

[54] SHOULDER PADS FOR FOOTBALL PLAYERS

[75] Inventor: Robert B. Dyer, Birmingham, Ala.

[73] Assignee: Vulcan Athletic Service Company, Inc., Leeds, Ala.

[**] Term: 14 Years

[21] Appl. No.: 577,519

[22] Filed: Feb. 6, 1984

[52] U.S. Cl. D2/27

[58] Field of Search D2/27; 2/2.5, 2

[56] References Cited

U.S. PATENT DOCUMENTS

1,970,130	8/1934	Dickenson	2/2
2,550,044	4/1951	Delsalle	D2/27 X
3,083,370	4/1963	Havey	2/2
3,528,106	9/1970	Austin	2/2

OTHER PUBLICATIONS

Rawlings Sports Catalog, f/w 81, p. 8, shoulder pads.

Primary Examiner—Bernard Ansher

Assistant Examiner—Terry Pfeffer

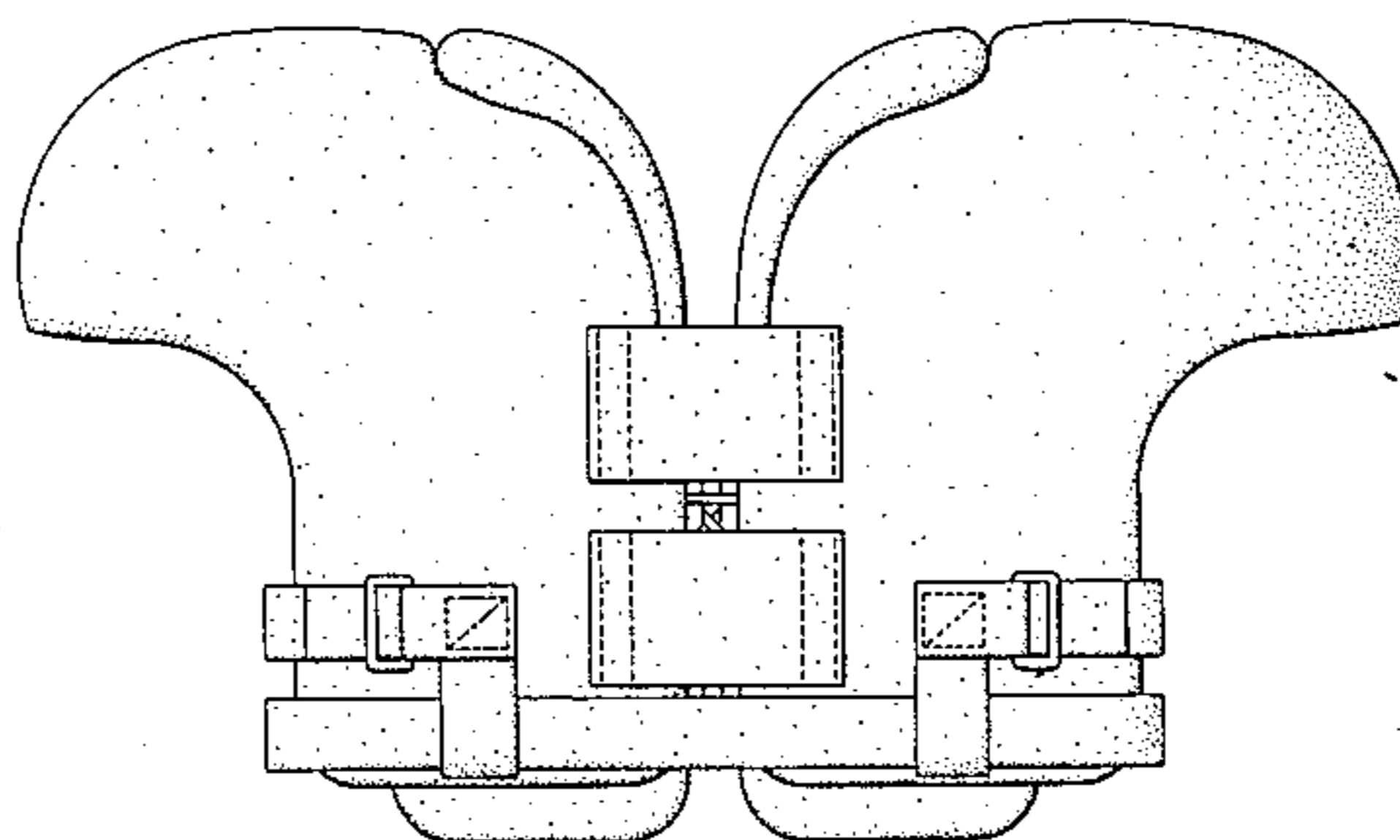
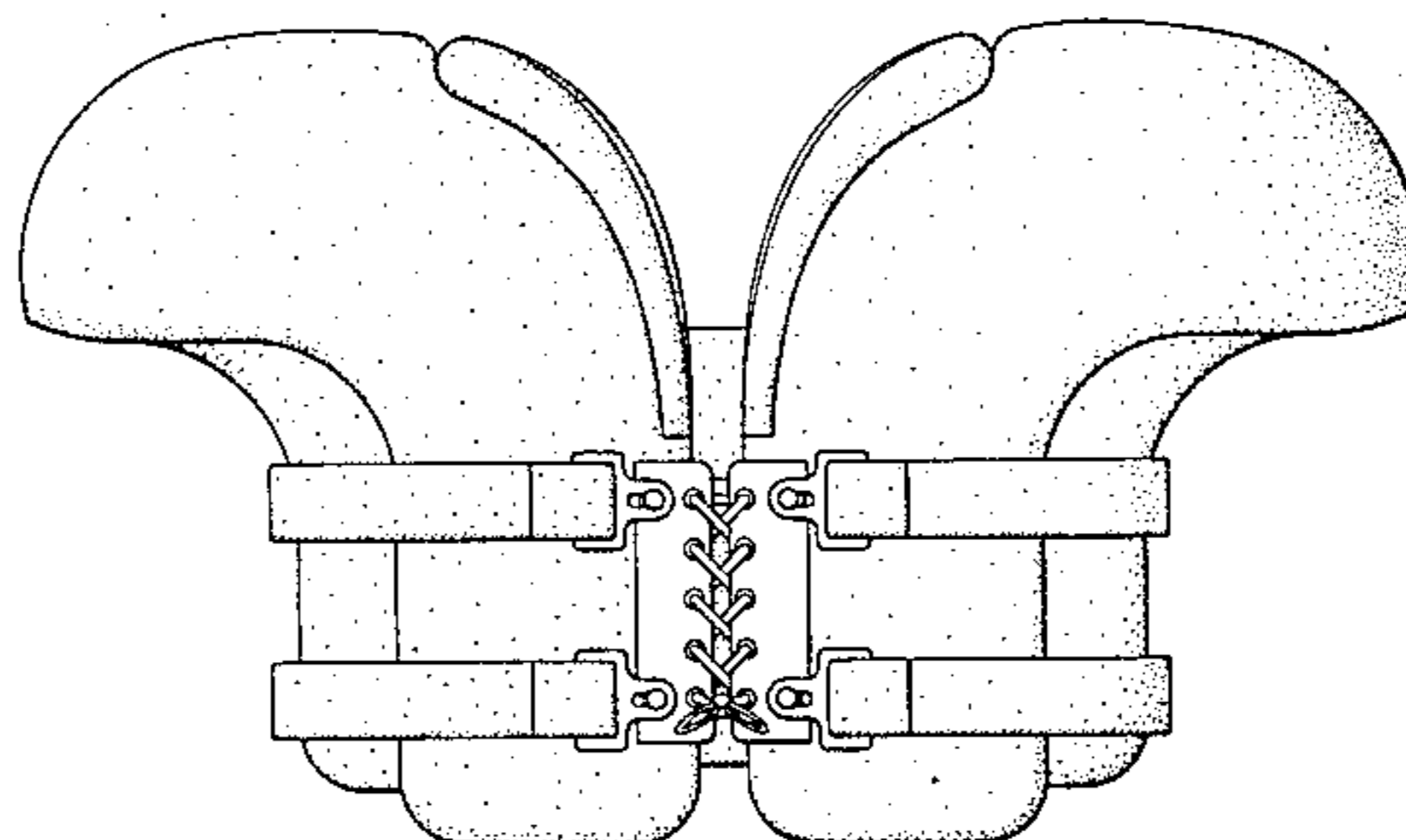
Attorney, Agent, or Firm—Jennings, Carter, Thompson & Veal

[57] CLAIM

The ornamental design for shoulder pads for football players, as shown and described.

DESCRIPTION

FIG. 1 is a front elevational view of shoulder pads for football players showing my new design; FIG. 2 is a rear elevational view thereof; FIG. 3 is a top plan view thereof; FIG. 4 is a bottom view thereof; and, FIG. 5 is a side elevational view thereof, the side not shown being a mirror image of the side shown.



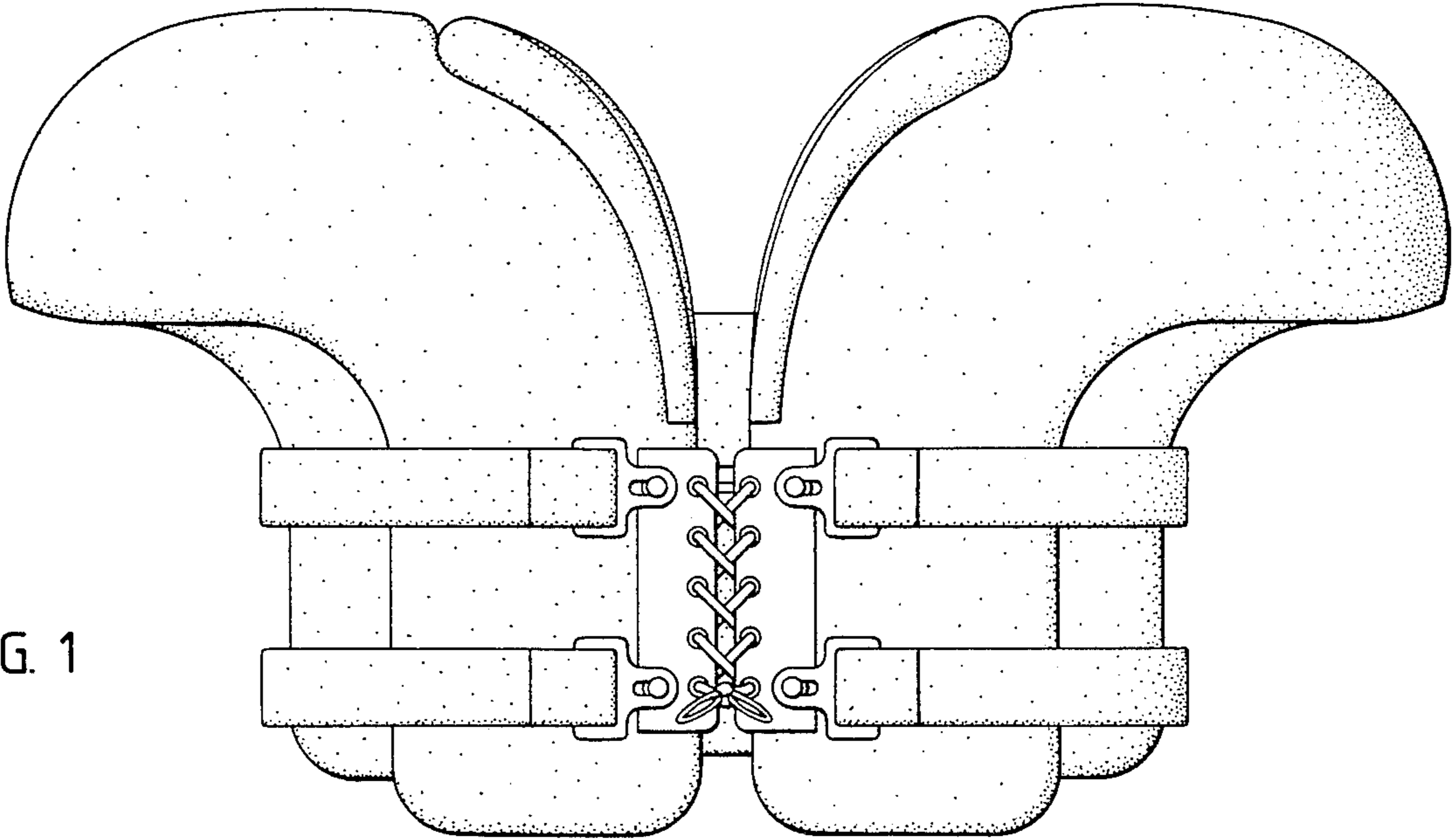


FIG. 1

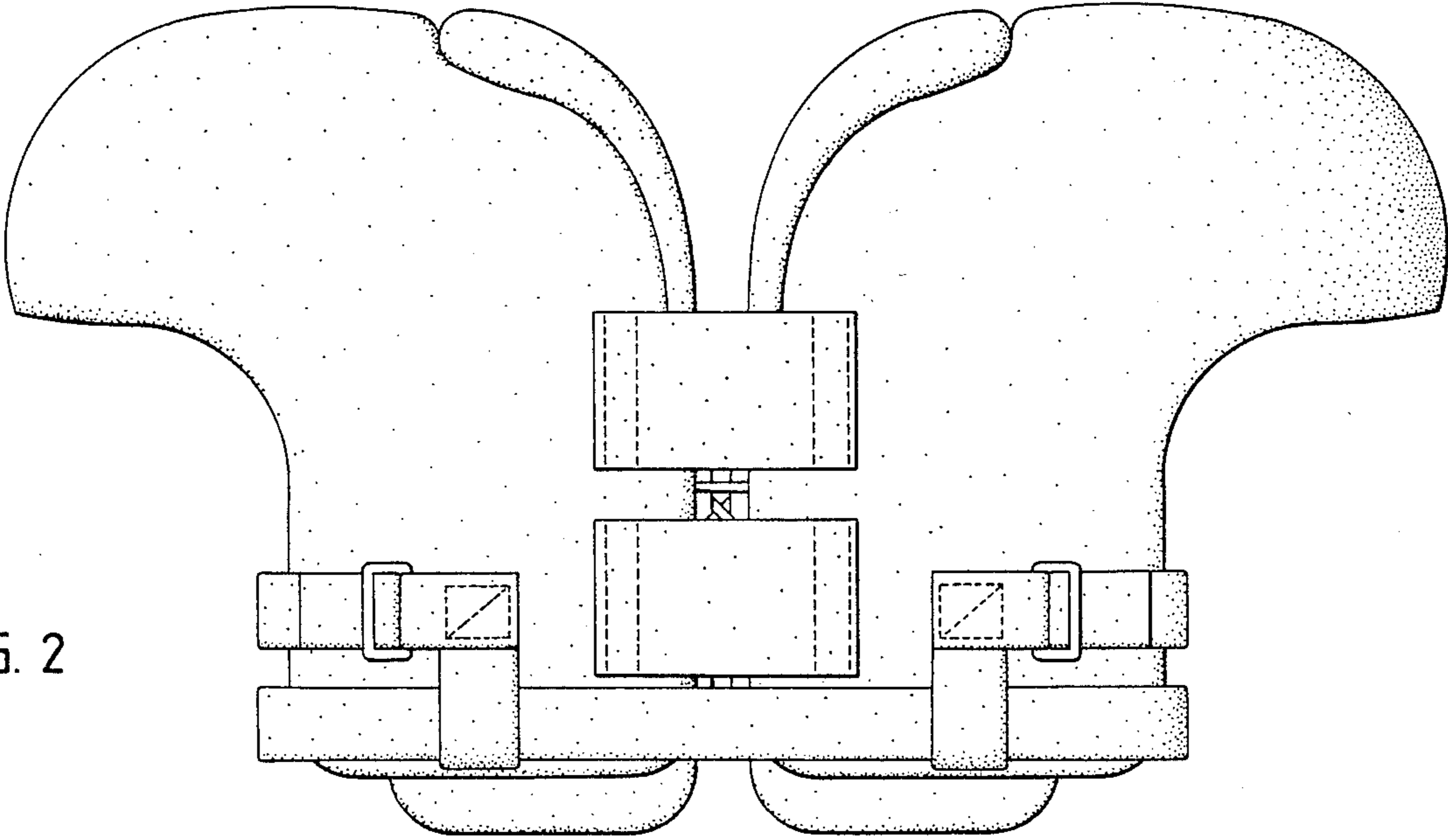


FIG. 2

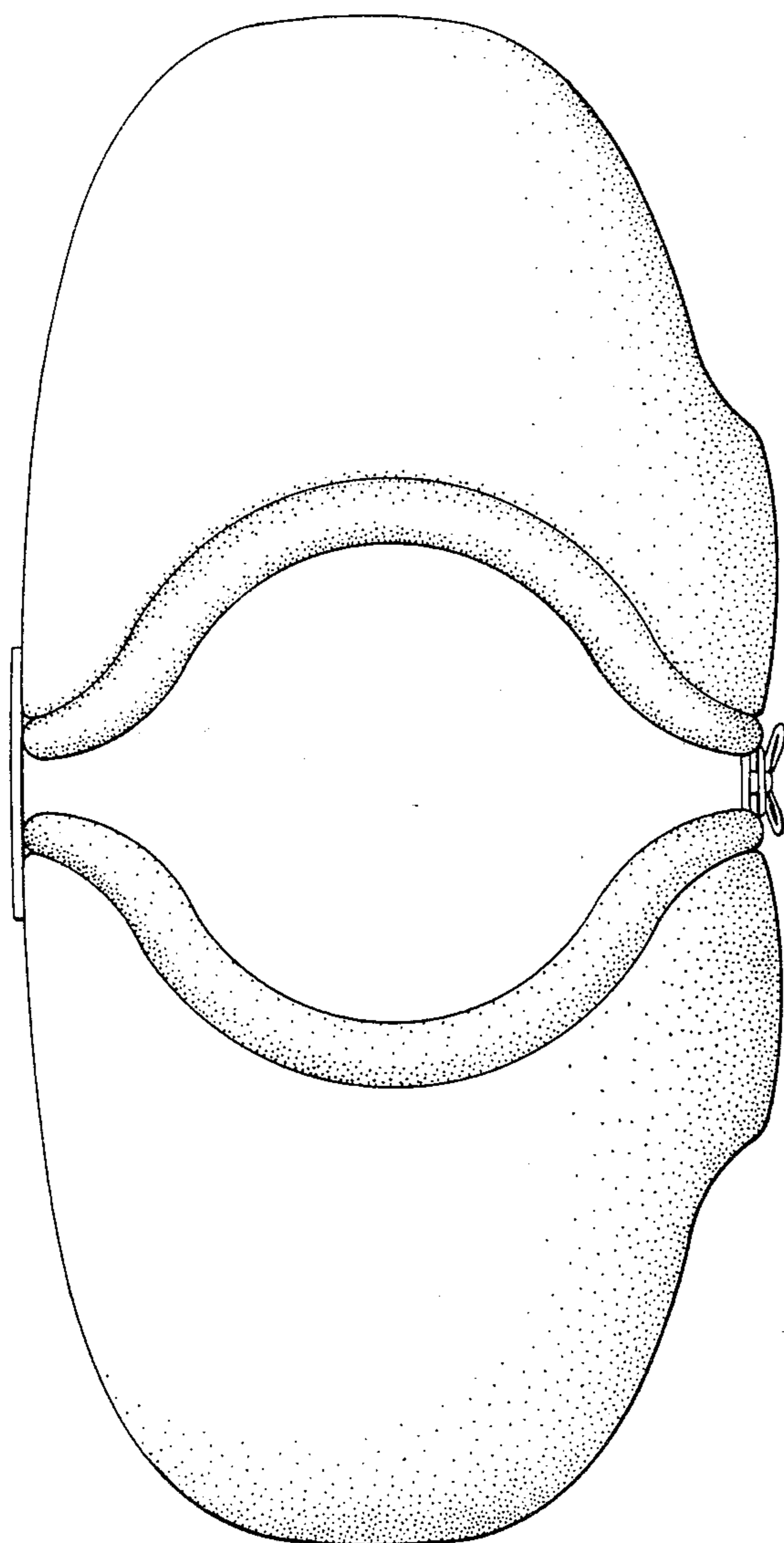
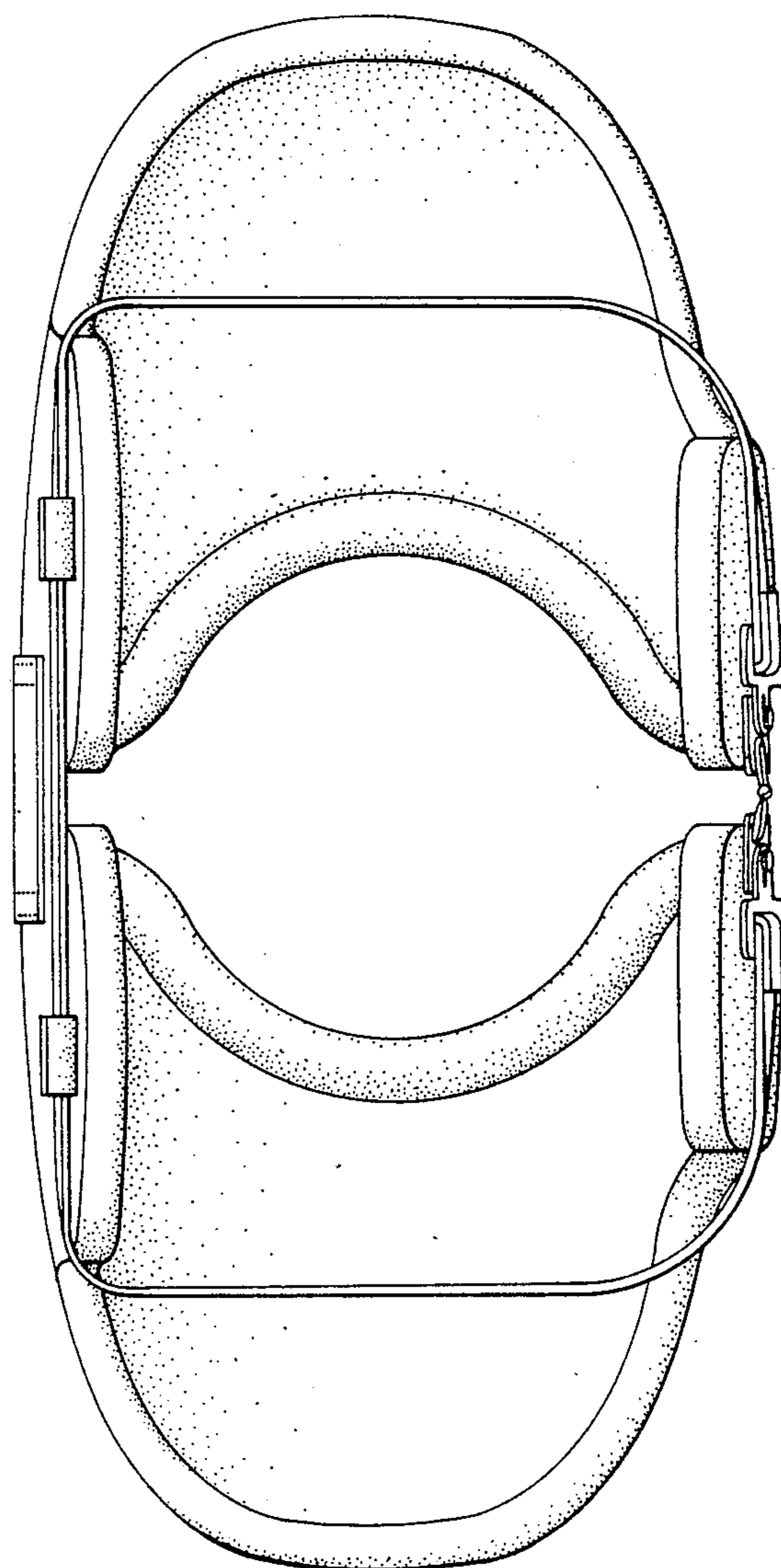


FIG. 3

FIG. 4



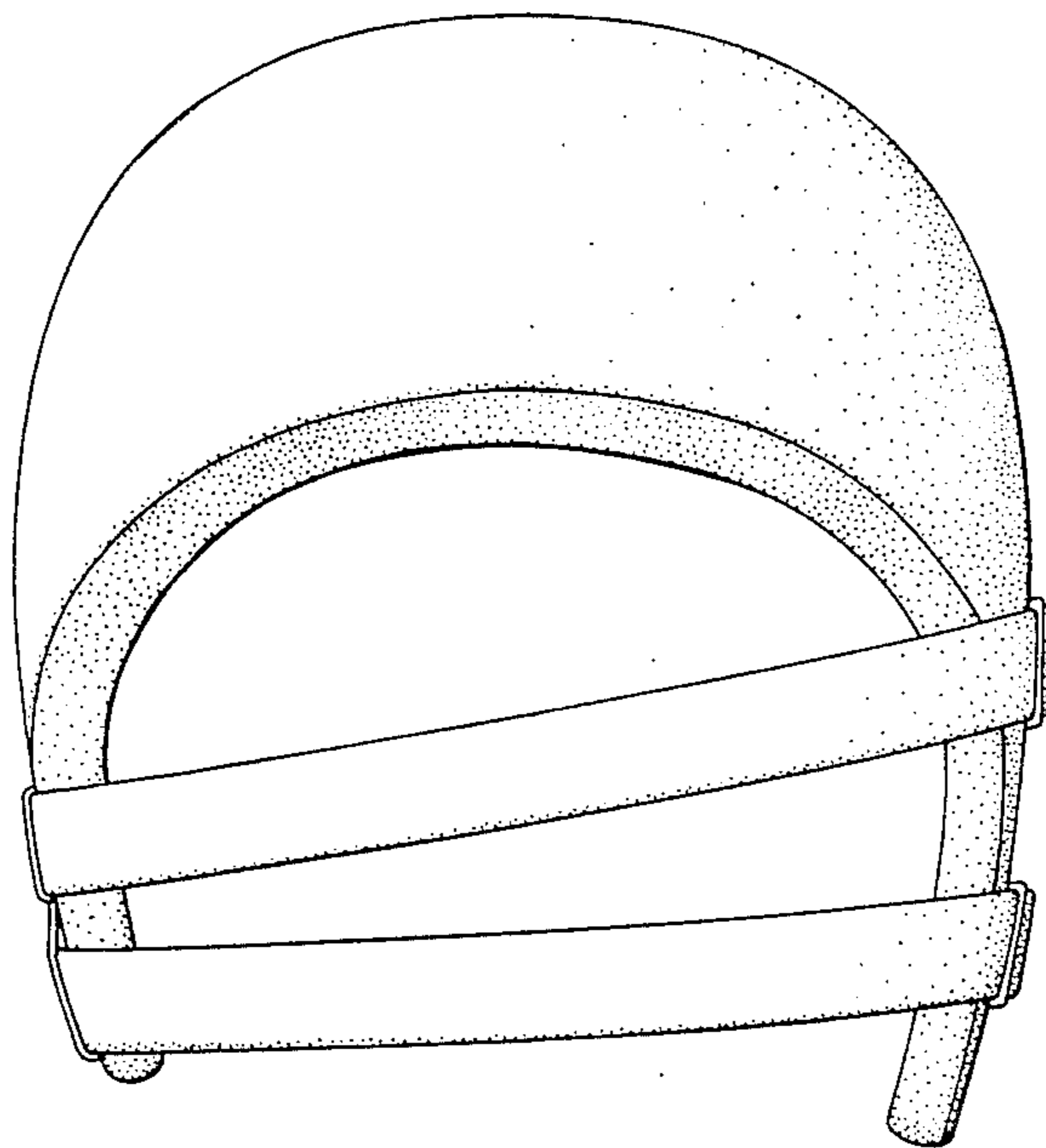


FIG. 5