

[54] **EXTENSION LADDER SHELF**

[76] **Inventor: Richard A. Dyer, 10115 NE. 16th St., Vancouver, Wash. 98664**

[**] **Term: 14 Years**

[21] **Appl. No.: 519,379**

[22] **Filed: Aug. 1, 1983**

[52] **U.S. Cl. D25/68**

[58] **Field of Search 182/120; D25/68, 69, D25/65**

[56] **References Cited**

U.S. PATENT DOCUMENTS

D. 273,996	5/1984	Rasler	D25/68
3,020,972	2/1962	Hockett	182/120 X
3,294,197	12/1966	Kwiatkowski	182/120
4,445,659	5/1984	LaChance	182/120 X

Primary Examiner—A. Hugo Word

Attorney, Agent, or Firm—Kolisich, Hartwell & Dickinson

[57] **CLAIM**

The ornamental design for an extension ladder shelf, as shown and described.

DESCRIPTION

FIG. 1 is a perspective view of an extension ladder shelf showing my new design;

FIG. 2 is a side elevation taken generally from the lower right quadrant of FIG. 1, which elevation is a reverse mirror image of an elevation taken generally from the upper left quadrant of FIG. 1;

FIG. 3 is a top plan view thereof;

FIG. 4 is a front elevation taken generally from the lower left quadrant of FIG. 1;

FIG. 5 is a bottom plan view thereof;

FIG. 6 is a back elevation taken generally from the upper right quadrant of FIG. 1.

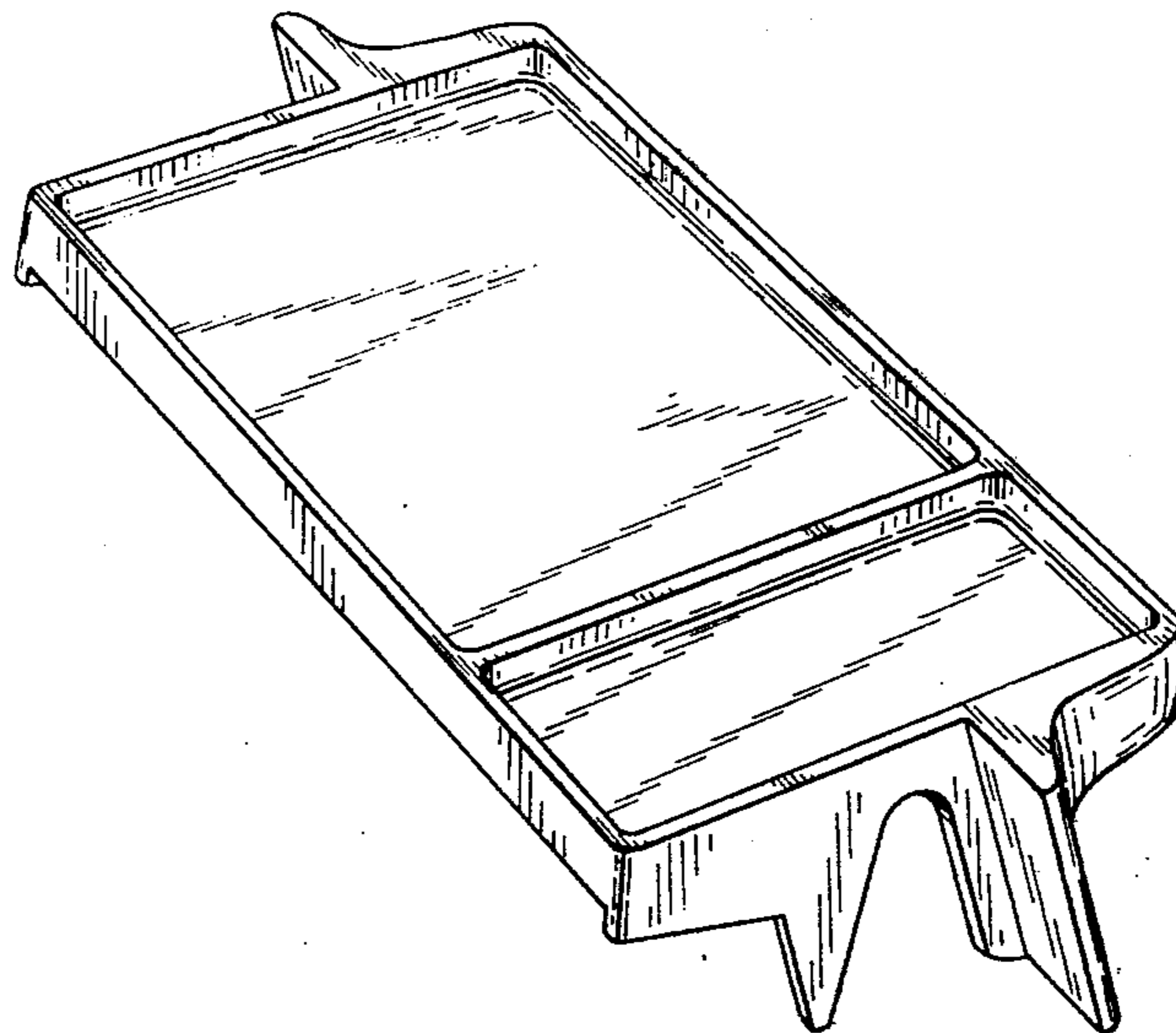


FIG. 2

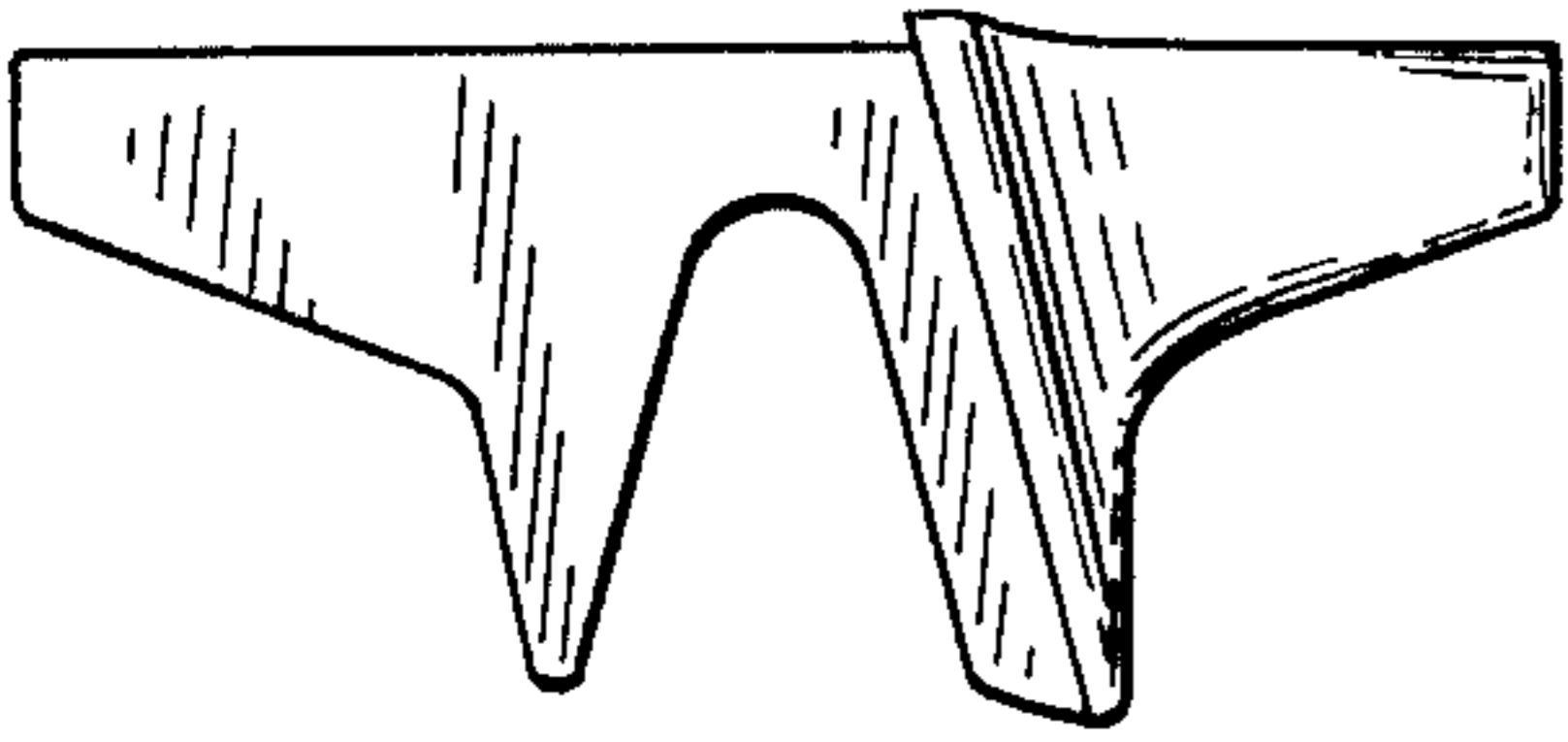


FIG. 1

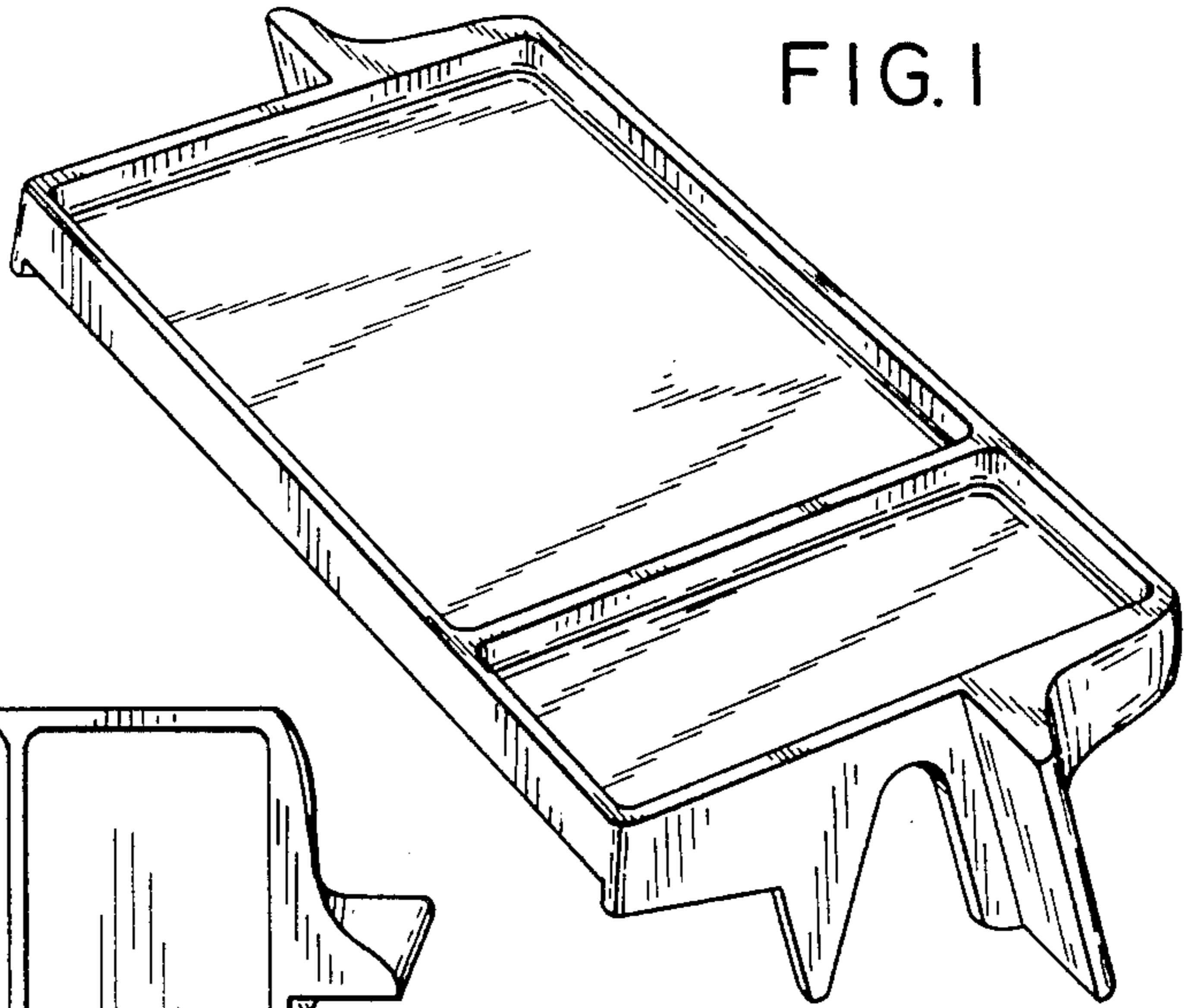


FIG. 3

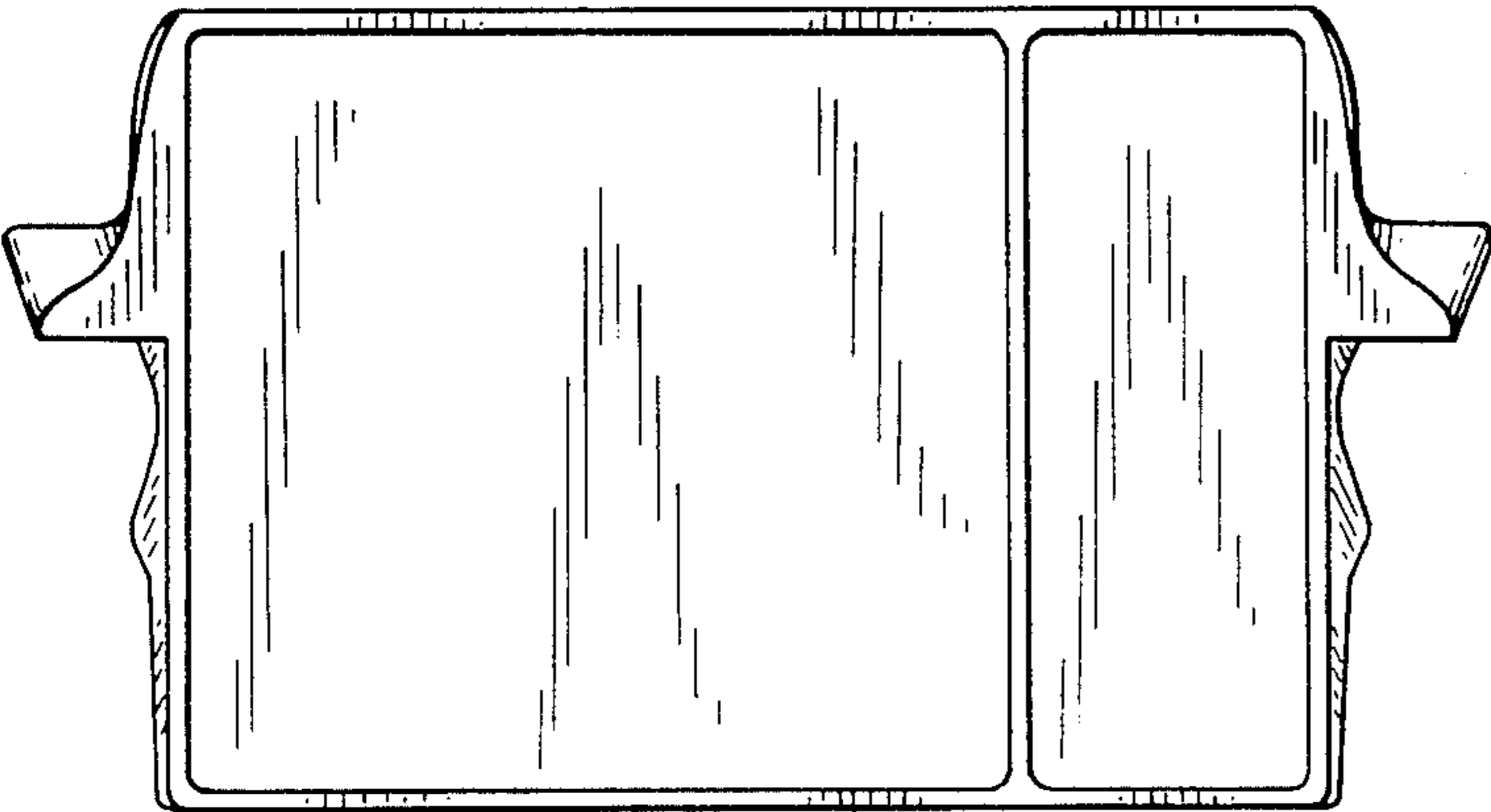


FIG. 4

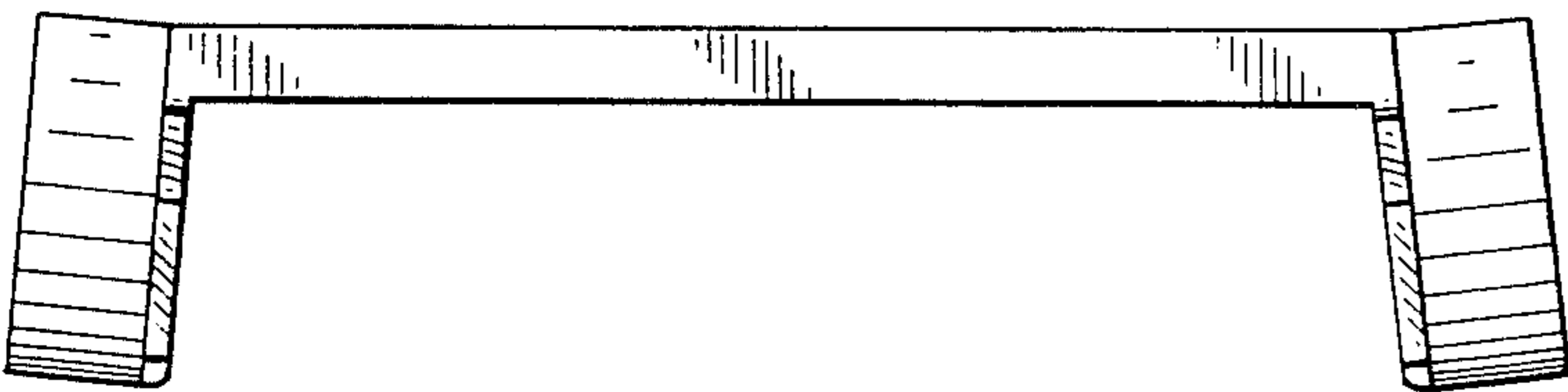


FIG. 5

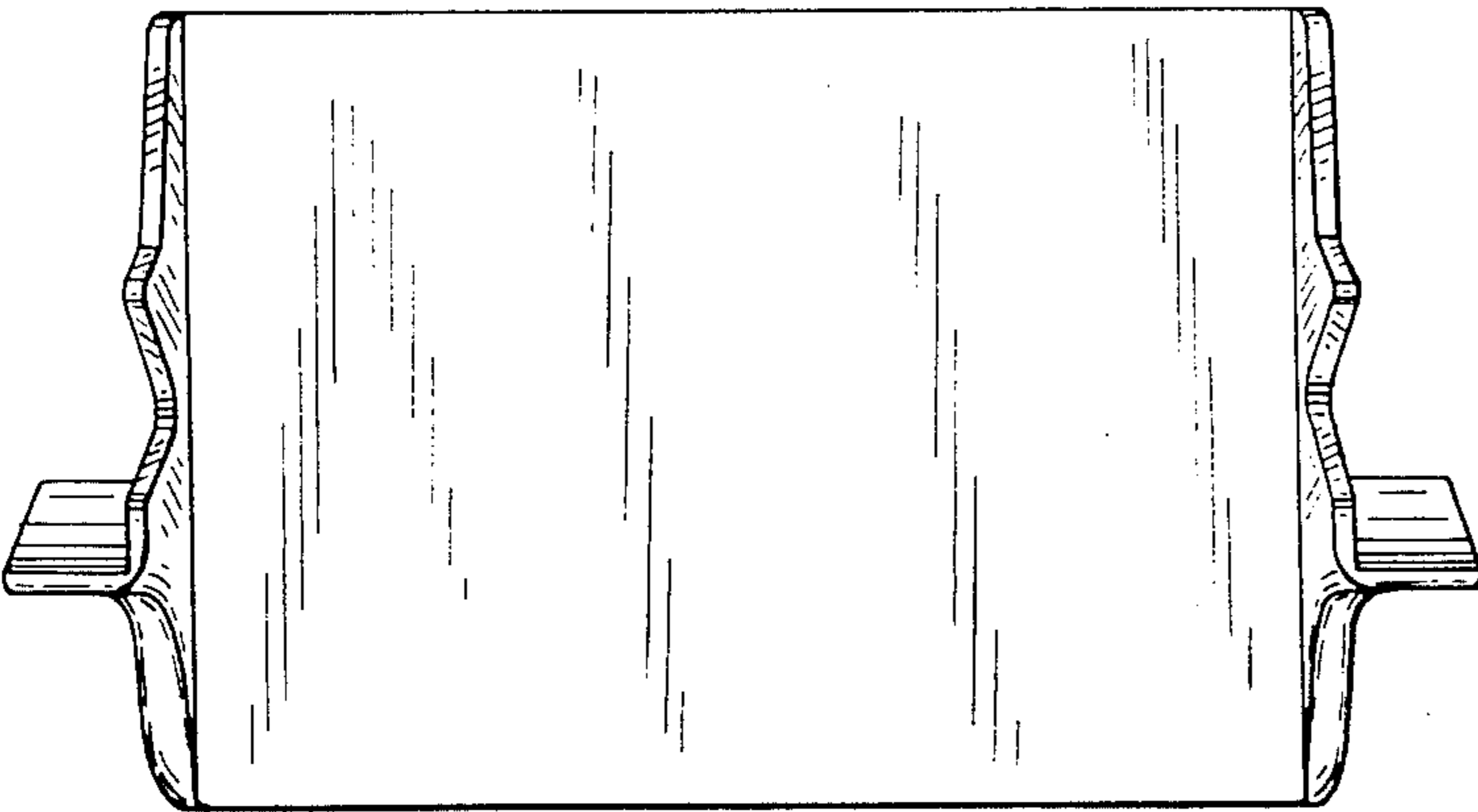


FIG. 6

