

United States Patent [19]

Smith

[11] Patent Number: **Des. 284,511**

[45] Date of Patent: **** Jul. 1, 1986**

[54] **FARE COLLECTION GATE**

[75] Inventor: **Billy G. Smith, Lakeside, Calif.**

[73] Assignee: **Cubic Western Data, San Diego, Calif.**

[**] Term: **14 Years**

[21] Appl. No.: **603,170**

[22] Filed: **Apr. 23, 1984**

[52] U.S. Cl. **D25/51**

[58] Field of Search **D25/51; 49/47**

[56] **References Cited**

U.S. PATENT DOCUMENTS

D. 234,431 3/1975 McGehee et al. **D25/51**

D. 275,797 10/1984 Nishida **D25/51**
3,445,962 5/1969 Byland et al. **49/47**
3,998,008 12/1976 Collins **49/47**

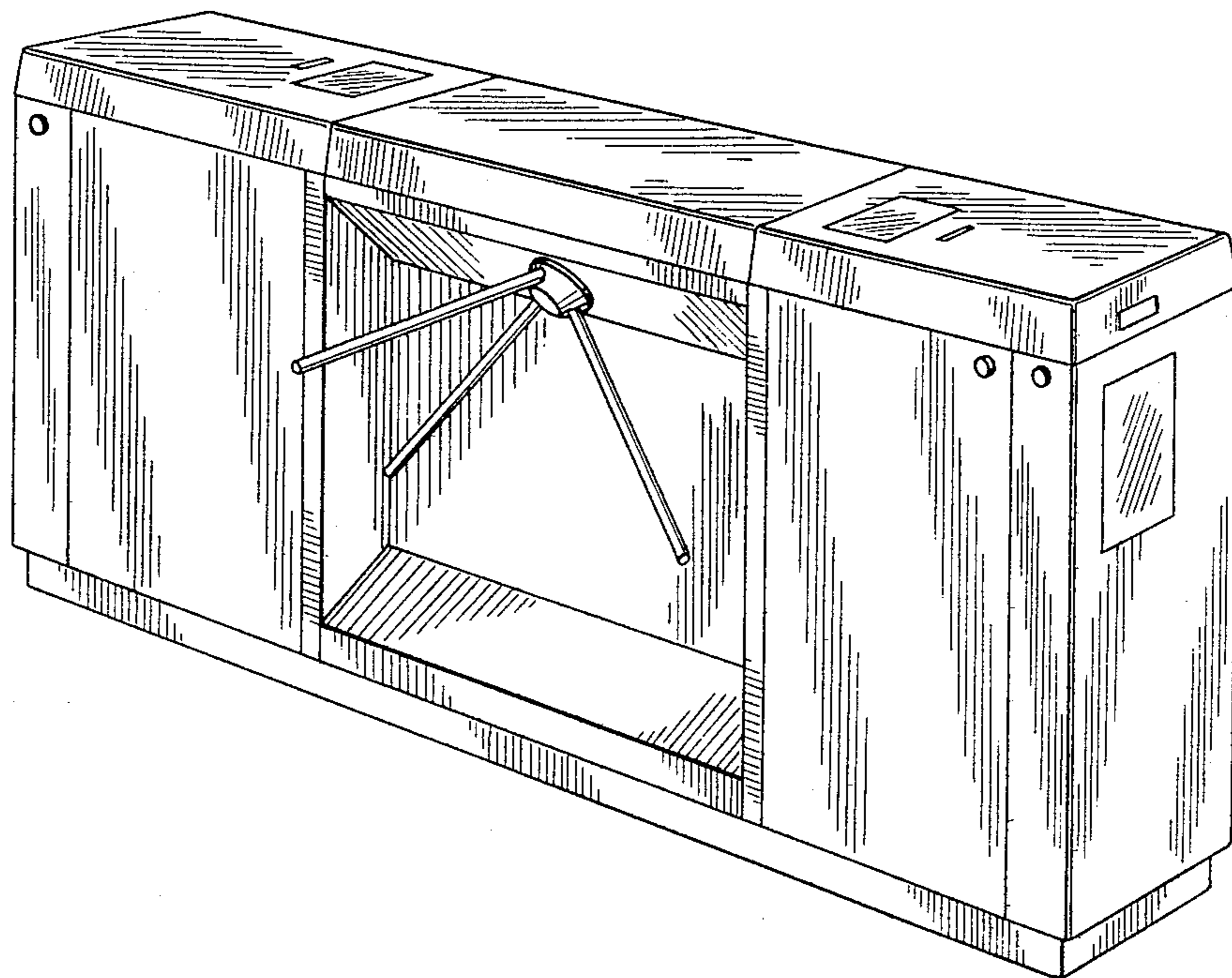
Primary Examiner—A. Hugo Word
Attorney, Agent, or Firm—Brown, Martin & Haller

[57] **CLAIM**

The ornamental design for a fare collection gate, substantially as shown.

DESCRIPTION

FIG. 1 is a perspective view of a fare collection gate, showing my new design;
FIG. 2 is a rear elevational view thereof;
FIG. 3 is a front elevational view thereof;
FIG. 4 is a top plan view thereof; and
FIG. 5 is an end view thereof.



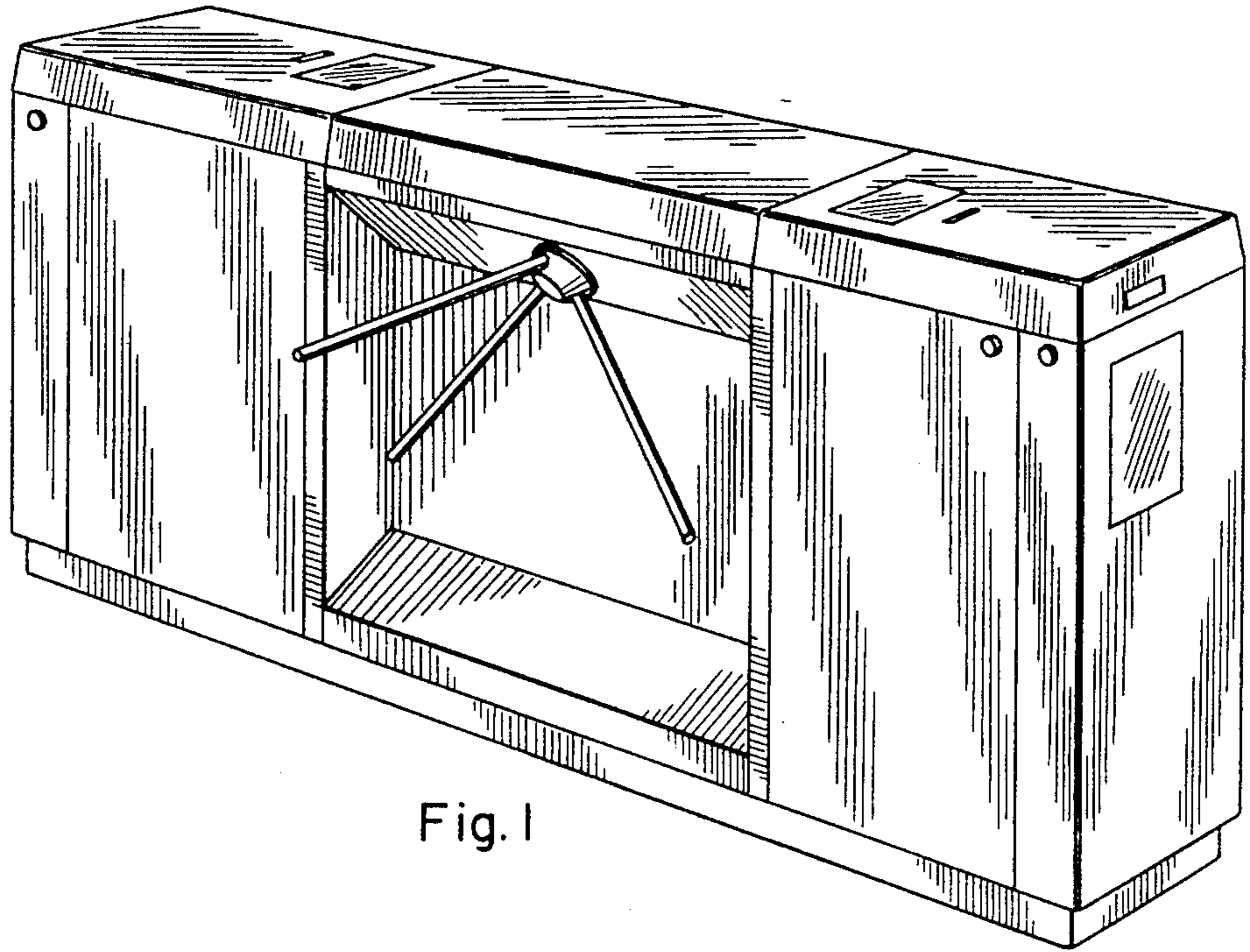


Fig. 1

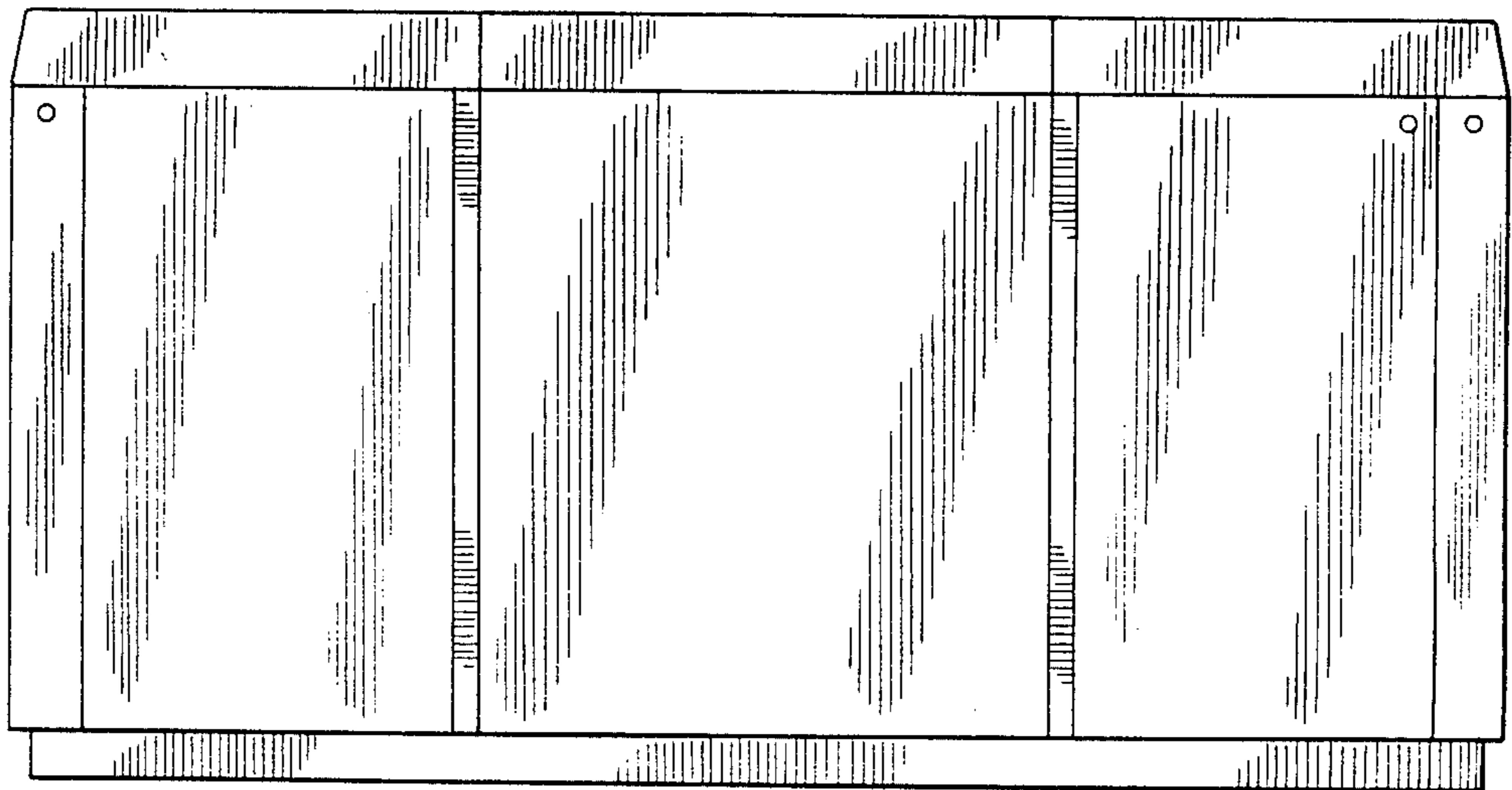


Fig. 2

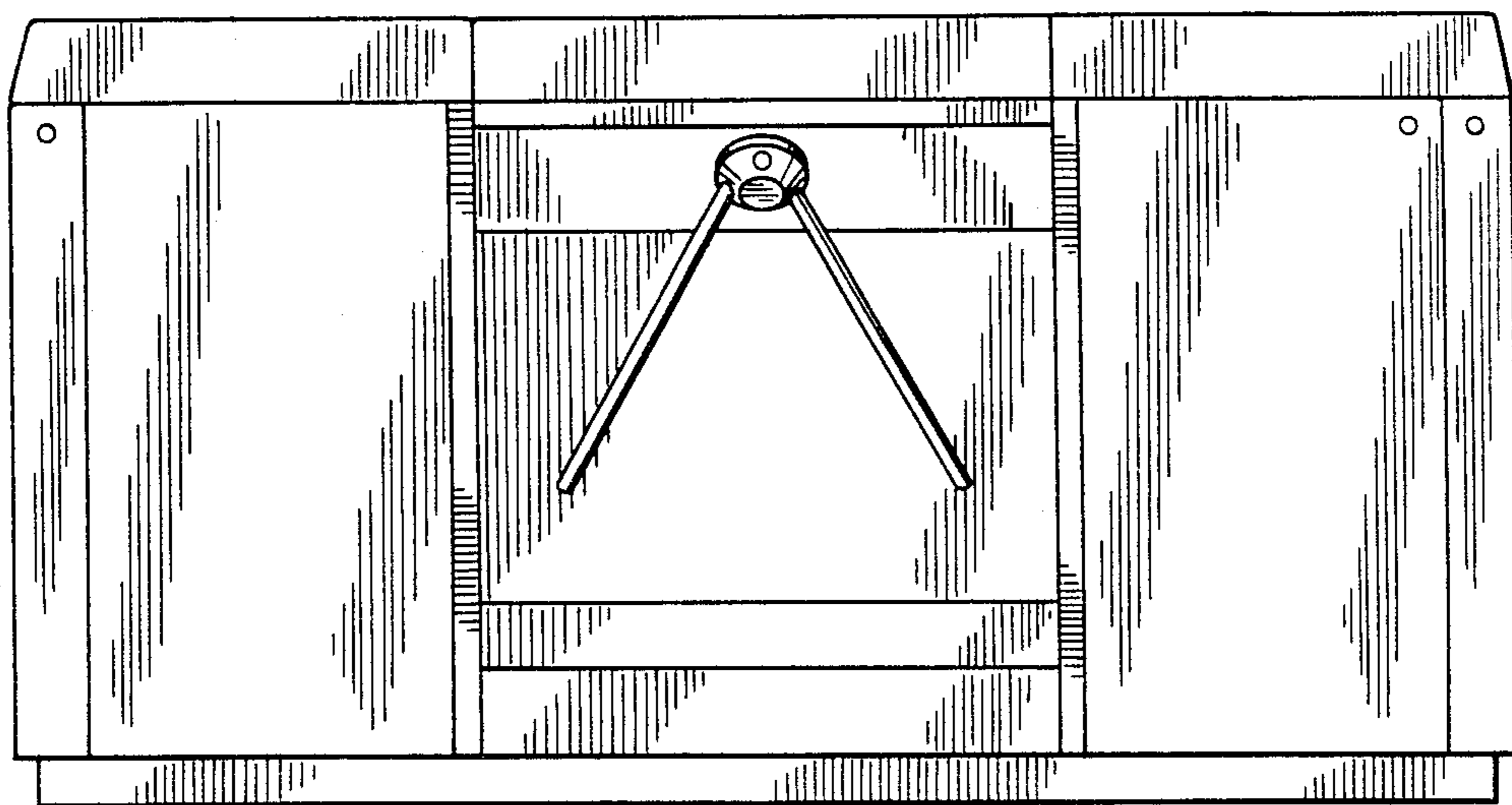


Fig. 3



Fig. 4

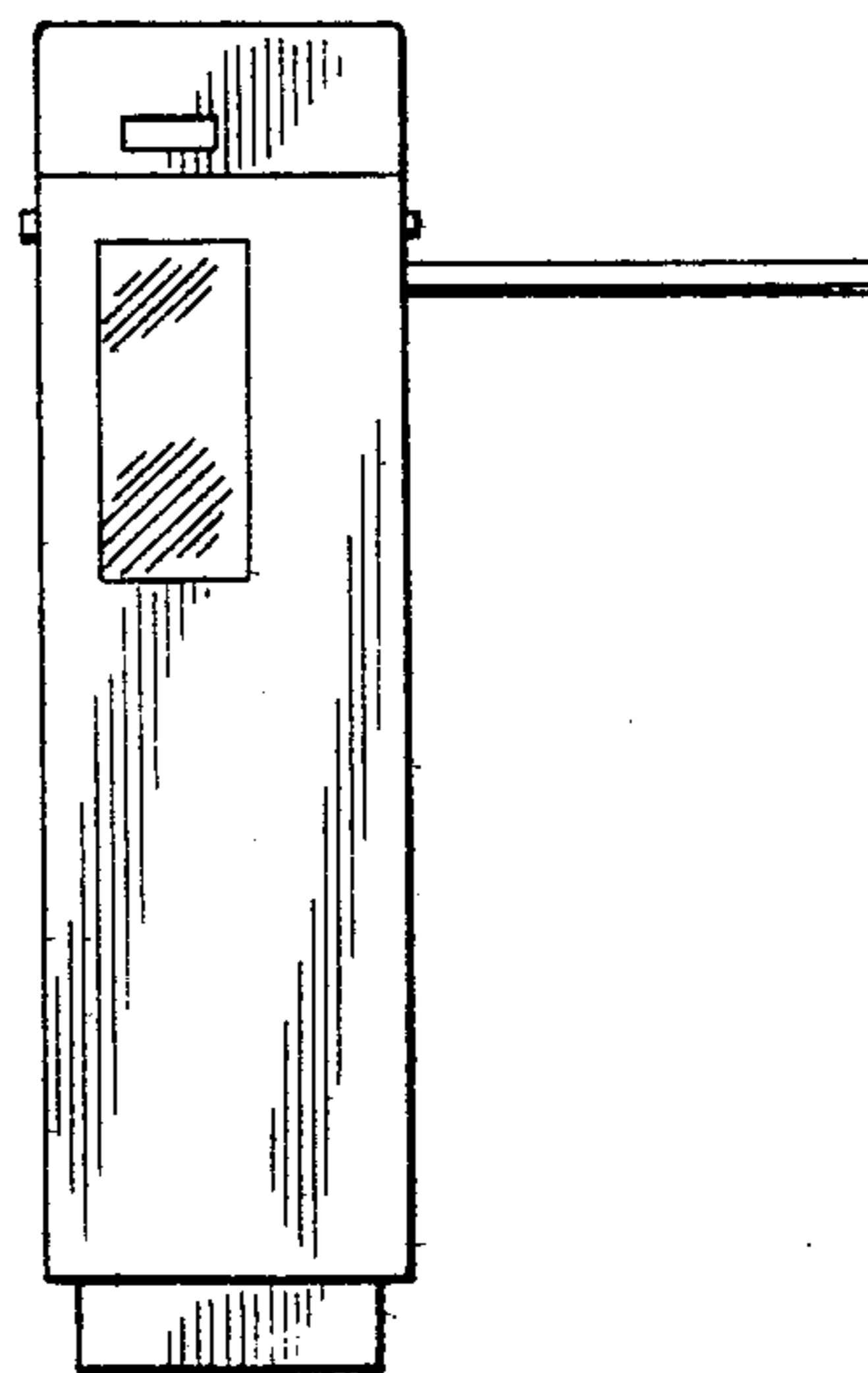
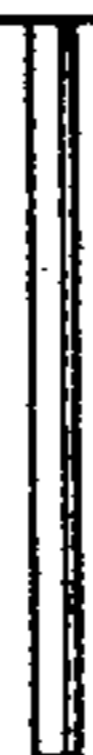


Fig. 5