

[54] TONOMETER

[76] Inventor: Ikuya Enatsu, No. 12-6, Saginomiya 5-chome, Nakano-ku, Tokyo, Japan

[**] Term: 14 Years

[21] Appl. No.: 553,406

[22] Filed: Nov. 21, 1983

[30] Foreign Application Priority Data

May 30, 1983 [JP] Japan 58-22697

[52] U.S. Cl. D24/21; 128/685; 128/680; D24/17

[58] Field of Search D24/20-21, D24/23, 29, 30, 8, 17; 73/748-749, 731, 389; 128/662, 677-678, 680, 685, 645; 181/131

[56] References Cited

U.S. PATENT DOCUMENTS

D. 268,522	4/1983	Tamm	D24/8
D. 269,905	7/1983	Tamm	D24/8
D. 280,017	8/1985	Camens	D24/17
3,896,791	7/1975	Ono	128/680
4,248,242	2/1981	Tamm	128/685

Primary Examiner—Wallace R. Burke
Assistant Examiner—Brian N. Vinson
Attorney, Agent, or Firm—Steinberg & Raskin

[57] CLAIM

The ornamental design for a tonometer, as shown.

DESCRIPTION

FIG. 1 is a top plan view of a tonometer showing my new design;
FIG. 2 is a front view thereof;
FIG. 3 is a right side view thereof;
FIG. 4 is a rear view thereof;
FIG. 5 is a left side view thereof; and
FIG. 6 is a bottom plan view thereof.

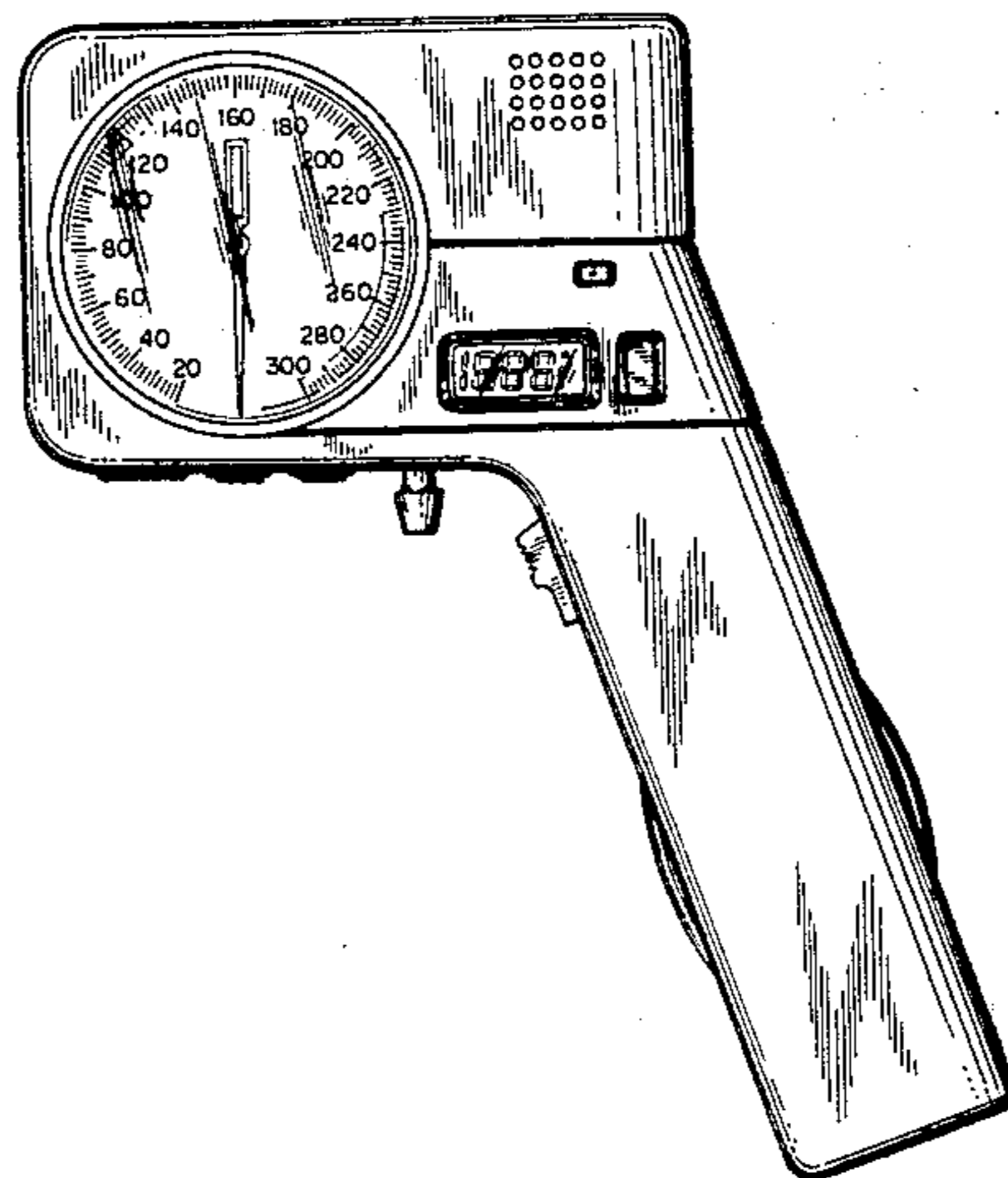


FIG. 1

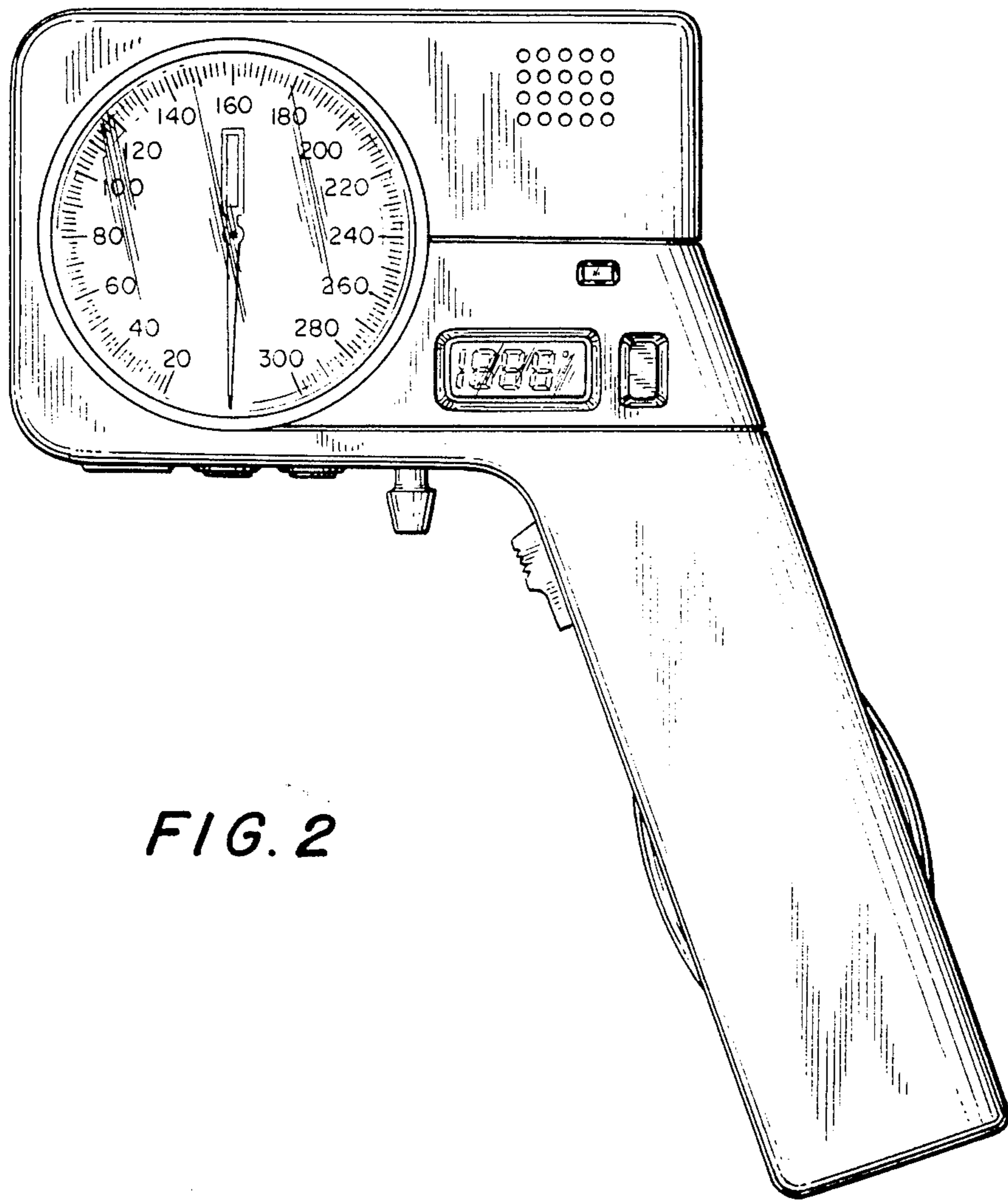
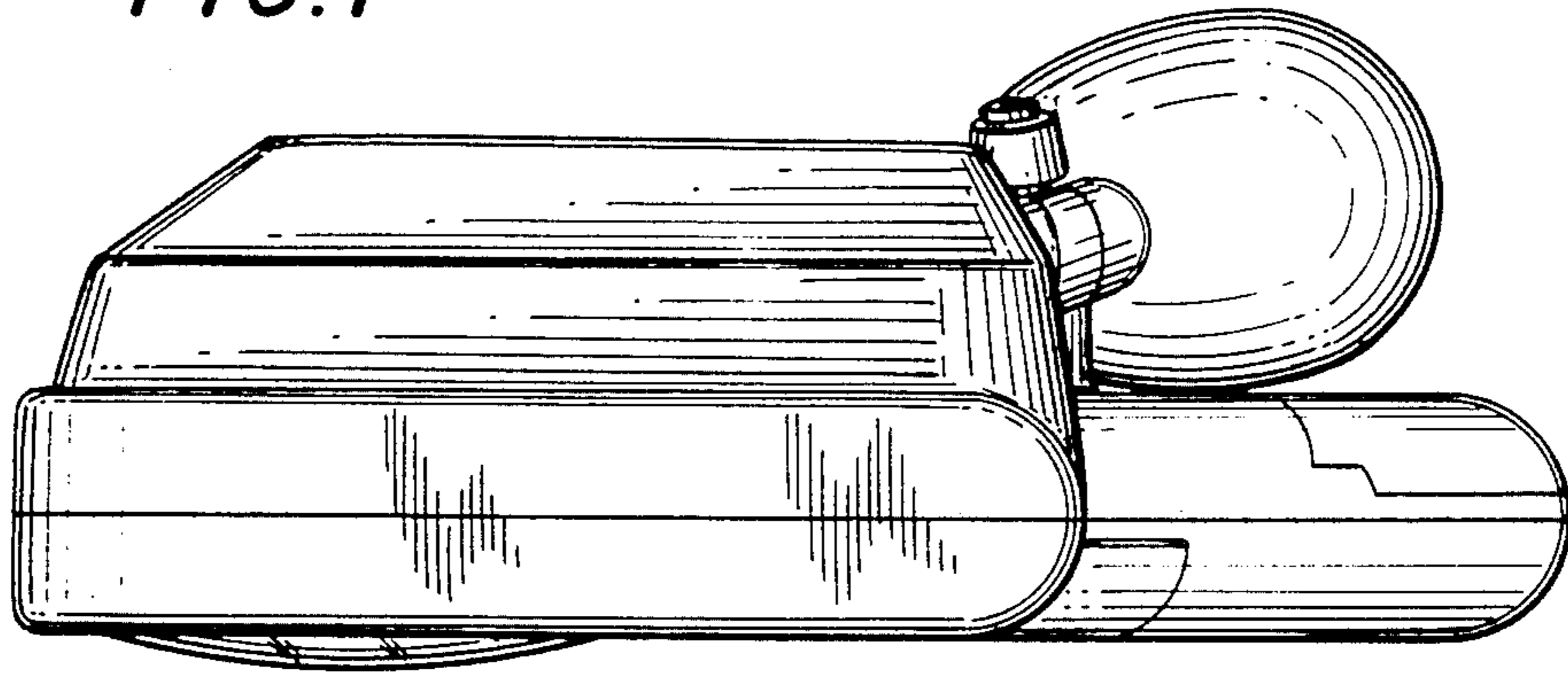


FIG. 2

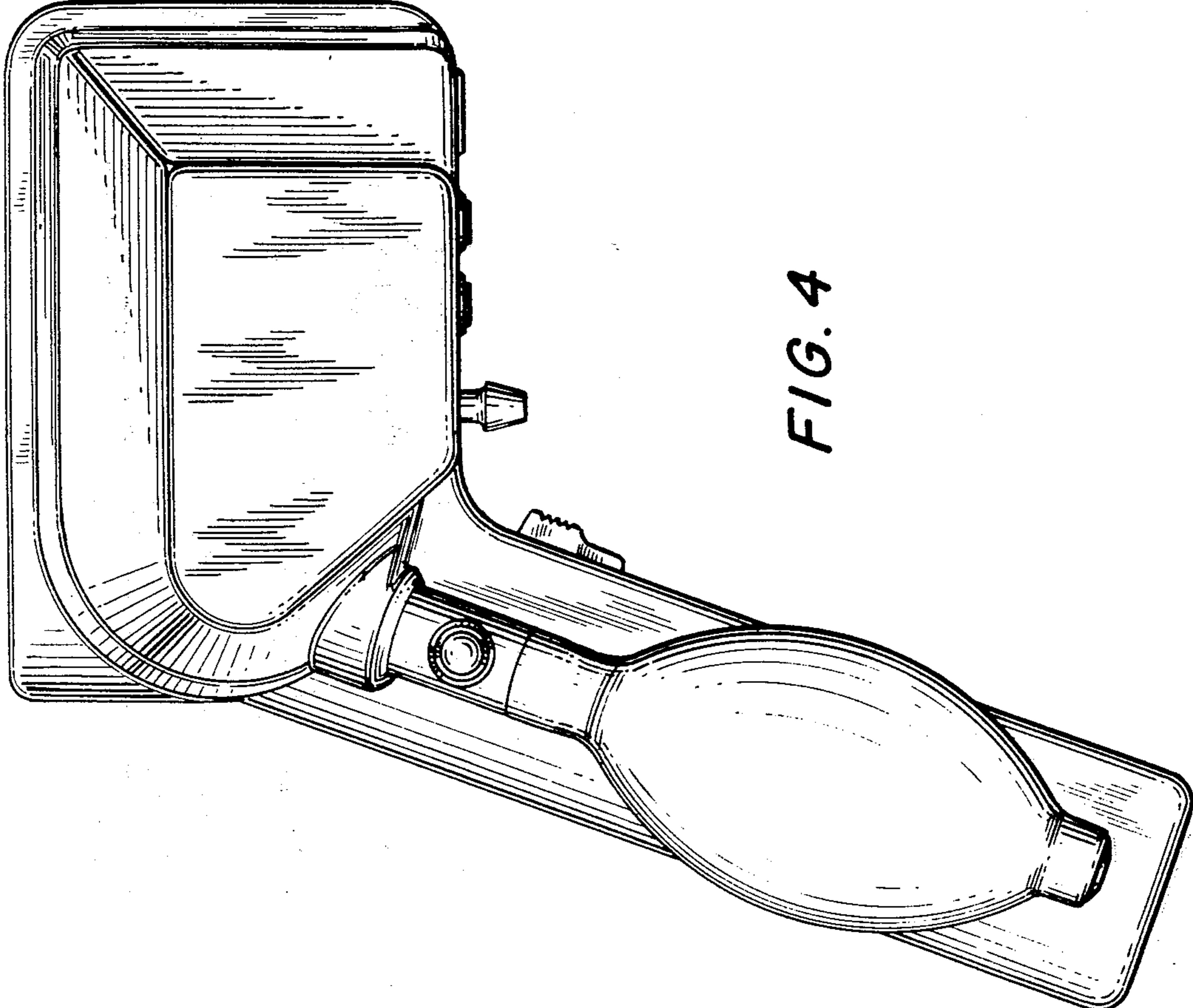


FIG. 4

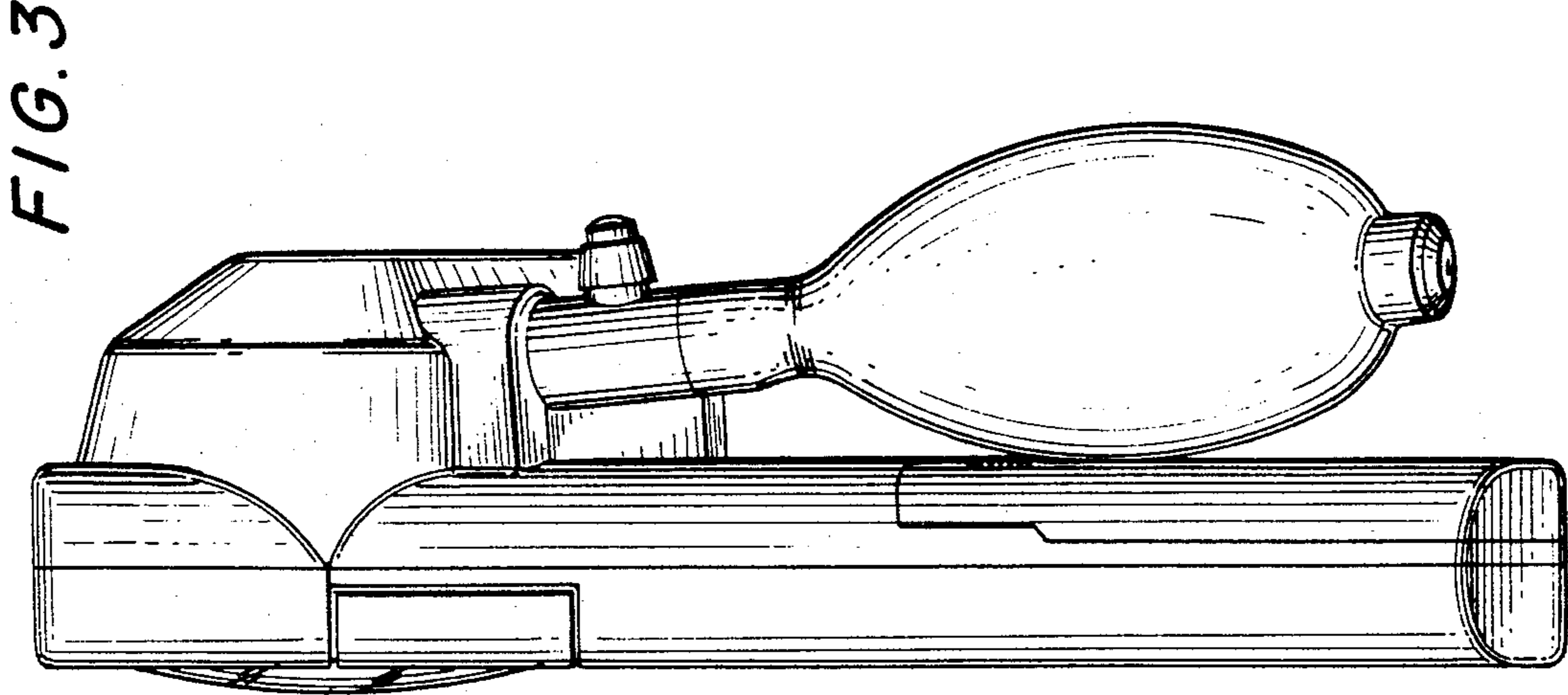


FIG. 3

FIG. 5

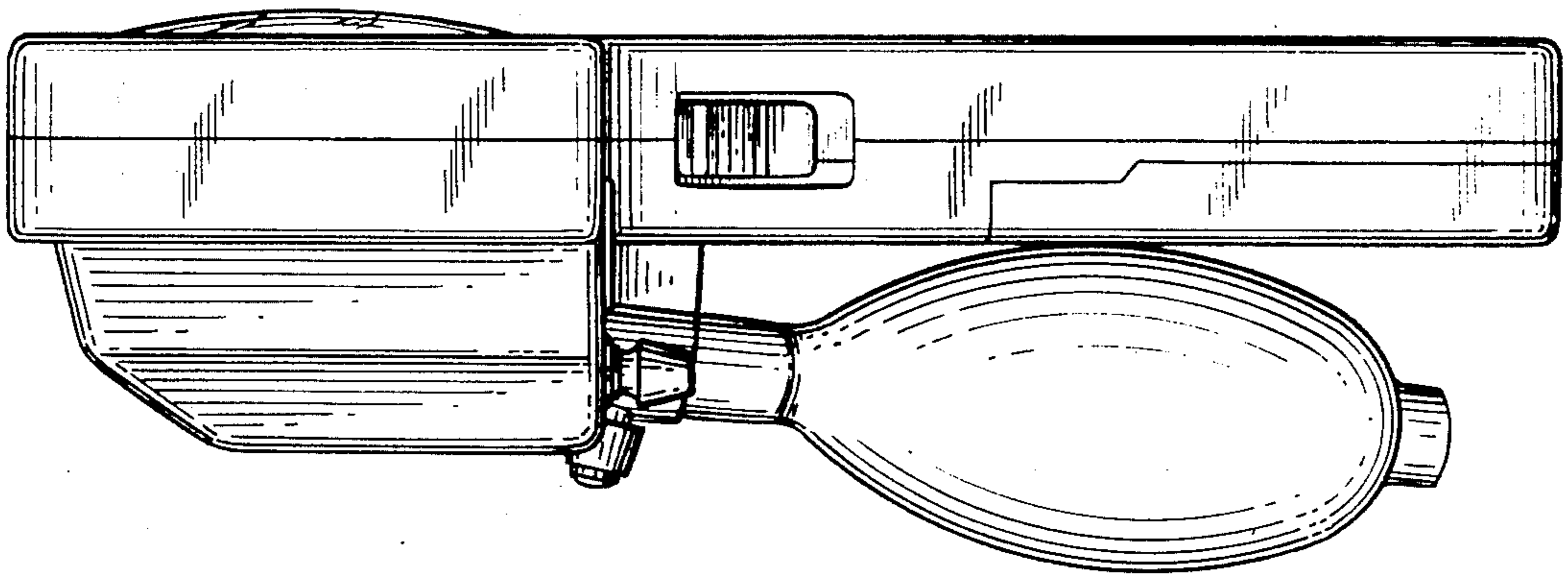


FIG. 6

