

[54] **FAUCET**

[75] **Inventor: Holly K. Yost, Van Nuys, Calif.**

[73] **Assignee: Price Pfister, Inc., Pacoima, Calif.**

[\*\*] **Term: 14 Years**

[21] **Appl. No.: 507,524**

[22] **Filed: Jun. 24, 1983**

[52] **U.S. Cl. .... D23/25**

[58] **Field of Search ..... D23/23-32;  
4/191, 192; 137/606, 801; 251/155**

[56] **References Cited**

**U.S. PATENT DOCUMENTS**

D. 181,595	12/1957	McLean .....	D23/26
D. 187,846	5/1960	Brown .....	D23/26
D. 200,042	1/1965	Mackey et al. ....	D23/25
D. 237,615	11/1975	Saporito et al. ....	D23/25
4,290,445	9/1981	Turner .....	137/801 X

**OTHER PUBLICATIONS**

Domestic Engineering, Aug. 1979, p. 69, top right Faucet.

Domestic Engineering, Sep. 1981, p. 63, top left Faucet.

*Primary Examiner*—James R. Largen

*Attorney, Agent, or Firm*—Fred Flam

[57] **CLAIM**

The ornamental design for faucet, substantially as shown and described.

**DESCRIPTION**

FIG. 1 is a perspective view of a faucet showing my new design;

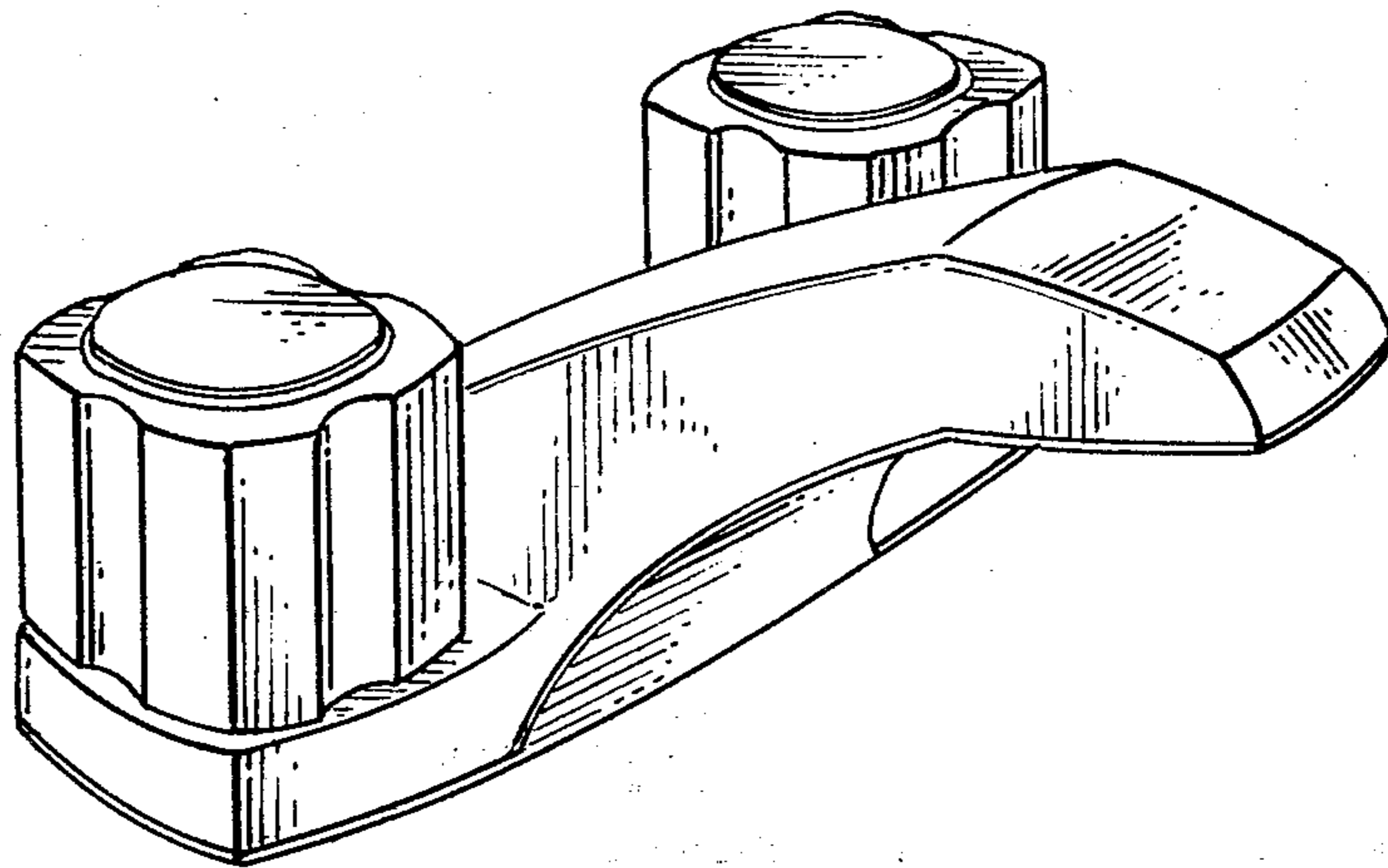
FIG. 2 is a top plan view thereof;

FIG. 3 is a front elevational view thereof;

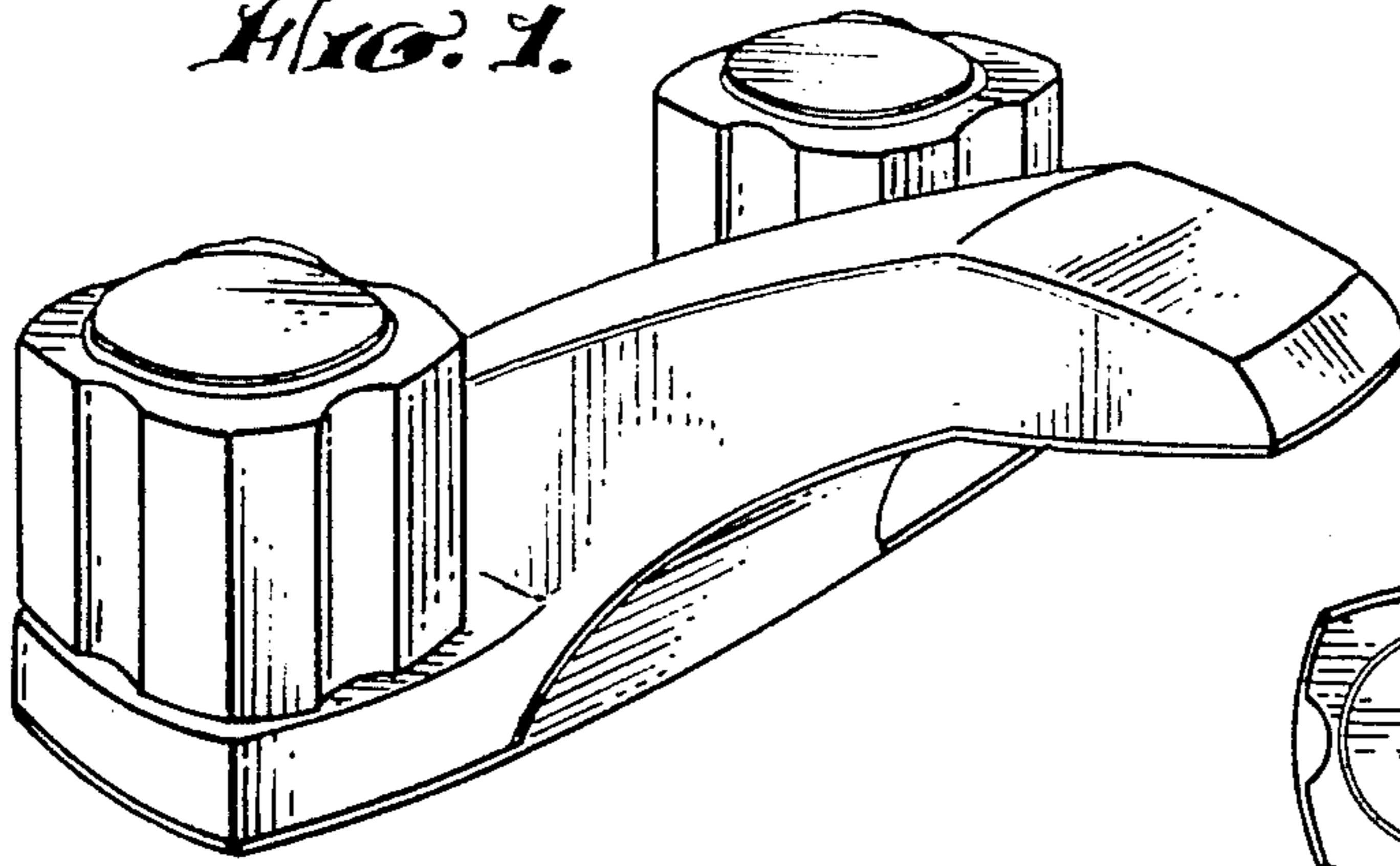
FIG. 4 is a left side elevational view thereof;

FIG. 5 is a right side elevational view thereof; and

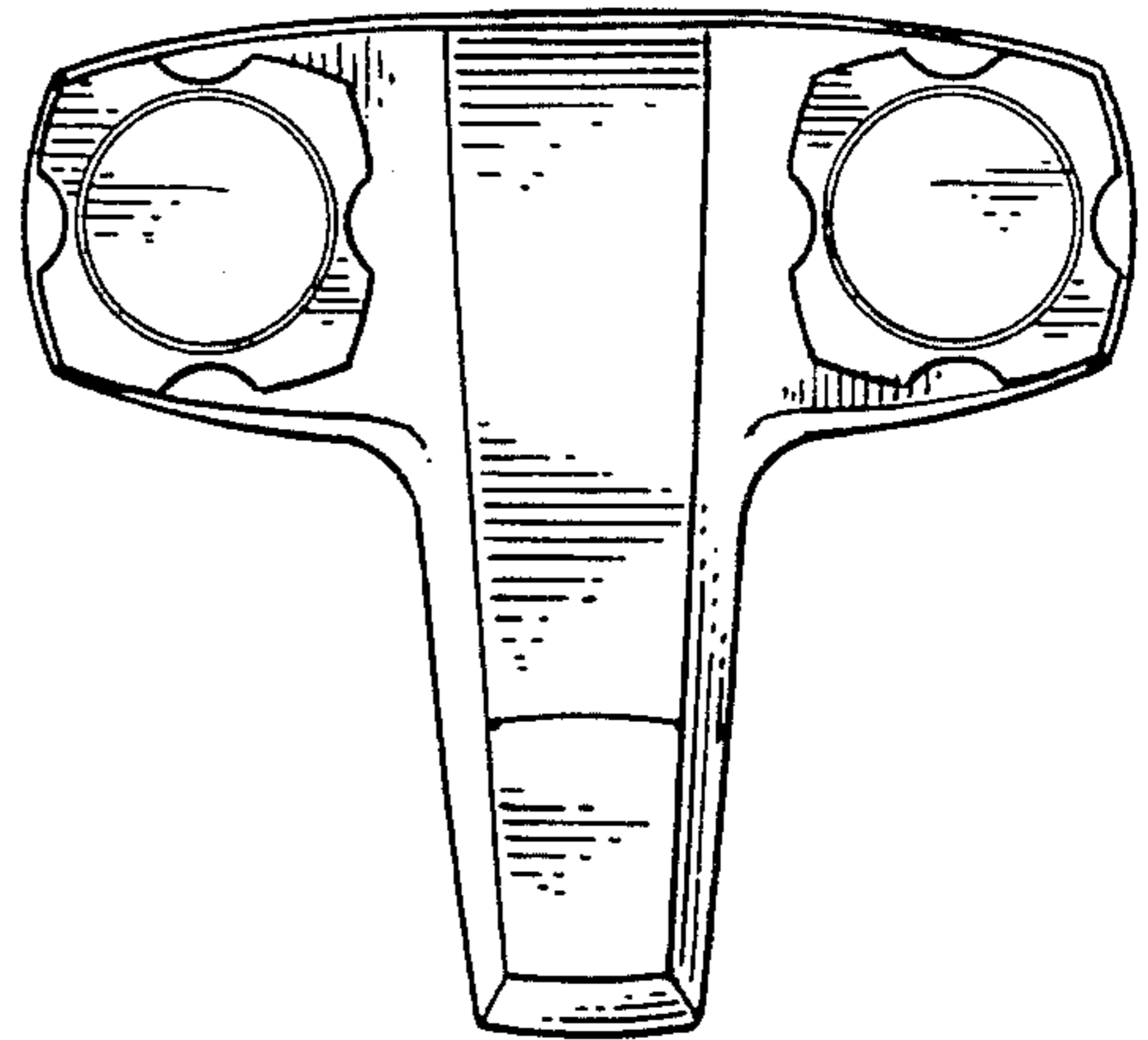
FIG. 6 is a rear elevational view thereof.



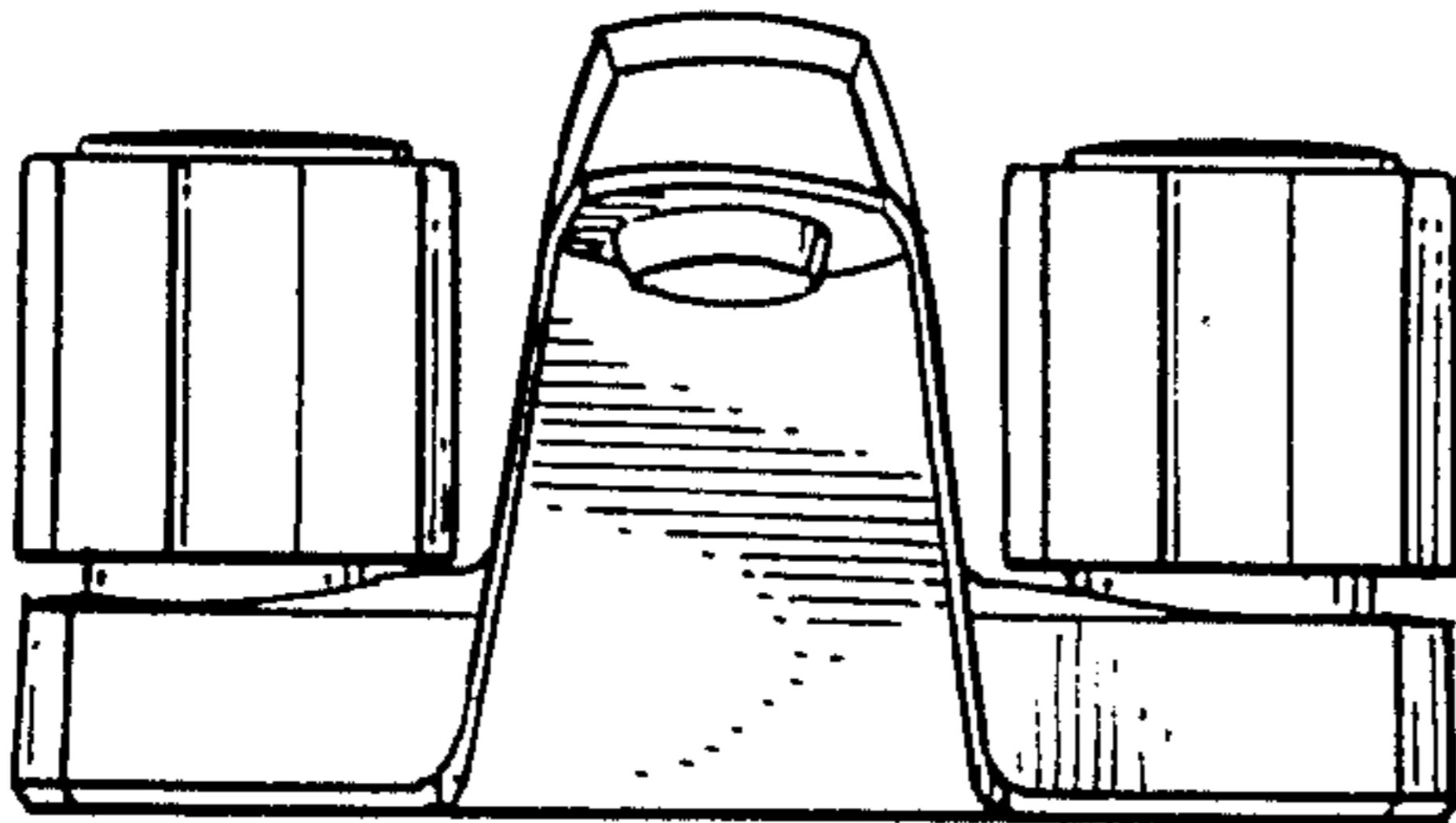
*FIG. 1.*



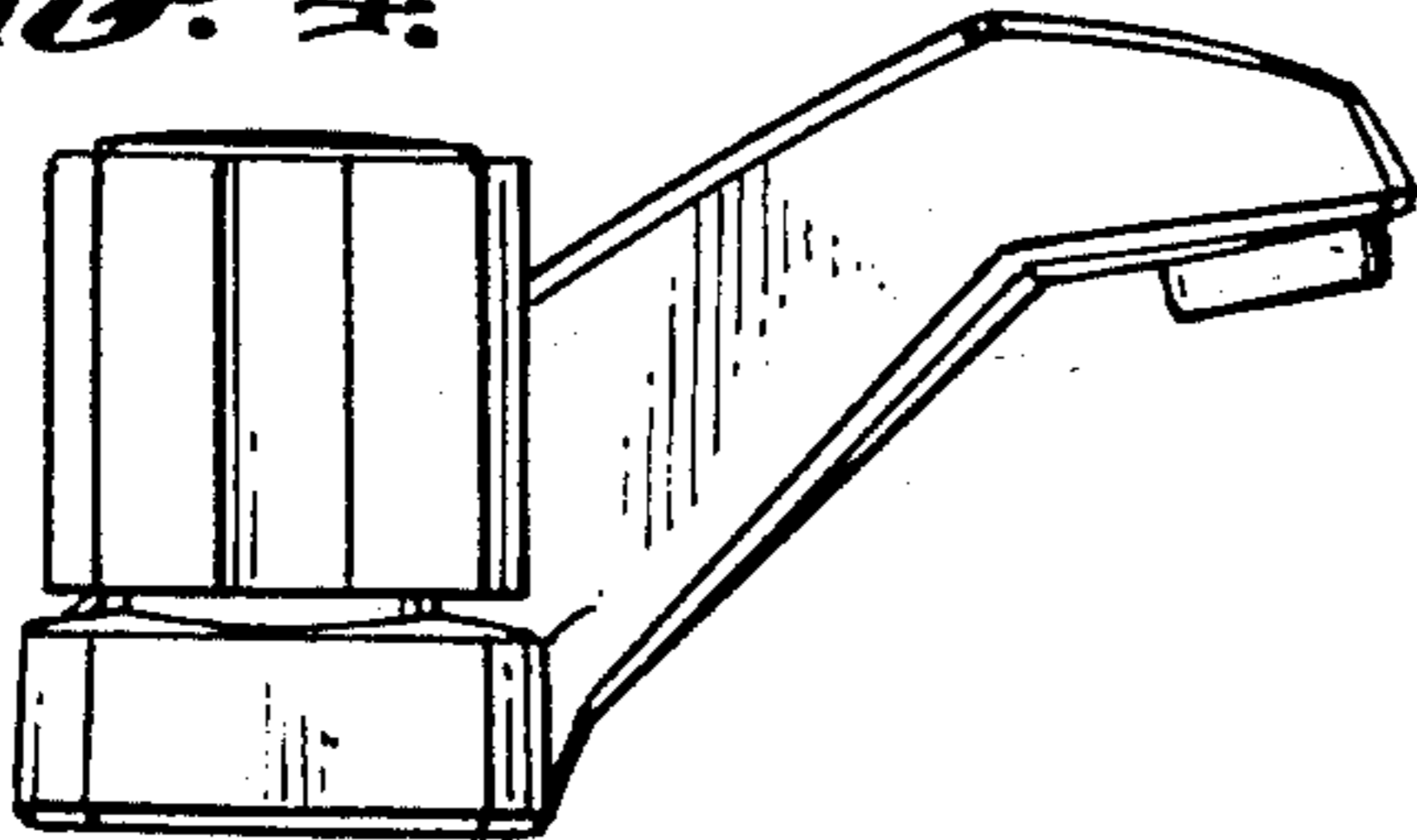
*FIG. 2.*



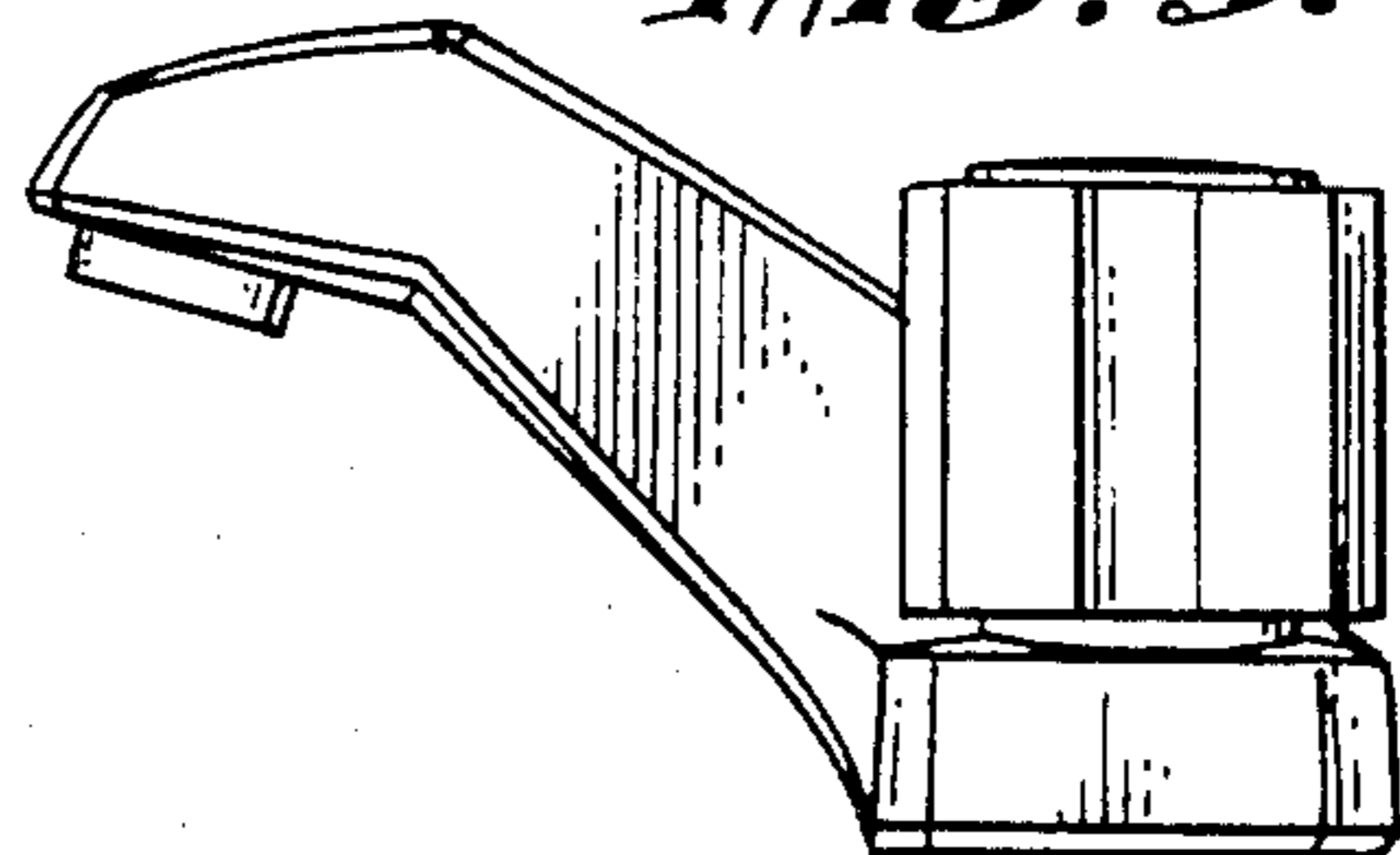
*FIG. 3.*



*FIG. 4.*



*FIG. 5.*



*FIG. 6.*

