

[54] **GAS GOVERNOR MODULE**

[75] **Inventors: Derek Stoves; John E. Hatley, both of Newcastle upon Tyne, England**

[73] **Assignee: British Gas Corporation, London, England**

[**] **Term: 14 Years**

[21] **Appl. No.: 568,217**

[22] **Filed: Jan. 4, 1984**

[30] **Foreign Application Priority Data**

Jul. 4, 1983 [GB] United Kingdom 1013906

[52] **U.S. Cl. D23/21**

[58] **Field of Search D15/5; 123/198 DB; 137/450.2; D23/21**

[56] **References Cited**

U.S. PATENT DOCUMENTS

D. 34,718	7/1901	Goodwin	D15/5
D. 140,550	3/1945	Reger	D15/5
4,424,782	1/1984	Emmerich	123/198 DB
4,495,914	1/1985	Ishill et al.	123/198 DB

Primary Examiner—Wallace R. Burke
Assistant Examiner—Lynn Wilder
Attorney, Agent, or Firm—Larson and Taylor

[57] **CLAIM**

The ornamental design for a gas governor module, as shown.

DESCRIPTION

FIG. 1 is a top perspective view of a gas governor module showing our new design;
FIG. 2 is a bottom perspective view thereof;
FIG. 3 is a side elevational view thereof, the opposite side being a mirror image;
FIG. 4 is an end elevational view thereof, the opposite end being a mirror image; and
FIG. 5 is a top plan view thereof.

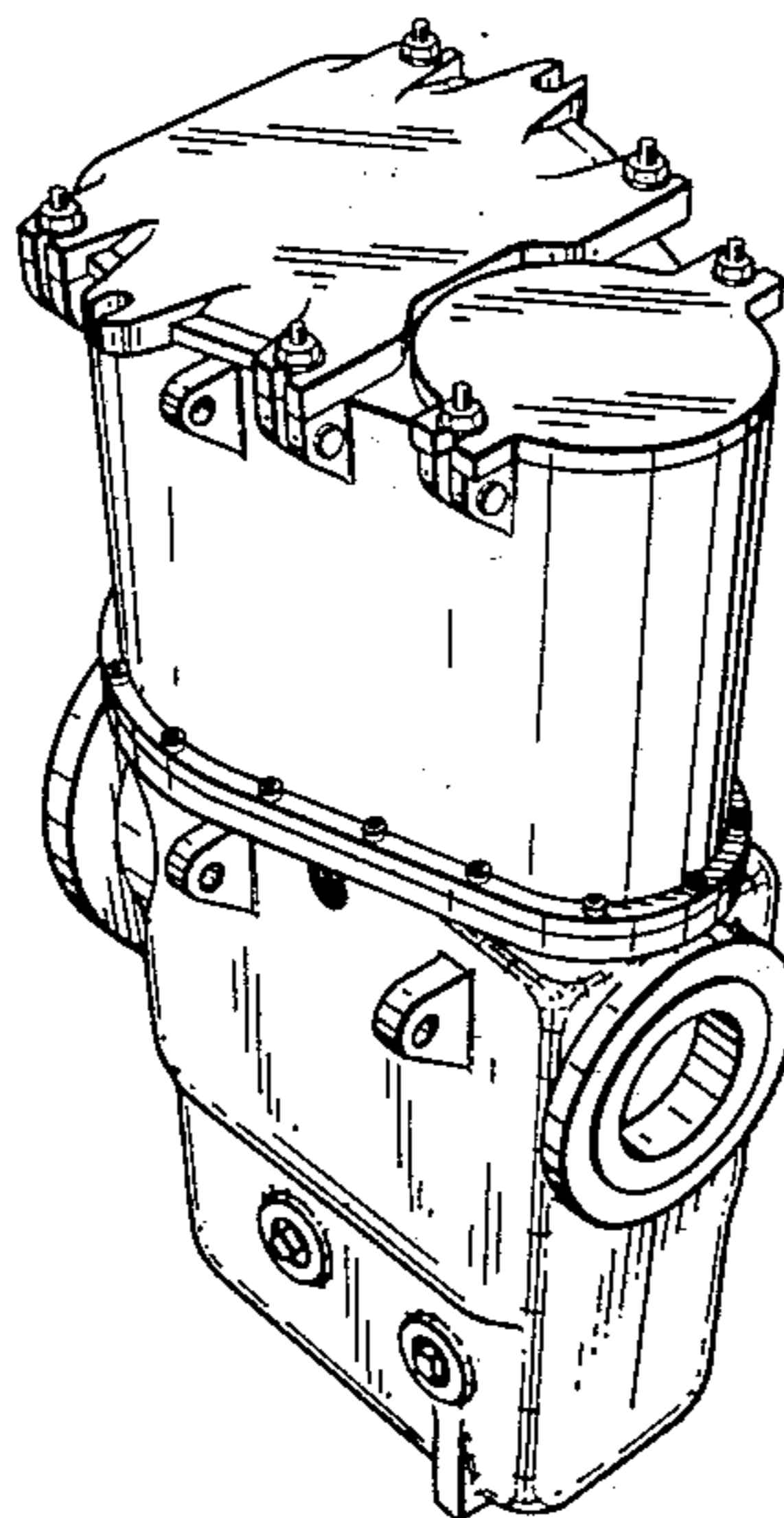


FIG.1.

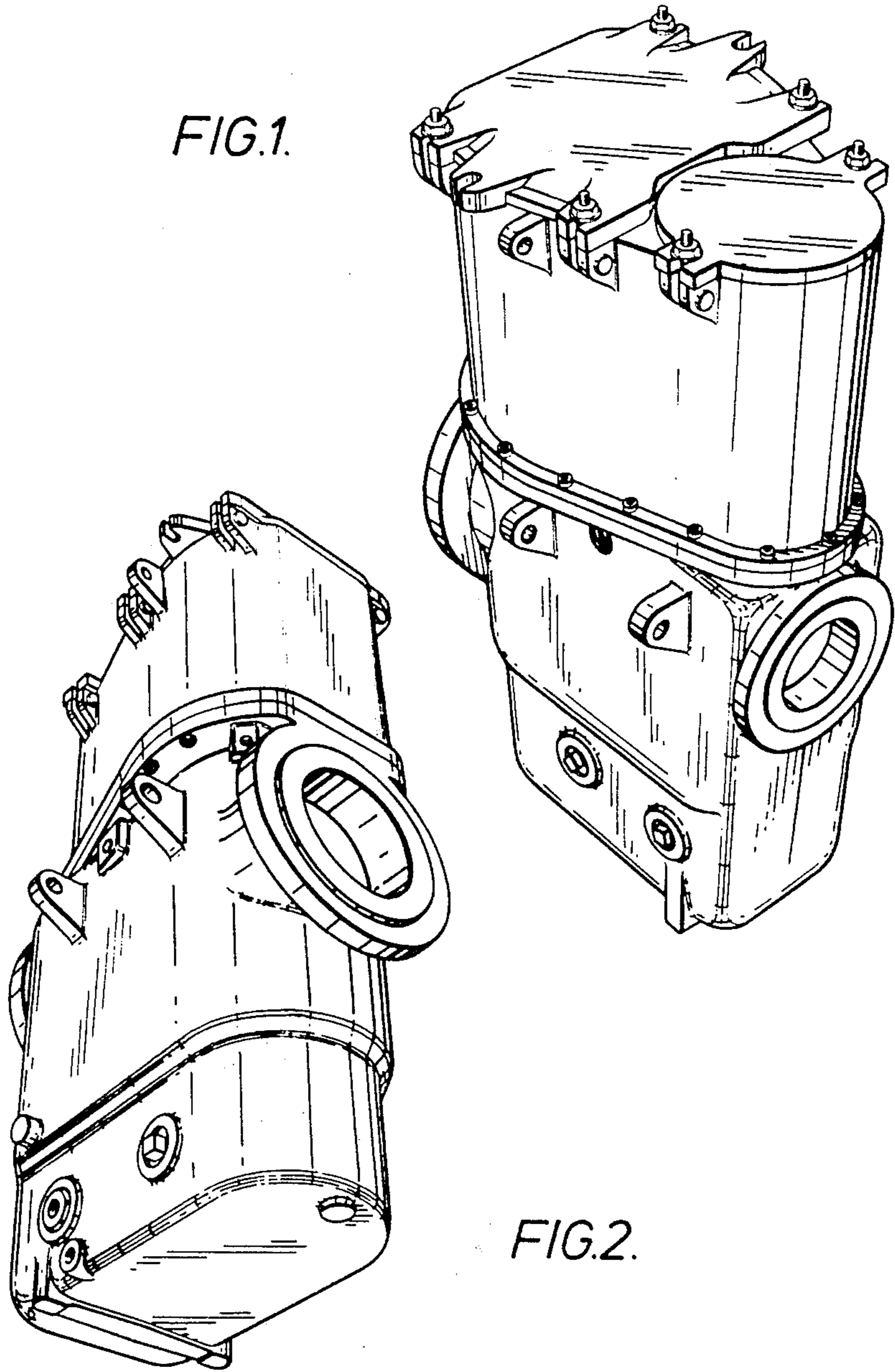


FIG.2.

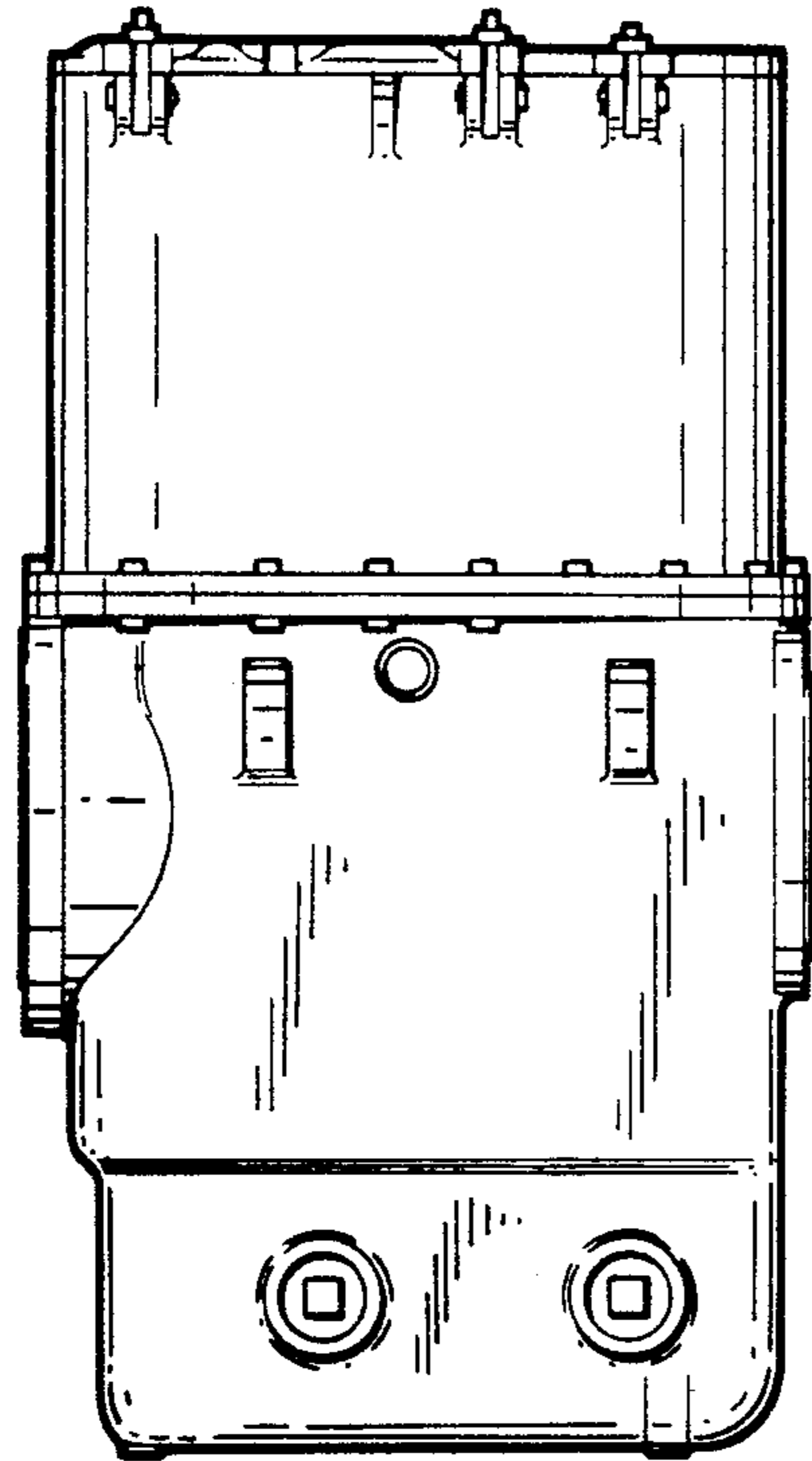


FIG. 3.

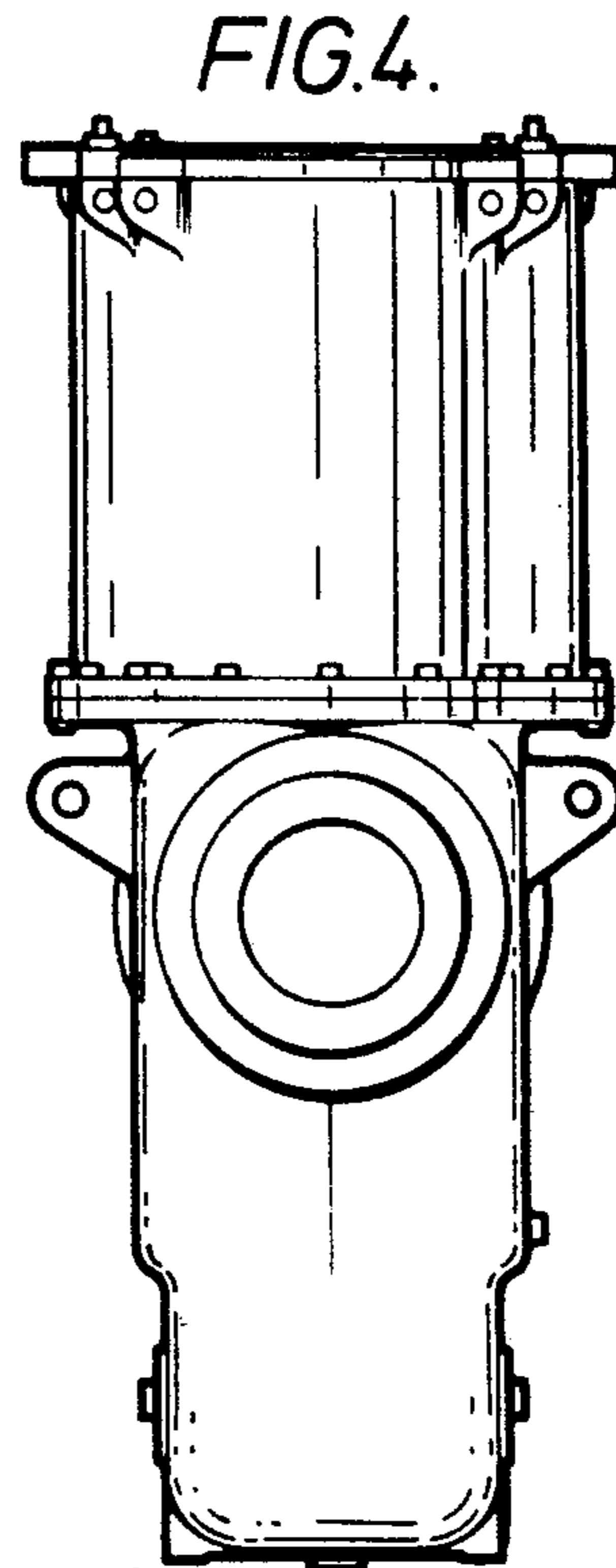


FIG. 4.

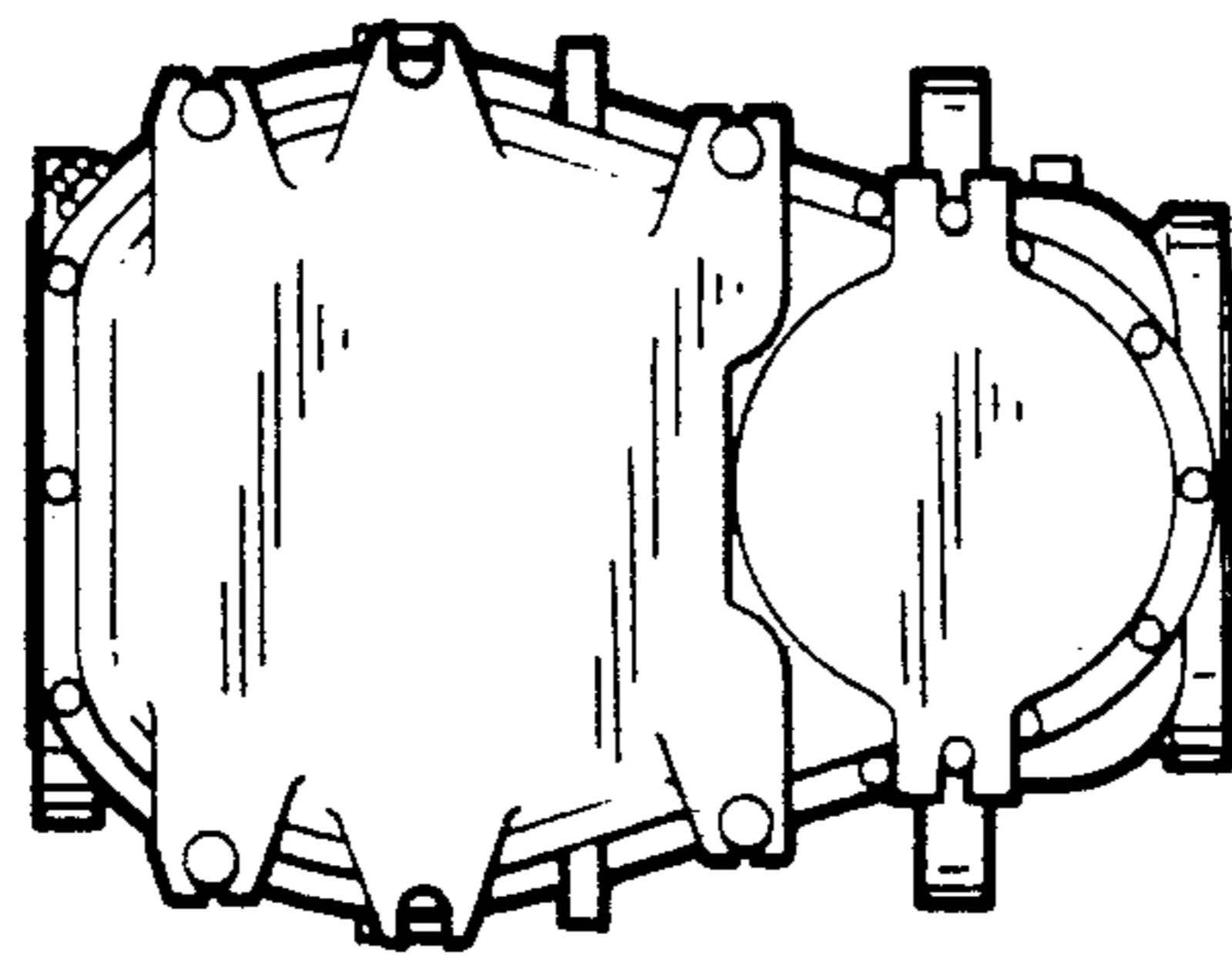


FIG. 5.