

[54] RECONFIGURABLE TOY VEHICLE

[75] Inventor: Kouzin Ohno, Tokyo, Japan

[73] Assignee: Takara Co., Ltd., Tokyo, Japan

[**] Term: 14 Years

[21] Appl. No.: 616,600

[22] Filed: May 30, 1984

[30] Foreign Application Priority Data

Dec. 30, 1983 [JP] Japan 58-57470

[52] U.S. Cl. D21/136; D21/128; D21/150; D21/166

[58] Field of Search D21/128-140, D21/166, 177; 446/71, 72, 73, 74, 75, 77, 78; D12/90

[56] References Cited

U.S. PATENT DOCUMENTS

- D. 275,122 8/1984 Murakami D21/150
- D. 279,307 6/1985 Murakami D21/136
- D. 281,087 10/1985 Ohno D21/136

OTHER PUBLICATIONS

Design News, 10-11-1976, Prototype electric car at top of page.

Primary Examiner—Charles A. Rademaker
Attorney, Agent, or Firm—Price, Gess & Ubell

[57] CLAIM

The ornamental design for a reconfigurable toy vehicle, substantially as shown and described.

DESCRIPTION

FIG. 1 is a front elevational view of a reconfigurable toy vehicle showing my new design in a humanoid condition;

FIG. 2 is a rear elevational view thereof;

FIG. 3 is a right side elevational view thereof;

FIG. 4 is a left side elevational view thereof;

FIG. 5 is a top plan view thereof;

FIG. 6 is a bottom plan view thereof;

FIG. 7 is another front perspective view thereof in a transitory condition;

FIG. 8 is another front perspective view thereof in another transitory condition;

FIG. 9 is another perspective view thereof in another transitory condition;

FIG. 10 is a front perspective view of the design shown in FIGS. 1 through 9 in a reconfigured condition;

FIG. 11 is a front perspective view of the design shown in FIGS. 1 through 9 in another reconfigured condition;

FIG. 12 is a front elevational view thereof;

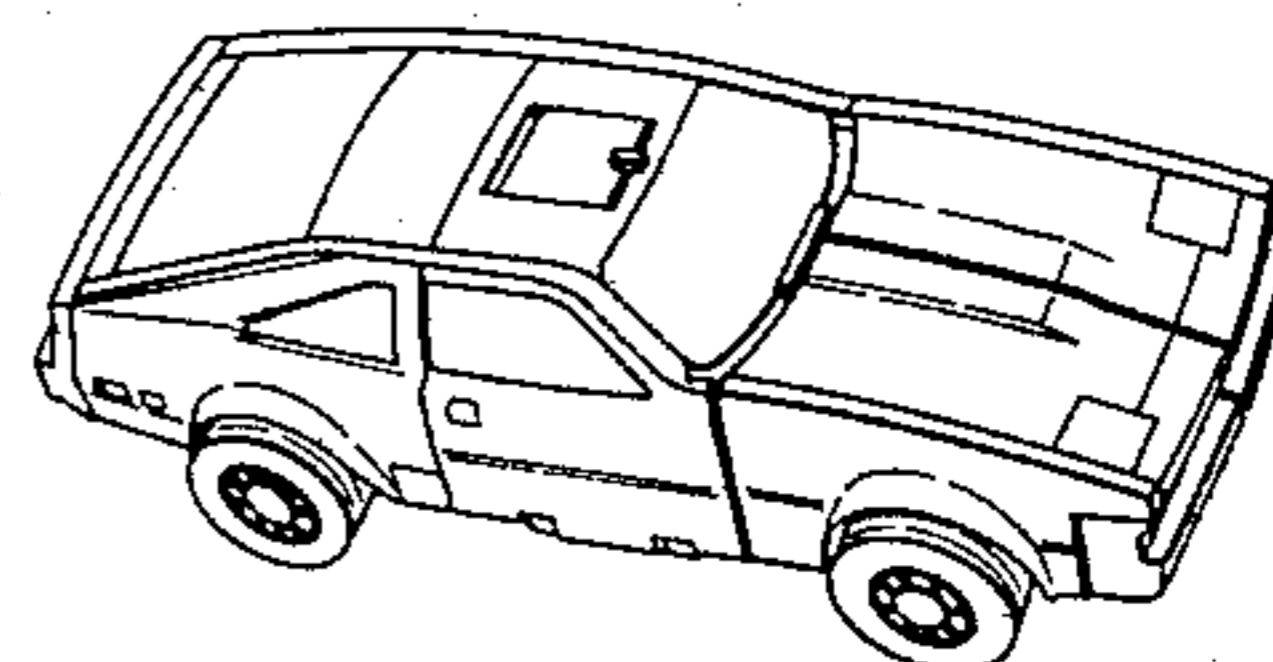
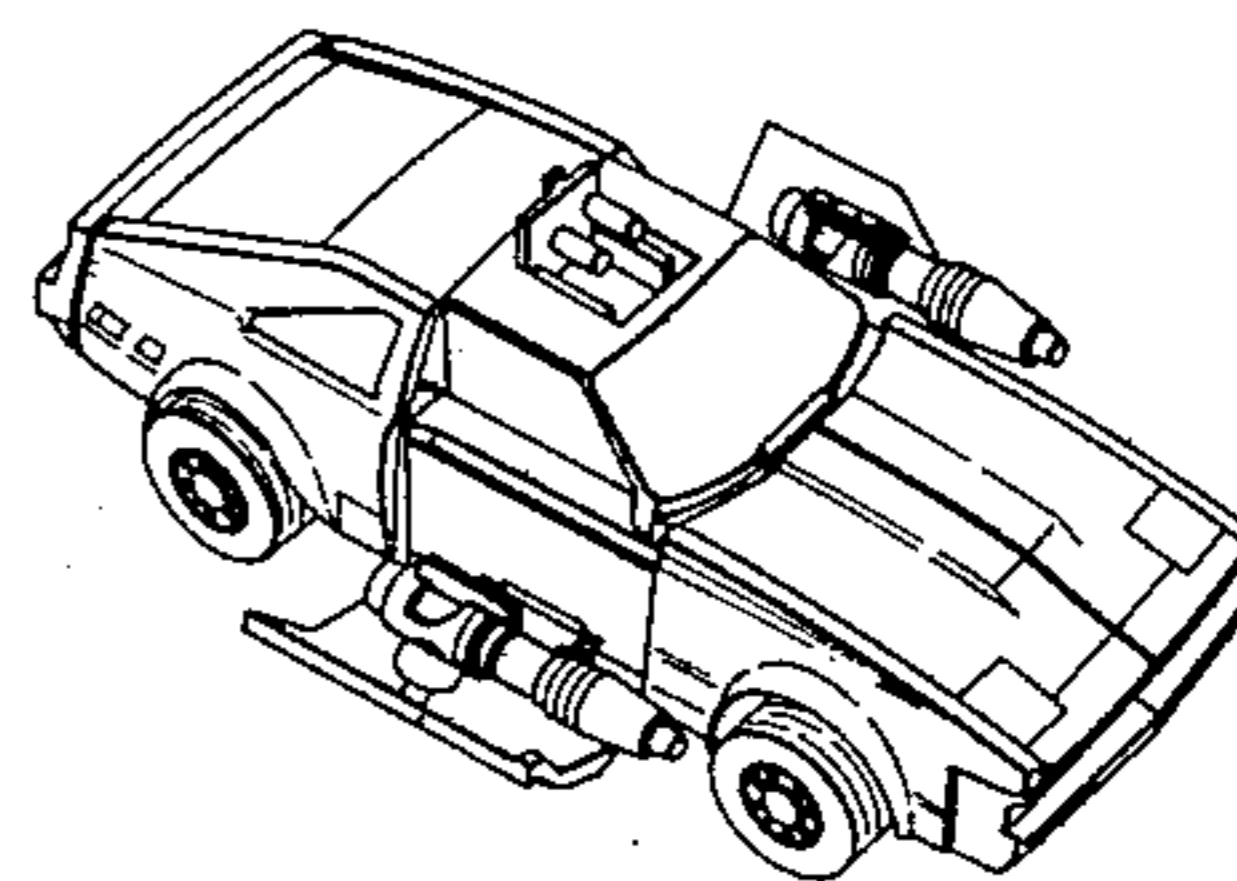
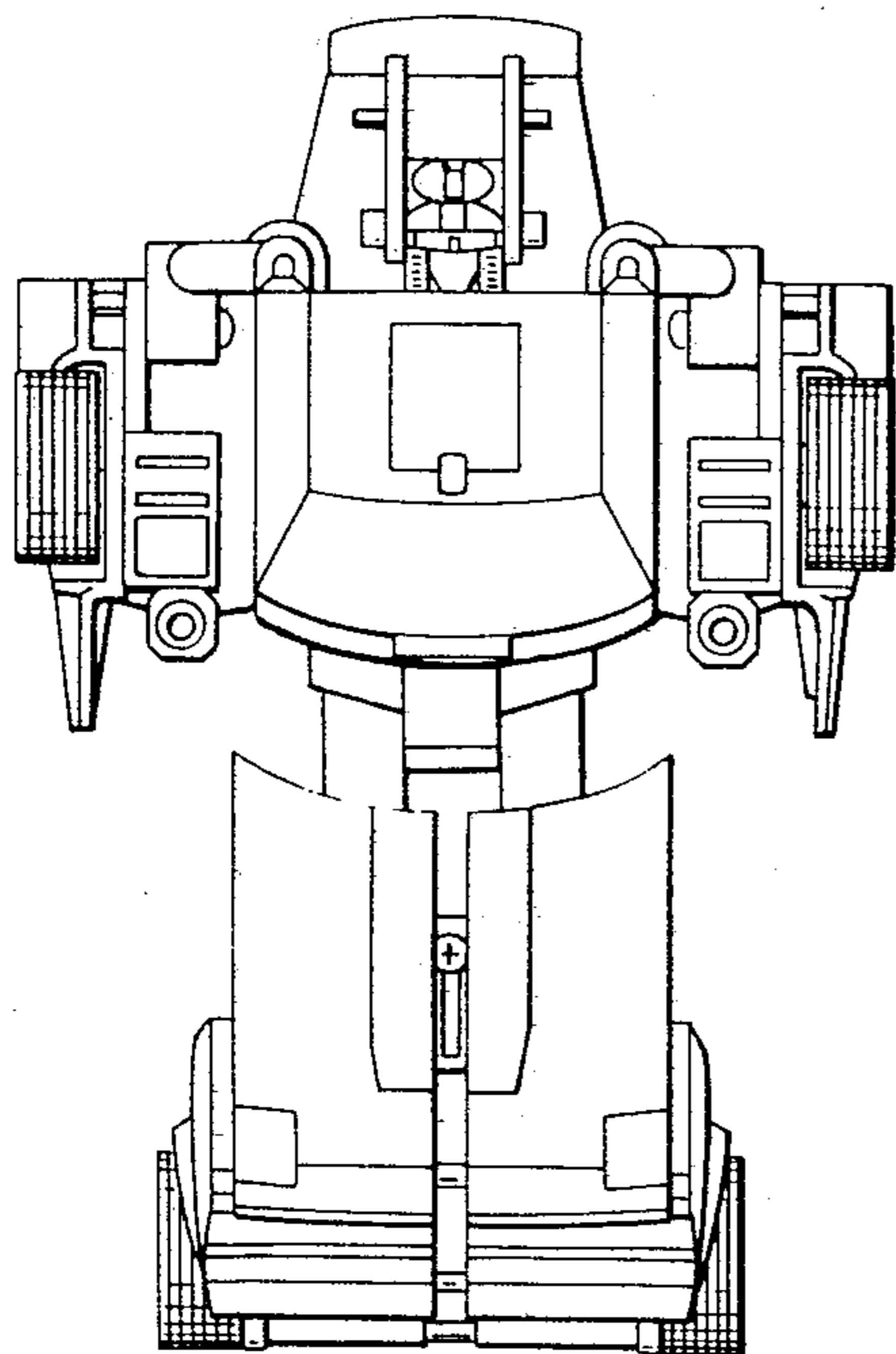
FIG. 13 is a rear elevational view thereof;

FIG. 14 is a right side elevational view thereof;

FIG. 15 is a left side elevational view thereof;

FIG. 16 is a top plan view thereof; and,

FIG. 17 is a bottom plan view thereof.



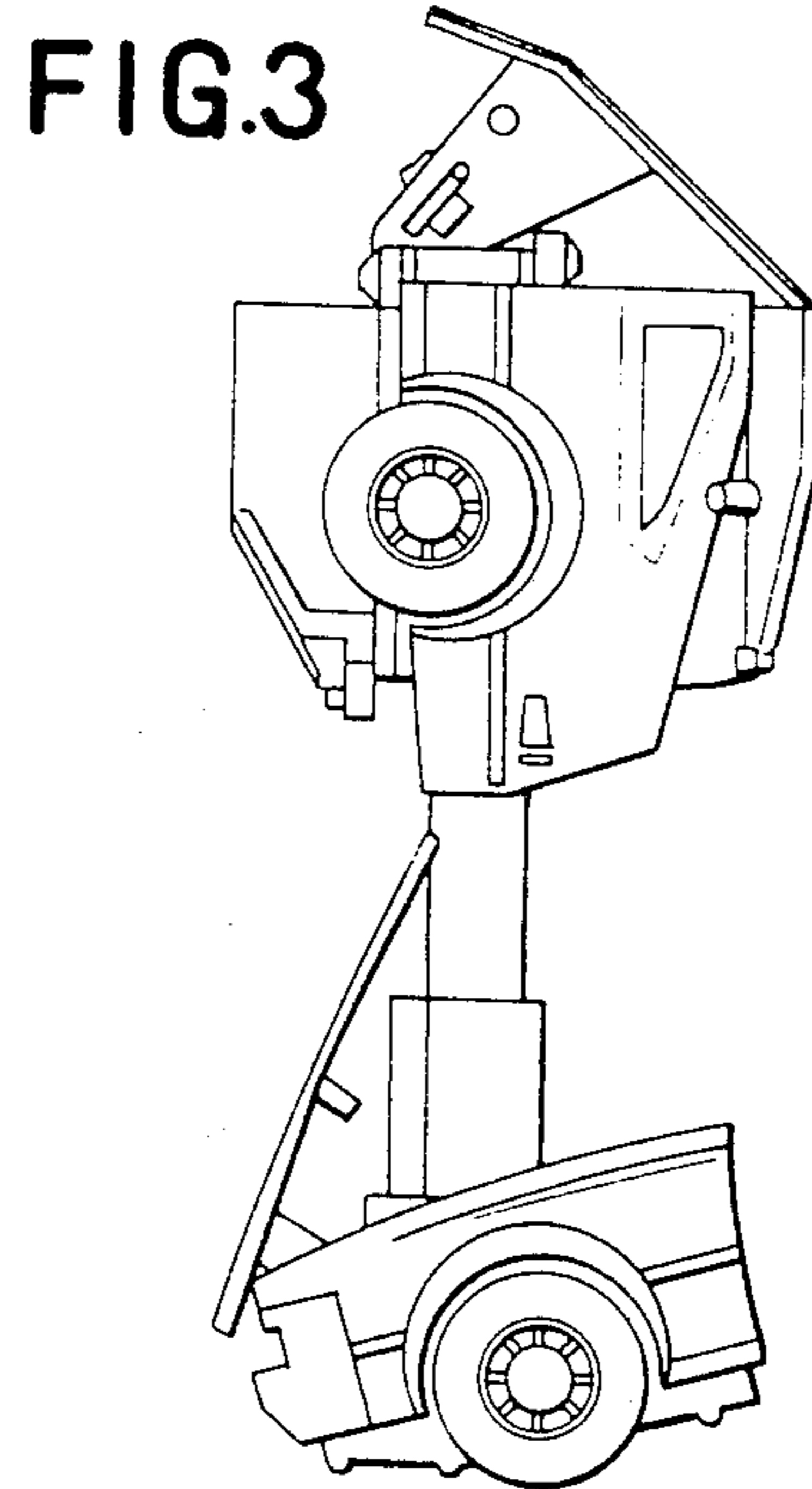
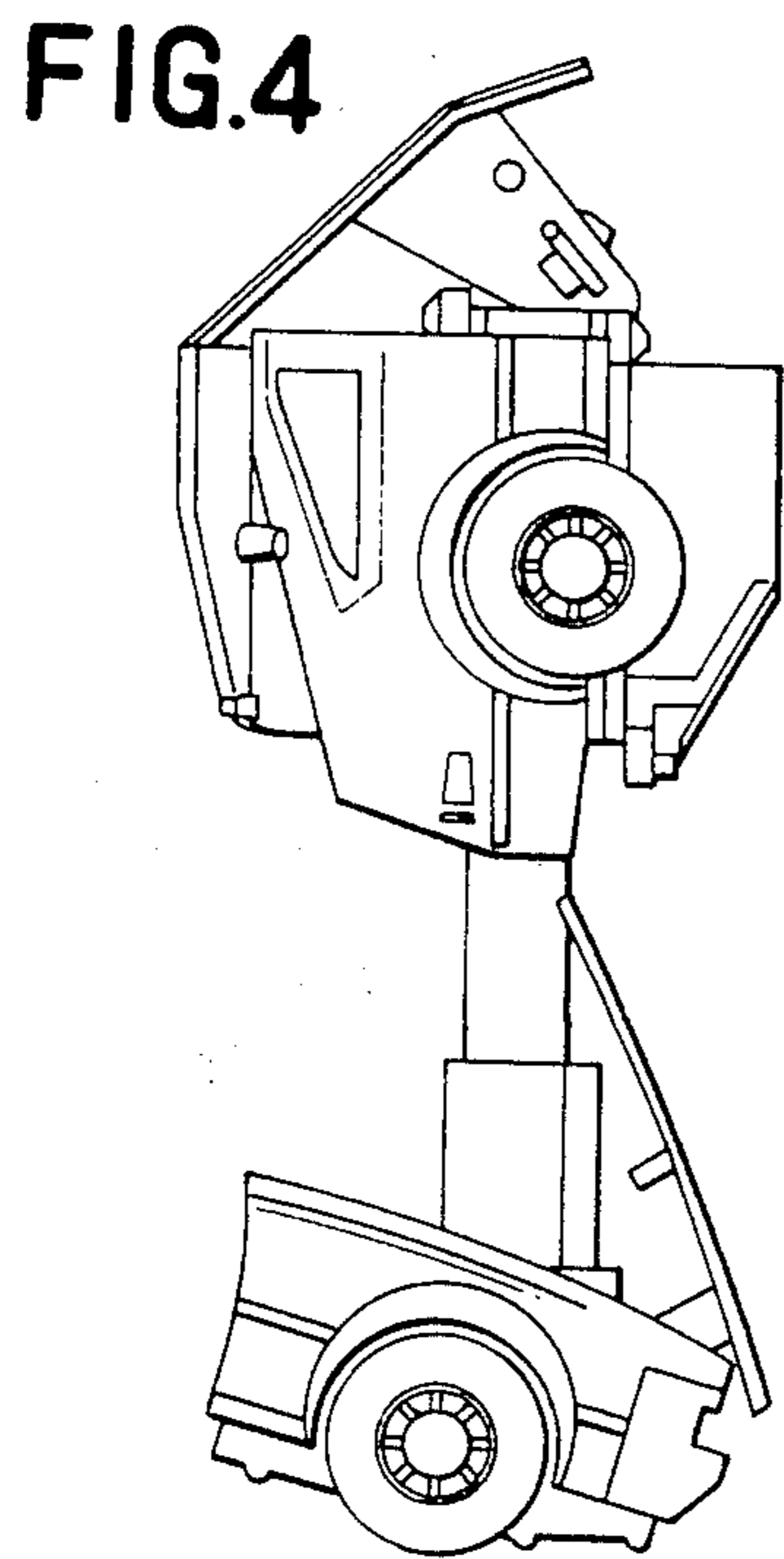
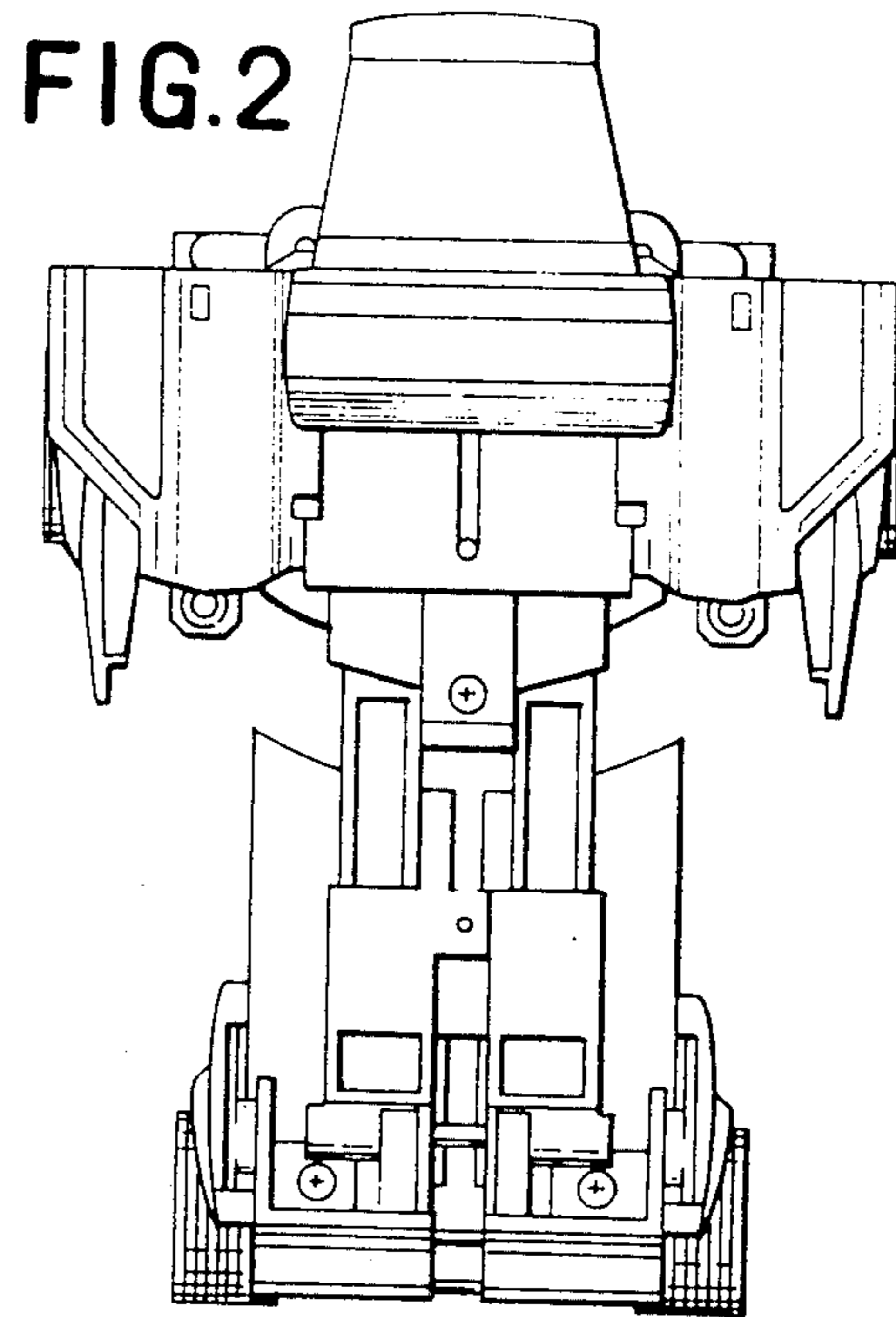
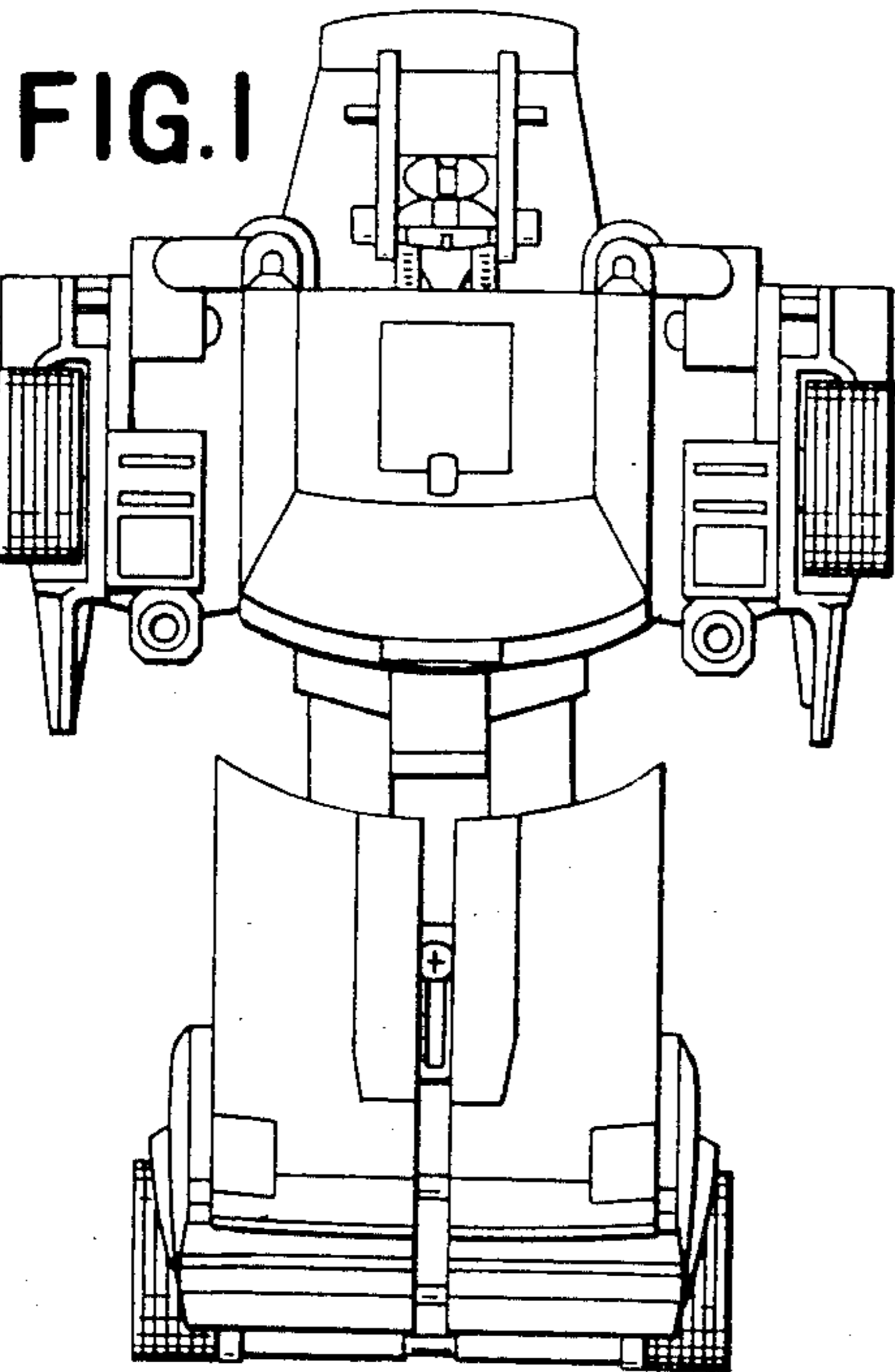


FIG.5

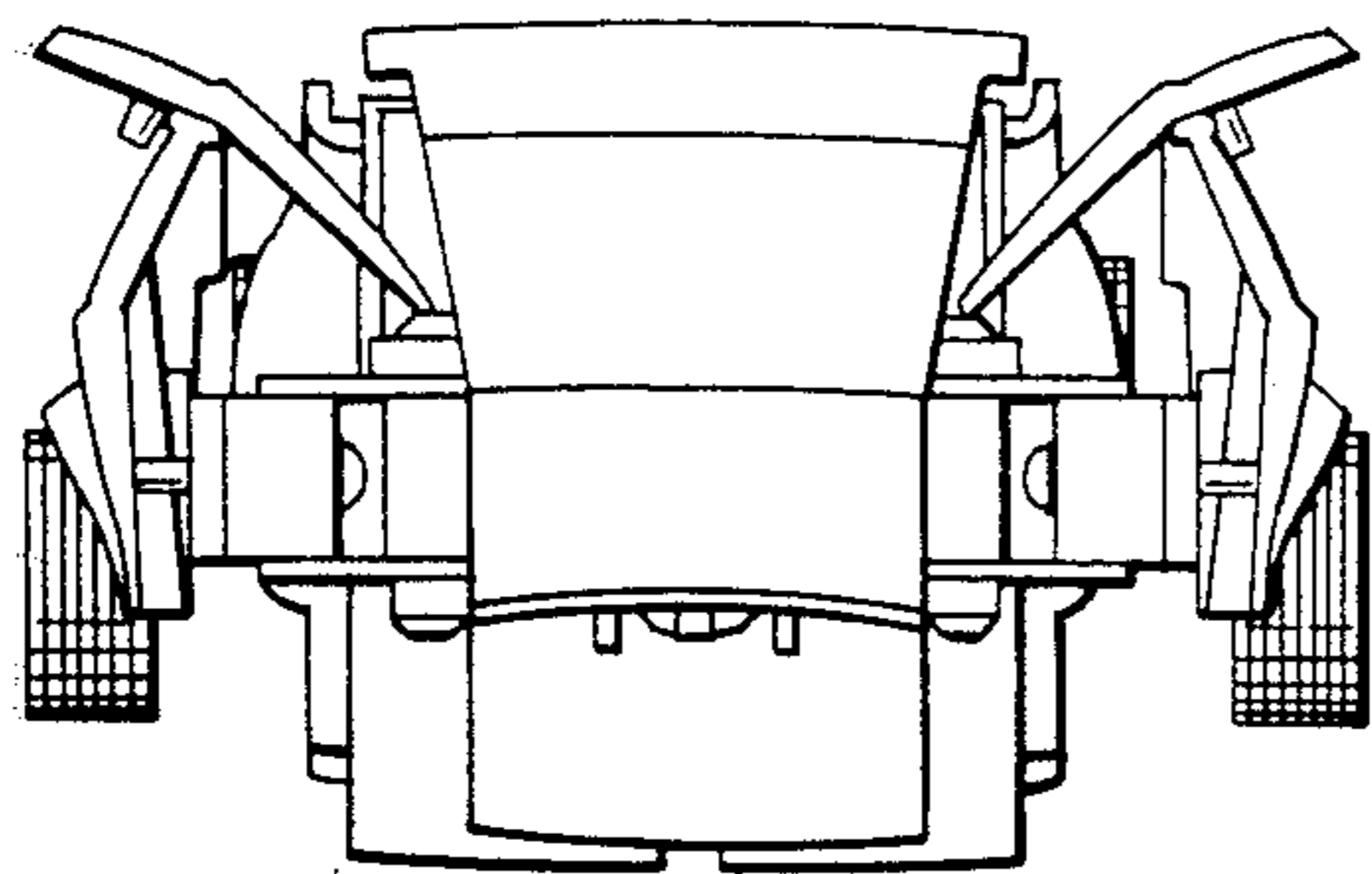


FIG.6

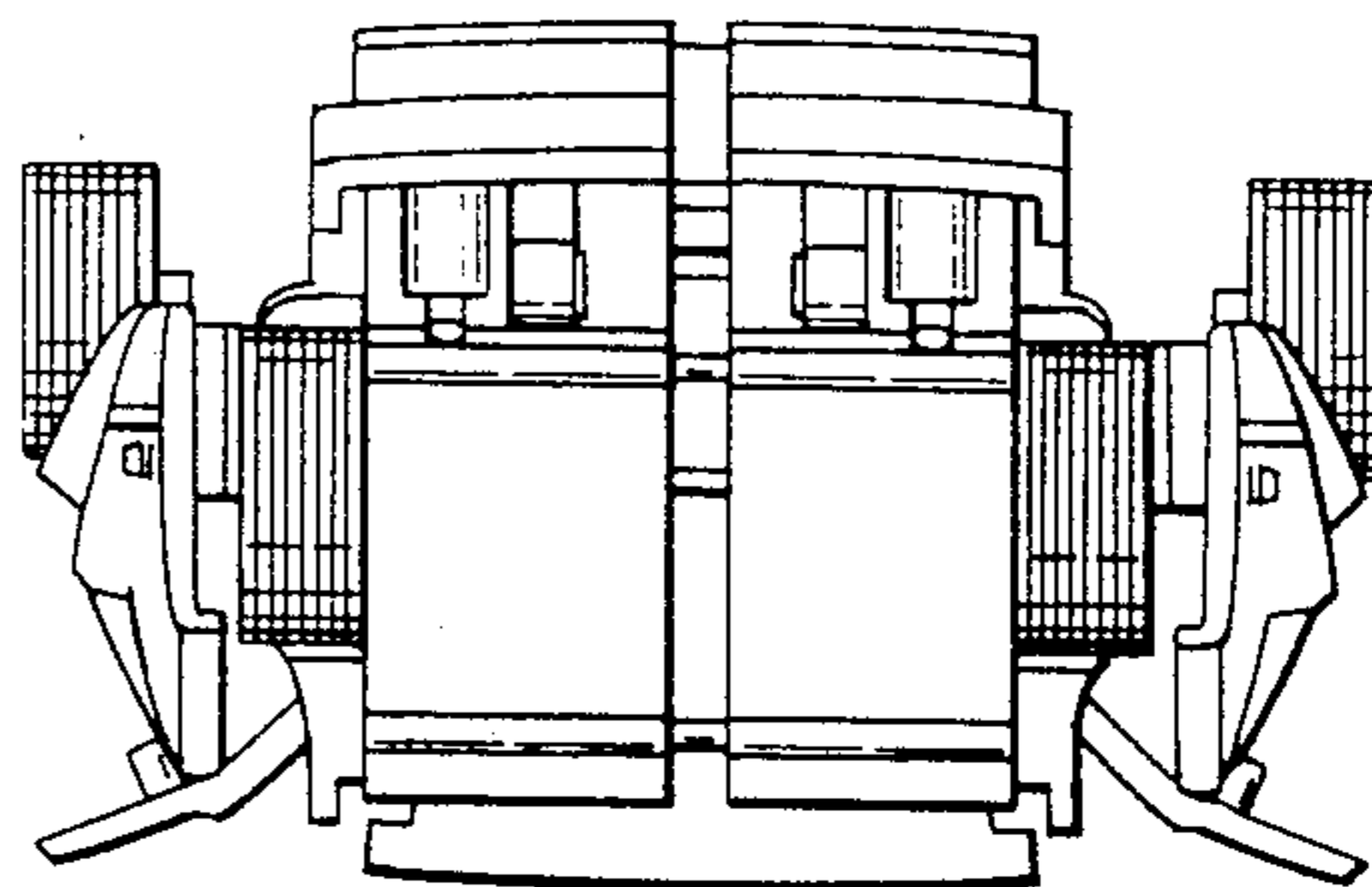


FIG.7

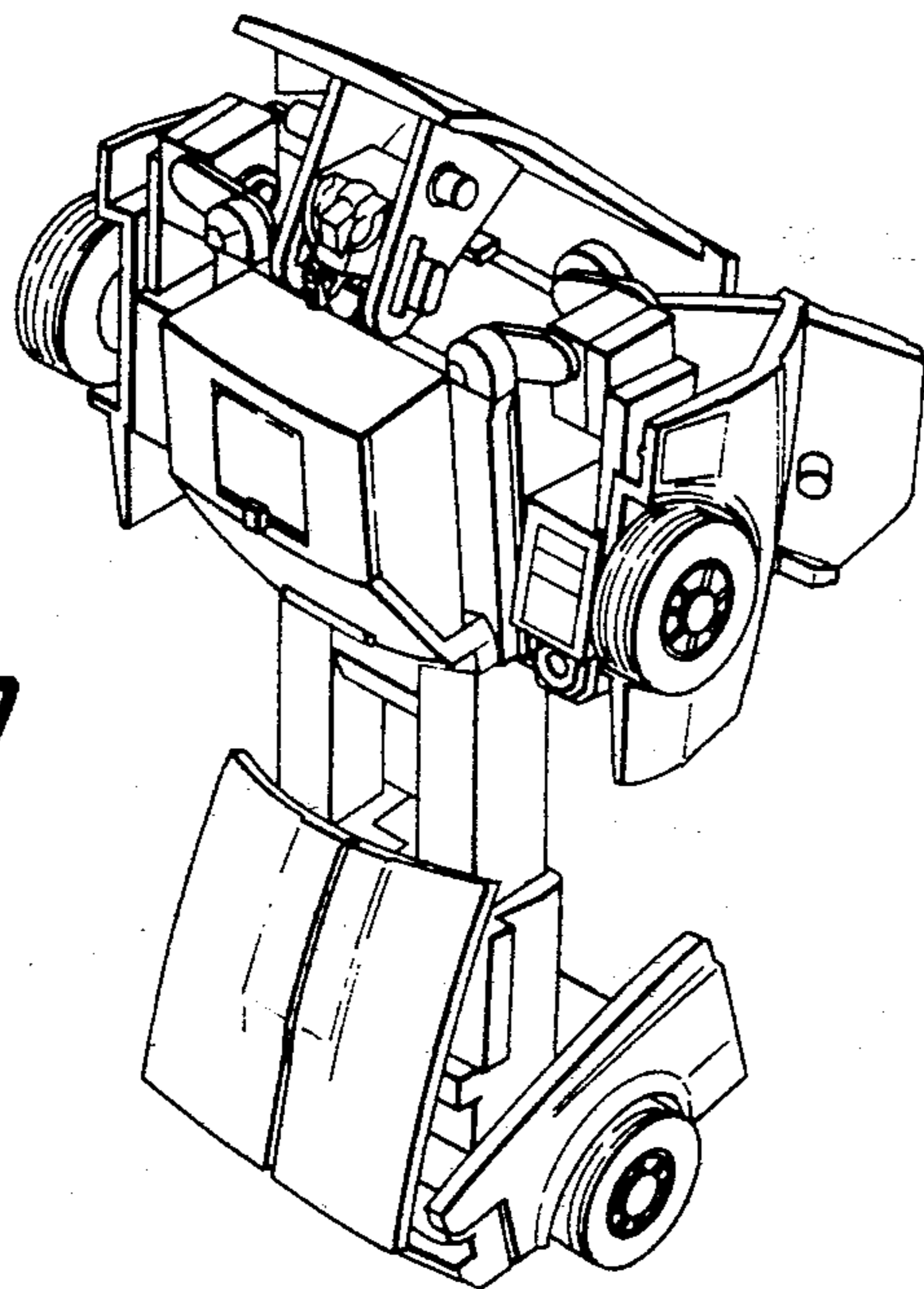


FIG. 8

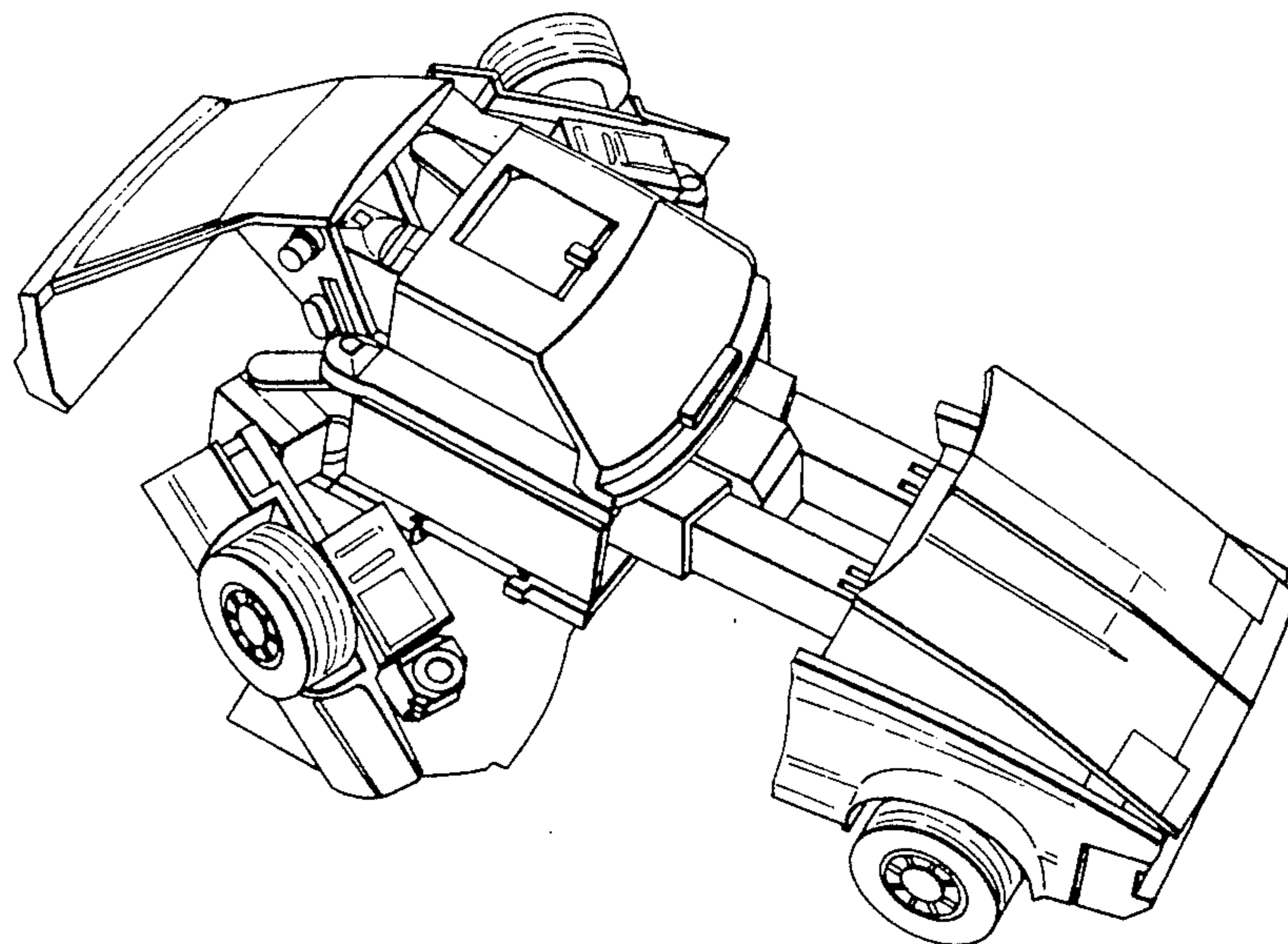


FIG. 9

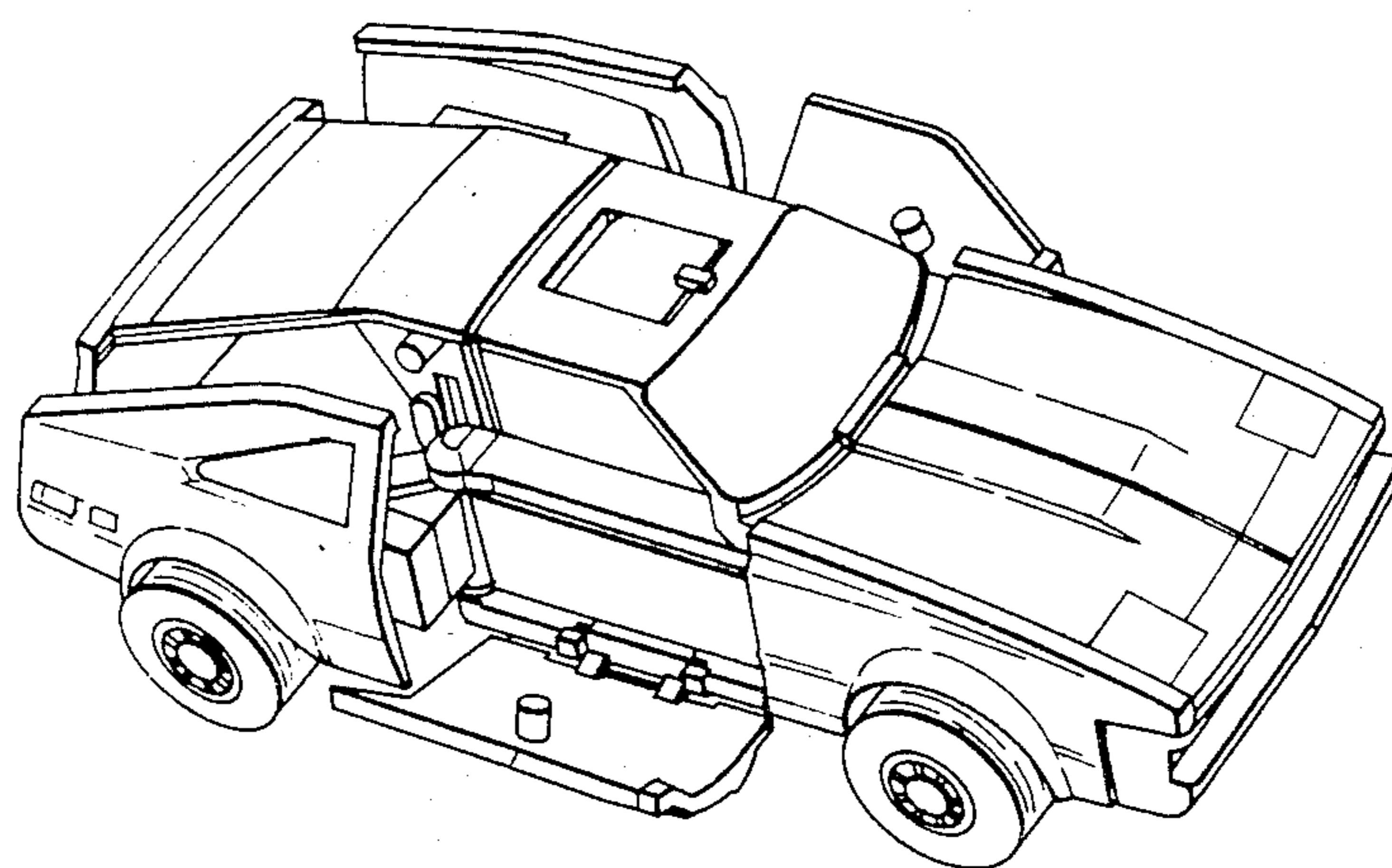


FIG.10

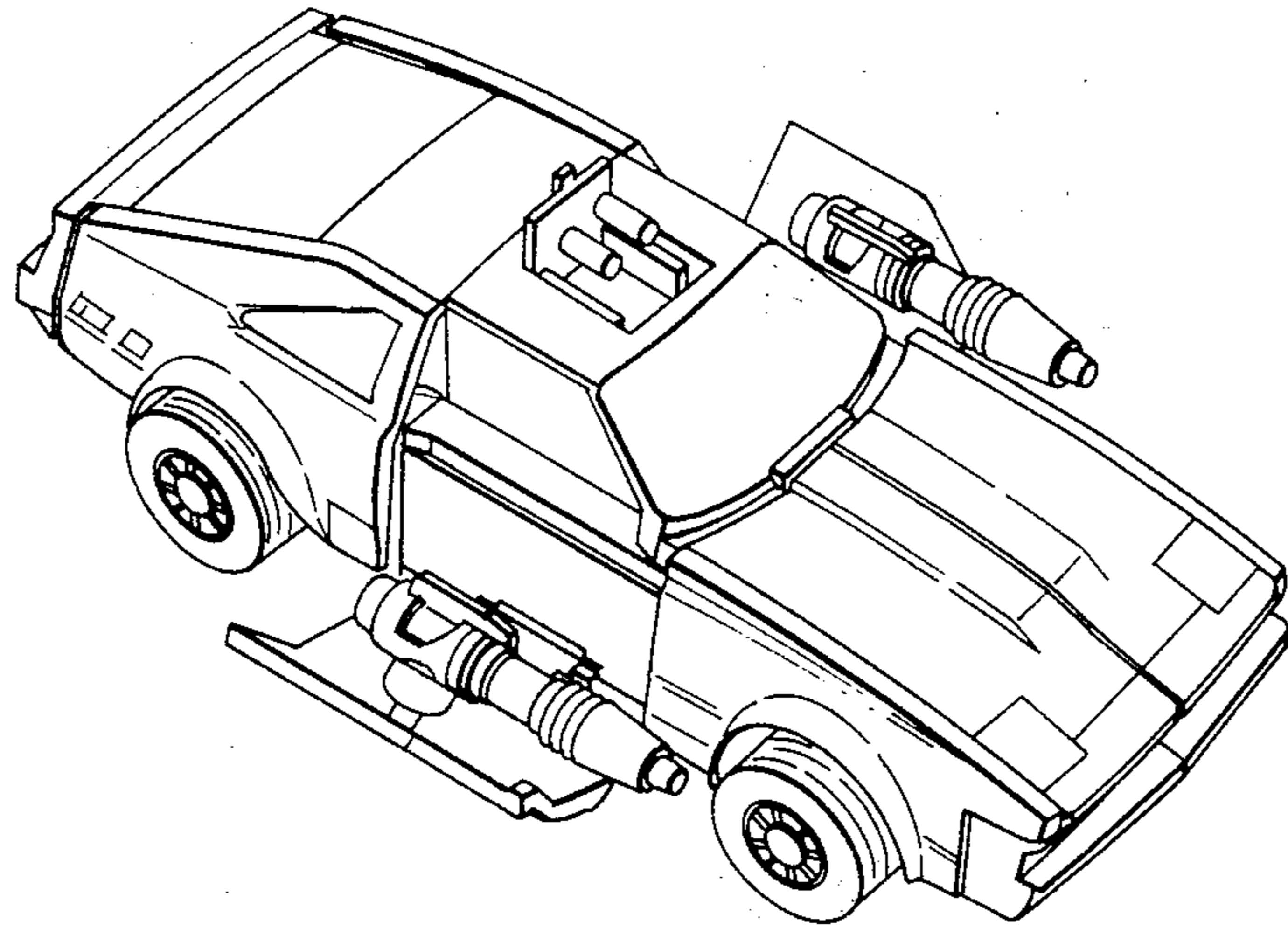


FIG.11

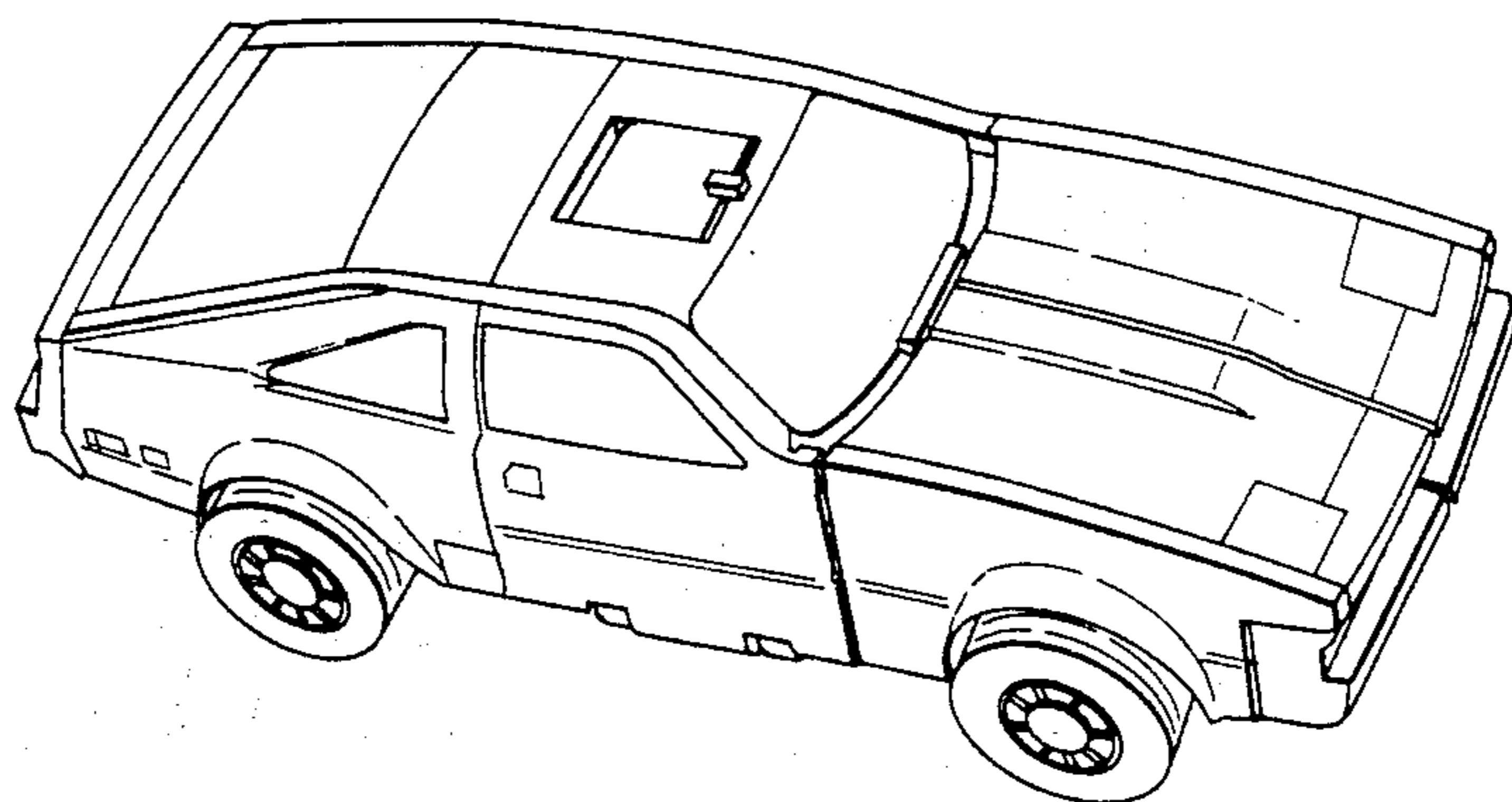


FIG.12

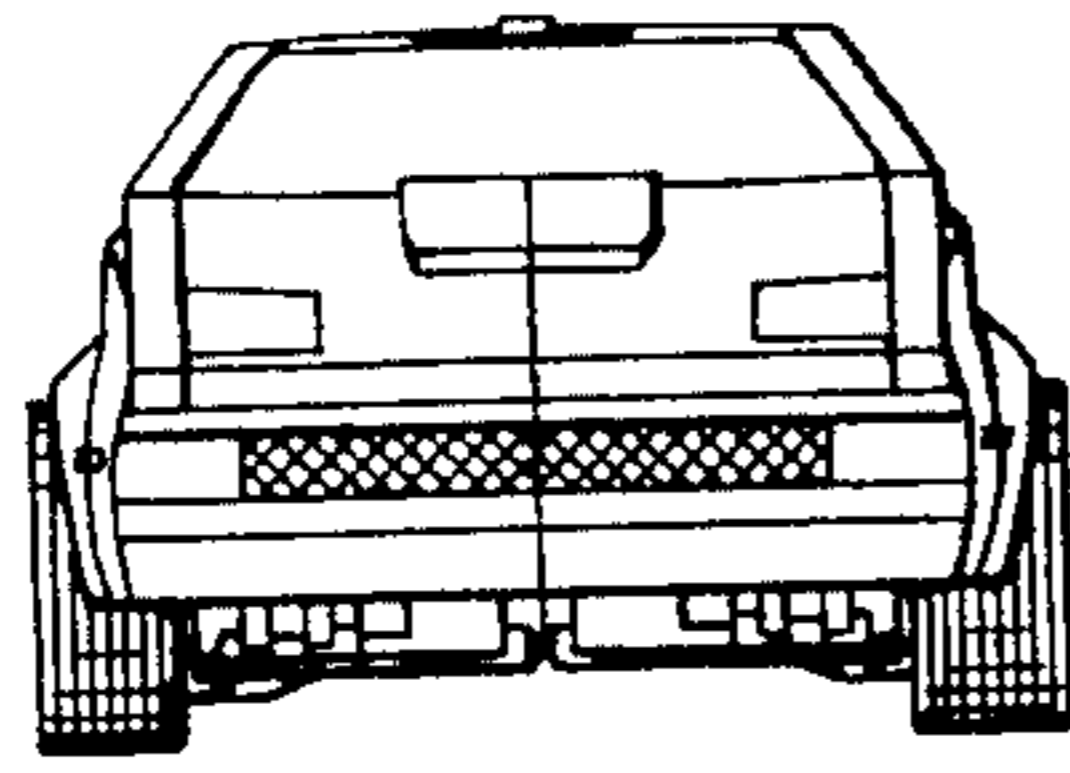


FIG.13

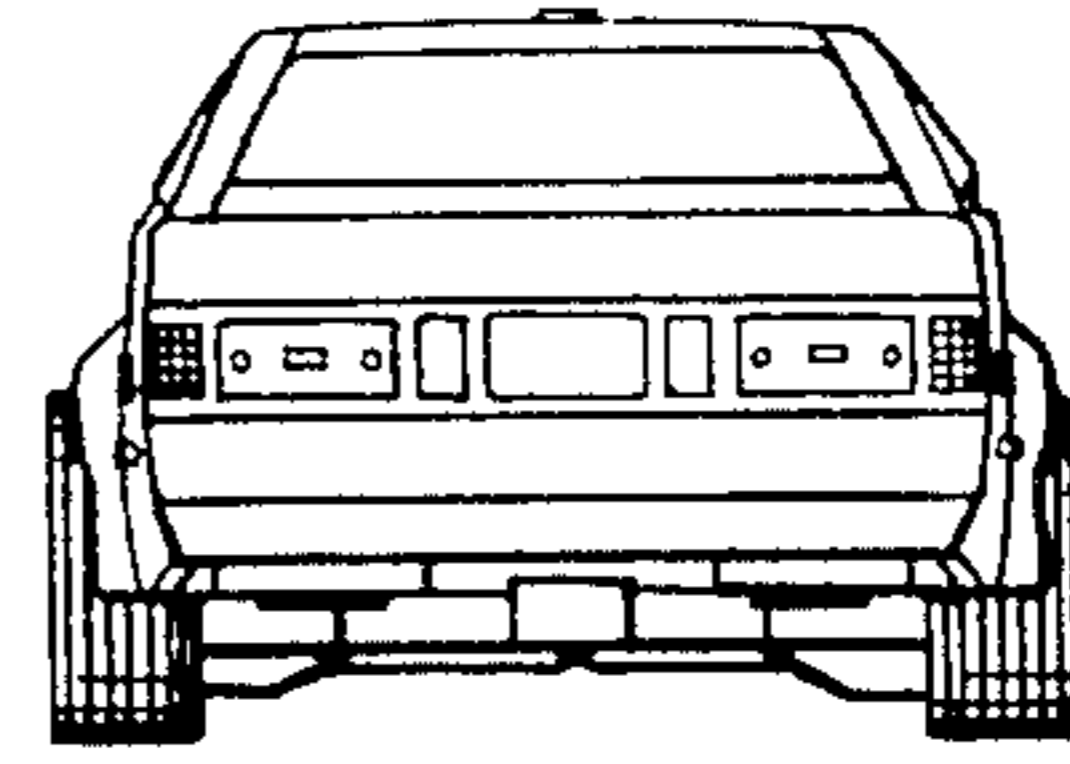


FIG.14

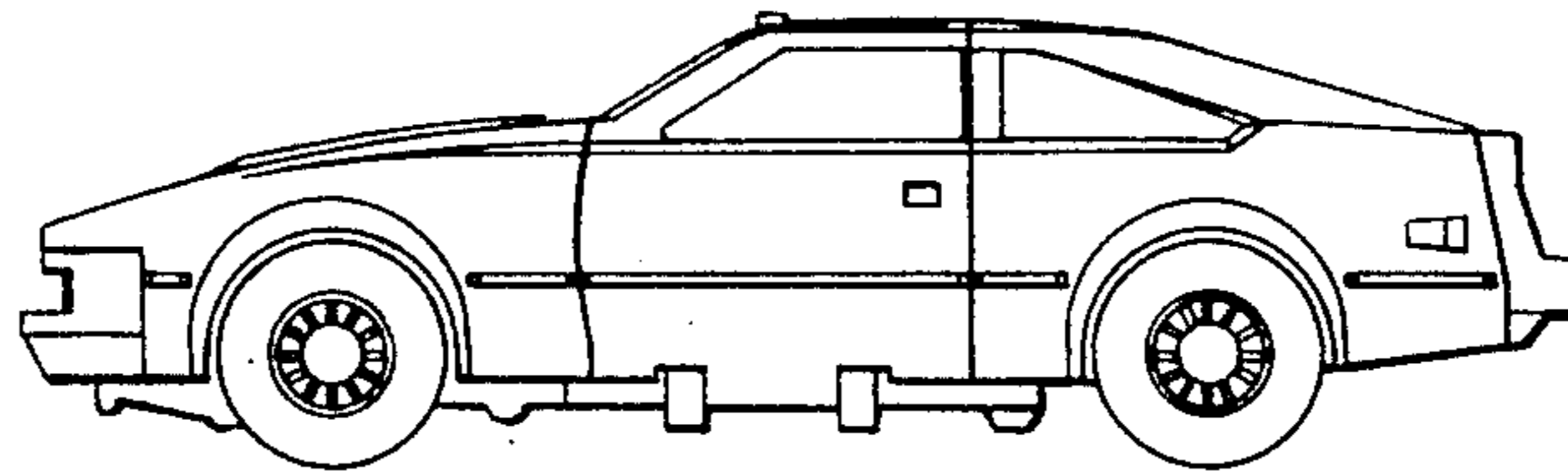


FIG.15

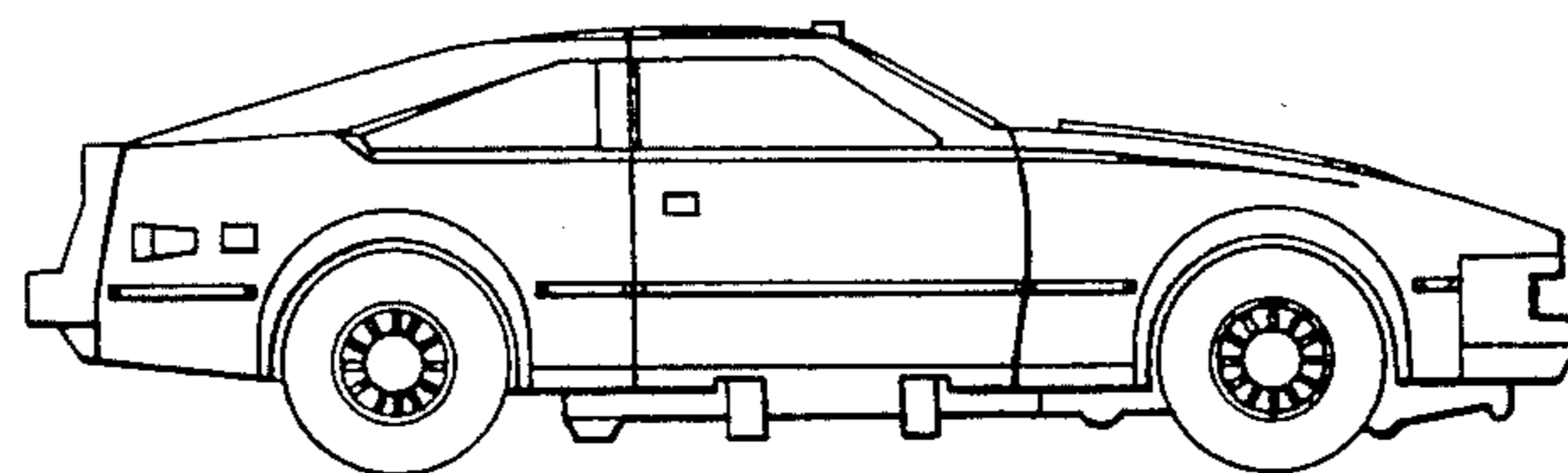


FIG.16

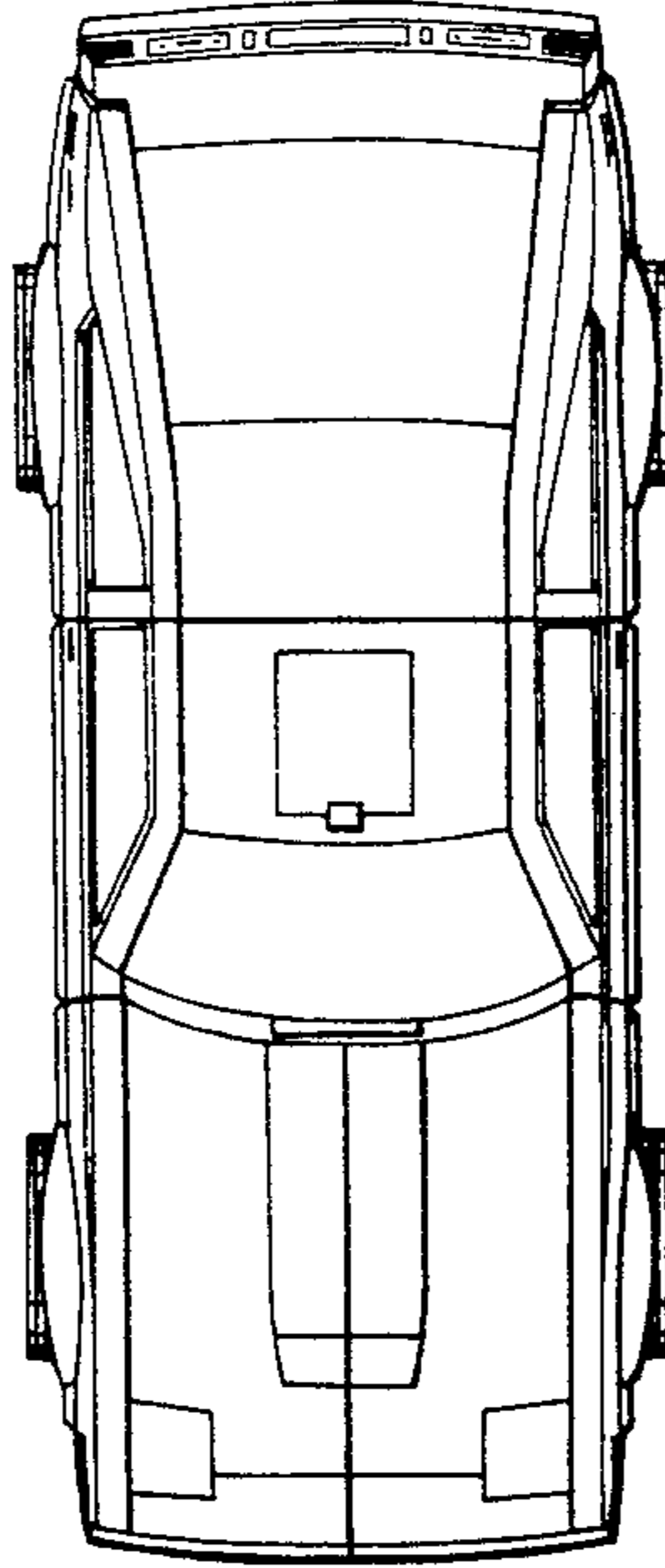


FIG.17

