

[54] RECONFIGURABLE TOY VEHICLE  
[75] Inventor: Kouzin, Ohno, Tokyo, Japan  
[73] Assignee: Takara Co., Ltd., Tokyo, Japan  
[\*\*] Term: 14 Years  
[21] Appl. No.: 616,424  
[22] Filed: May 30, 1984

[30] Foreign Application Priority Data  
Dec. 30, 1983 [JP] Japan ..... 58-57472  
[52] U.S. Cl. .... D21/136; D21/128;  
D21/150; D21/166  
[58] Field of Search ..... D21/128-140,  
D21/166, 177; 446/71, 72, 73, 74, 75, 77, 78;  
D12/90

[56] References Cited  
U.S. PATENT DOCUMENTS  
D. 275,122 8/1984 Murakami ..... D21/150  
D. 278,643 4/1985 Ogawa ..... D21/128  
D. 281,087 10/1985 Ohno ..... D21/136  
D. 281,088 10/1985 Murakami ..... D21/137  
4,516,948 5/1985 Obara ..... 446/434

OTHER PUBLICATIONS  
Hong Kong Toy Catalog, 1982, p. 140, Toy Robot at top of page.

Primary Examiner—Charles A. Rademaker  
Attorney, Agent, or Firm—Price, Gess & Ubell

[57] CLAIM  
The ornamental design for a reconfigurable toy vehicle, substantially as shown and described.

DESCRIPTION  
FIG. 1 is a front elevational view of a reconfigurable toy vehicle showing my new design in a humanoid condition;  
FIG. 2 is a rear elevational view thereof;  
FIG. 3 is a right side elevational view thereof;  
FIG. 4 is a left side elevational view thereof;  
FIG. 5 is a top plan view thereof;  
FIG. 6 is a bottom plan view thereof;  
FIG. 7 is a perspective view thereof;  
FIG. 8 is a perspective view of the design shown in FIGS. 1 through 7 in a transitory condition;  
FIG. 9 is another perspective view thereof;  
FIG. 10 is another perspective view thereof;  
FIG. 11 is another perspective view thereof;  
FIG. 12 is a perspective view of the design shown in FIGS. 1 through 6 in a vehicular condition;  
FIG. 13 is a front elevational view thereof;  
FIG. 14 is a rear elevational view thereof;  
FIG. 15 is a right side elevational view thereof;  
FIG. 16 is a left side elevational view thereof;  
FIG. 17 is a top plan view thereof; and,  
FIG. 18 is a bottom plan view thereof.

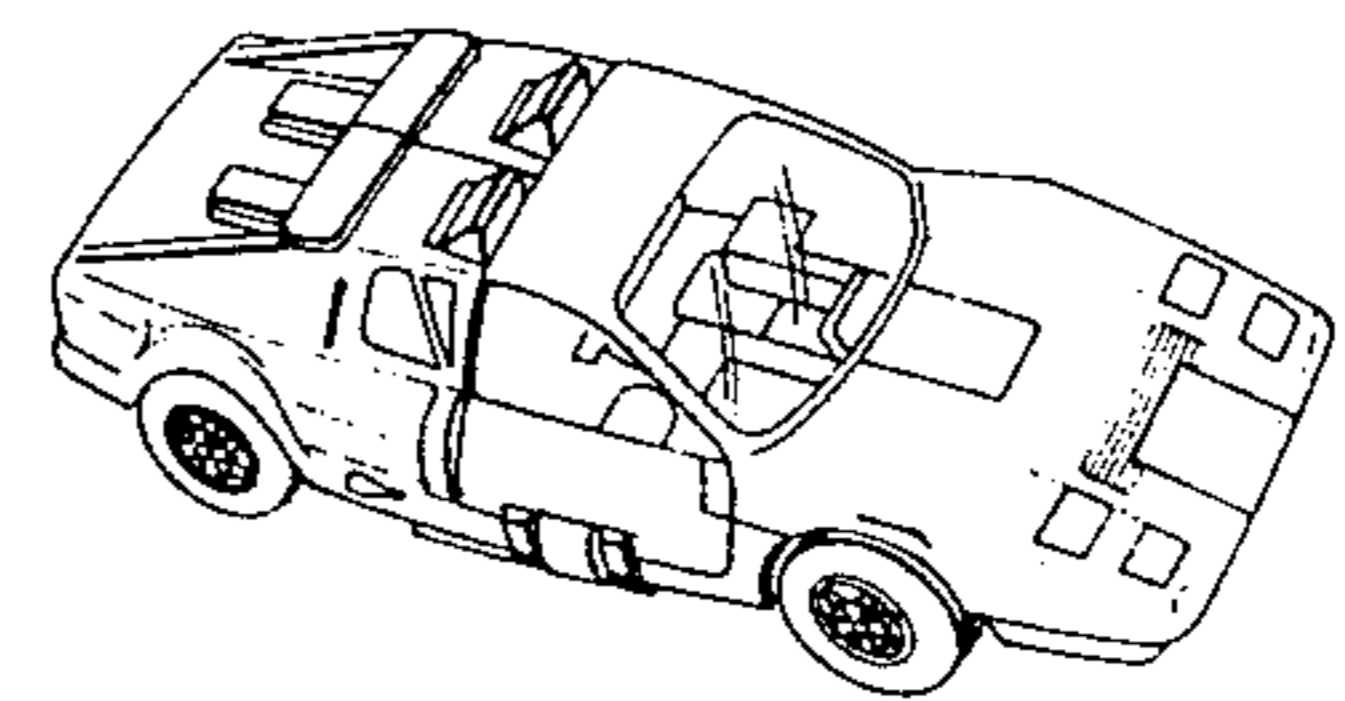
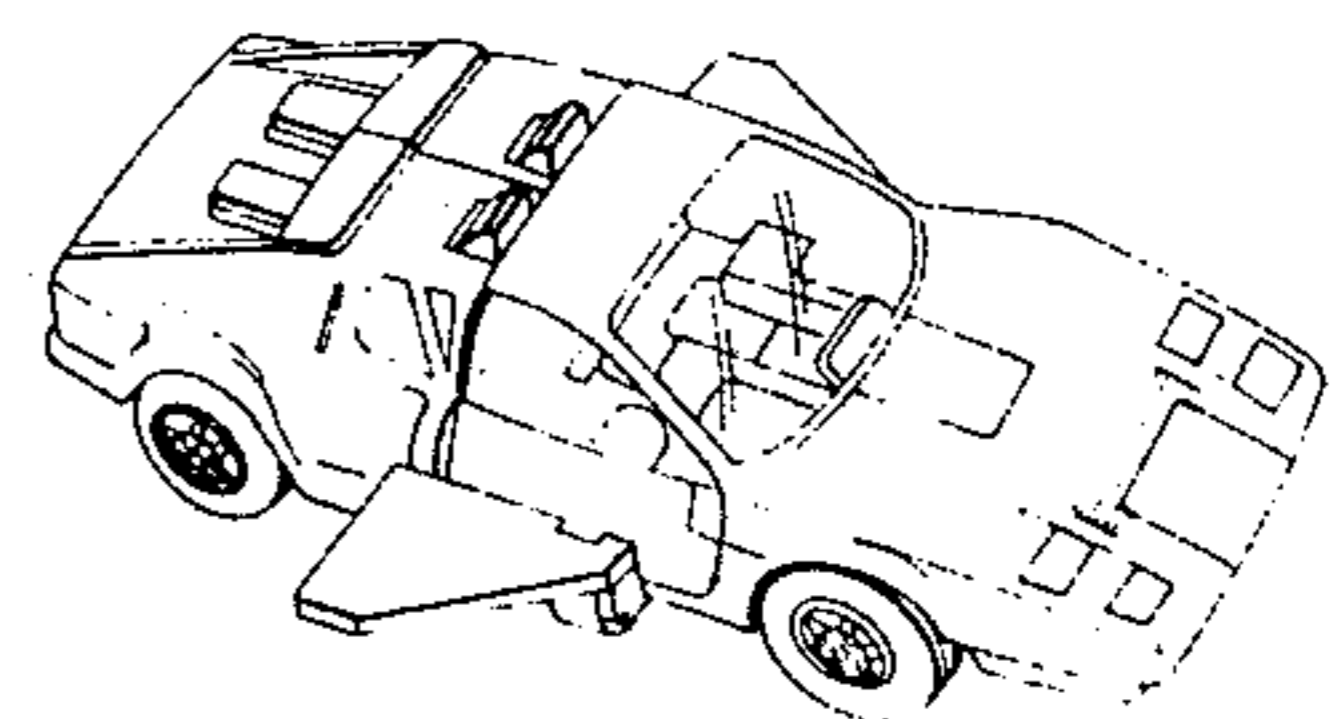
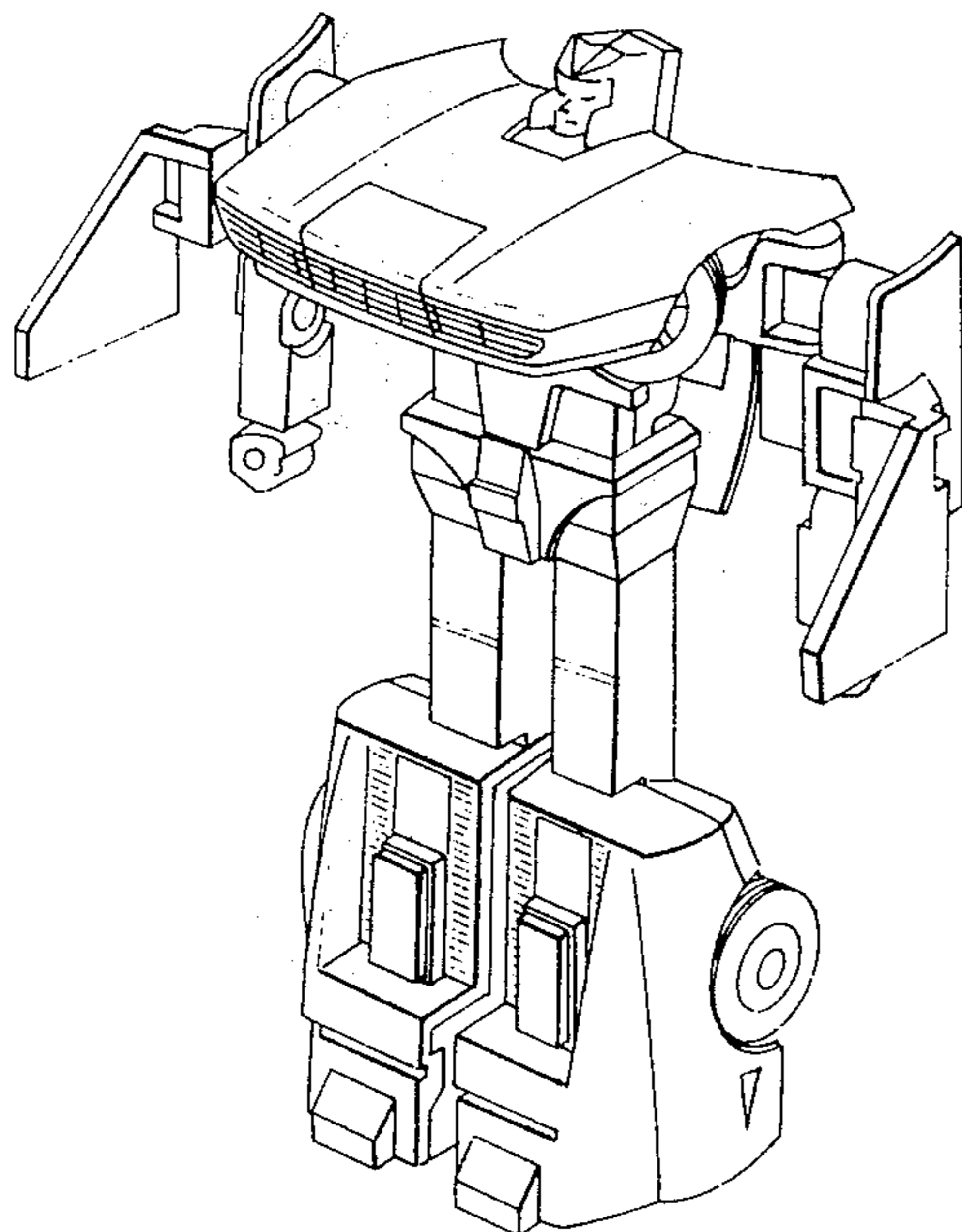


FIG.2

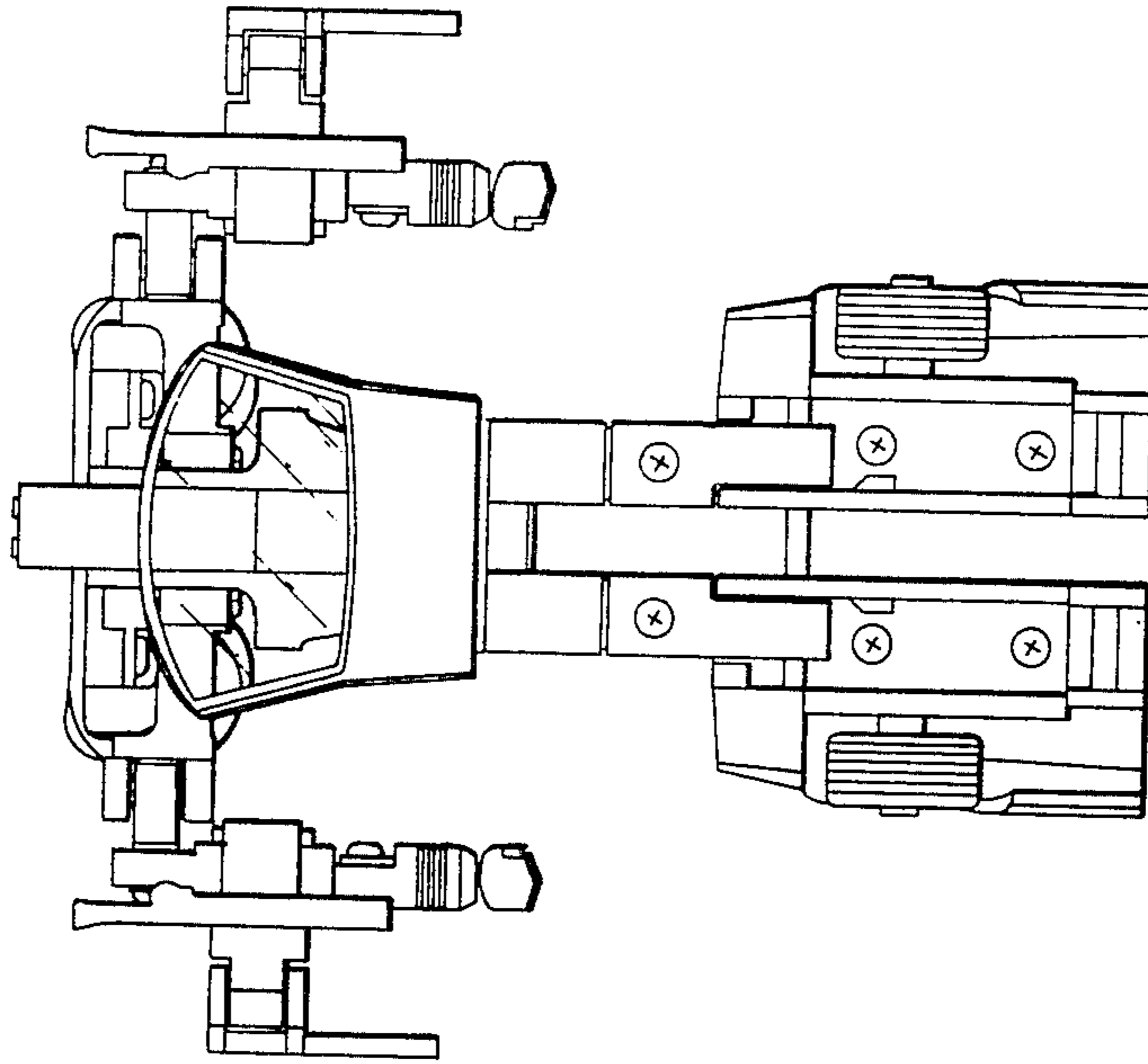


FIG.1

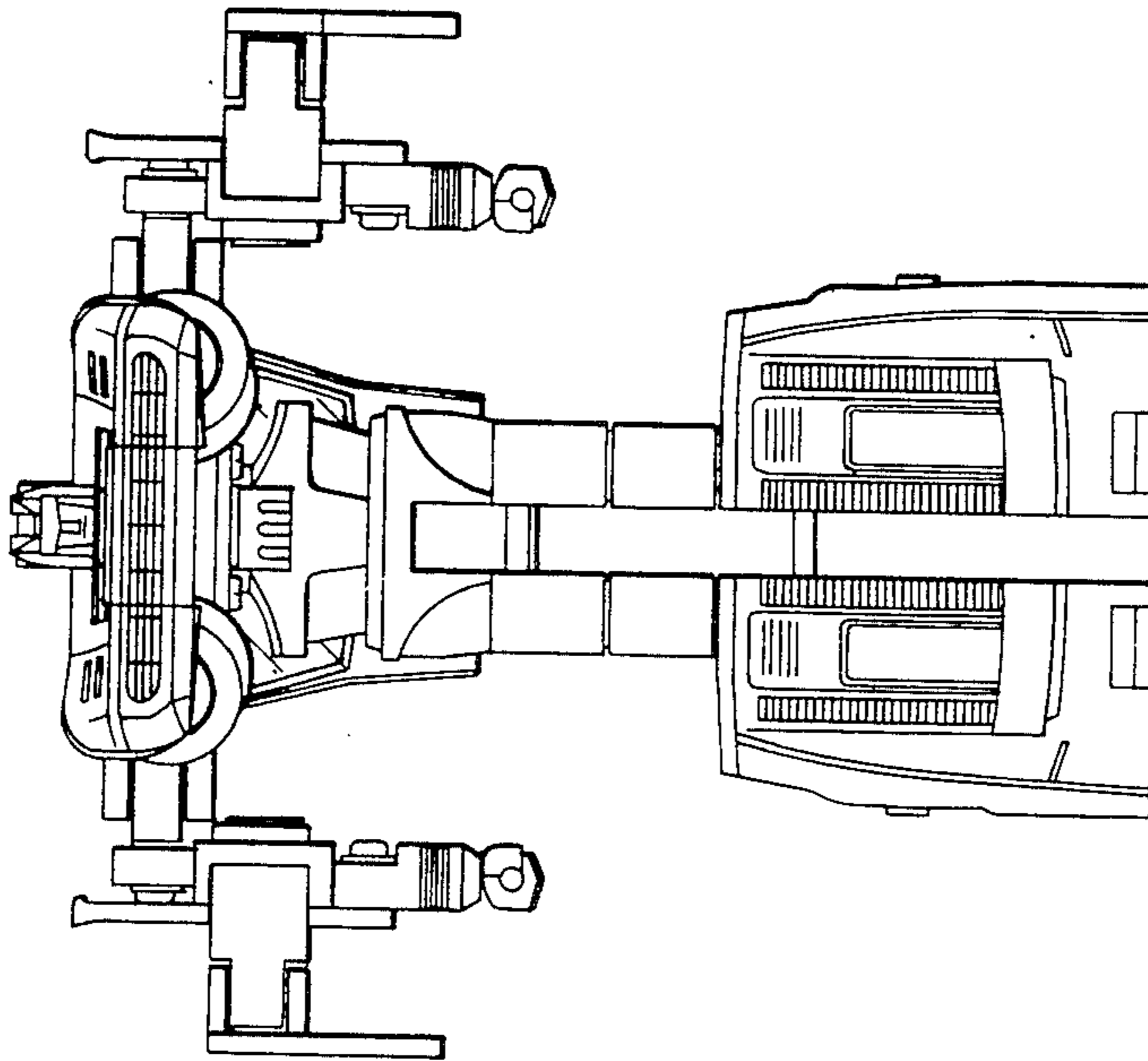


FIG.4

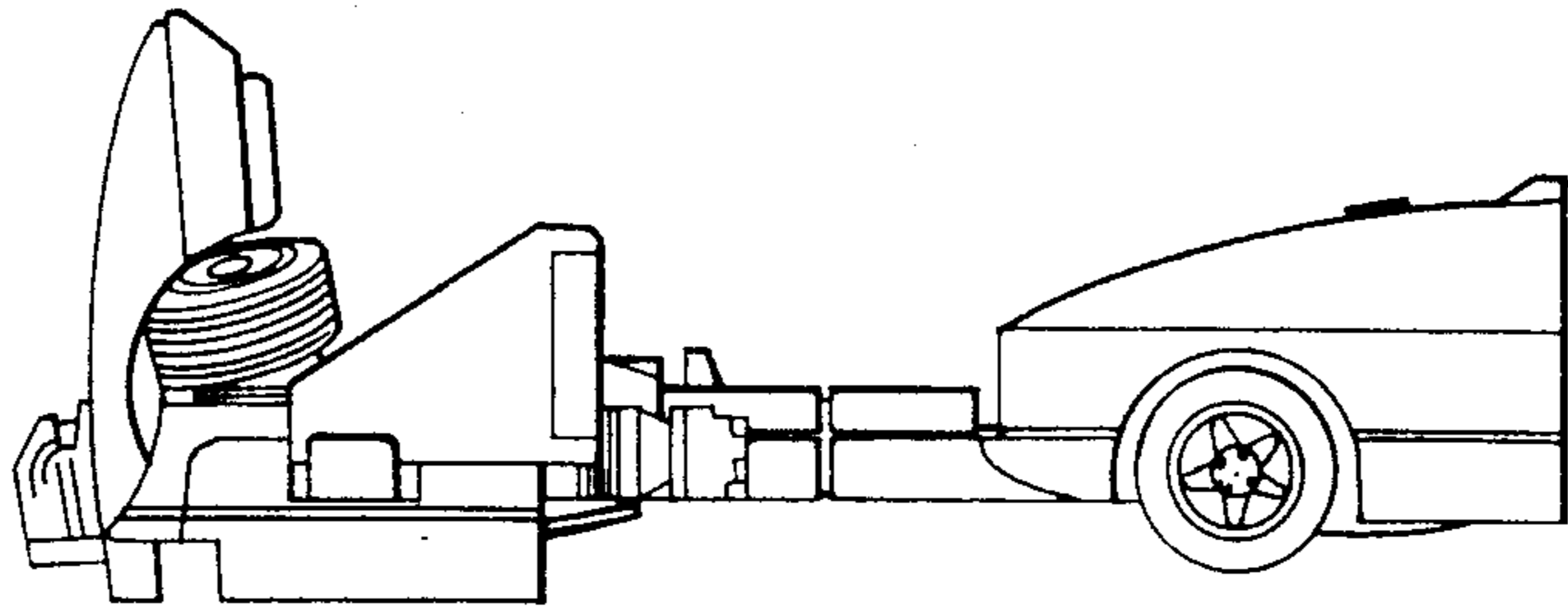


FIG.3

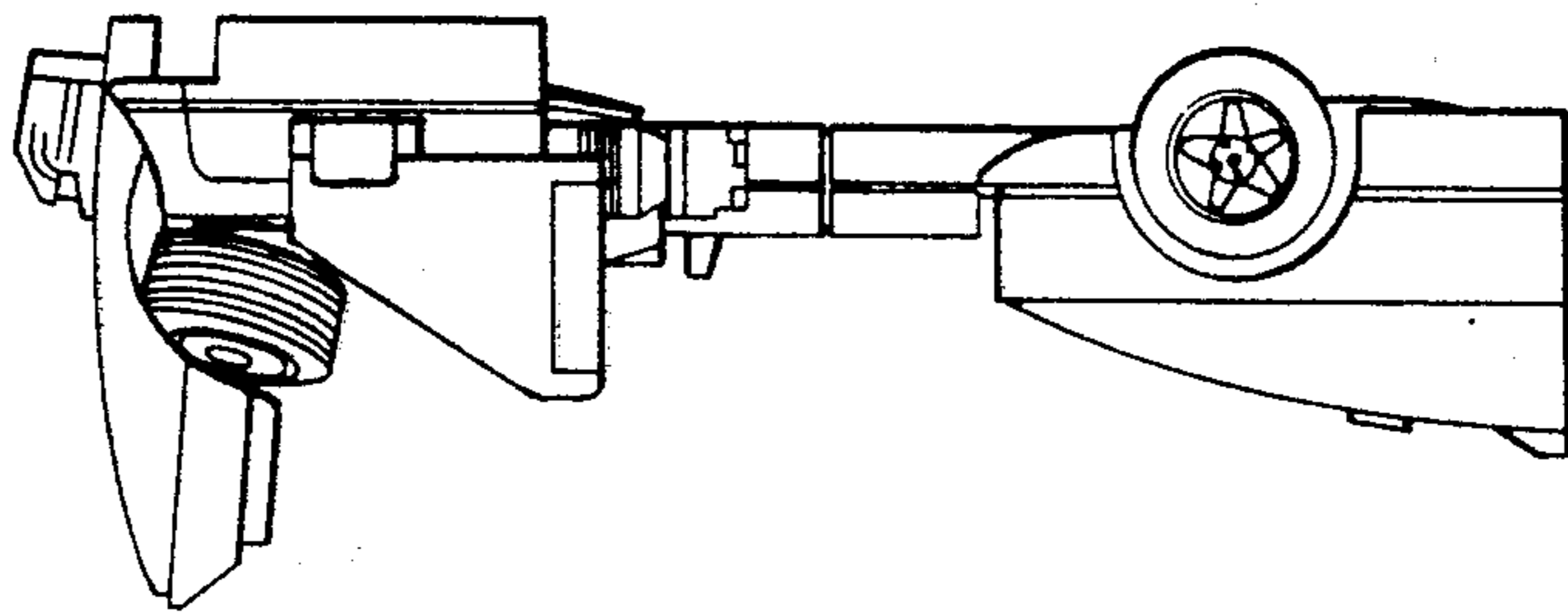


FIG.6

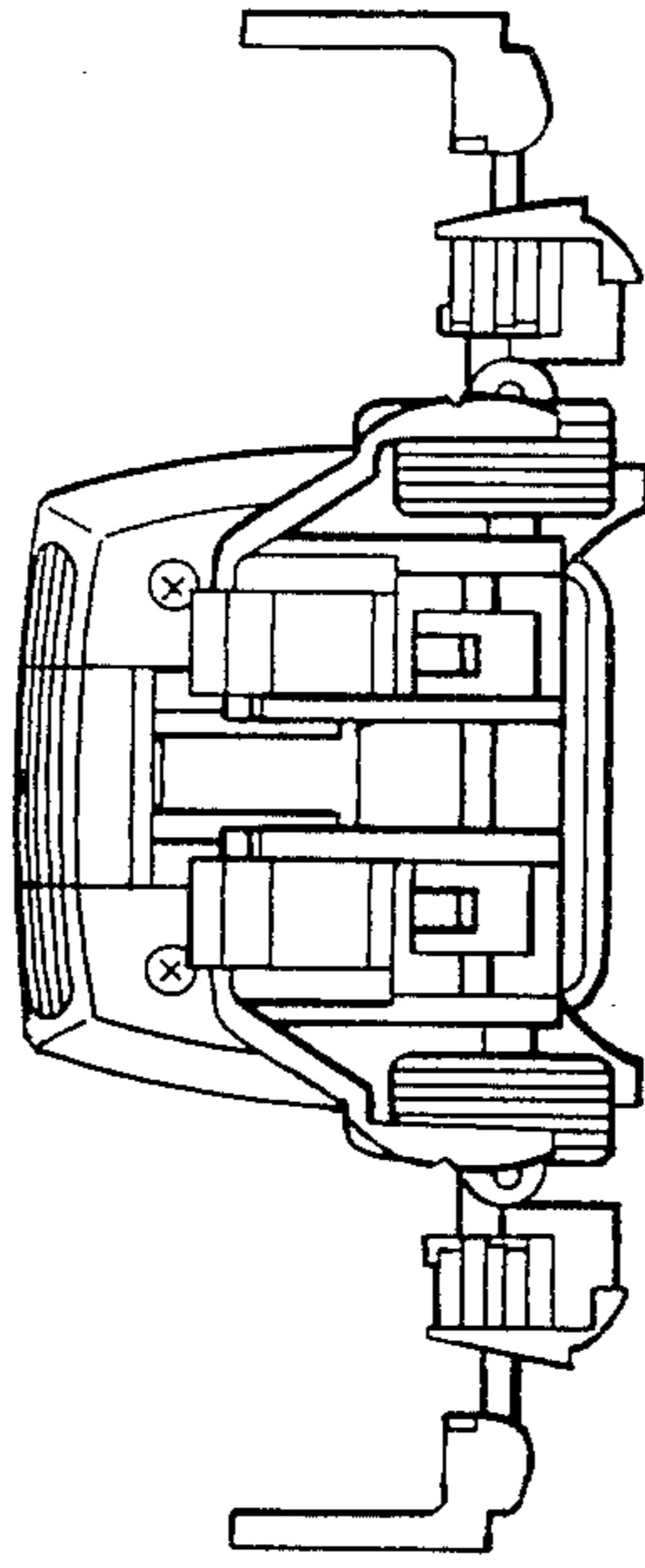


FIG.5

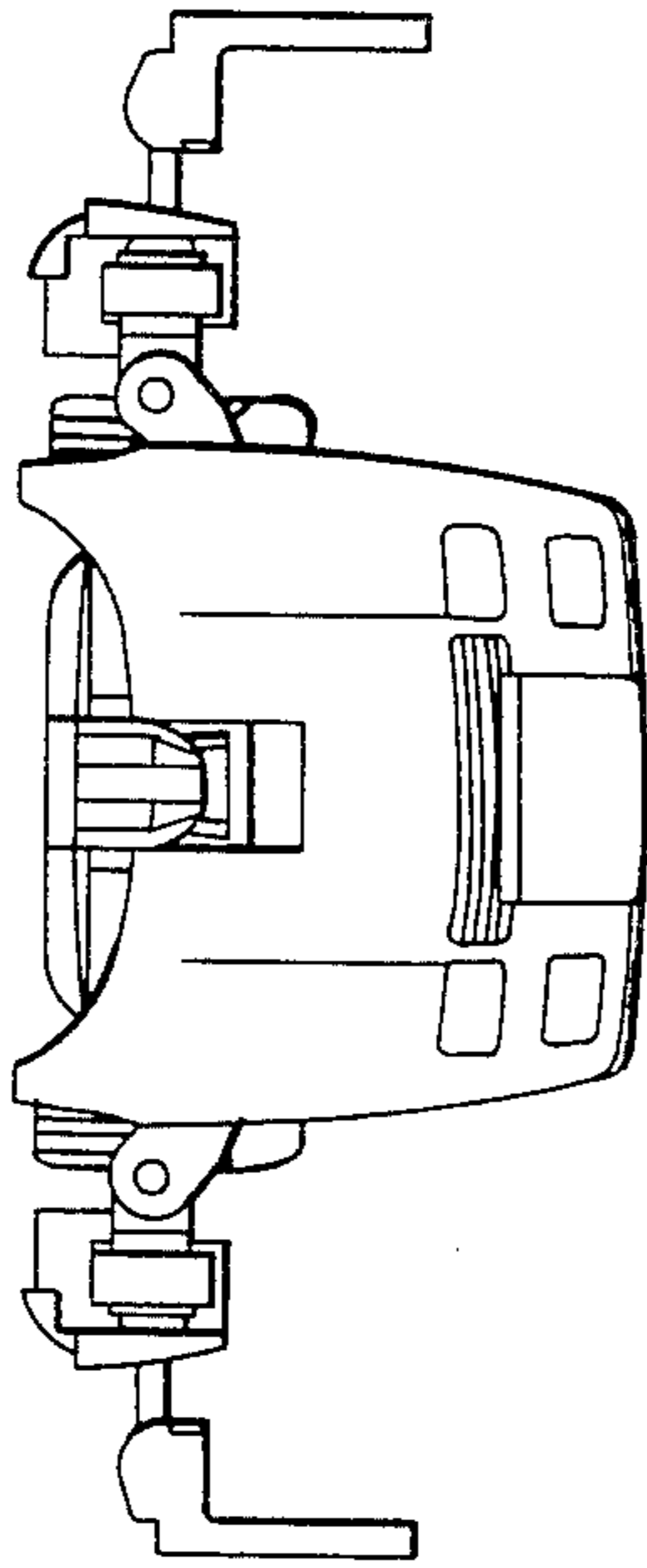




FIG.7

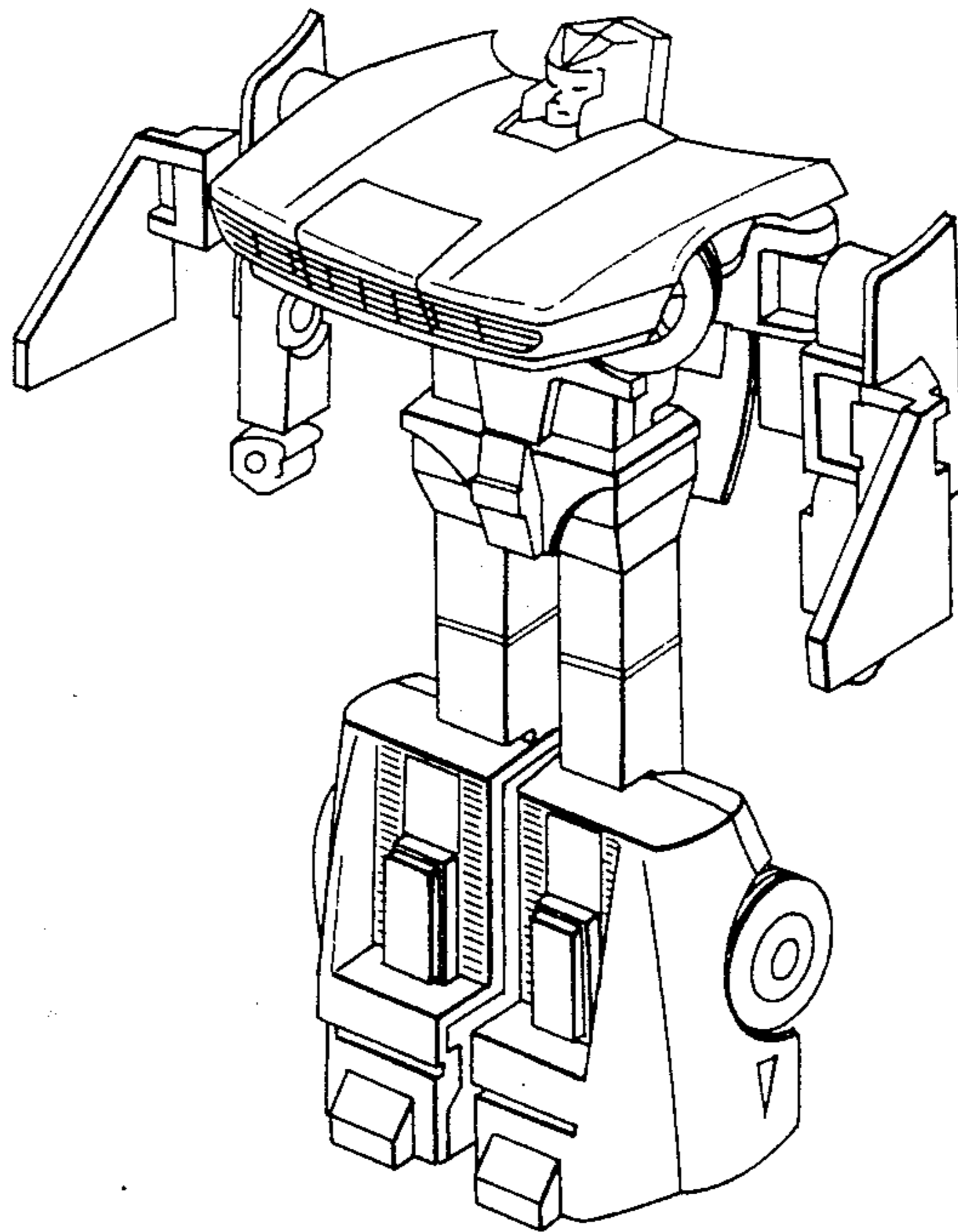
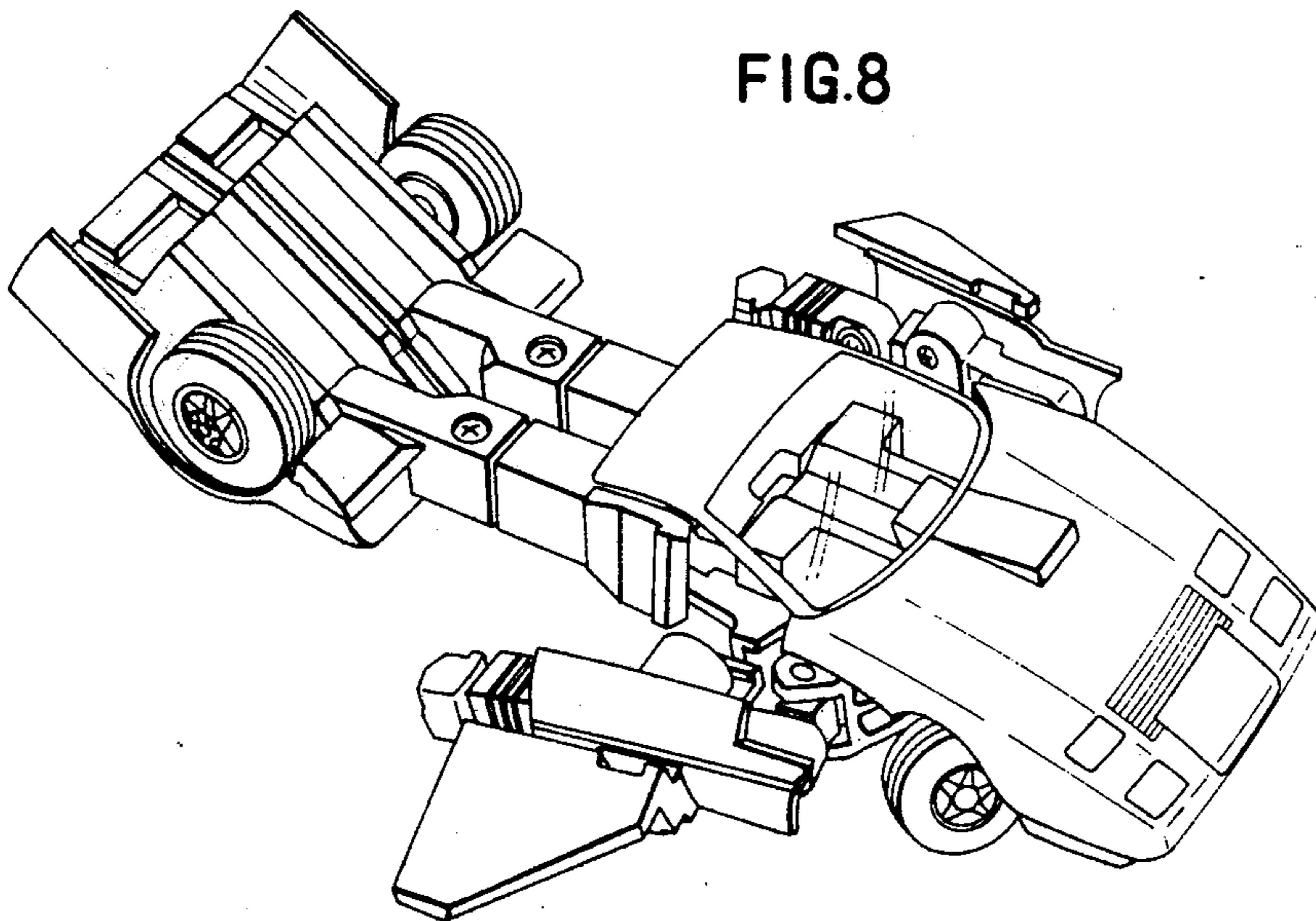


FIG.8



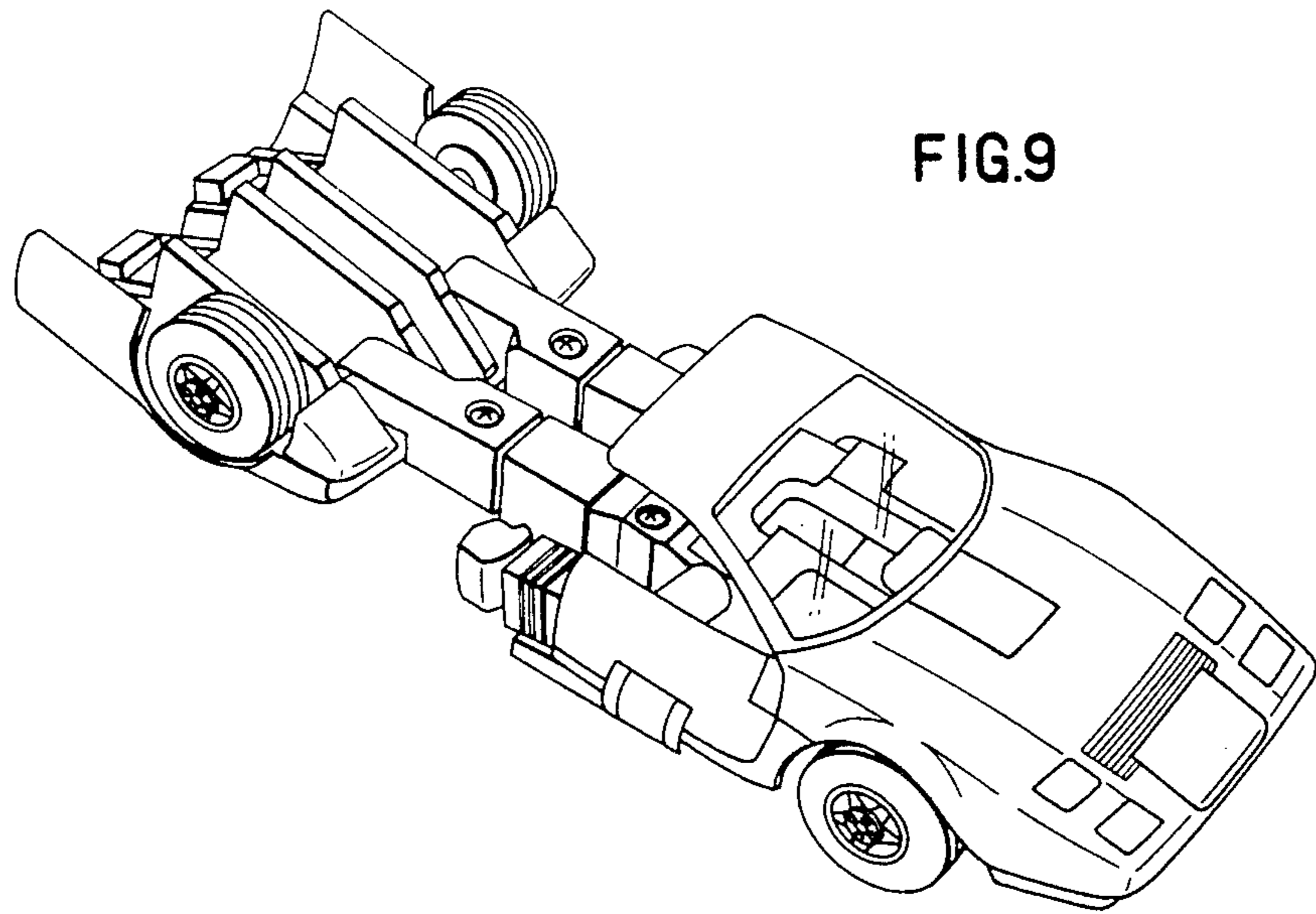


FIG. 10

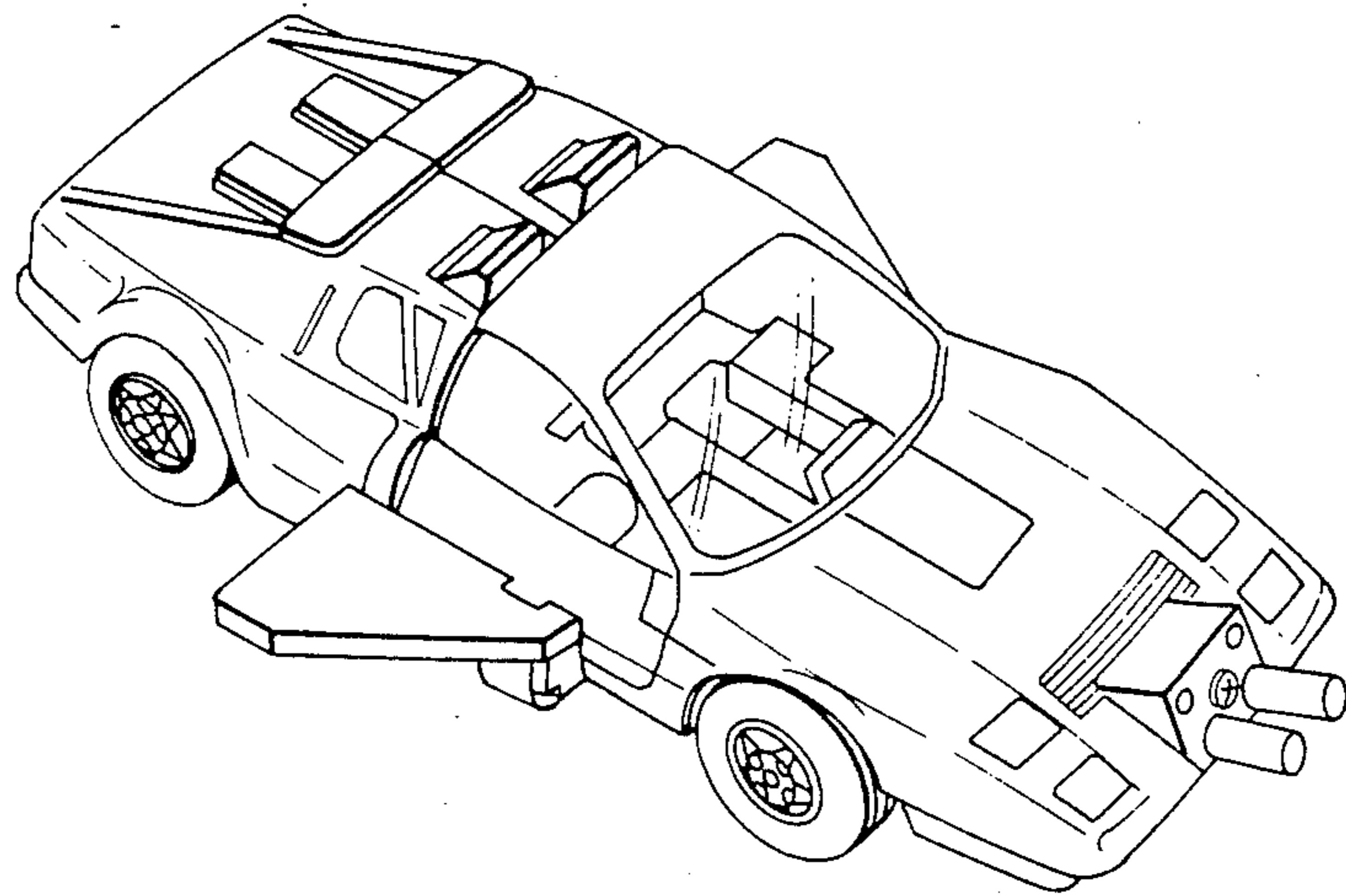


FIG.11

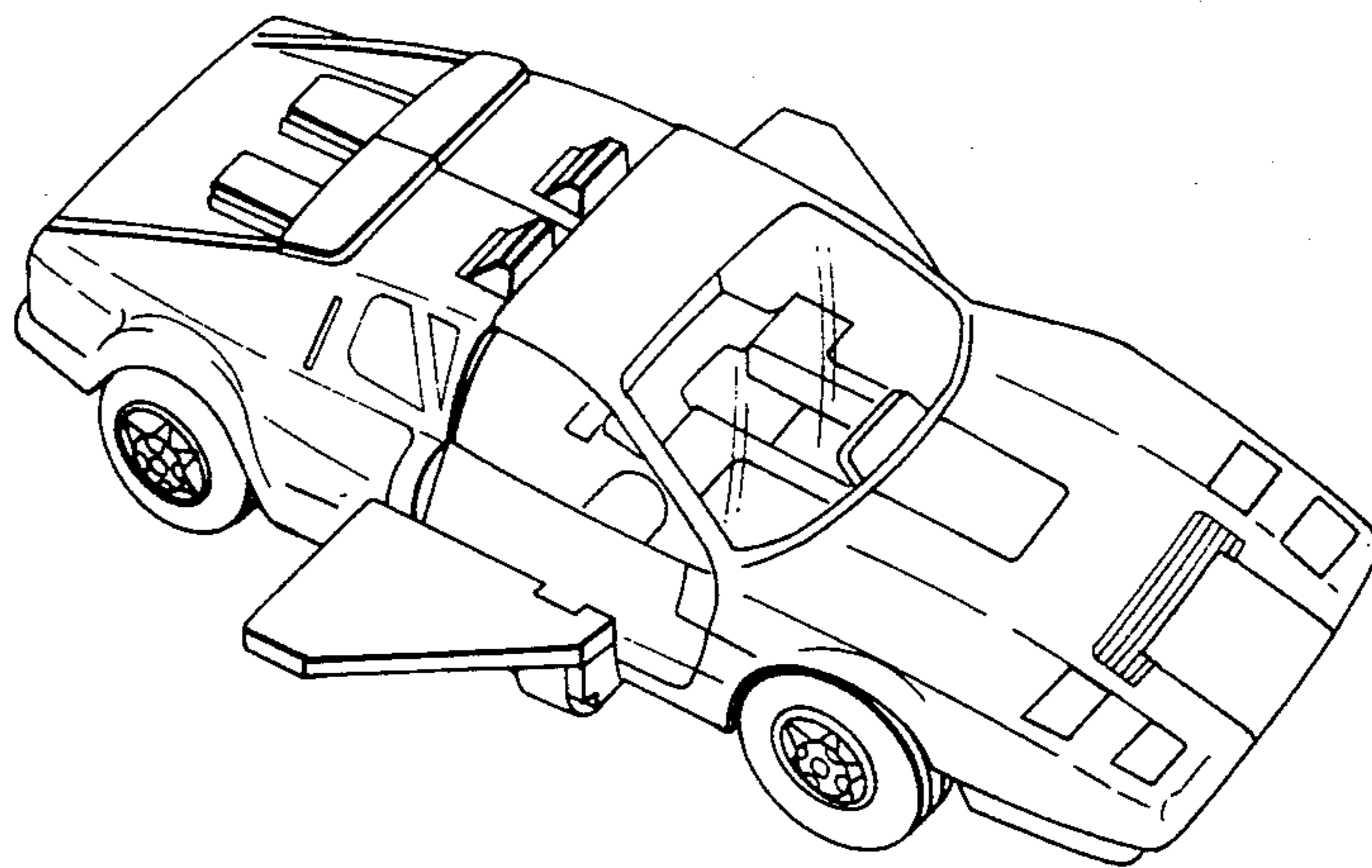


FIG.12

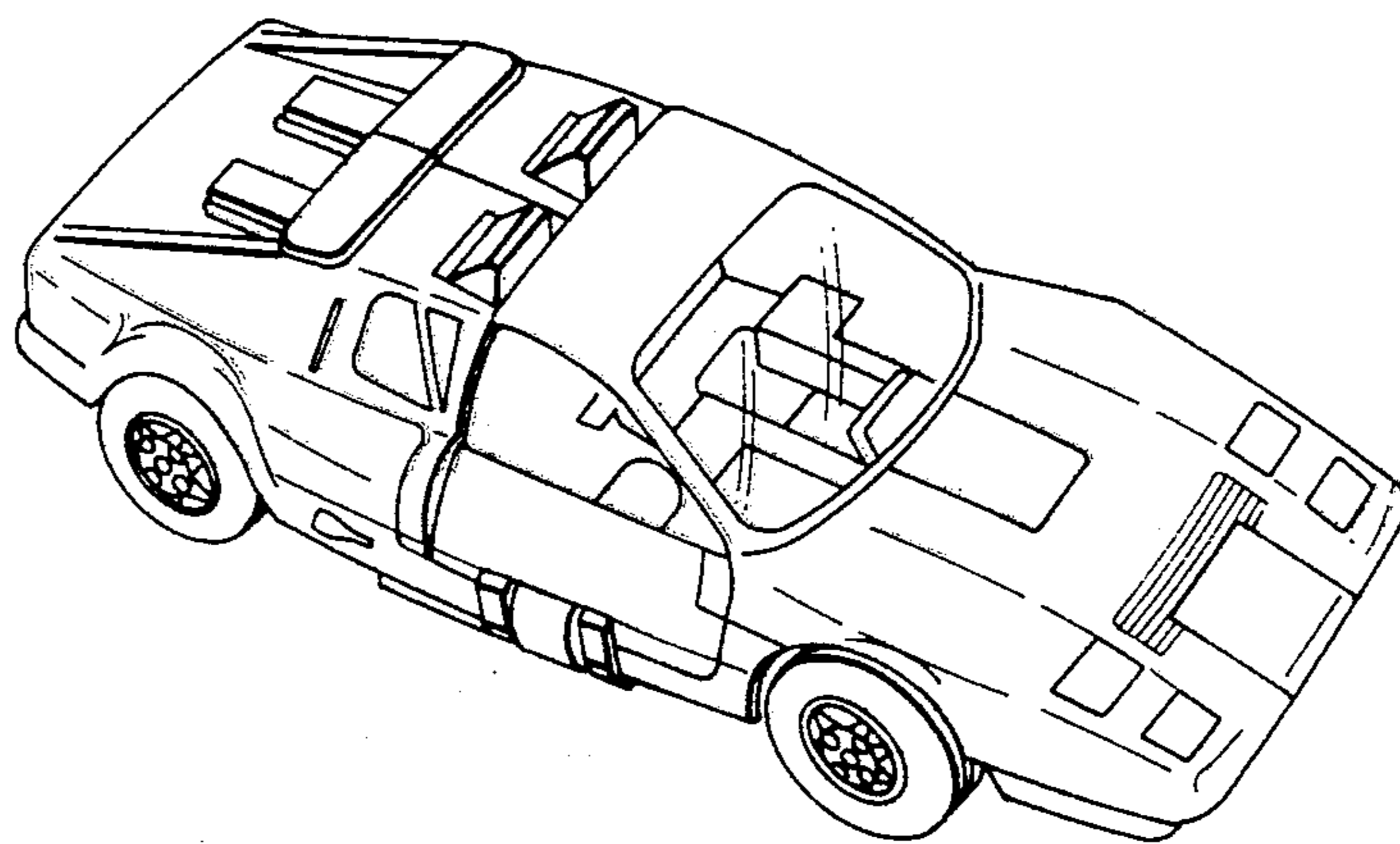


FIG.13

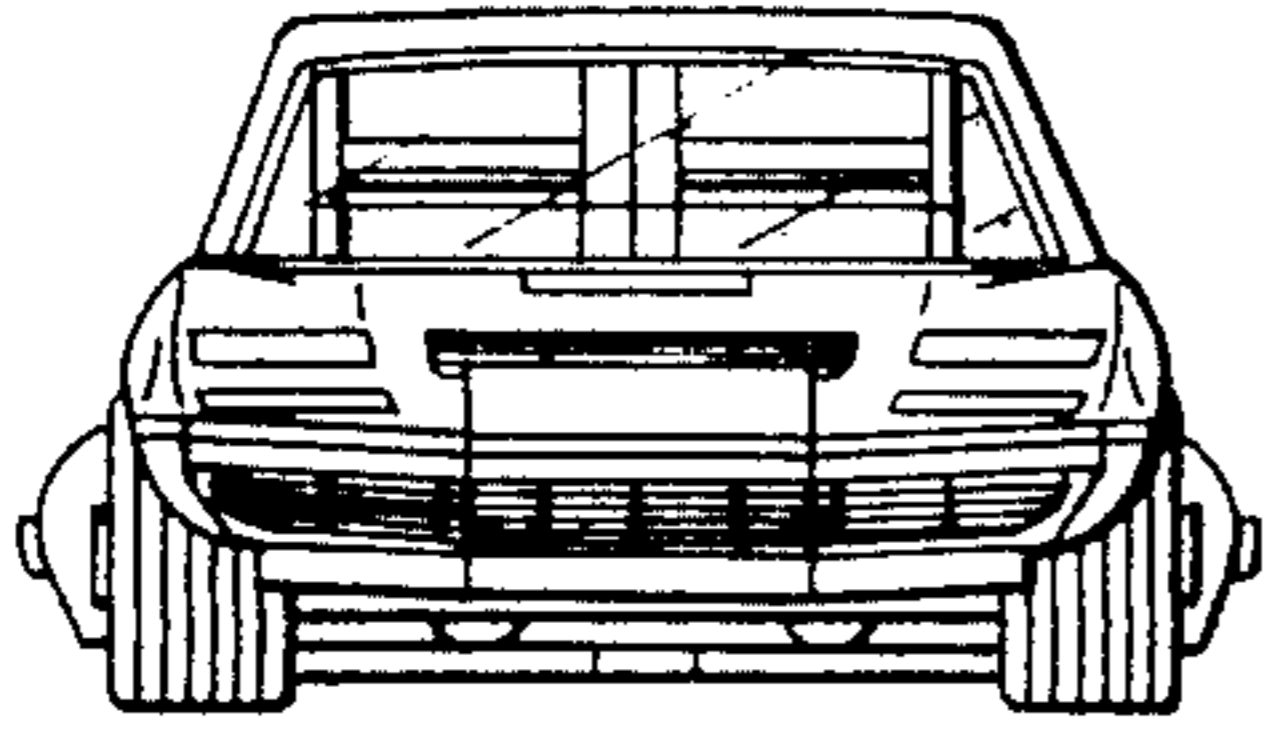


FIG.14

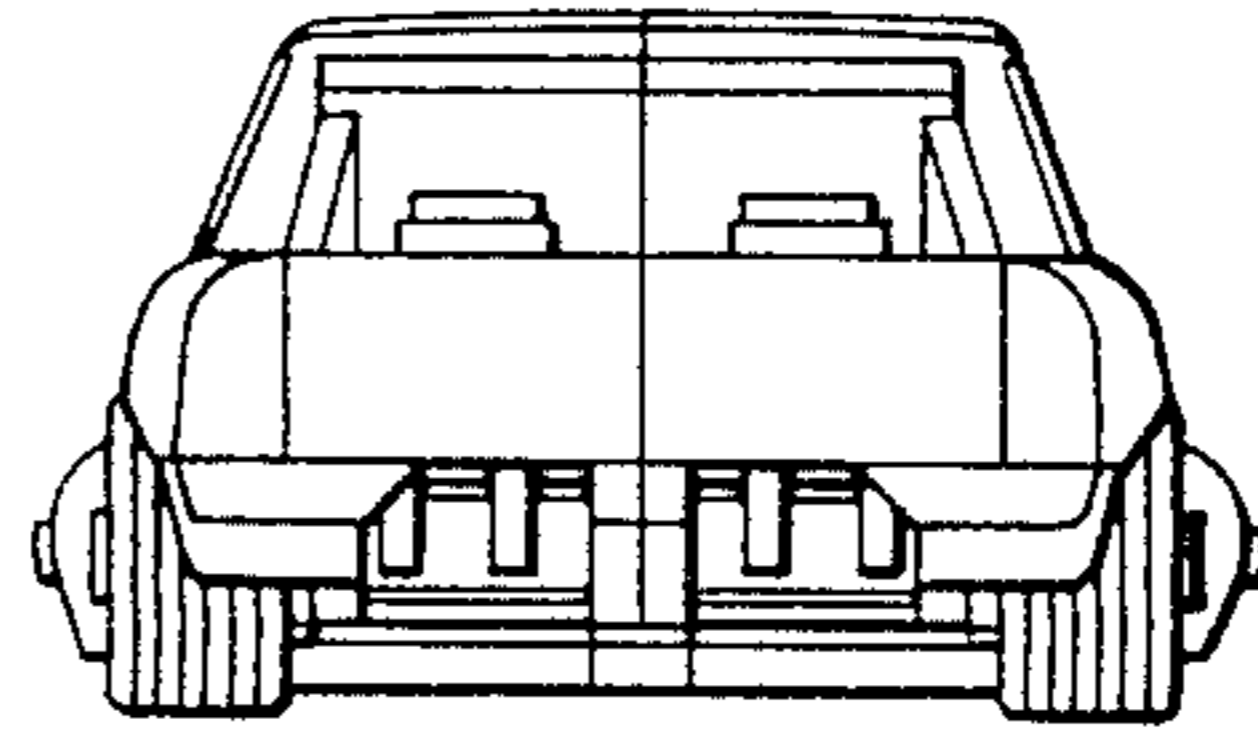


FIG.15

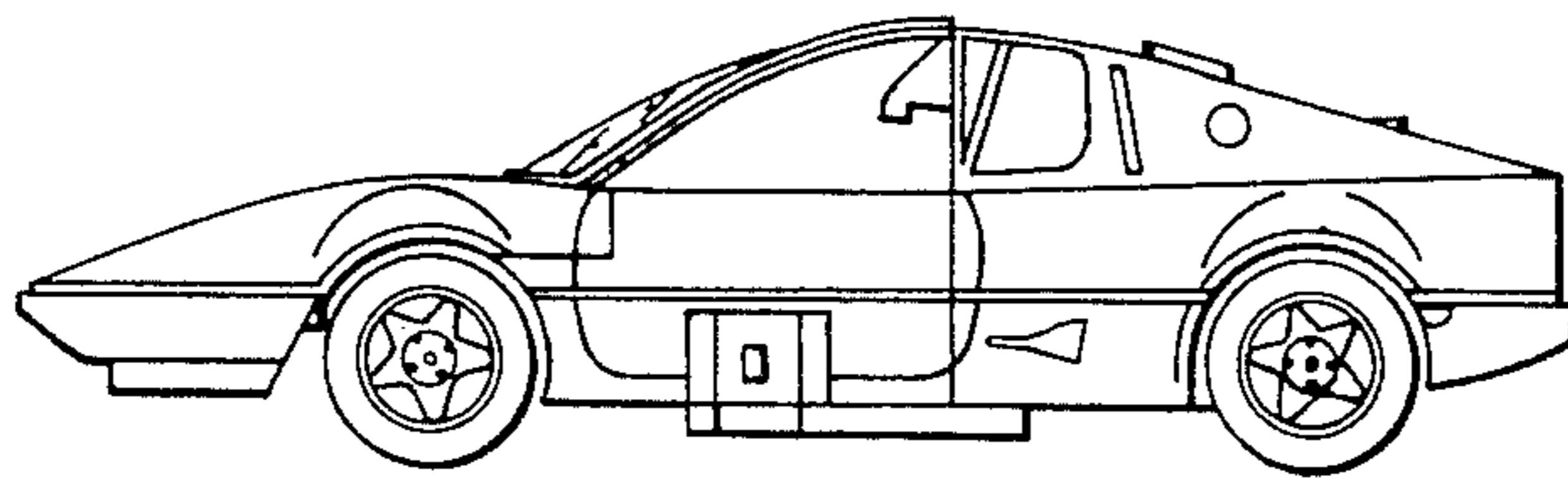


FIG.16

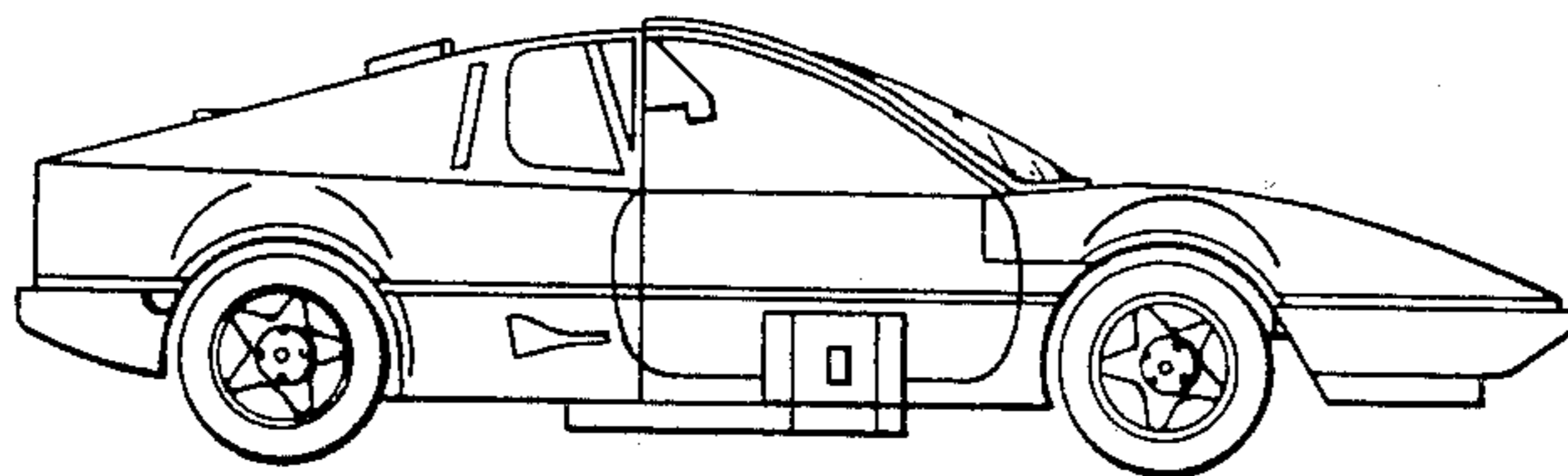




FIG.18

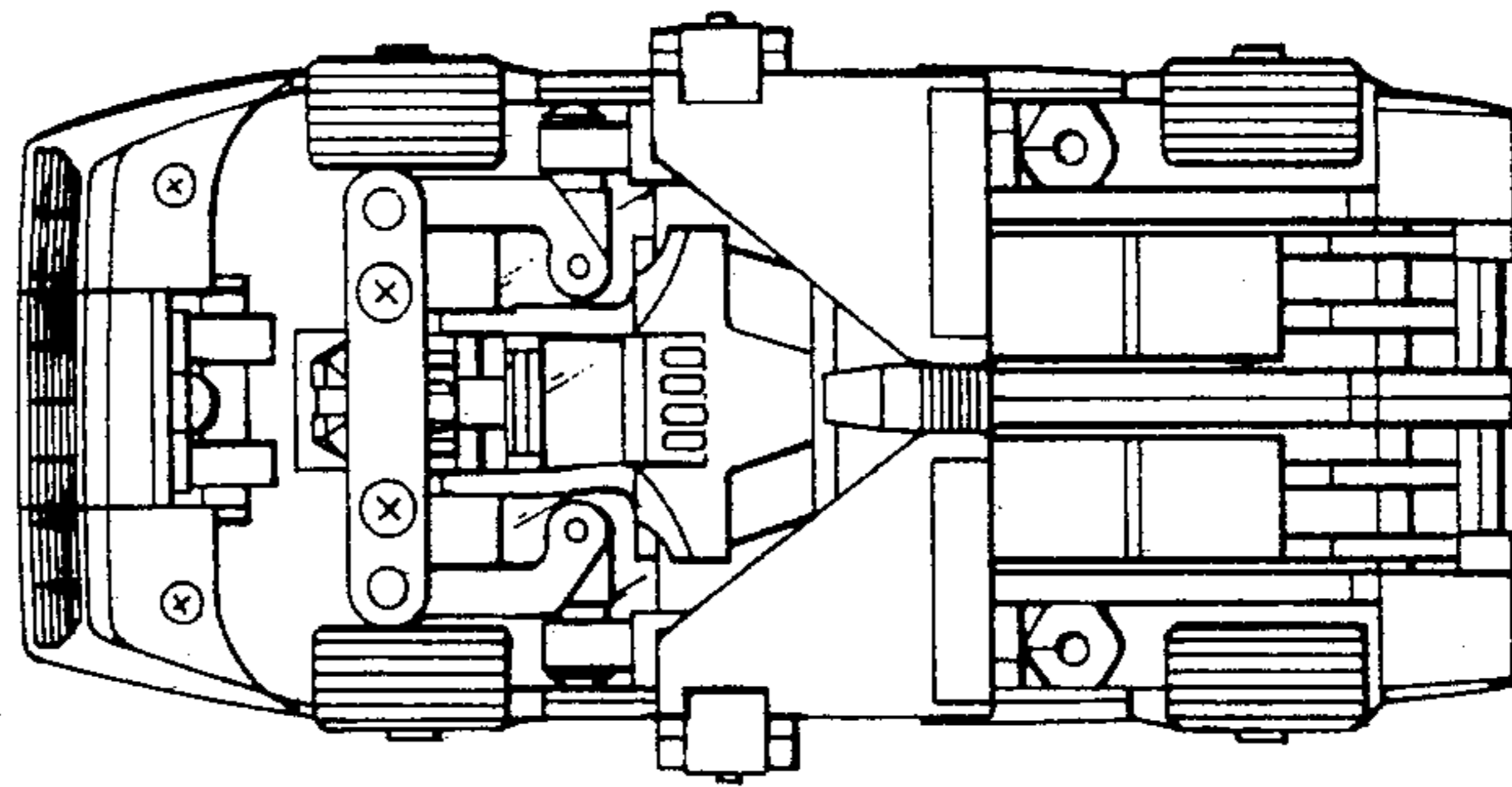


FIG.17

