

[54] COMBINED TOY TRACTOR, TRAILER AND BULLDOZER

[76] Inventor: John A. Dorelli, 315 Rose St., Glenwood, Ill. 60425

[\*\*] Term: 14 Years

[21] Appl. No.: 595,598

[22] Filed: Apr. 2, 1984

[52] U.S. Cl. .... D21/134; D21/131

[58] Field of Search ..... D21/85, 134, 131, 135, D21/136, 128; 446/431, 433, 434, 470, 471, 465

[56] References Cited

U.S. PATENT DOCUMENTS

D. 254,152 2/1980 Marden ..... D21/134

D. 266,341 9/1982 Breneman ..... D21/134  
D. 267,573 1/1983 Breneman ..... D21/135

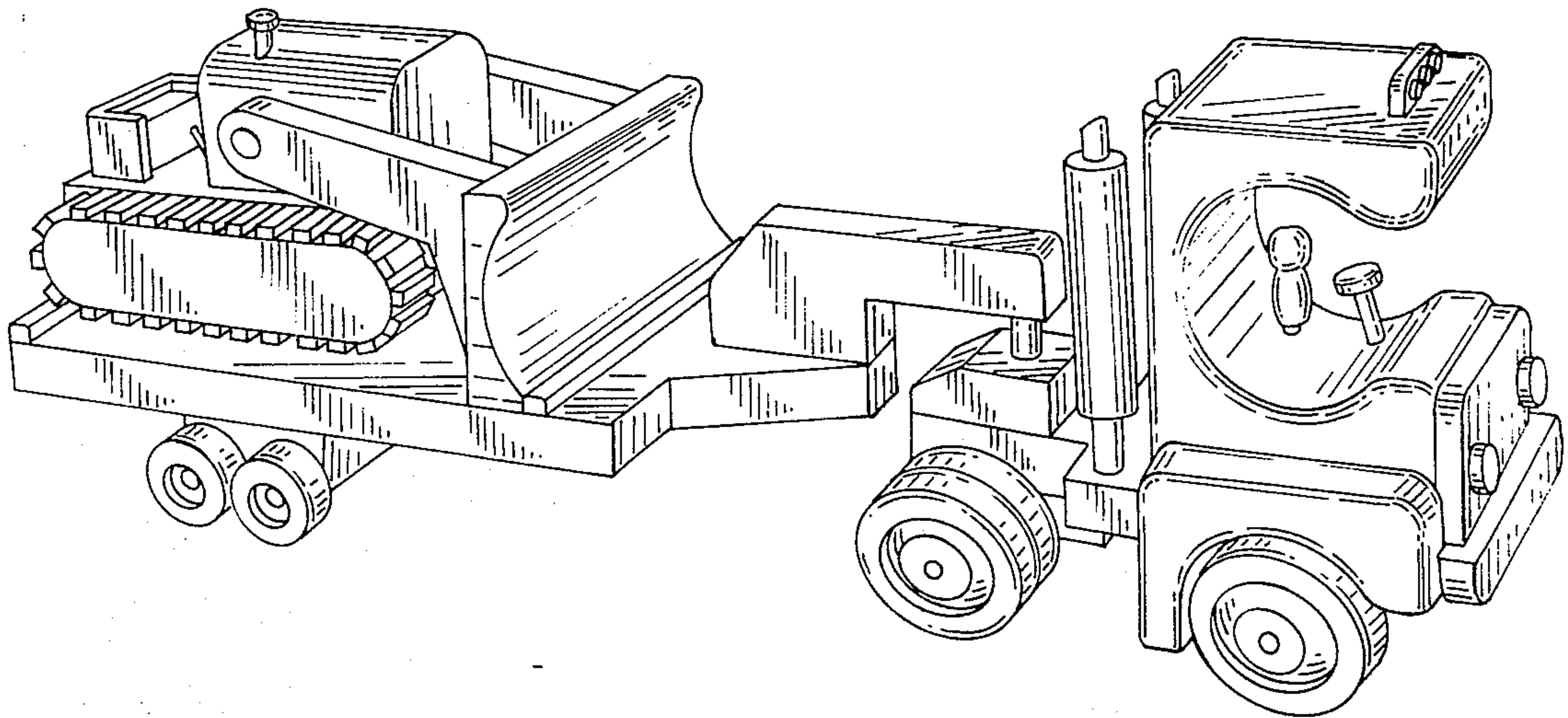
Primary Examiner—Charles A. Rademaker  
Attorney, Agent, or Firm—Sabin C. Bronson

[57] CLAIM

The ornamental design for a combined toy tractor, trailer and bulldozer, as shown and described.

DESCRIPTION

FIG. 1 is a perspective view of a combined toy tractor, trailer and bulldozer showing my new design; FIG. 2 is a top plan view thereof; FIG. 3 is a front elevational view thereof; FIG. 4 is a side elevational view thereof; FIG. 5 is a rear elevational view thereof; and, FIG. 6 is a top plan view thereof.



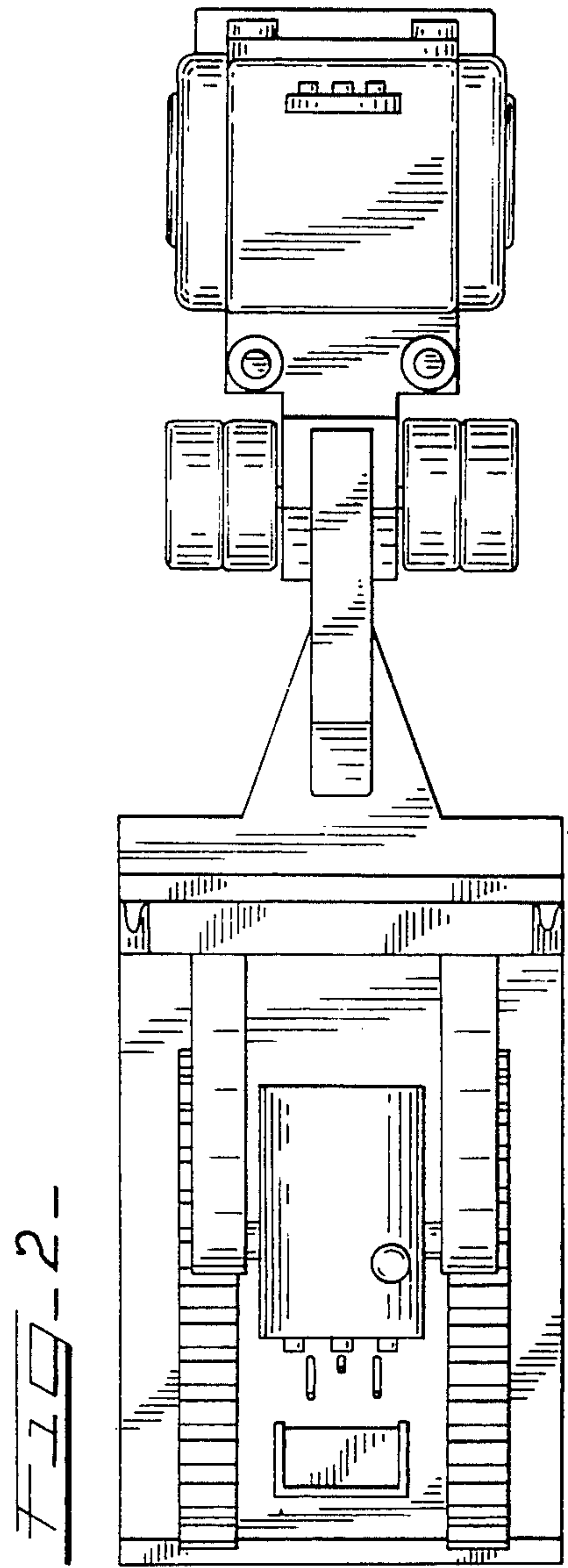
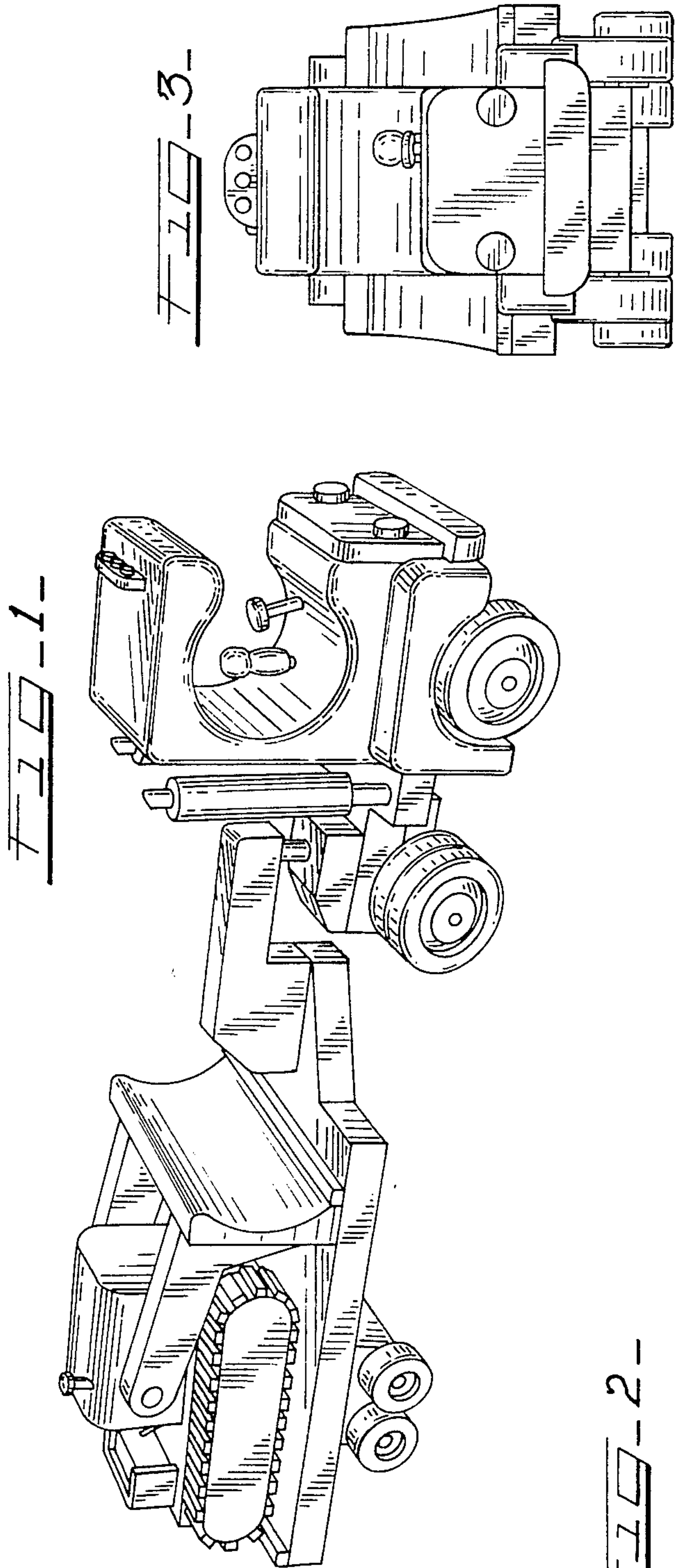


FIG-4-

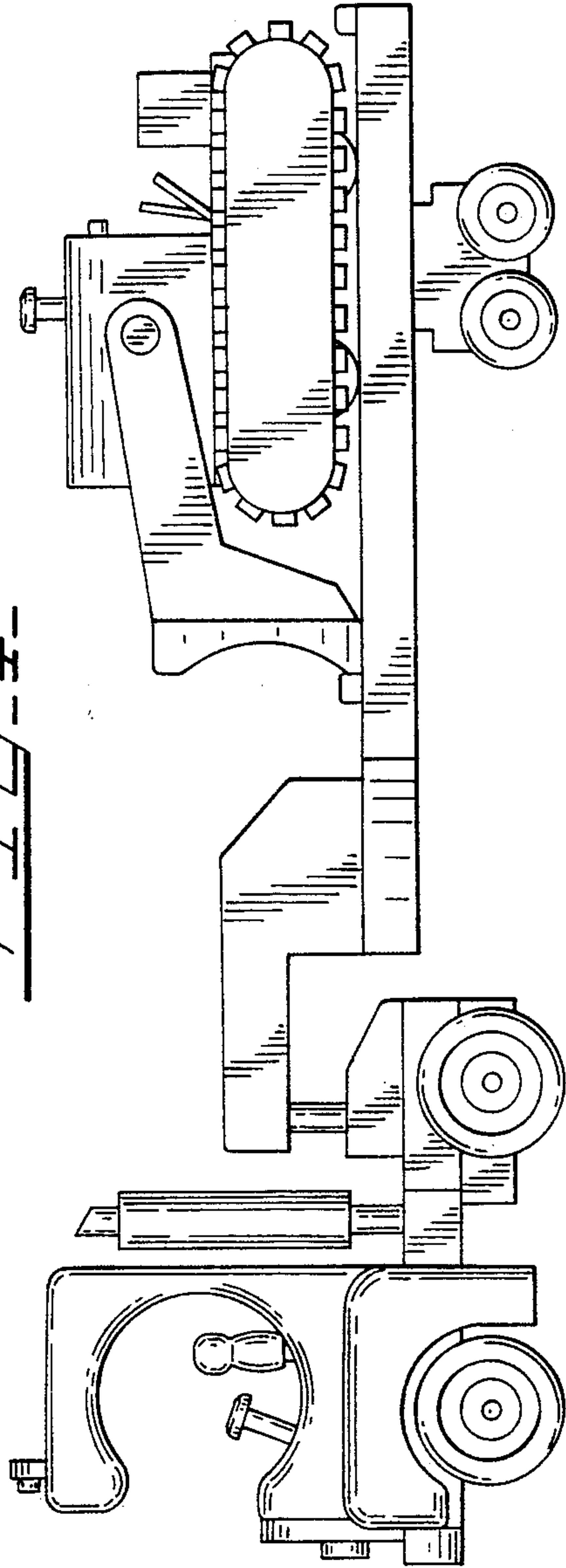


FIG-5-

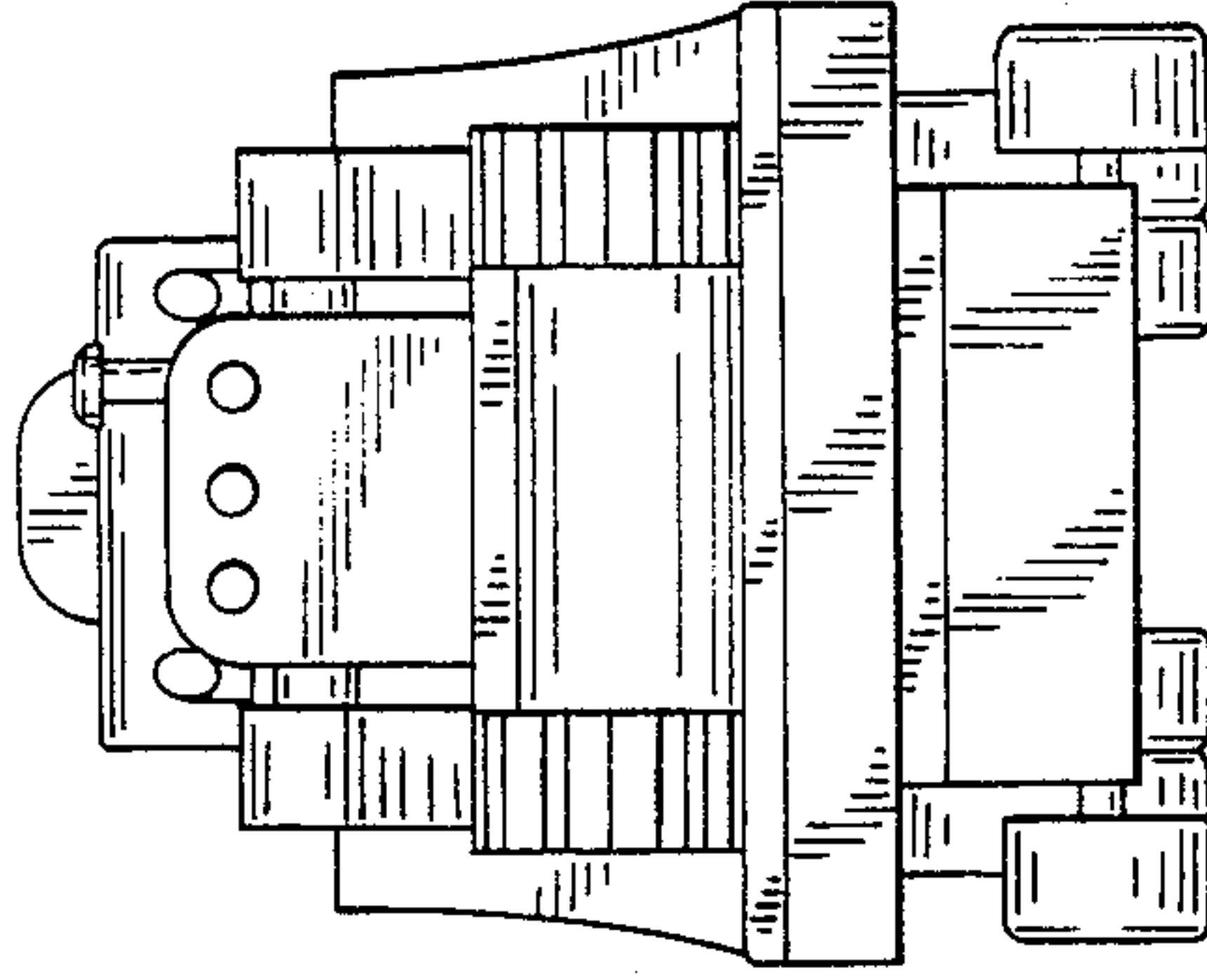


FIG-6-

