

[54] COMBINED VERTICAL SORTER AND LETTER TRAY

[75] Inventor: Jam Sun, Taipei, Taiwan

[73] Assignee: Sun Office Products, Inc., Taipei, Taiwan

[**] Term: 14 Years

[21] Appl. No.: 465,039

[22] Filed: Feb. 8, 1983

[52] U.S. Cl. D19/90; D19/92

[58] Field of Search D19/75, 78, 86, 90-92; 211/126, 9-11

[56] References Cited

U.S. PATENT DOCUMENTS

D. 220,014	2/1971	Rome et al.	D19/92
D. 260,102	8/1981	Evans	D19/92
D. 269,017	5/1983	Martin	D19/92

4,438,852 3/1984 Evans D19/90

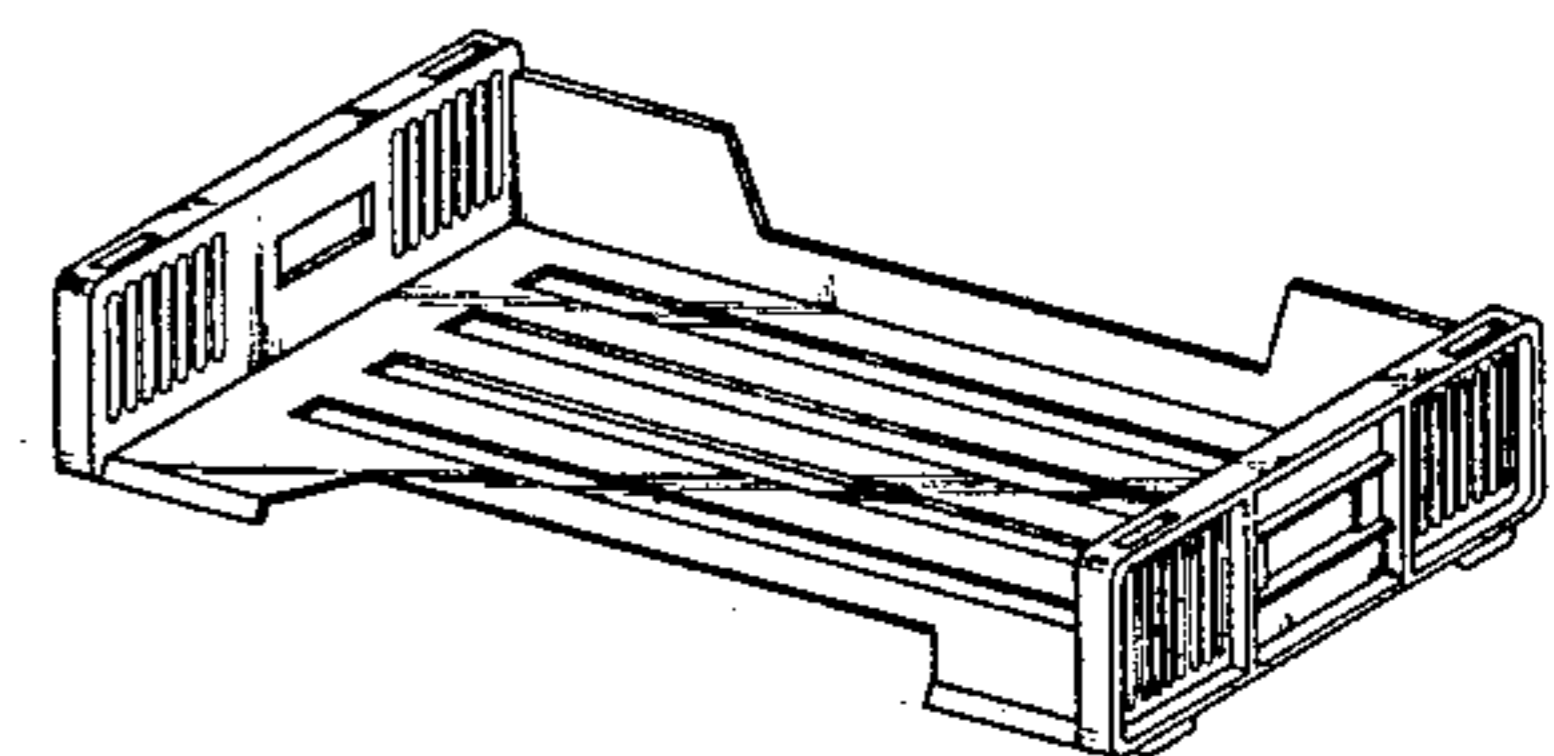
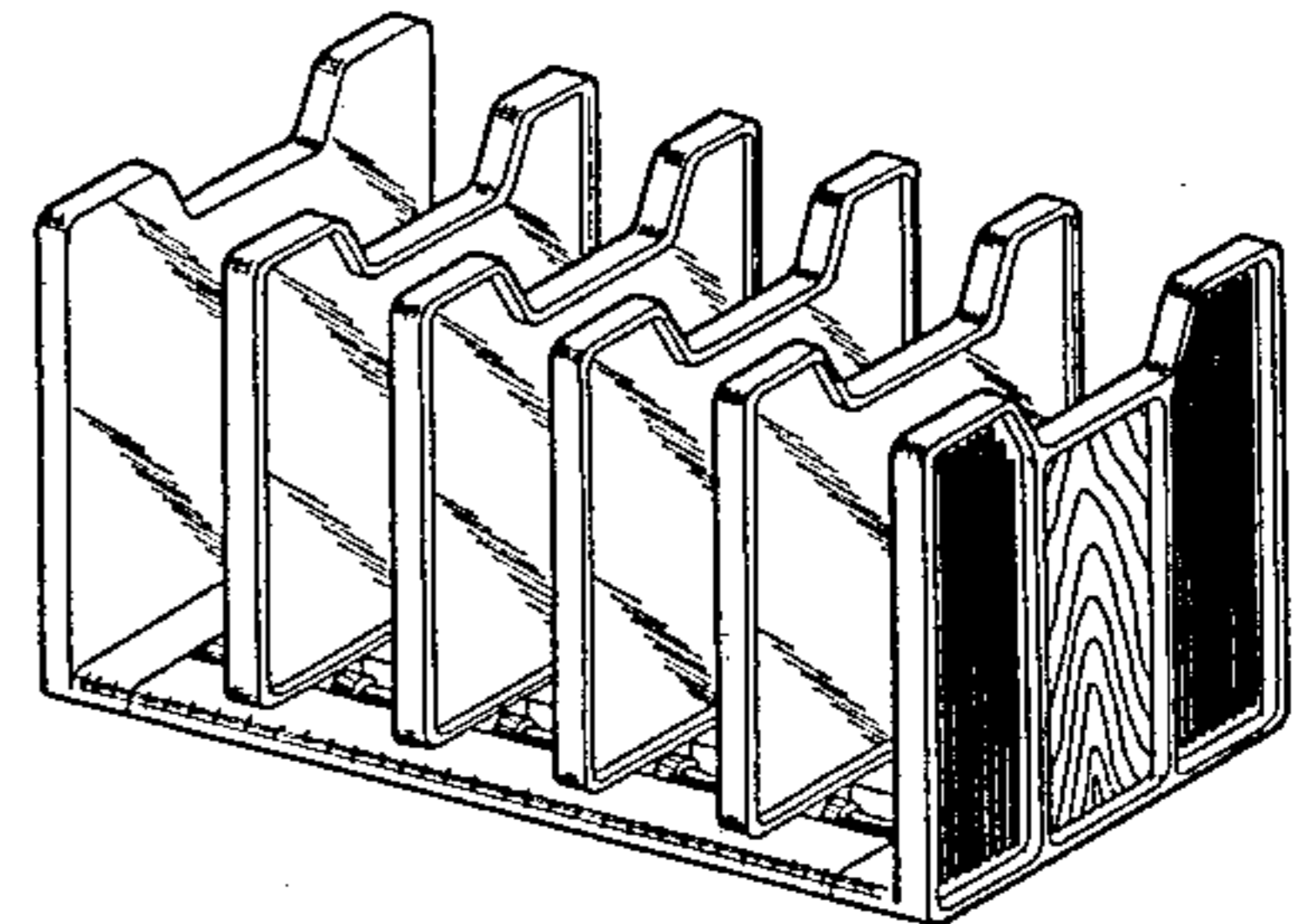
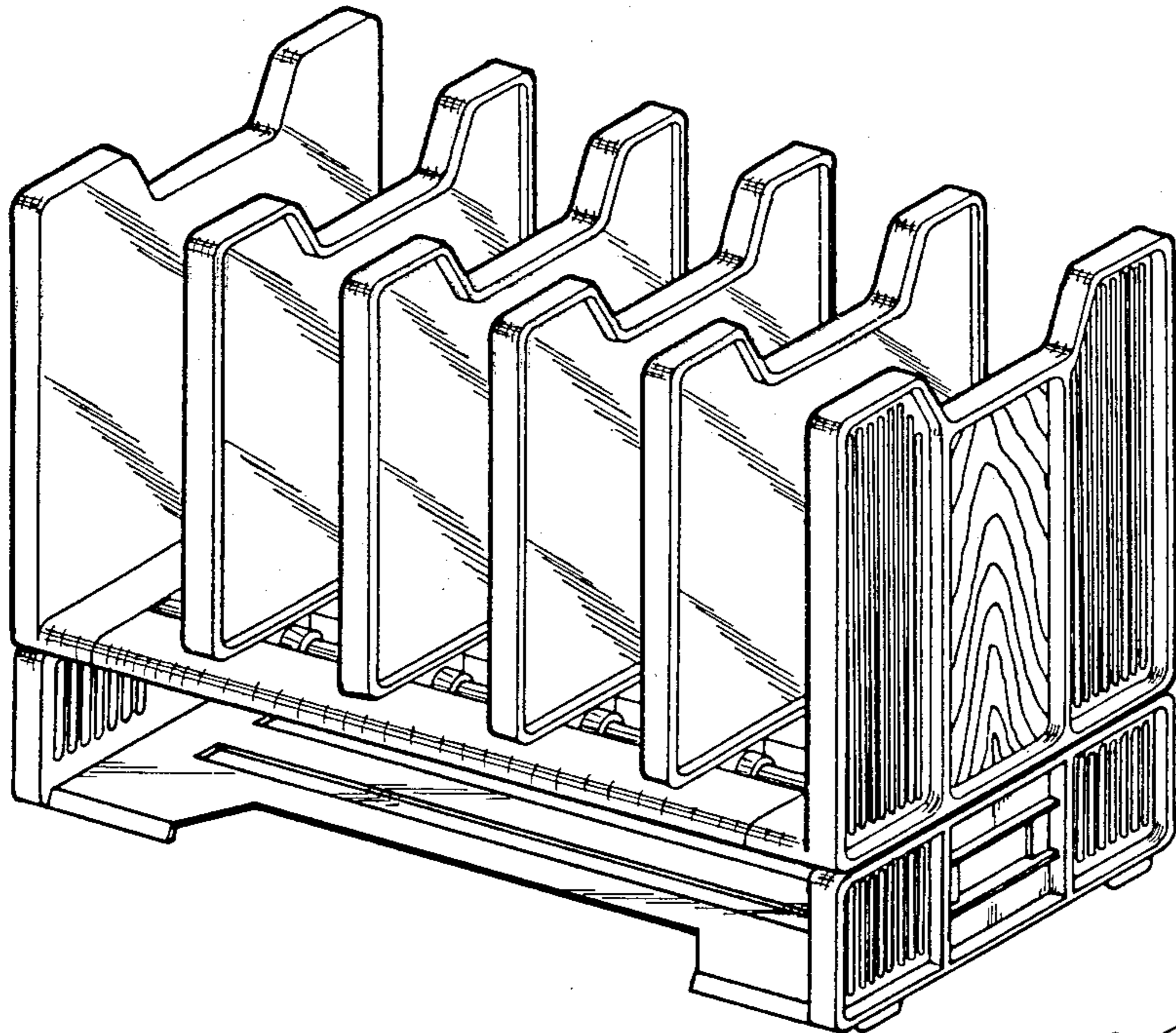
Primary Examiner—George P. Word
Attorney, Agent, or Firm—Lowe, Price, LeBlanc, Becker & Shur

[57] CLAIM

The ornamental design for a combined vertical sorter and letter tray, as shown and described.

DESCRIPTION

FIG. 1 is a perspective view of a combined vertical sorter and letter tray showing my new design; FIG. 2 is a top plan view thereof; FIG. 3 is a bottom plan view of the letter tray; FIG. 4 is a front elevational view of the combined vertical sorter and letter tray; FIG. 5 is a rear elevational view thereof; FIG. 6 is a right side elevational view thereof; FIG. 7 is a left side elevational view thereof; and FIG. 8 is an exploded perspective view thereof.



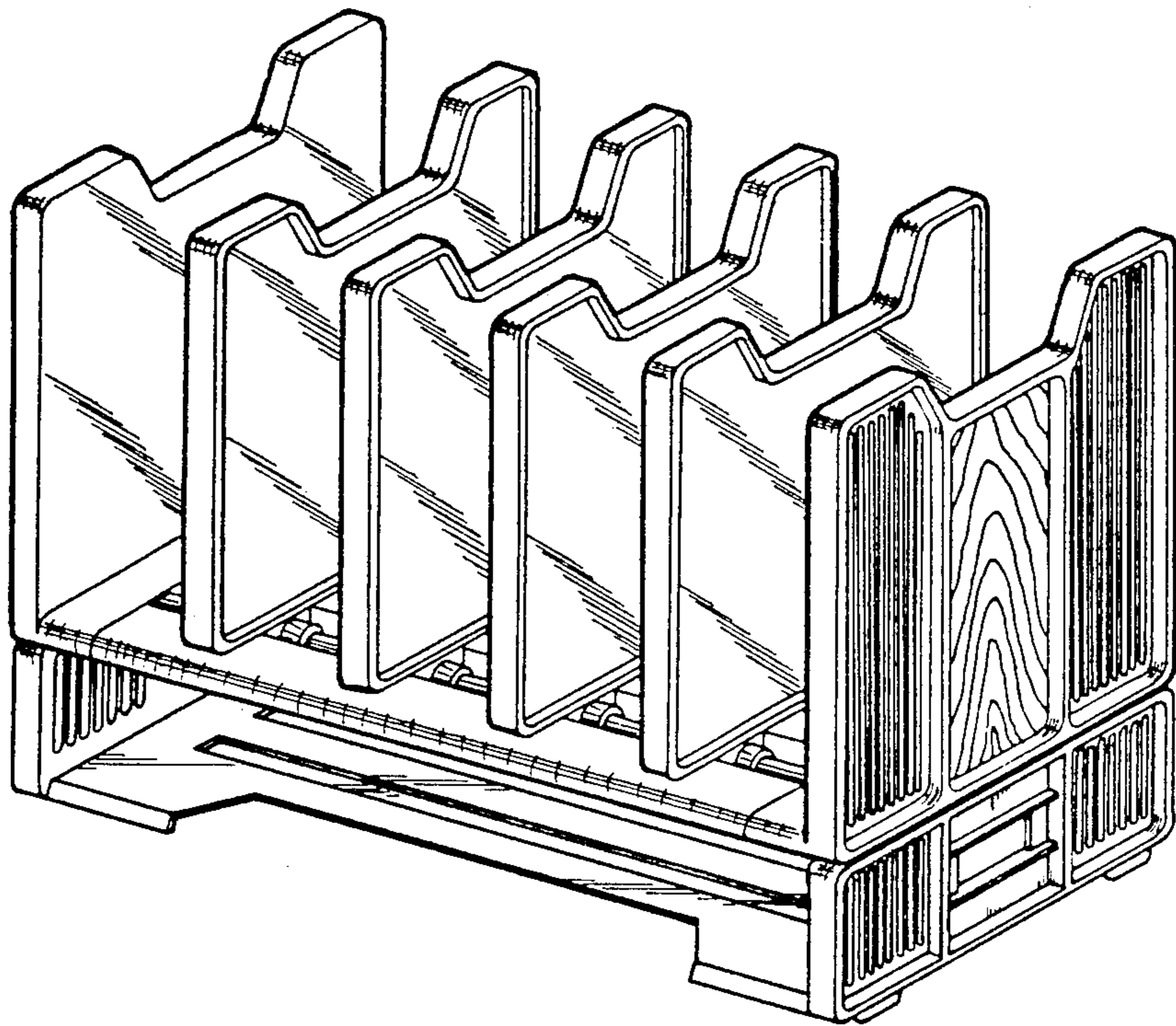


FIG. 1

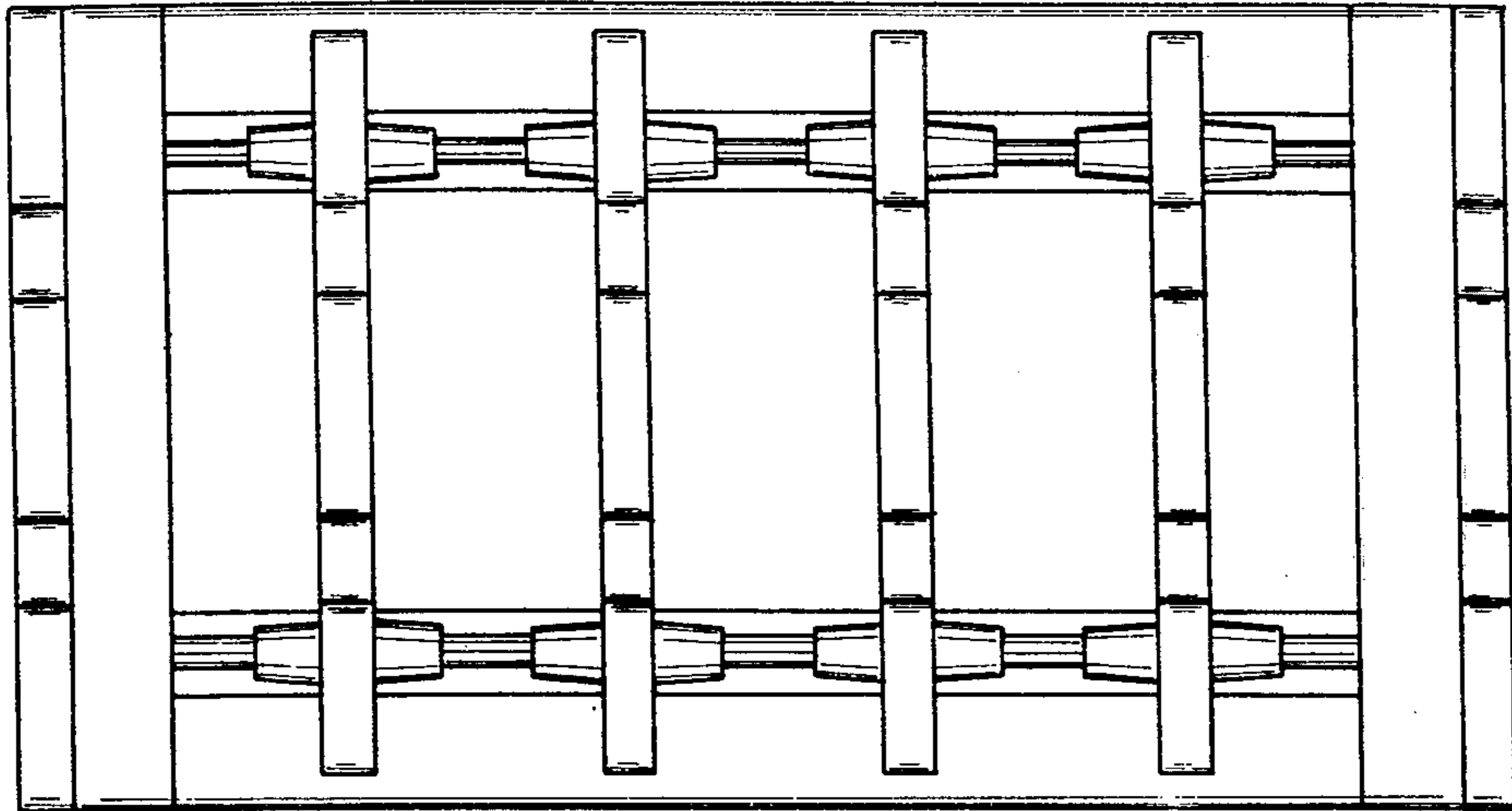


FIG. 2

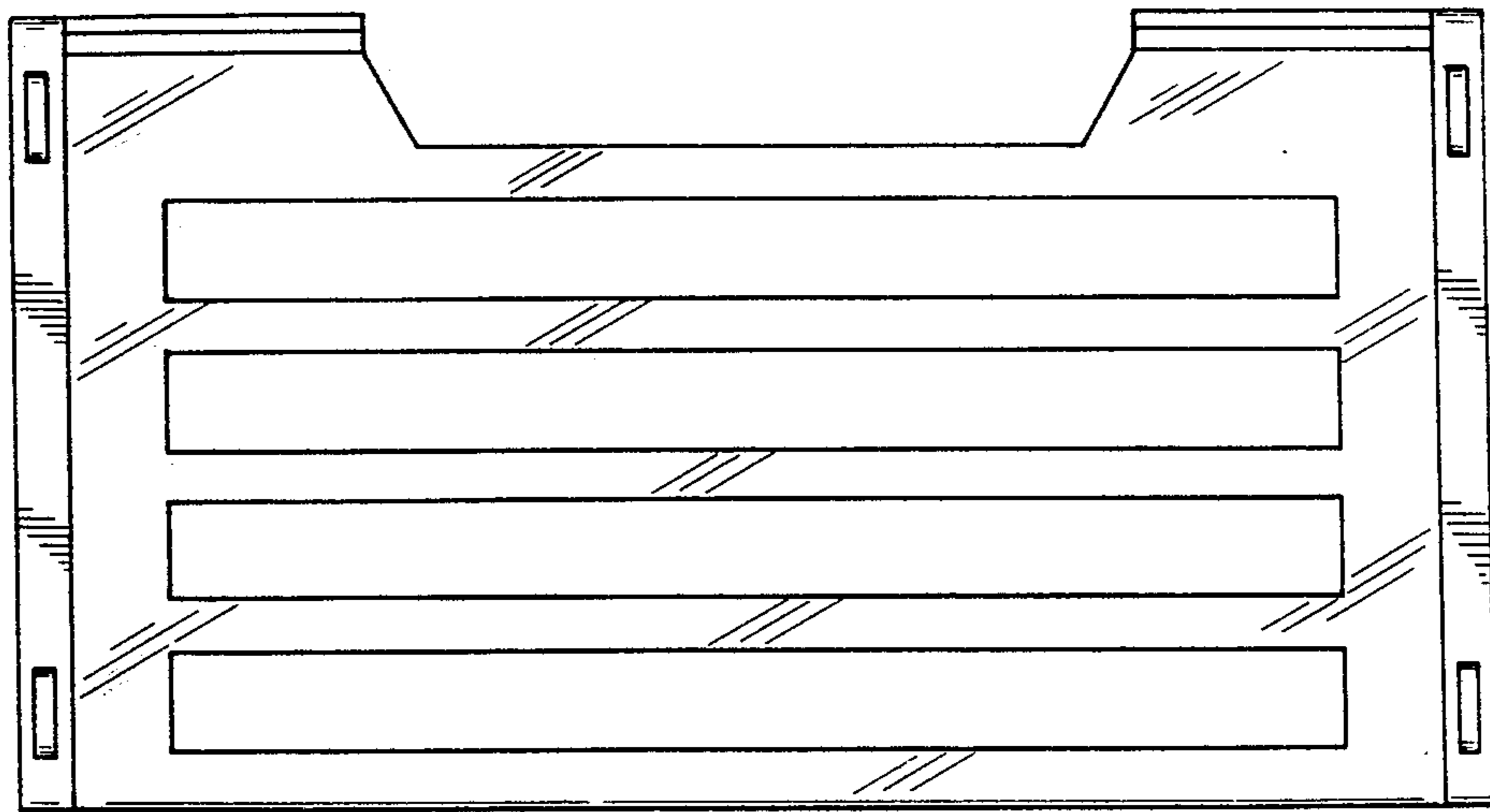


FIG. 3

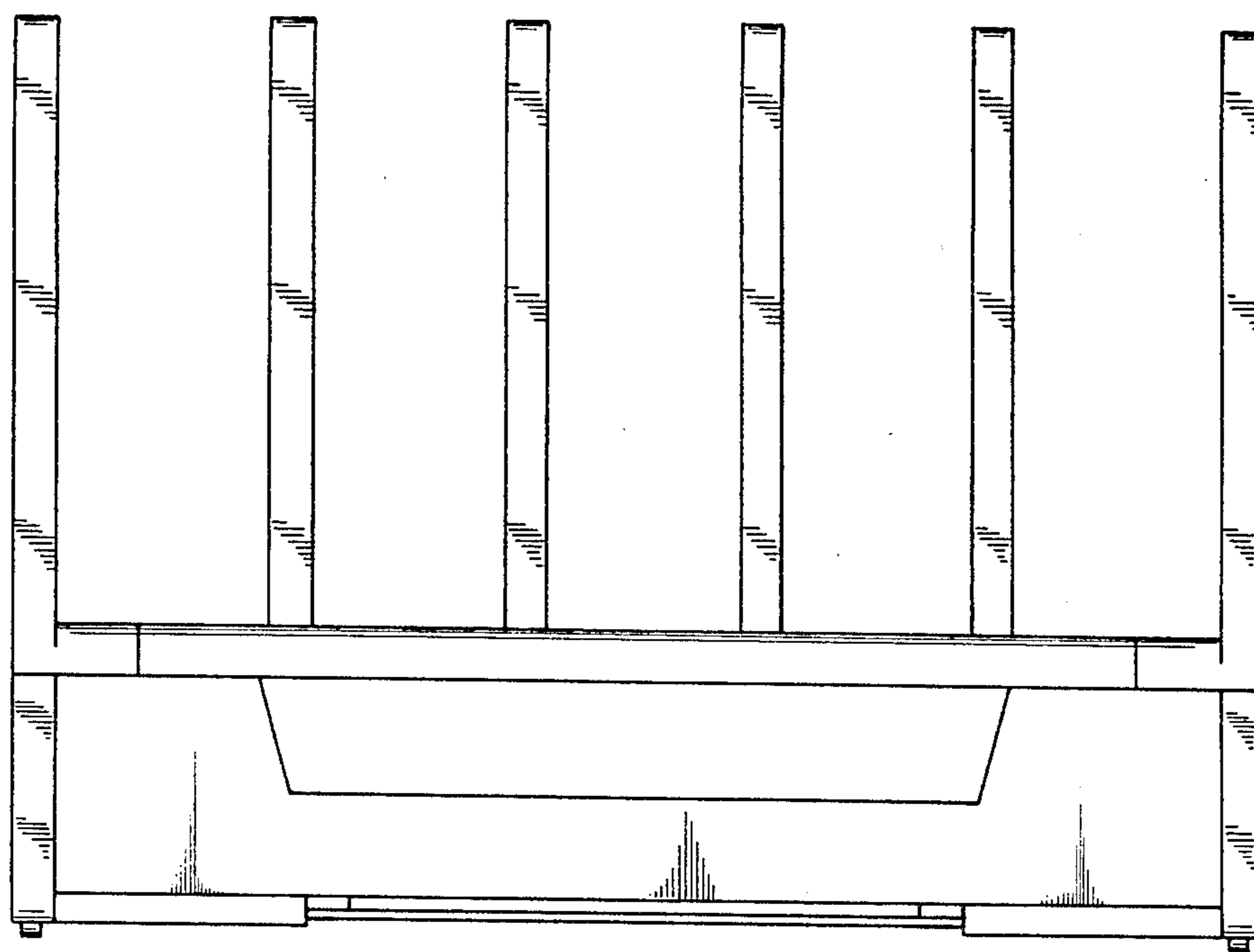


FIG.4

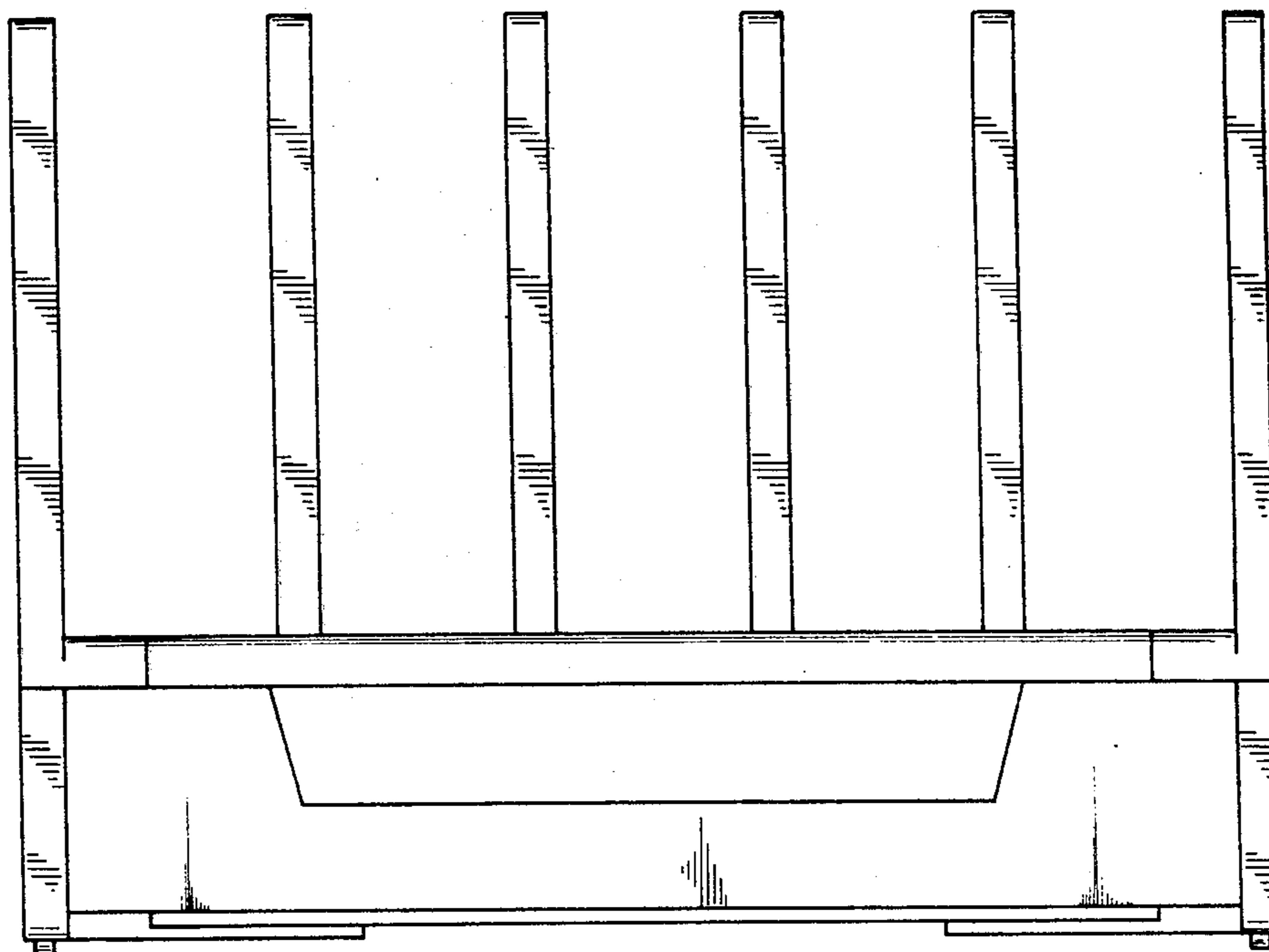


FIG 5

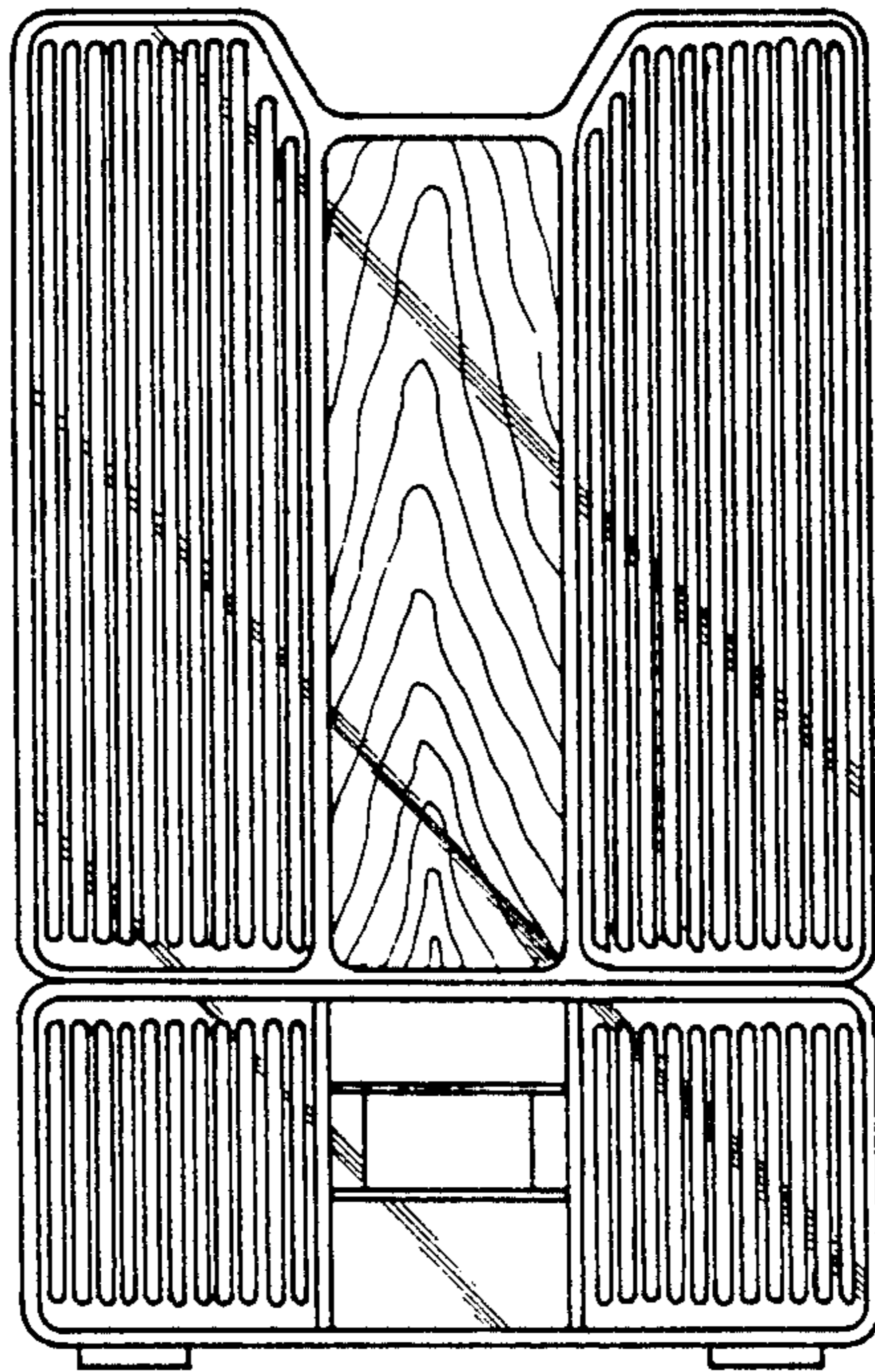


FIG. 6

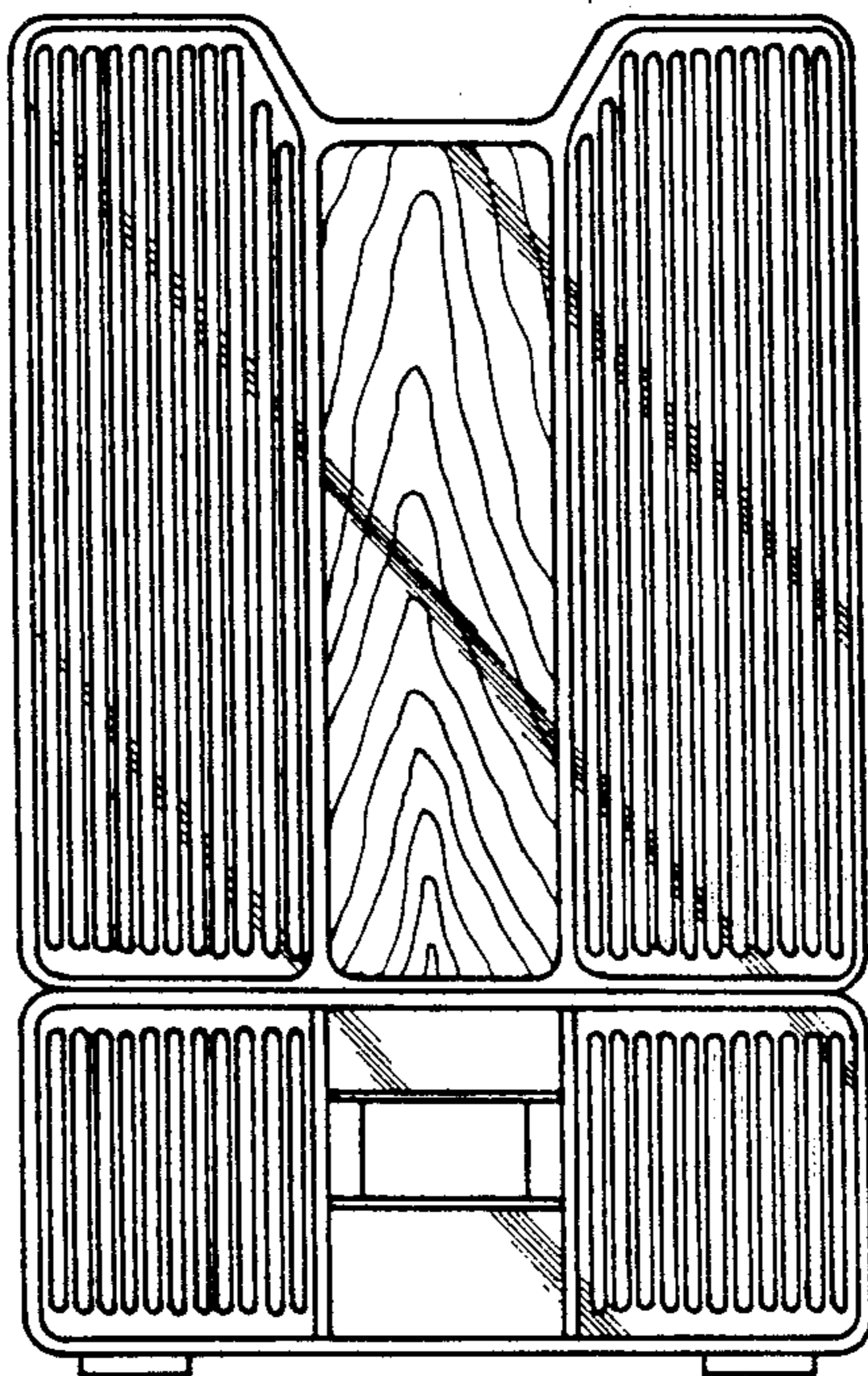


FIG. 7

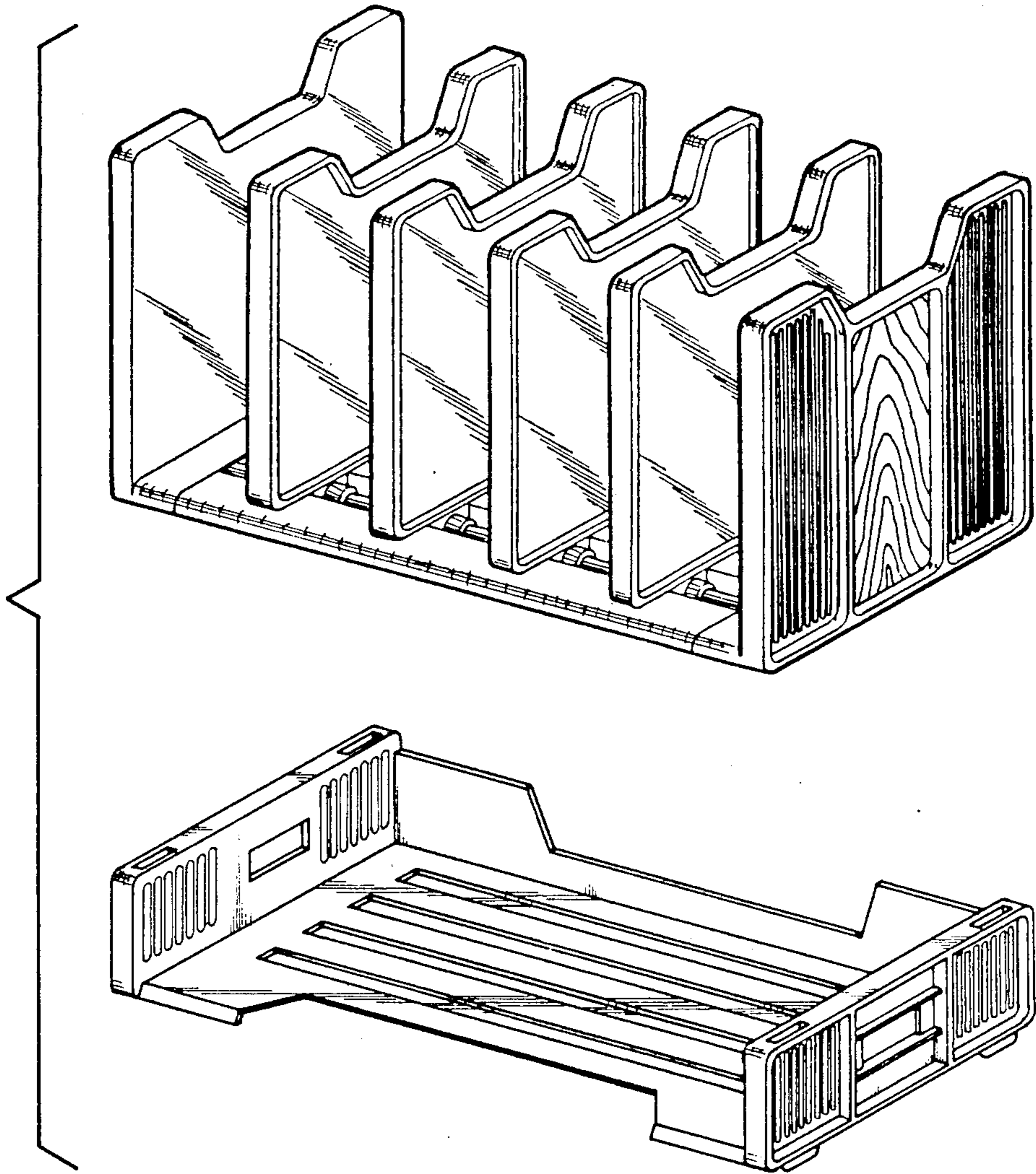


FIG. 8