

[54] TURRET MILLING MACHINE

[75] Inventor: J. H. Chen, Taichung, Taiwan

[73] Assignee: Yeong Chin Machinery Industries Co., Ltd., Taichung, Taiwan

[**] Term: 14 Years

[21] Appl. No.: 471,154

[22] Filed: Mar. 1, 1983

[52] U.S. Cl. D15/131

[58] Field of Search D15/131; 409/206, 219, 409/221

[56] References Cited

U.S. PATENT DOCUMENTS

D.201,389	6/1965	Gunderson	D15/131
D.243,972	4/1977	Kacyna	D15/131
D.255,243	6/1980	Roch	D15/131
2,288,648	7/1942	Richards	D15/131

OTHER PUBLICATIONS

Sweet's Manufacturing File 1969; Sec. Cut/Mit, p. 5; Milling Machine MH-3P (center of page).

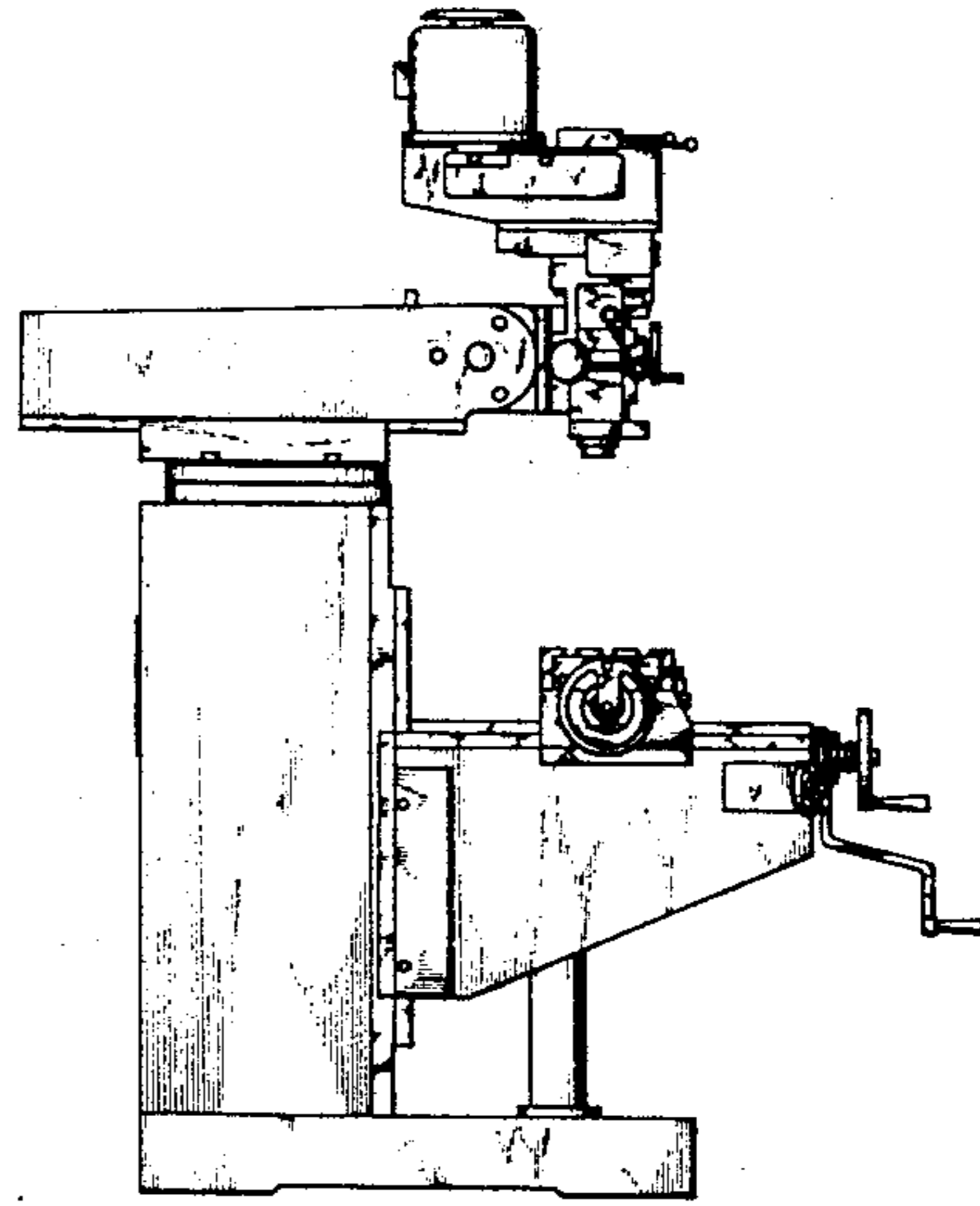
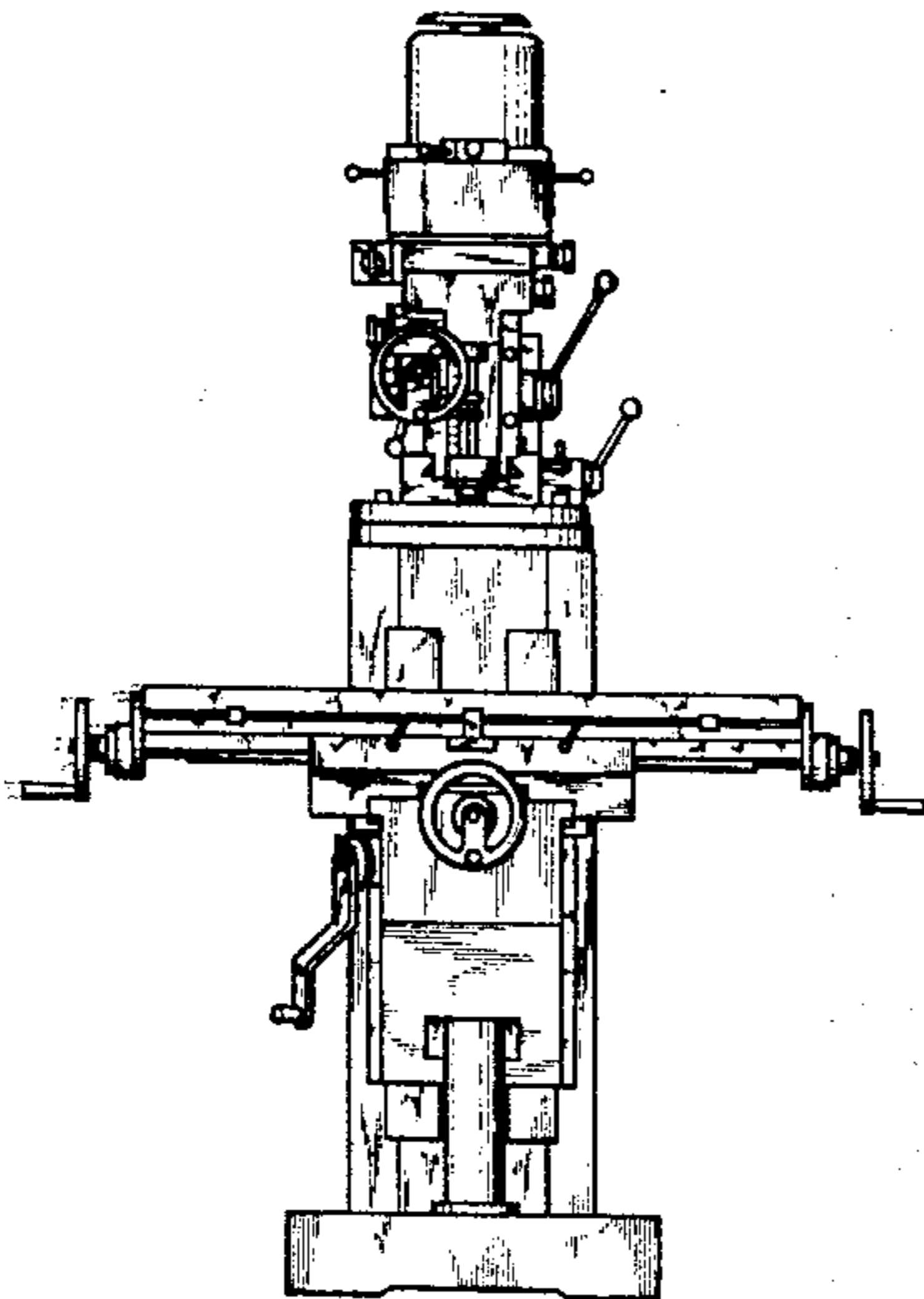
Primary Examiner—B. J. Bullock
Attorney, Agent, or Firm—Cushman, Darby and Cushman

[57] CLAIM

The ornamental design for turret milling machine, substantially as shown and described.

DESCRIPTION

FIG. 1 is a front view of a turret milling machine showing my new design;
FIG. 2 is a rear view thereof;
FIG. 3 is a side view taken from the left of FIG. 1;
FIG. 4 is a side view taken from the right of FIG. 1;
FIG. 5 is a top view thereof;
FIG. 6 is a bottom view thereof.



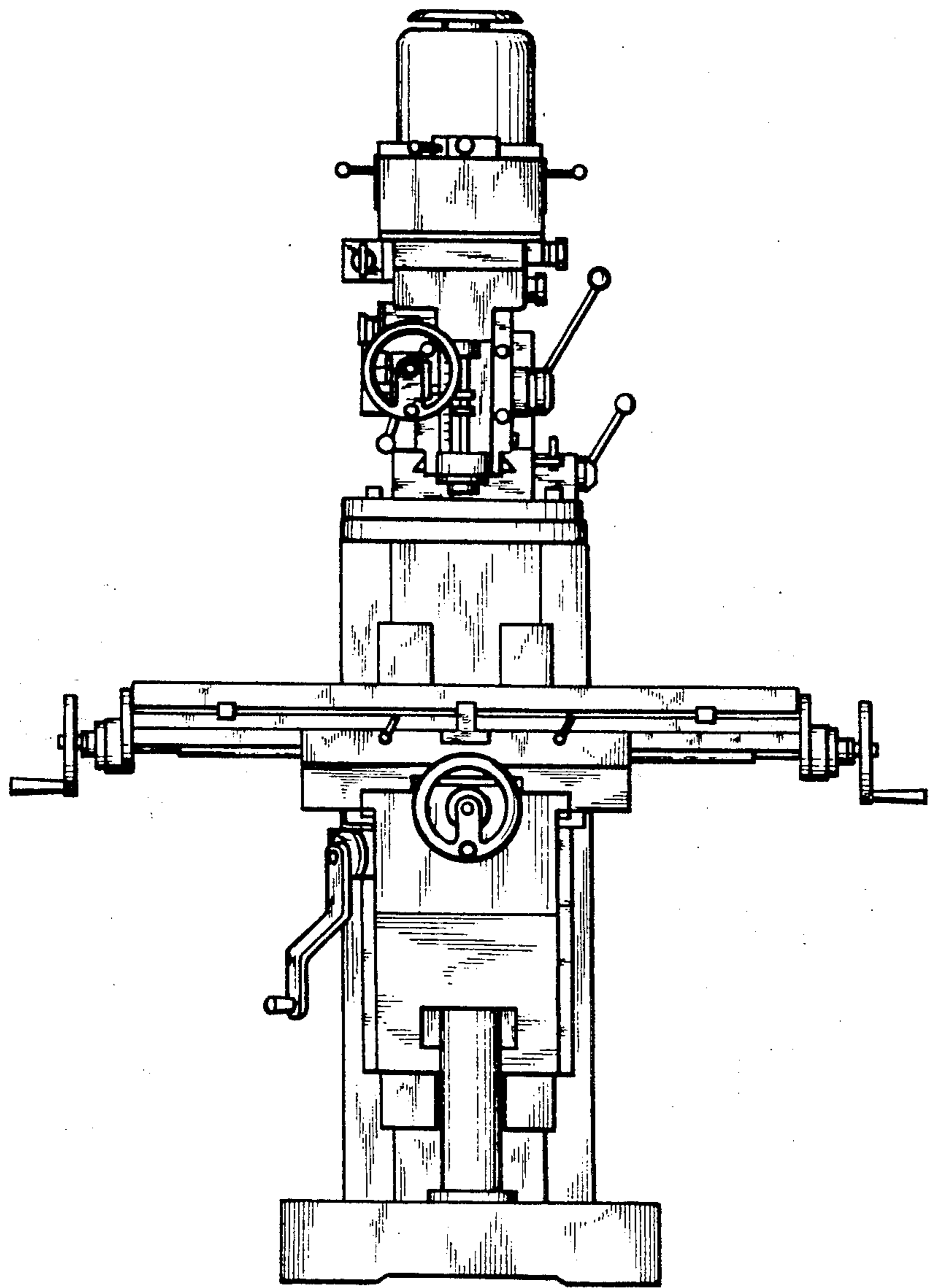


Fig. 1

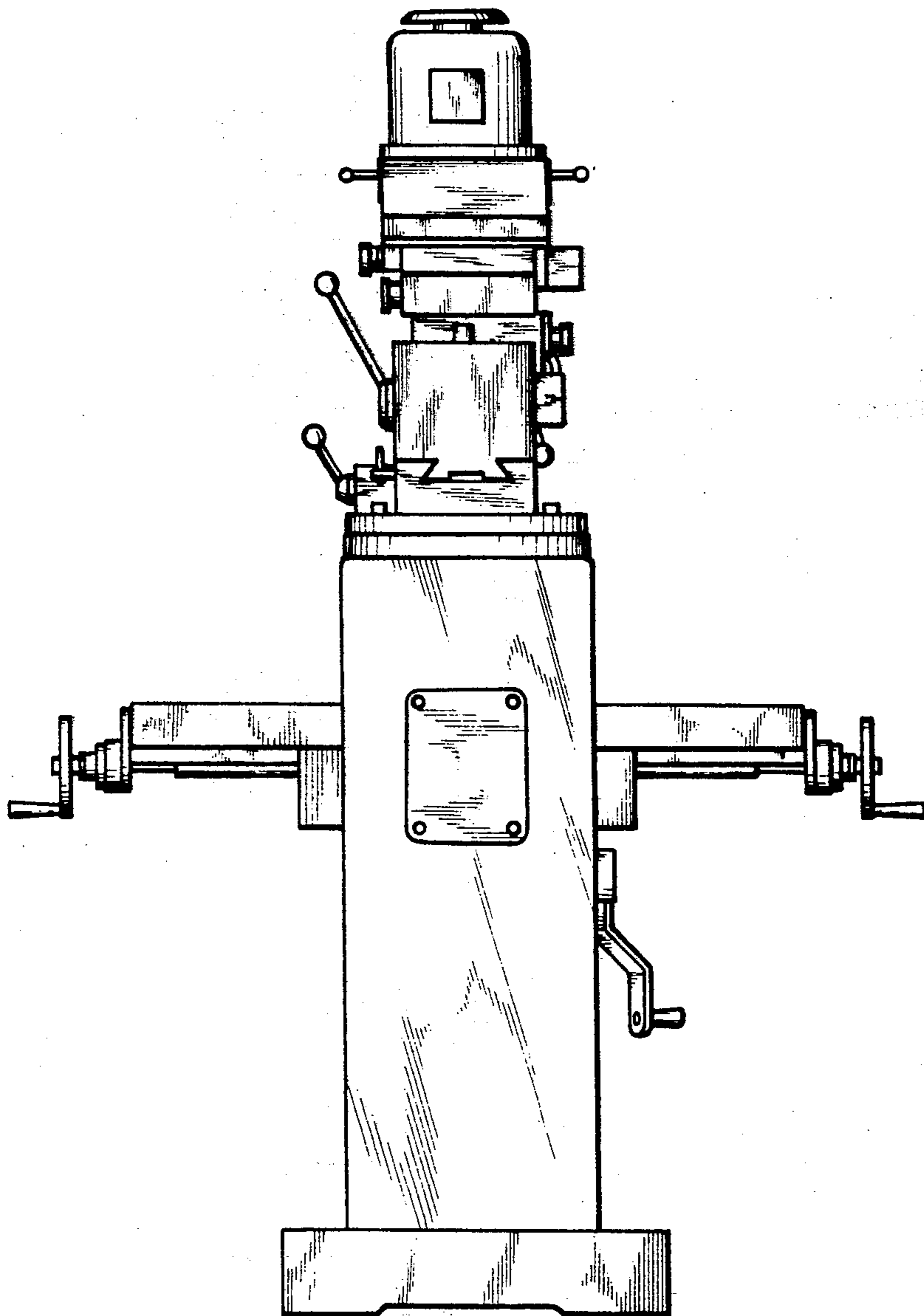


Fig. 2

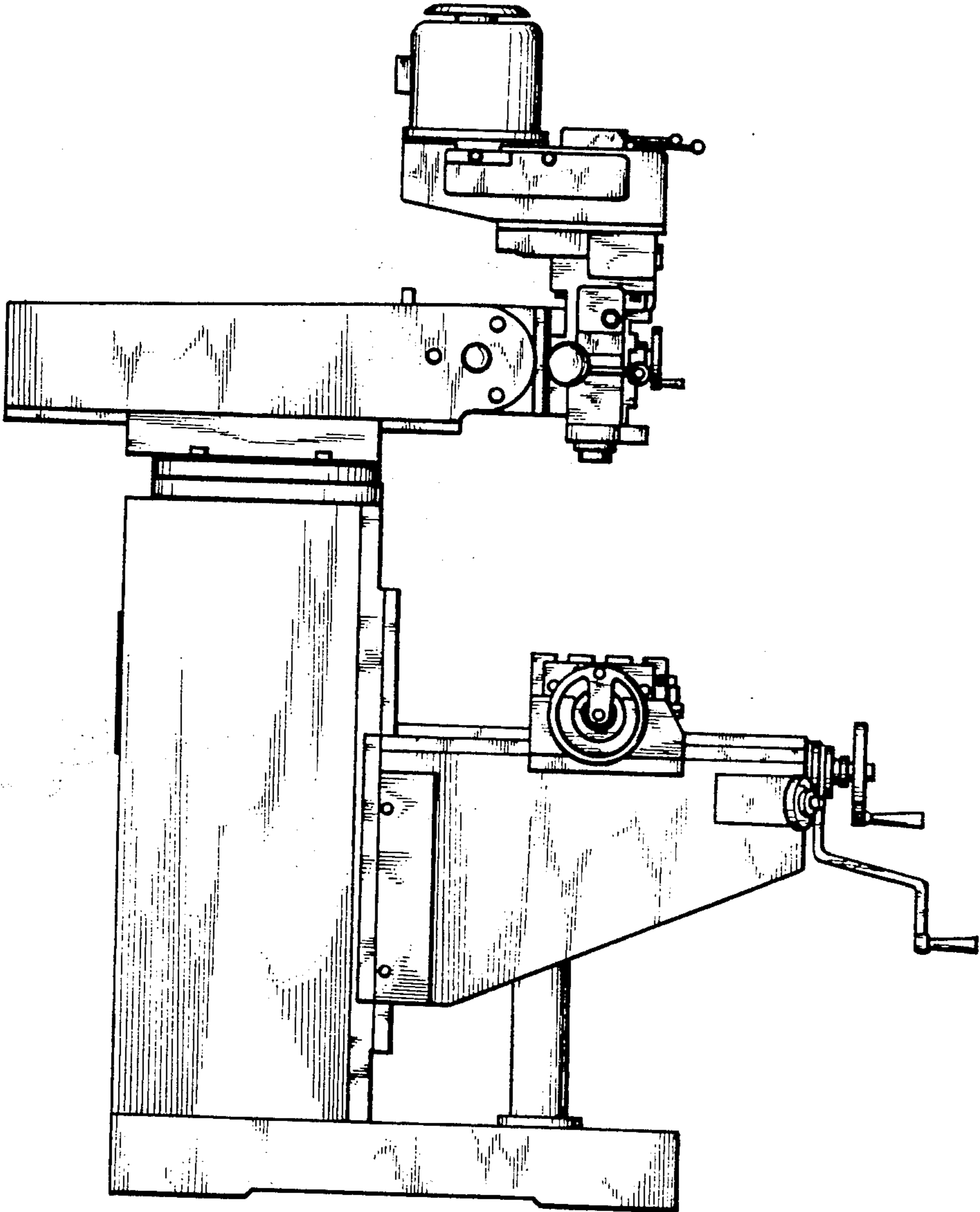


Fig. 3

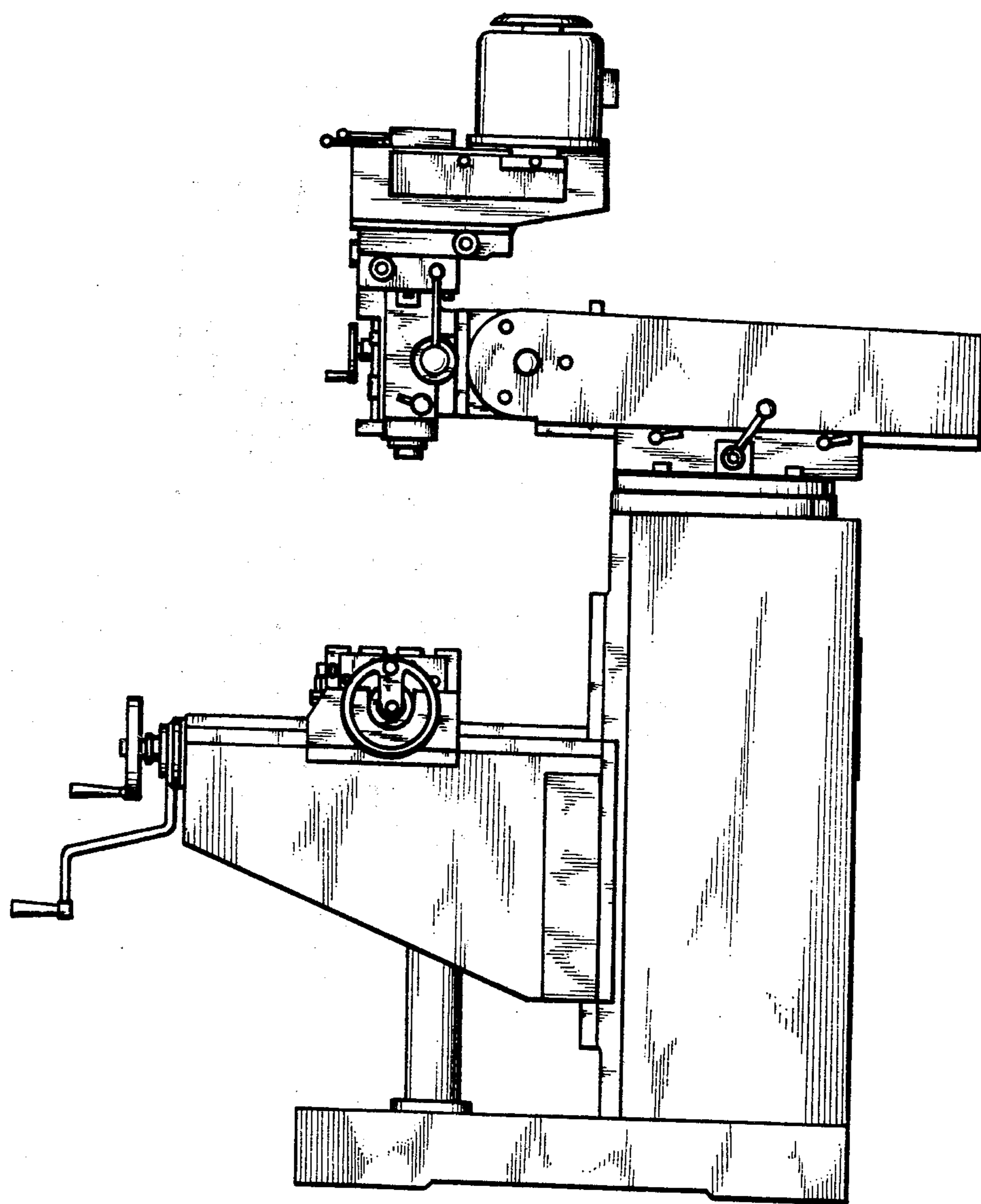


Fig. 4

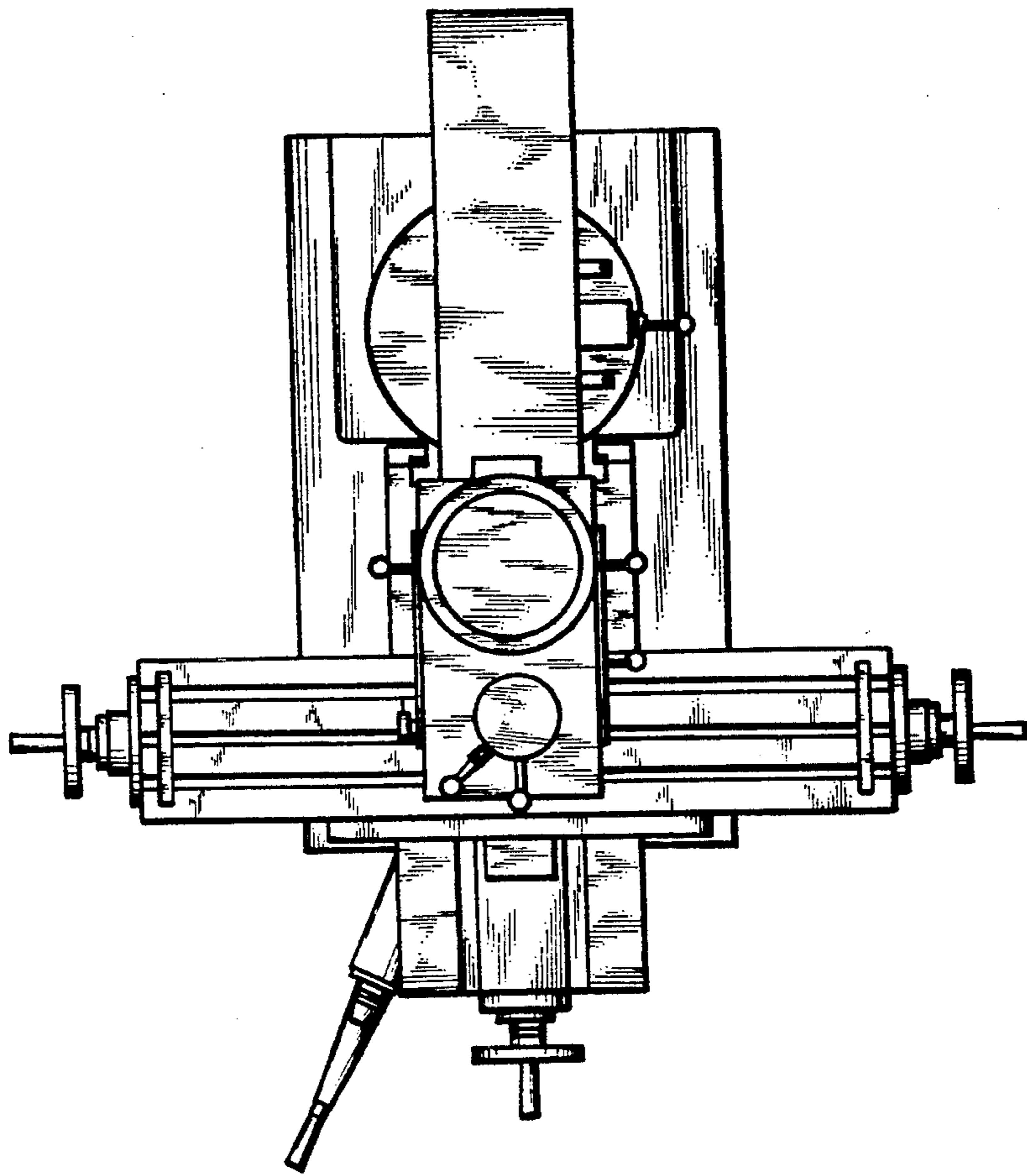


Fig. 5

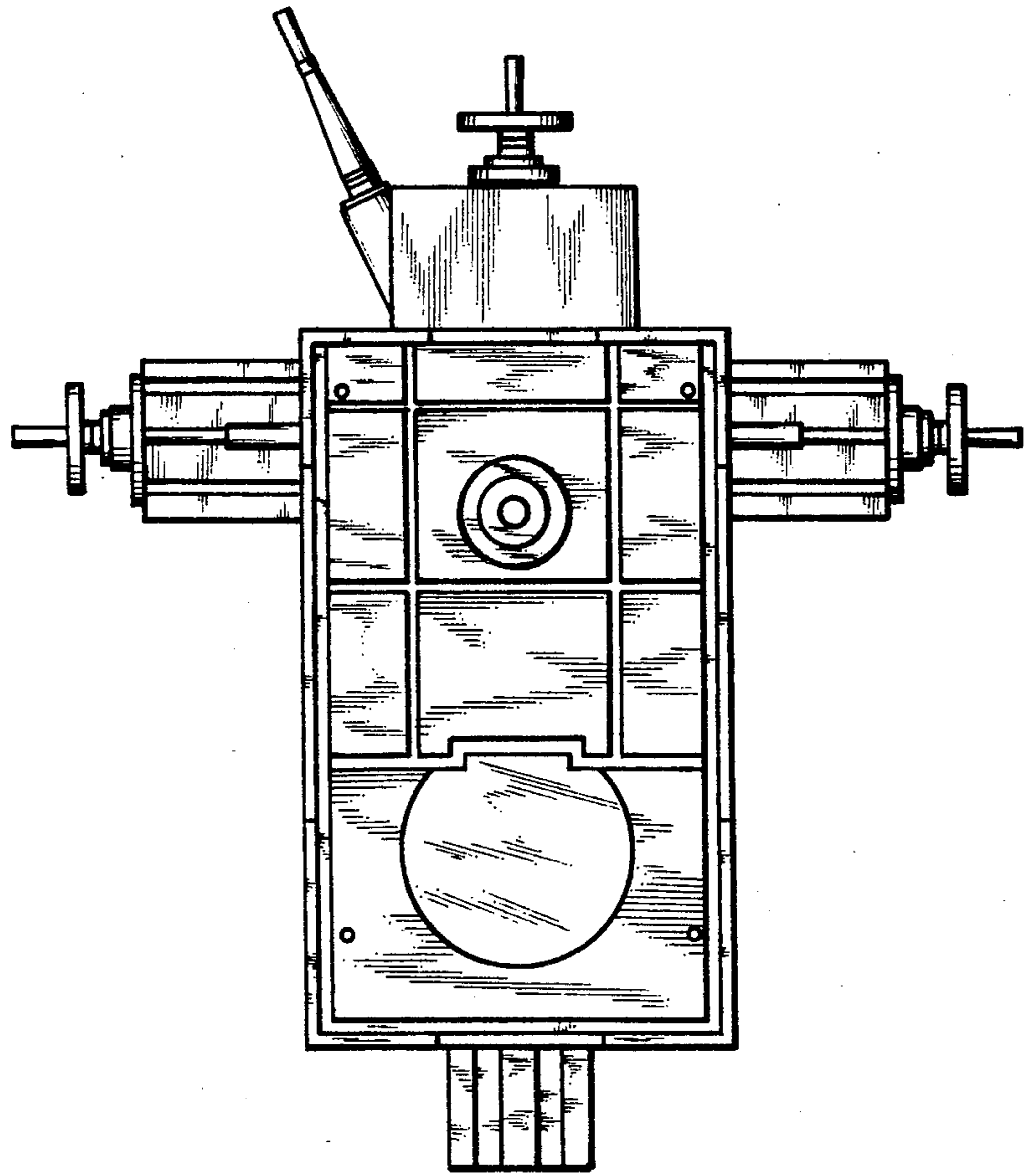


Fig. 6