

[54] RAISABLE PLOW HITCH ASSEMBLY

2,983,523 5/1961 Kiengle 280/479 X
3,486,769 12/1969 Munché et al. 280/479 X

[75] Inventors: Fred Boschen; Henry Boschen, both of Edmond, Okla.

Primary Examiner—B. J. Bullock
Assistant Examiner—Suzanne N. Gitlin
Attorney, Agent, or Firm—Christopher H. Morgan

[73] Assignee: Carrier King, Inc., Edmond, Okla.

[**] Term: 14 Years

[57] CLAIM

[21] Appl. No.: 437,682

The ornamental design for a raisable plow hitch assembly, substantially as shown and described.

[22] Filed: Oct. 29, 1982

[52] U.S. Cl. D15/28

[58] Field of Search D15/10, 27, 28;
280/446 A, 556 A, 460 A, 461 A, 479 A, 477,
490 A, 508

DESCRIPTION

FIG. 1 is a top plan view of a raisable plow hitch assembly showing our new design;

FIG. 2 is a bottom plan view thereof;

FIG. 3 is a sectional view taken in the direction of the arrows along line 3—3 in FIG. 1;

FIG. 4 is a side elevational view thereof;

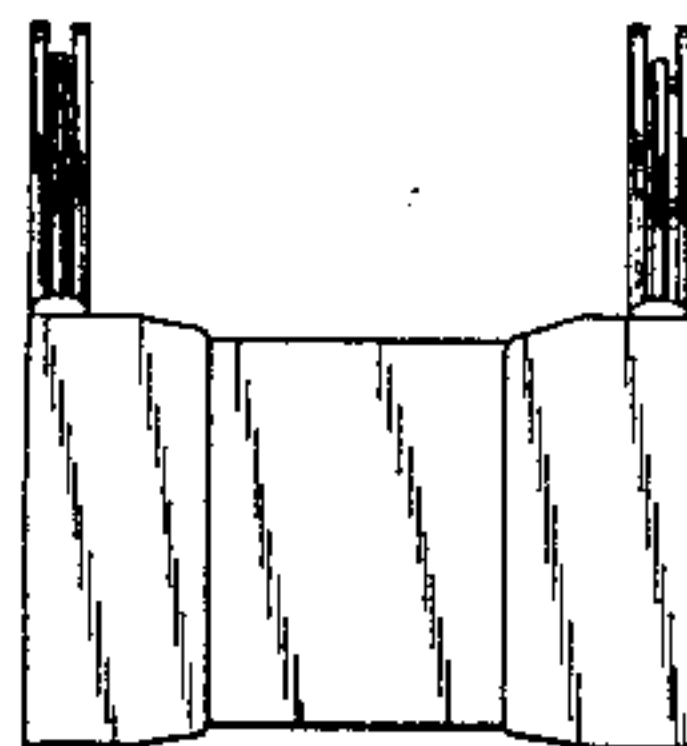
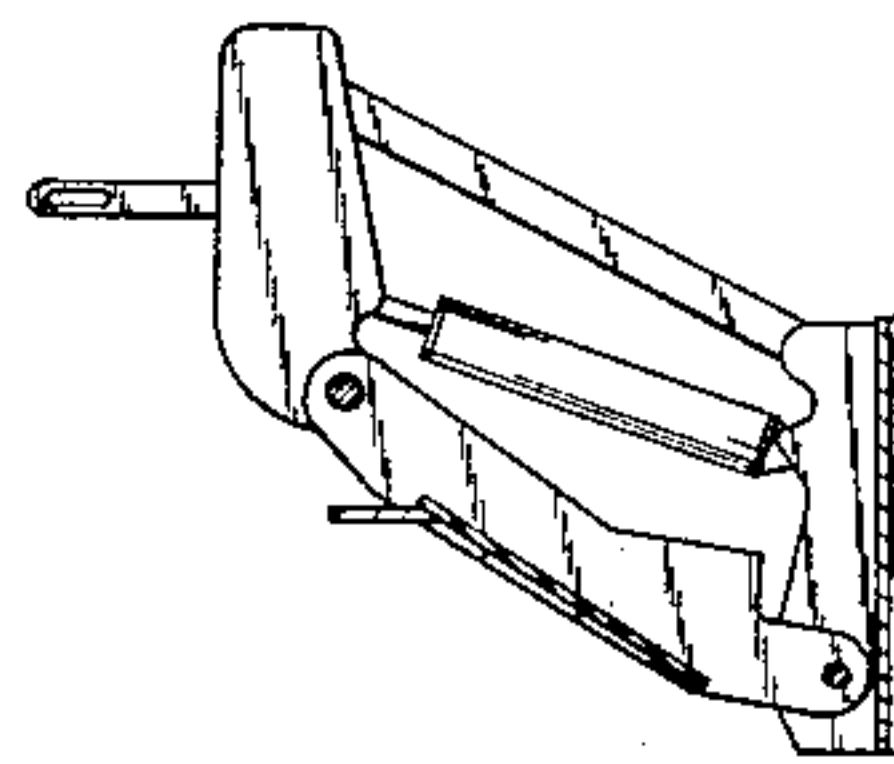
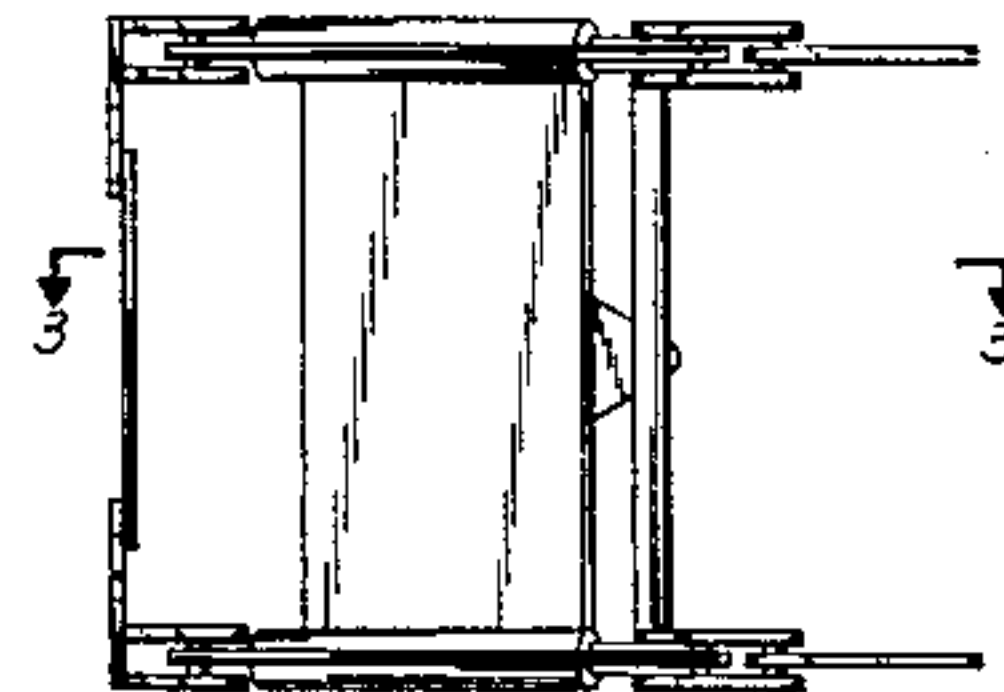
FIG. 5 is a rear elevational view thereof;

FIG. 6 is a front elevational view thereof.

[56] References Cited

U.S. PATENT DOCUMENTS

- D. 245,606 8/1977 Williams D15/28
- D. 269,515 6/1983 Yoder D15/32



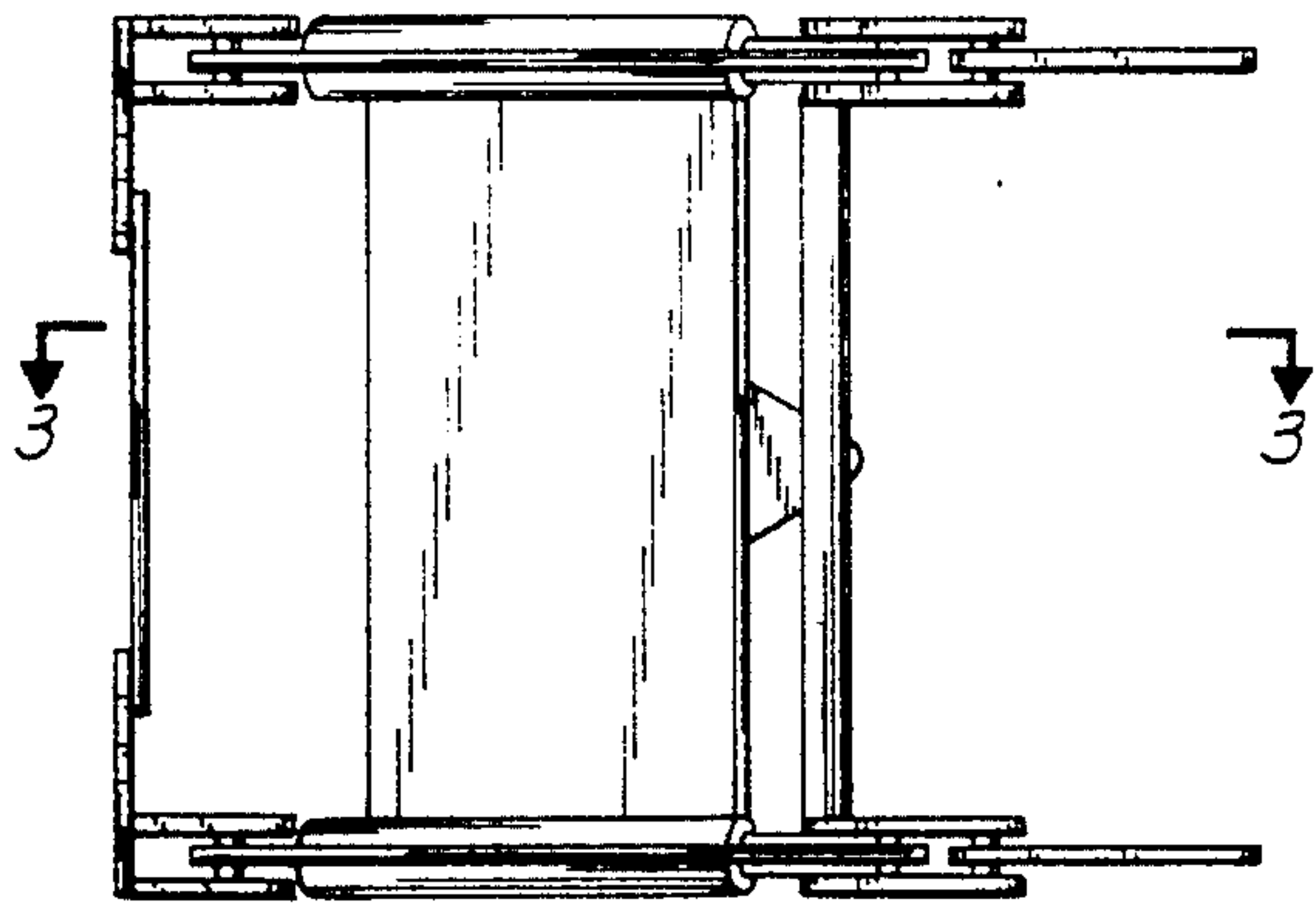


FIG. 1

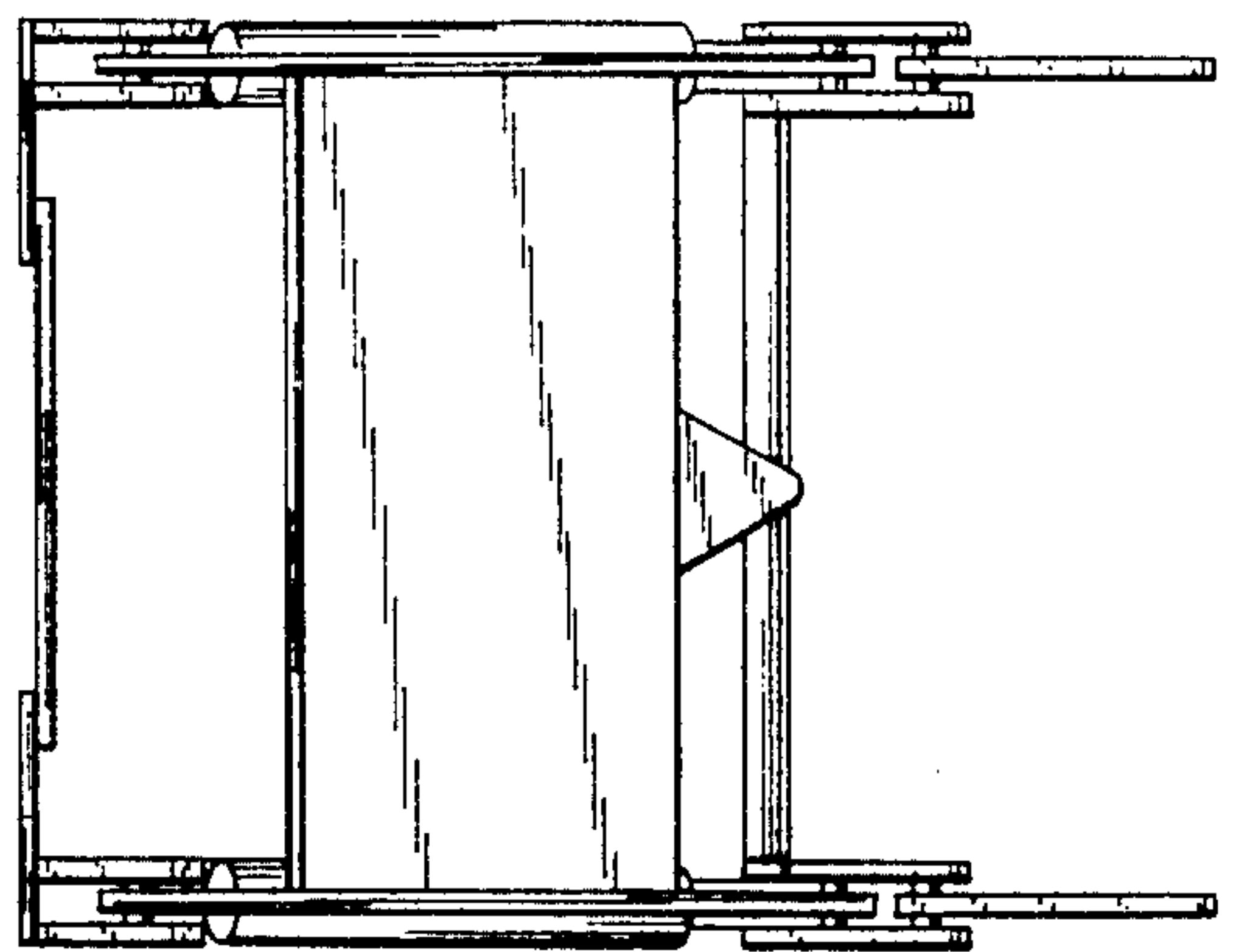


FIG. 2

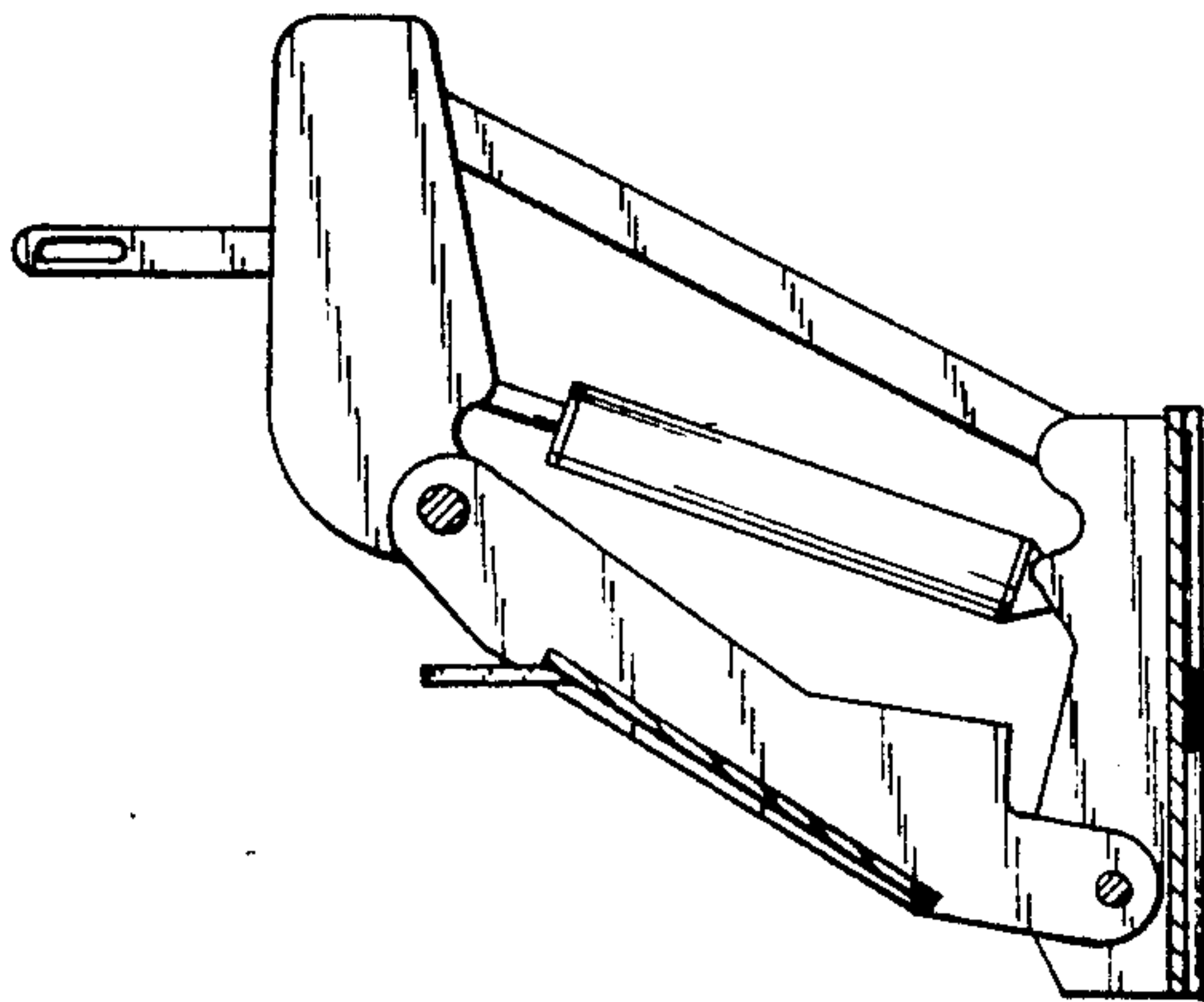


FIG. 3

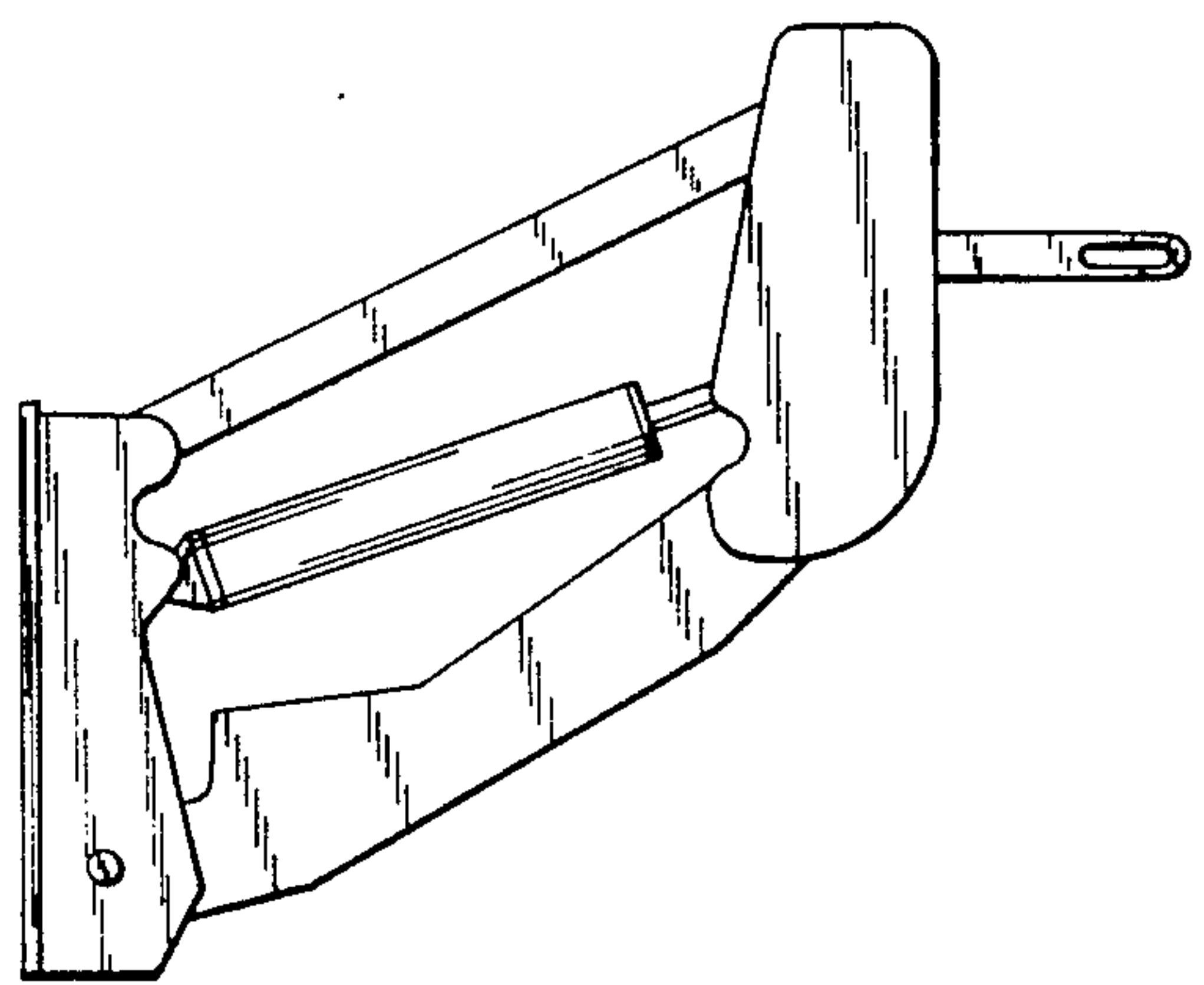


FIG. 4

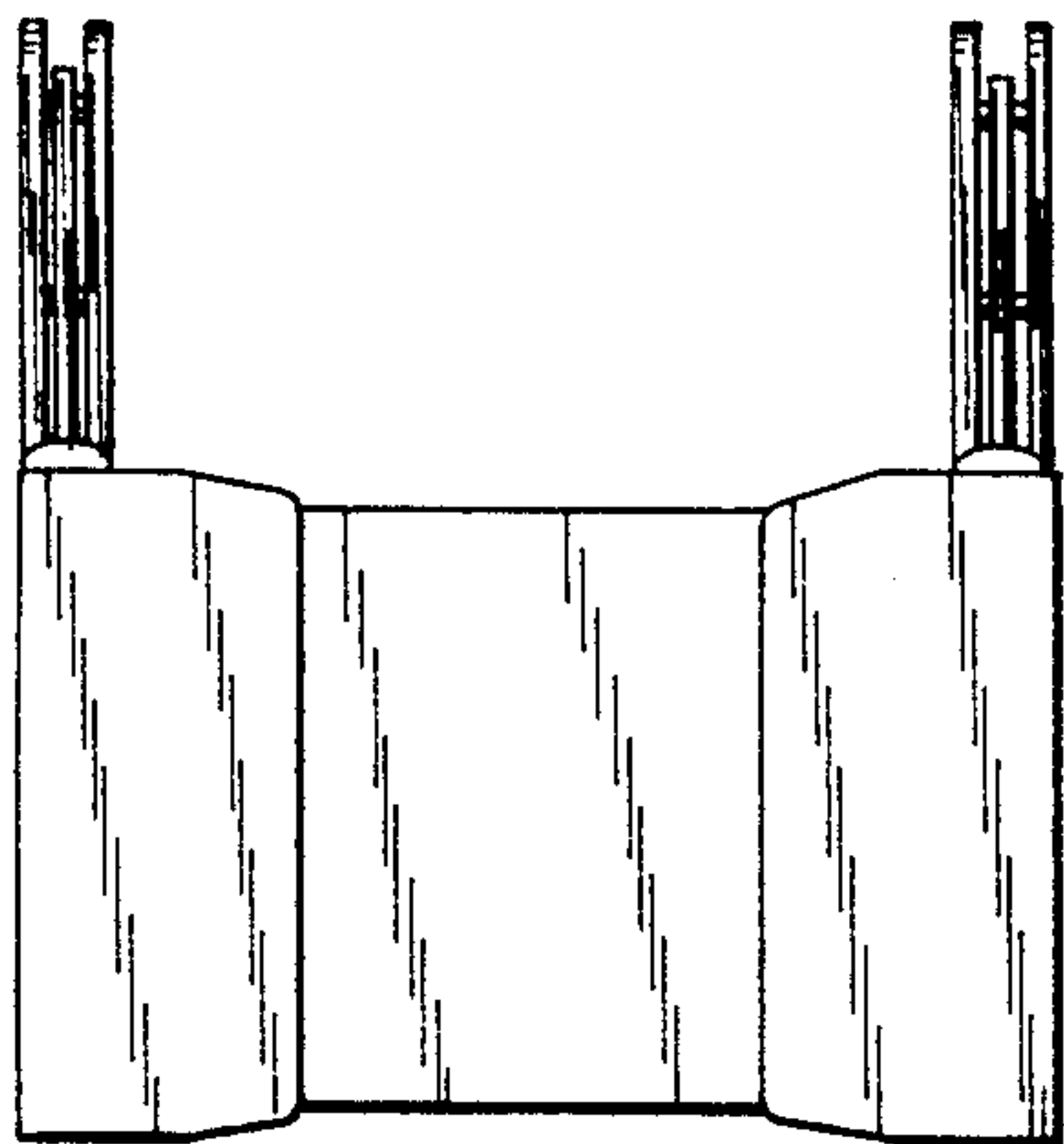


FIG. 5

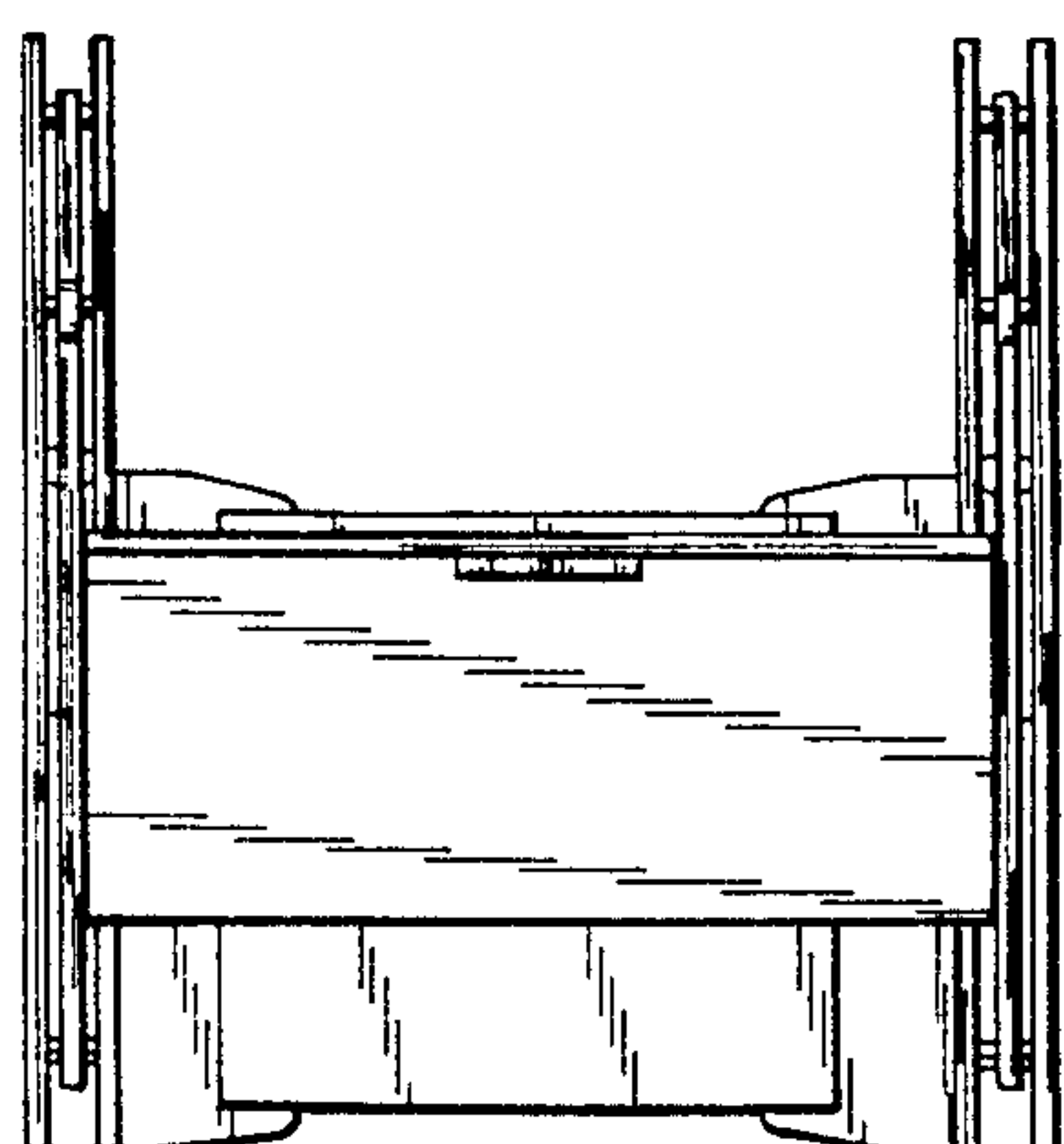


FIG. 6