

[54] IMAGE SCANNER

[75] Inventor: Yoshiyuki Manabe, Yamato, Japan

[73] Assignee: IBM International Business Machines Corporation, Armonk, N.Y.

[\*\*] Term: 14 Years

[21] Appl. No.: 594,041

[22] Filed: Mar. 27, 1984

[30] Foreign Application Priority Data

Sep. 28, 1983 [JP] Japan ..... 58-41860  
 [52] U.S. Cl. .... D14/107  
 [58] Field of Search ..... D14/107, 114; 235/454,  
 235/470; 250/566

[56] References Cited

U.S. PATENT DOCUMENTS

D. 277,006 1/1985 Takahashi et al. .... D14/107  
 3,549,895 12/1970 Sidorsky ..... 235/454 X  
 4,179,621 12/1979 Crean et al. .... 250/566

Primary Examiner—Susan J. Lucas  
 Attorney, Agent, or Firm—E. Ronald Coffman

[57] CLAIM

The ornamental design for an image scanner, substantially as shown and described.

DESCRIPTION

FIG. 1 is a top, front and left side perspective view of the image scanner showing my new design, the top panel being in an open position;  
 FIG. 2 is a front elevational view thereof, the top panel being in the closed position;  
 FIG. 3 is a rear elevational view thereof;  
 FIG. 4 is a top plan view thereof;  
 FIG. 5 is a bottom view thereof;  
 FIG. 6 is a left side elevational view thereof, the right side being a mirror image.

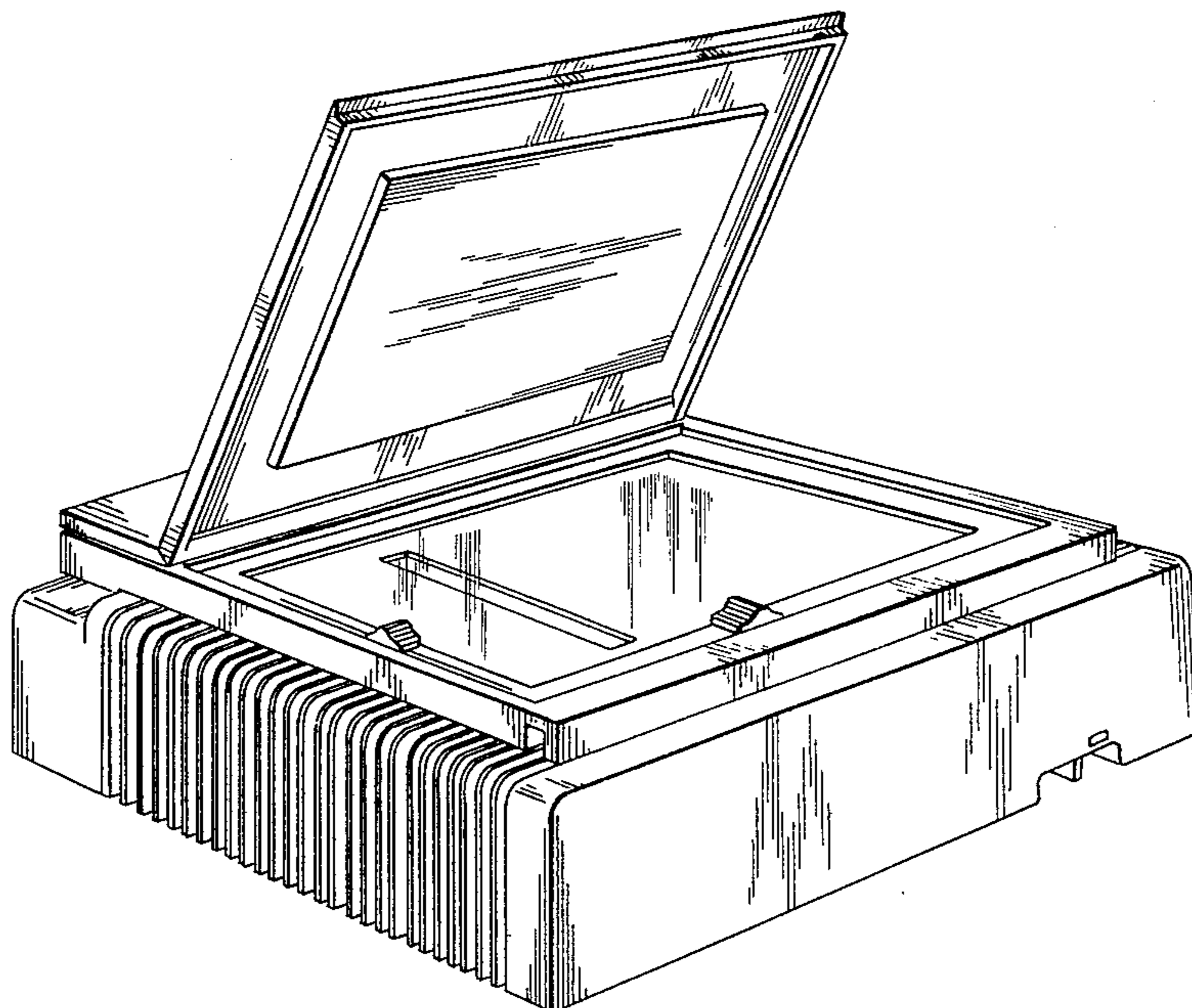


FIG. 4

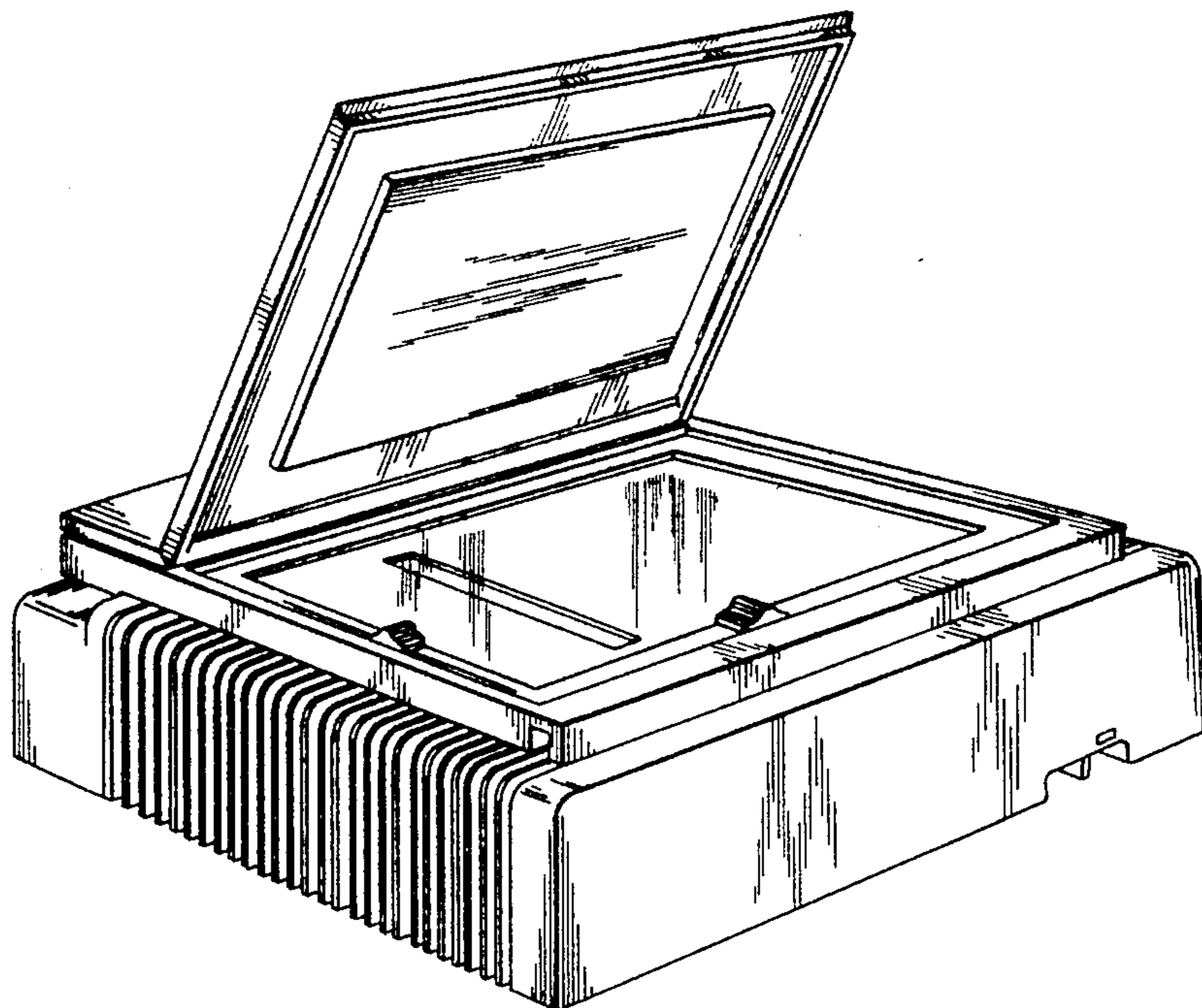


FIG. 2

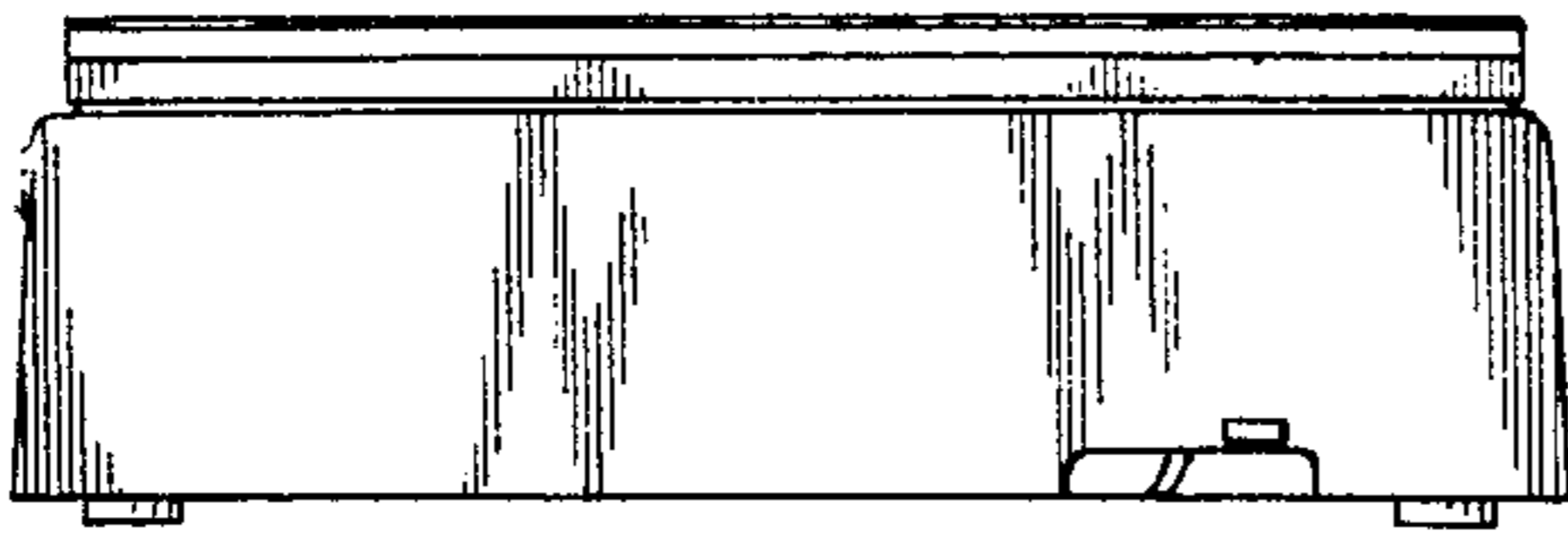


FIG. 3

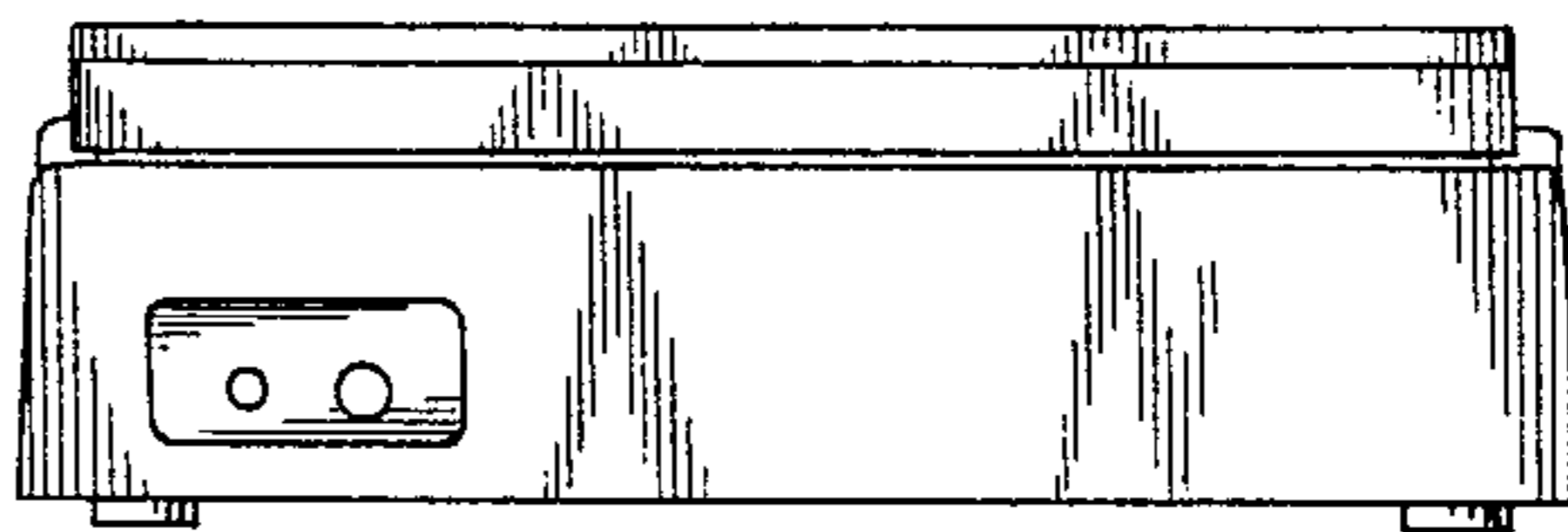


FIG. 4

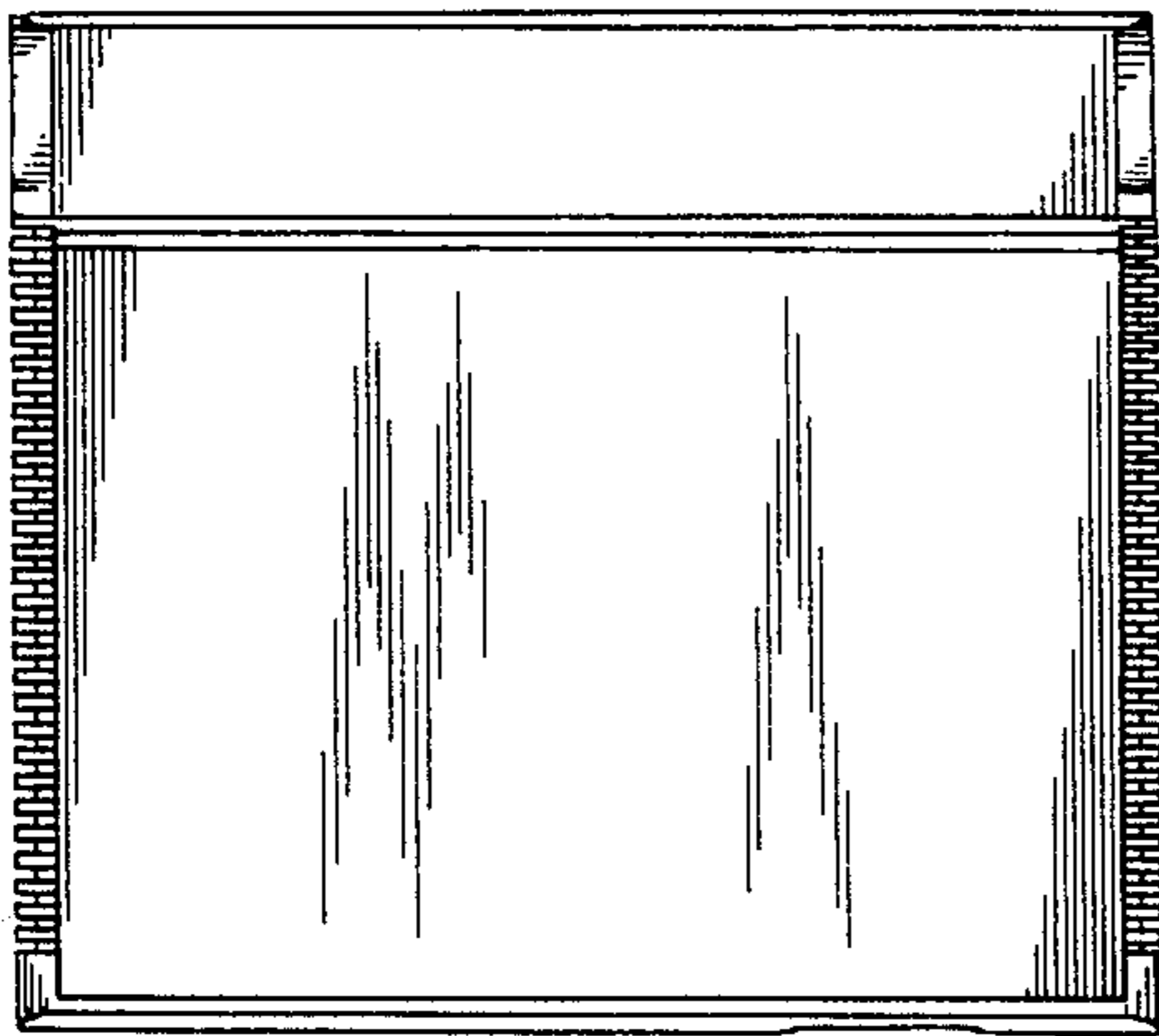


FIG. 5

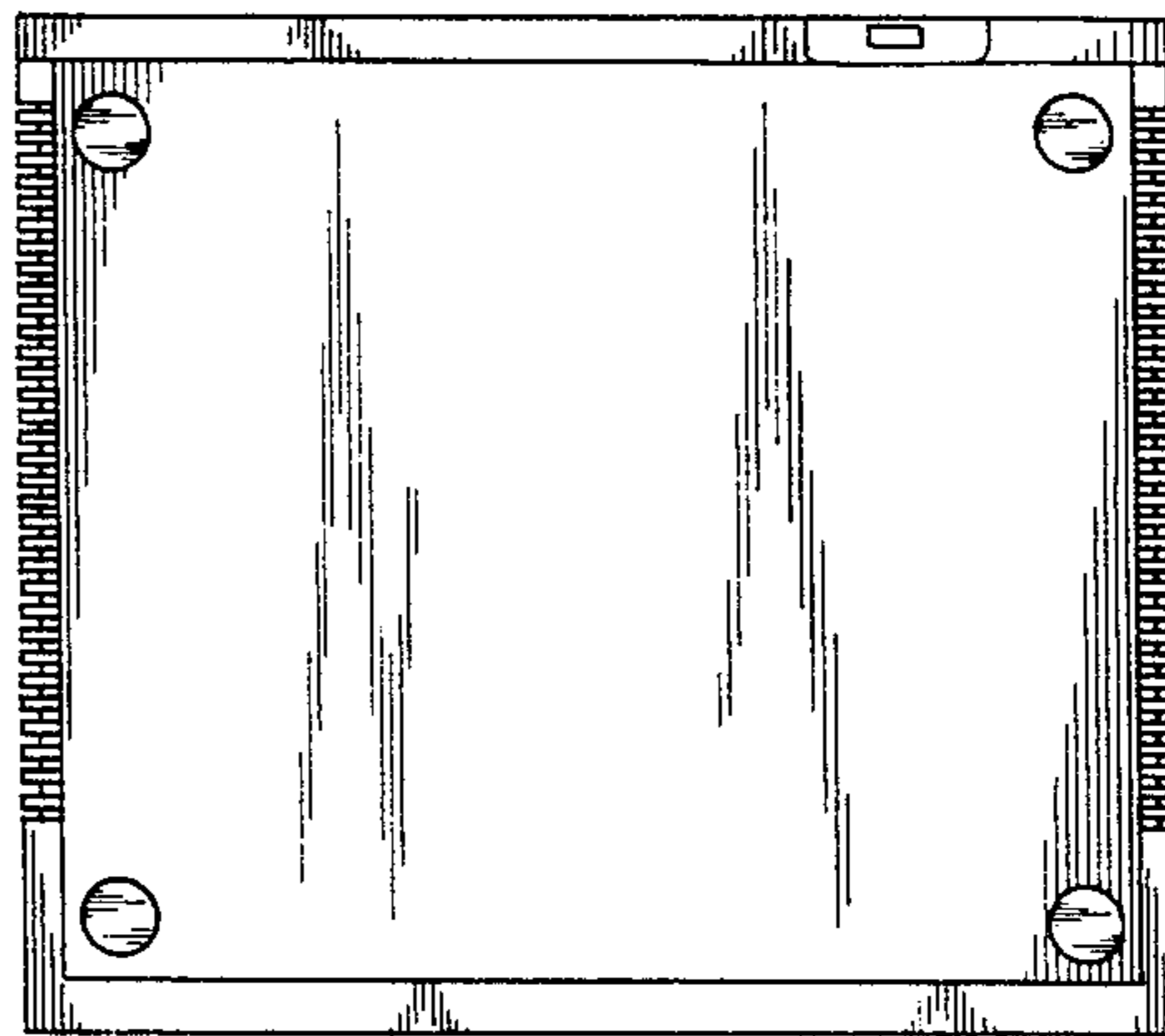


FIG. 6

