

[54] TELEPHONE HANDSET

[75] Inventors: Christian J. Felix, Flushing, N.Y.; Donald M. Genaro, Haworth, N.J.; Gordon E. Sylvester, Jamaica, N.Y.

[73] Assignee: AT&T Technologies, Inc., Berkeley Heights, N.J.

[**] Term: 14 Years

[21] Appl. No.: 728,415

[22] Filed: Apr. 29, 1985

[52] U.S. Cl. D14/63; D14/64; D14/53; D14/58

[58] Field of Search D14/52, 53-63, D14/64-56, 58, 54; 179/179, 100 R, 100 C, 100 D, 101, 102, 103

[56] References Cited

U.S. PATENT DOCUMENTS

D.218,940	11/1970	Tyson	D26/14
D.234,850	4/1975	Tyson et al.	D14/64
D.246,043	11/1977	Taylor	D14/53
D.246,103	11/1977	Taylor	D14/53
D.260,518	9/1981	Larson	D14/53
D.260,991	9/1981	Bandini-Buti	D14/53
D.267,317	12/1982	Fukushima et al.	D14/53
D.271,491	11/1983	Taylor	D14/56
D.273,784	5/1984	Shibayama et al.	D14/56
D.275,006	8/1984	Danielson et al.	D14/63
D.275,484	9/1984	Brown, Jr. et al.	D14/64

D. 277,377	1/1985	Tarao et al.	D14/64
D. 278,626	4/1985	Takagi et al.	D14/64
D. 278,816	5/1985	McGarvey	D14/63
D. 279,005	5/1985	Genaro et al.	D14/64
4,153,822	5/1979	Ueda et al.	D14/63

OTHER PUBLICATIONS

Master Telecommunications Co.; Phone Brochure Model kT-840 EM, at page 8 & Handset Model Kt-842T/P at p. 10.
Oki Ad. Comm. Co. Brochure; Telephone at pp. 1, 3.
The Sharper Image: Webcor Future Phone at p. 35--
Model 4 AWE 721: Grained Inset Handset Back.

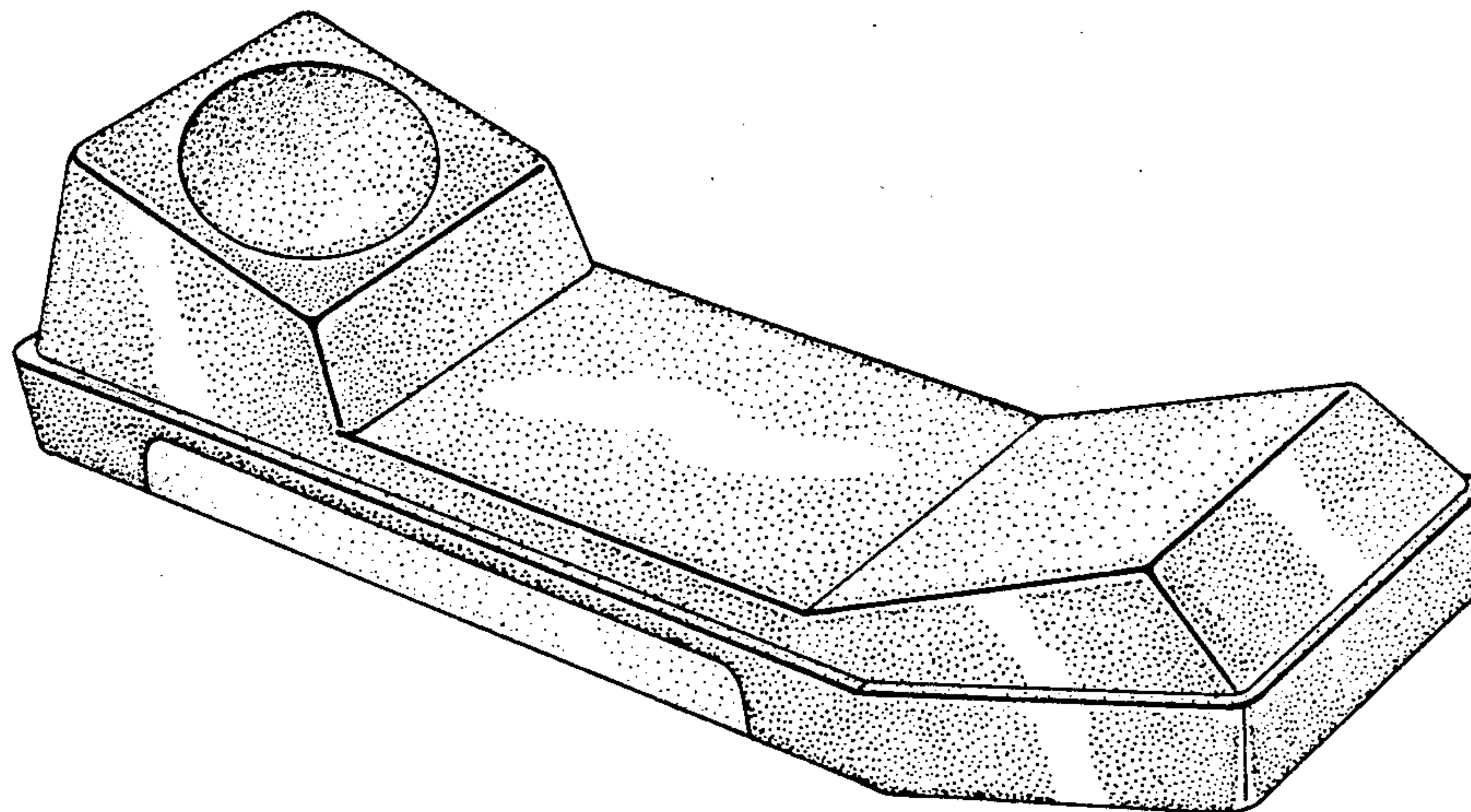
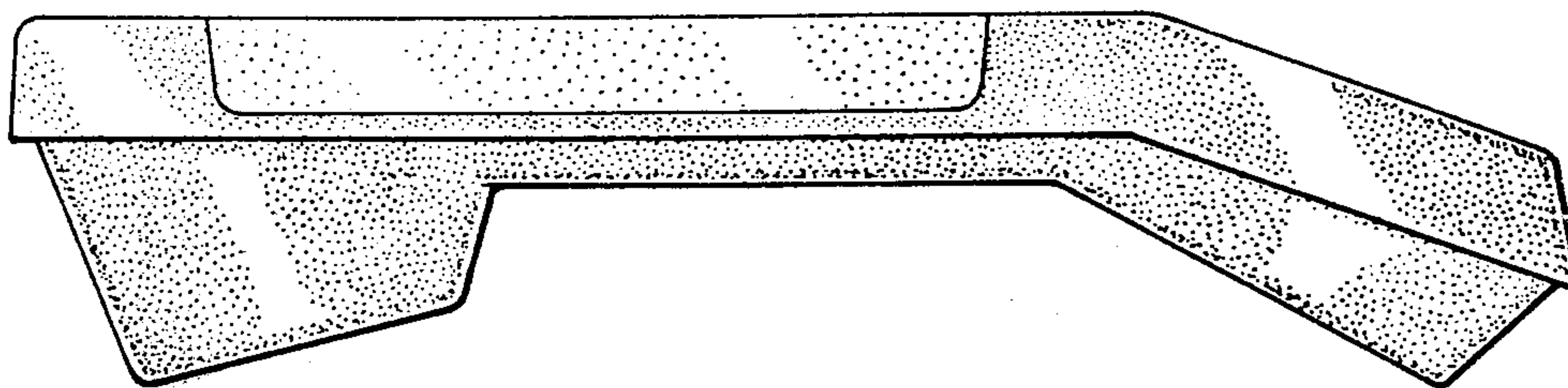
Primary Examiner—Wallace R. Burke
Assistant Examiner—Horace B. Fay
Attorney, Agent, or Firm—M. A. Morra

[57] CLAIM

The ornamental design for a telephone handset, substantially as shown and described.

DESCRIPTION

FIG. 1 is a left side, top and front perspective view of a telephone handset showing our new design;
FIG. 2 is a bottom plan view thereof;
FIG. 3 is a bottom plan view thereof;
FIG. 4 is a top plan view thereof;
FIG. 5 is a rear elevational view thereof;
FIG. 6 is a front elevational view thereof; and
FIG. 7 is a right side, bottom and front perspective view thereof.



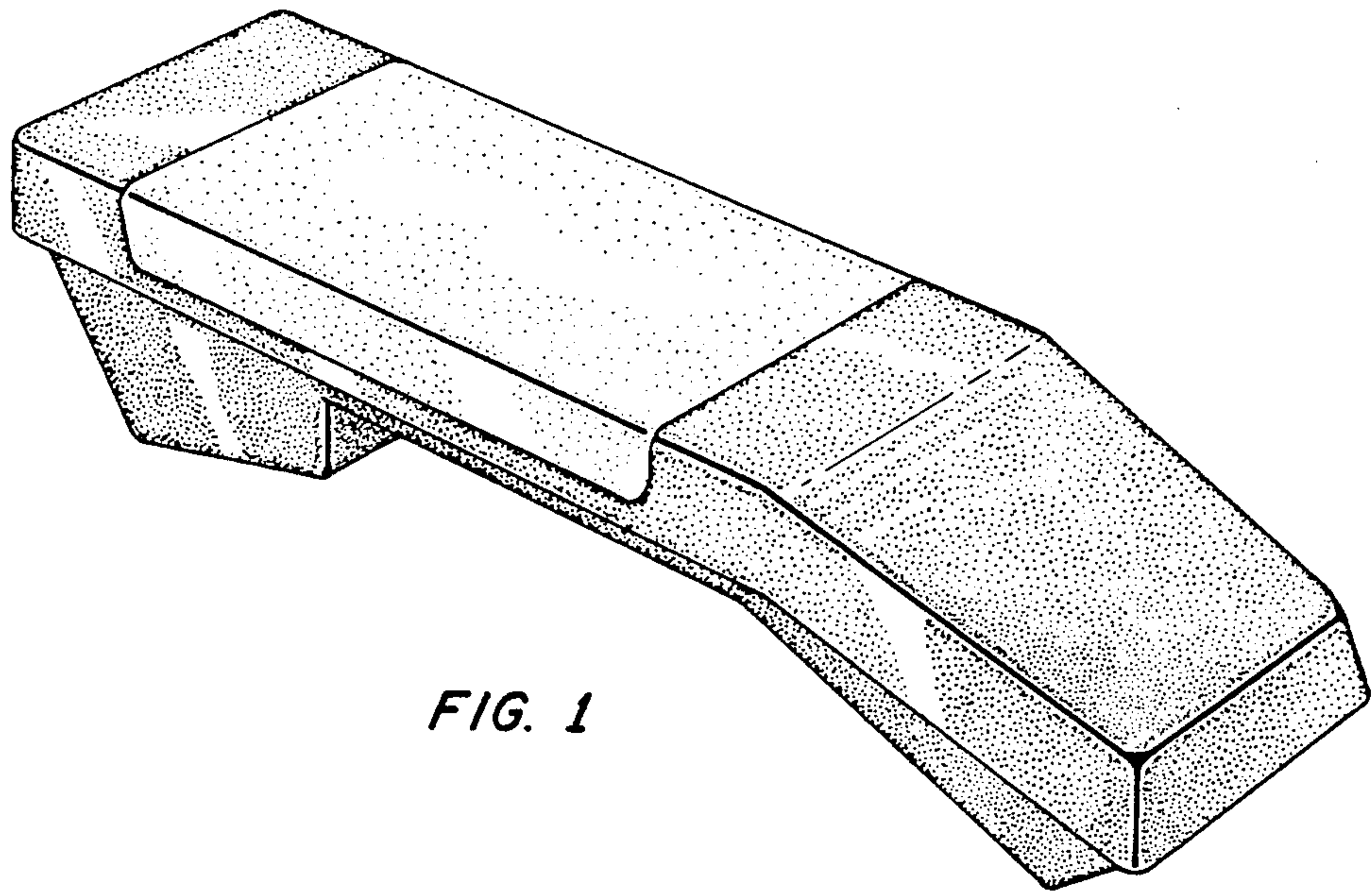


FIG. 1

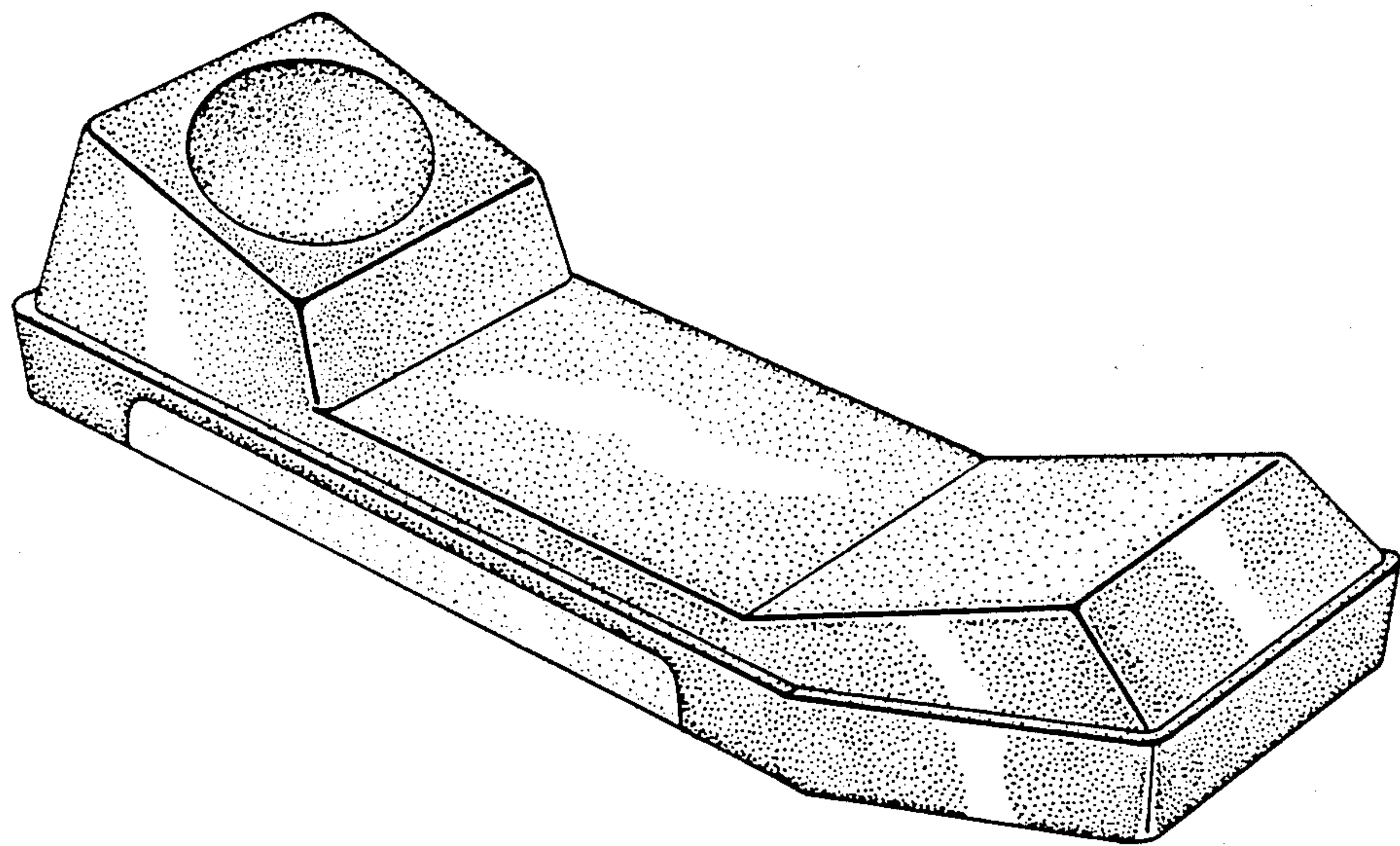


FIG. 7

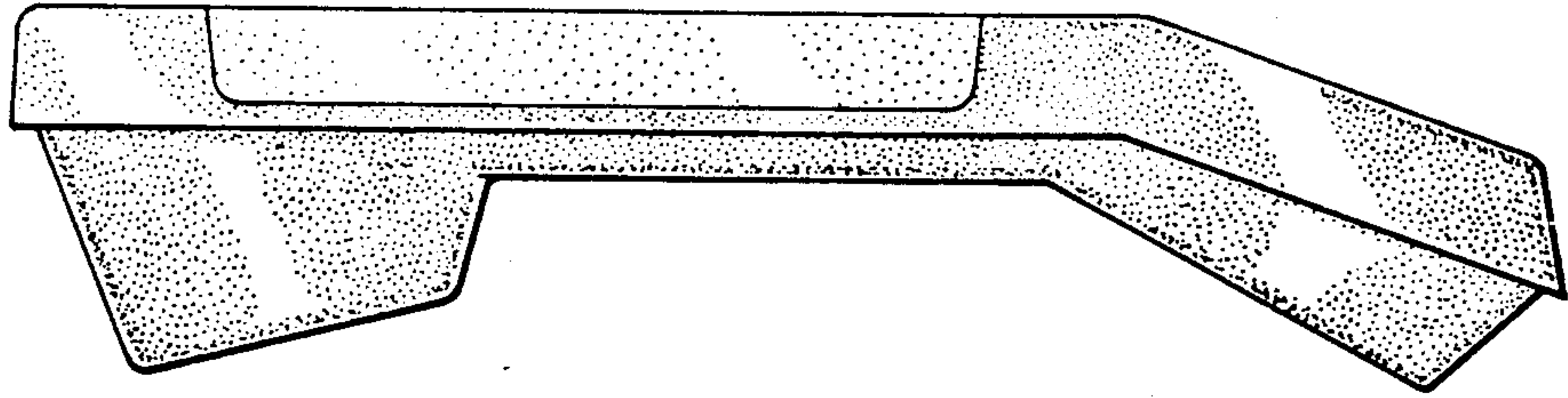


FIG. 2

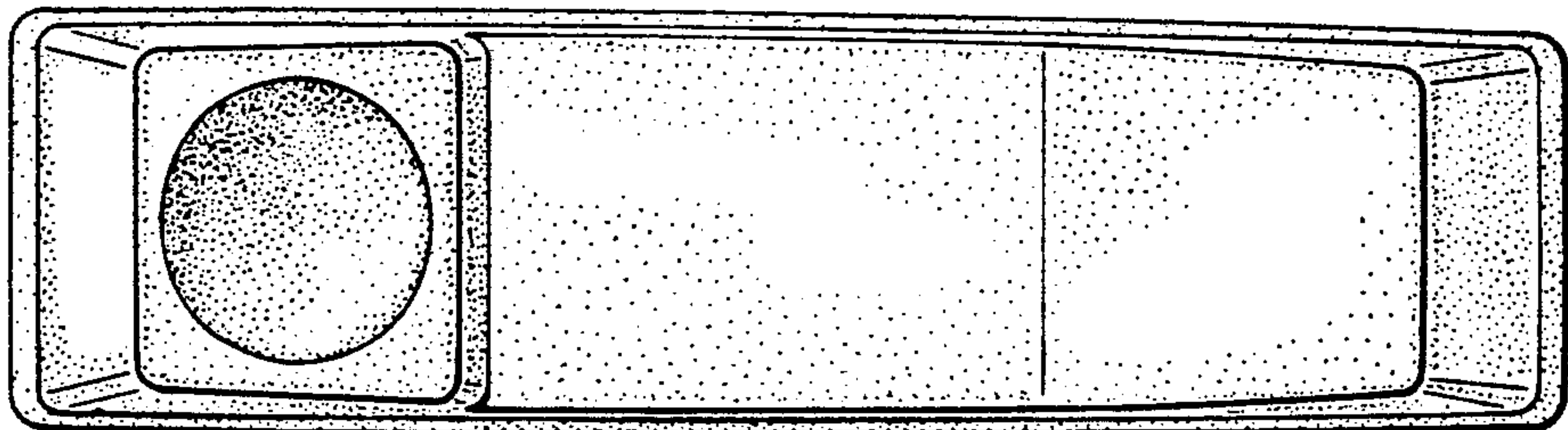


FIG. 3

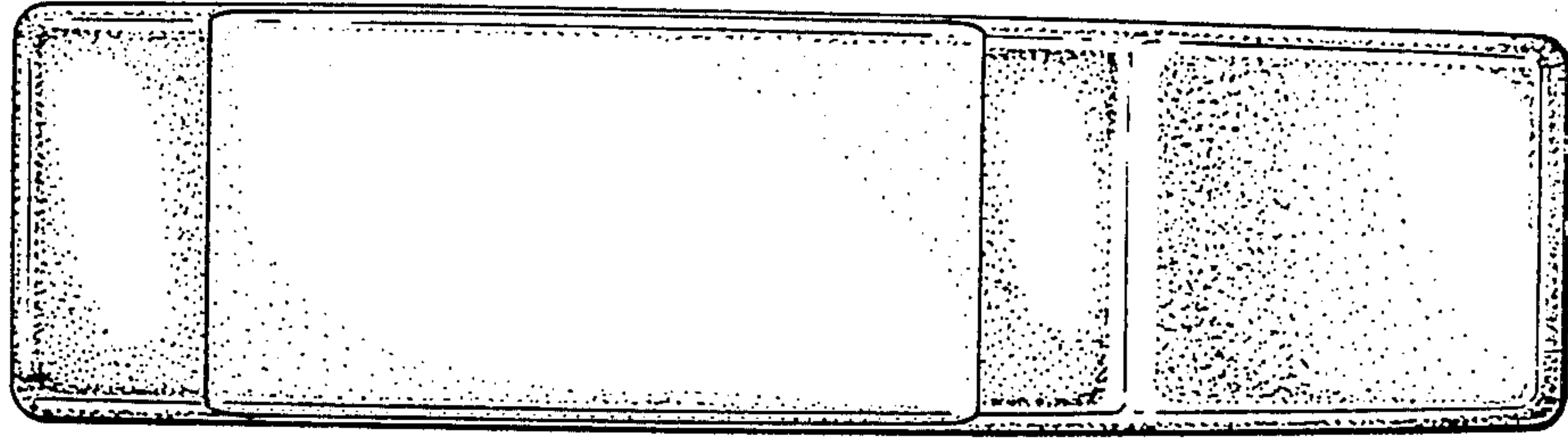


FIG. 4

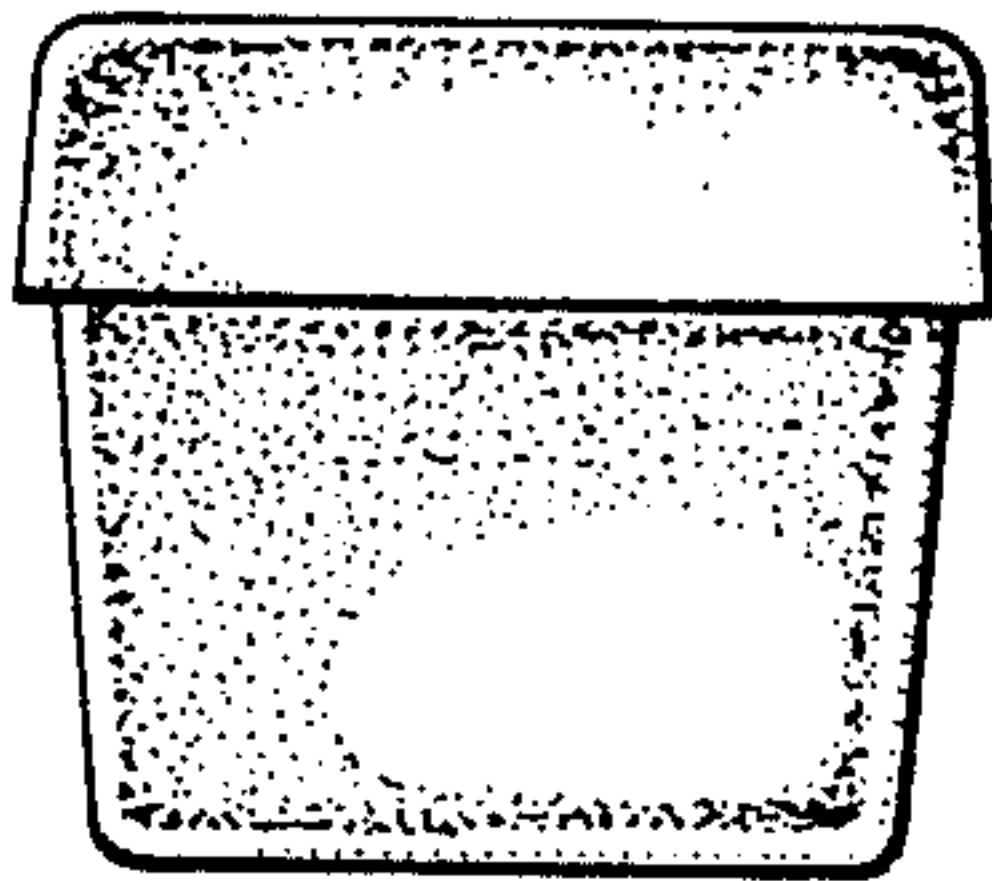


FIG. 5

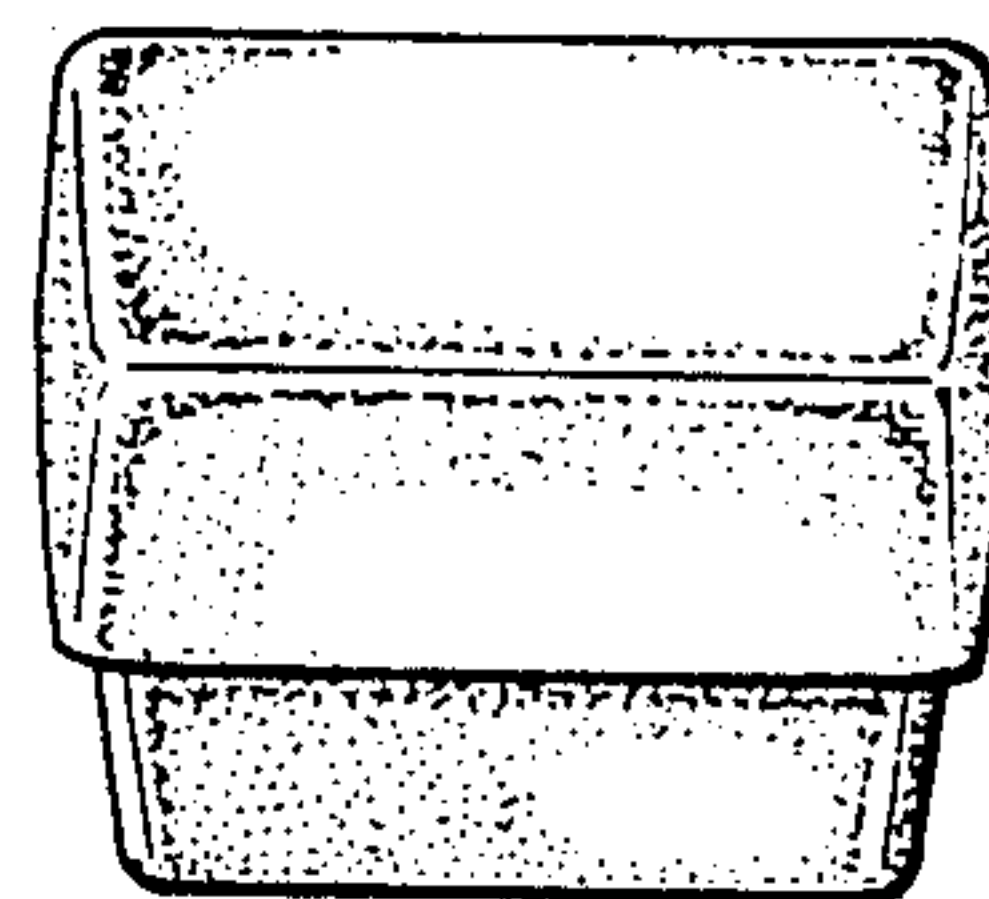


FIG. 6