

[54] **LOCKING CLIP PIN EXTENDER**

[75] **Inventors: Daniel J. Crowley, Harrisburg; James M. English, Coplay, both of Pa.**

[73] **Assignee: AMP Incorporated, Harrisburg, Pa.**

[\*\*] **Term: 14 Years**

[21] **Appl. No.: 553,898**

[22] **Filed: Nov. 21, 1983**

[52] **U.S. Cl. .... D13/24**

[58] **Field of Search ..... D13/24; 339/113 R, 113 B, 339/113 L, 206 R, 176, 192 R, 210 R, 75 R, 75 MP, 252, 284**

[56] **References Cited**

**U.S. PATENT DOCUMENTS**

- D. 233,239 10/1974 Welsh ..... D13/24
- D. 261,504 10/1981 Hollingsworth ..... D13/24
- D. 280,401 9/1985 Armistead ..... D13/24

- 3,104,925 9/1963 Macnamara ..... D13/24 X
- 3,629,803 12/1971 Gluntz ..... 339/206 R
- 3,862,791 1/1975 Miller ..... 339/198 R

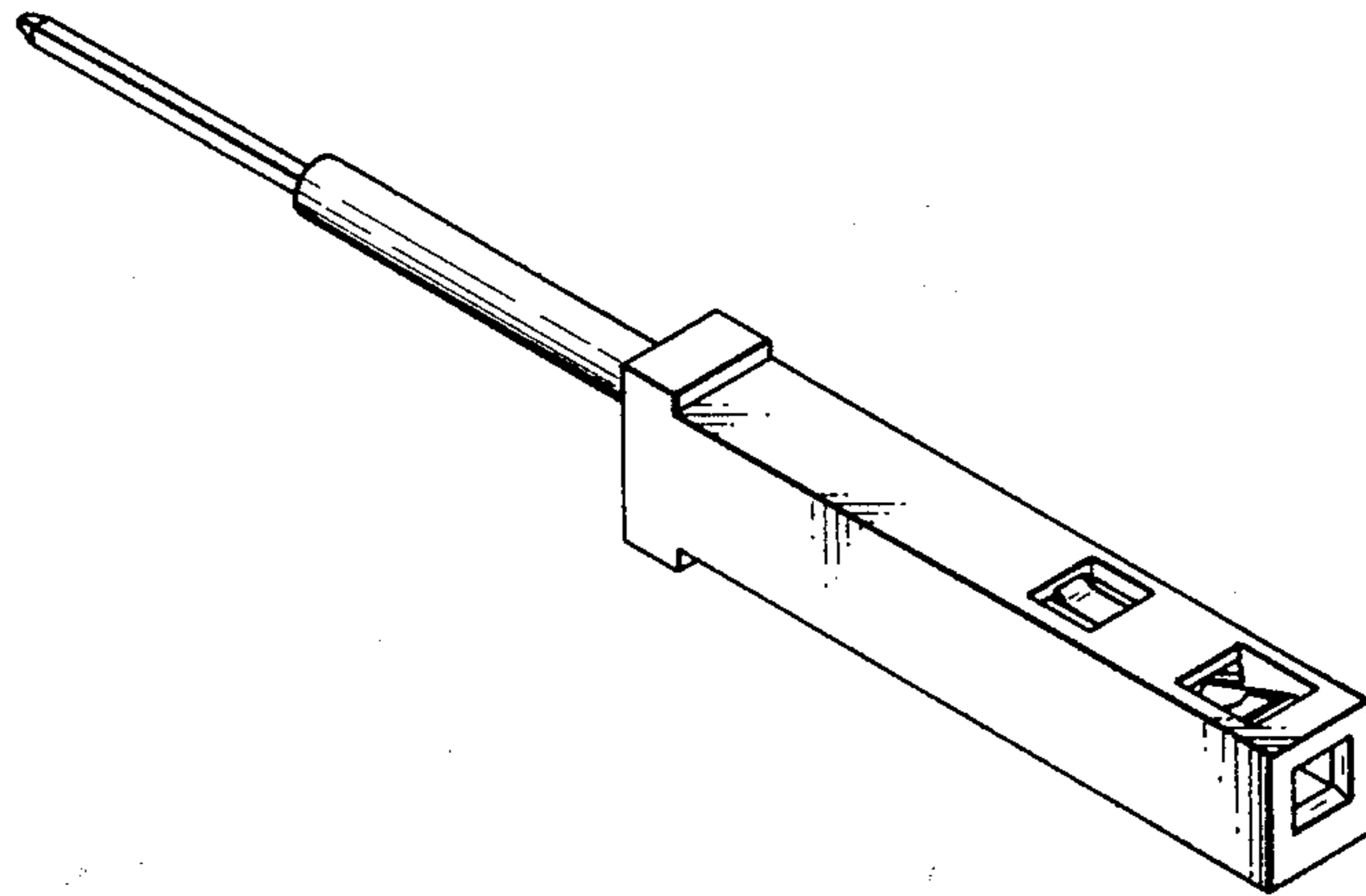
*Primary Examiner*—A. Hugo Word  
*Assistant Examiner*—Brian N. Vinson  
*Attorney, Agent, or Firm*—Katherine A. Nelson

[57] **CLAIM**

The ornamental design for a locking clip pin extender, as shown and described.

**DESCRIPTION**

FIG. 1 is a perspective view of the locking clip pin extender showing our new design; FIG. 2 is a top plan view thereof; FIG. 3 is a left side elevation thereof; FIG. 4 is a bottom plan view thereof; FIG. 5 is a right side elevation thereof; FIG. 6 is a rear end view thereof; and FIG. 7 is a front end view thereof.



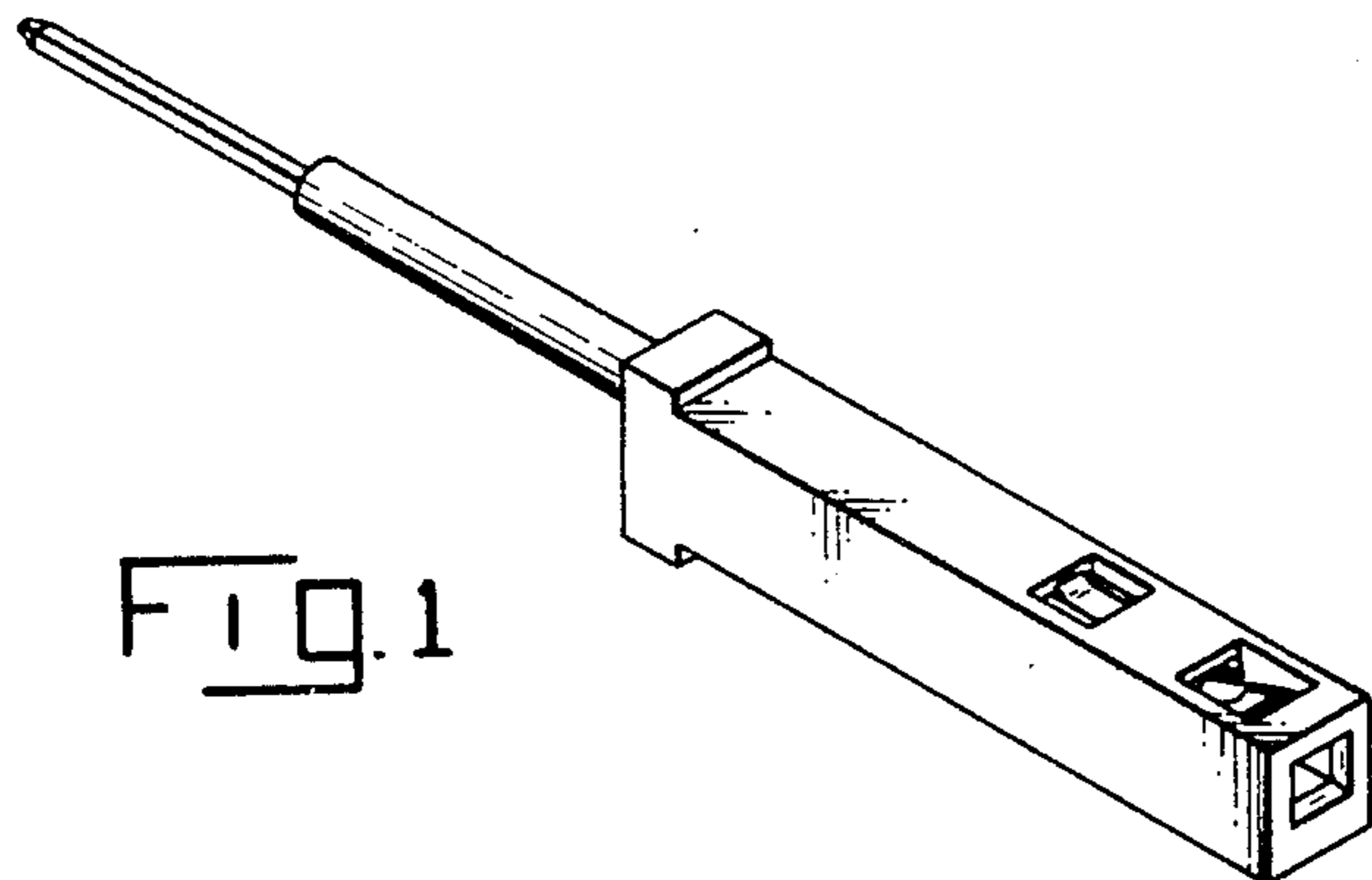


FIG. 1



FIG. 2



FIG. 3



FIG. 4



FIG. 5



FIG. 6



FIG. 7