

- [54] **LOCKABLE HOUSING FOR SECURING ELECTRICAL PLUGS**
- [75] **Inventor: Joseph P. Epley, Milford, Mich.**
- [73] **Assignee: The Budd Company, Troy, Mich.**
- [**] **Term: 14 Years**
- [21] **Appl. No.: 488,873**
- [22] **Filed: Apr. 26, 1983**
- [52] **U.S. Cl. D13/24**
- [58] **Field of Search D99/28; D13/11, 28, D13/40, 41, 24; D9/426; 220/72, 4 B; 339/36, 37, 39**

[56]

References Cited

U.S. PATENT DOCUMENTS

- D. 203,591 2/1966 Piaselki D13/24
- D. 223,921 6/1972 Liberman D13/24
- 3,056,942 10/1962 Carbaugh et al. D13/24 X
- 3,606,065 9/1971 Carlson 220/4 B
- 3,987,829 10/1976 Leone 220/72

FOREIGN PATENT DOCUMENTS

- 2117818 10/1972 Fed. Rep. of Germany 339/37

Primary Examiner—Charles A. Rademaker
Assistant Examiner—Terry Pfeffer
Attorney, Agent, or Firm—Harness, Dickey & Pierce

[57]

CLAIM

The ornamental design for a lockable housing for secur-

ing electrical plugs, substantially as shown and described.

DESCRIPTION

FIG. 1 is a top rear, left side perspective view of a lockable housing for securing electrical plugs showing my new design;
 FIG. 2 is a top plan view thereof;
 FIG. 3 is a front view thereof;
 FIG. 4 is a bottom plan view thereof;
 FIG. 5 is a rear view thereof;
 FIG. 6 is a left side view thereof;
 FIG. 7 is a right side view thereof;
 FIG. 8 is a left side view thereof showing the container open;
 FIG. 9 is a top, front, right side perspective view of an alternative embodiment of that shown in FIG. 1;
 FIG. 10 is a top plan view of the alternative embodiment;
 FIG. 11 is a front view of the alternative embodiment;
 FIG. 12 is a bottom plan view of the alternative embodiment;
 FIG. 13 is a right side view of the alternative embodiment;
 FIG. 14 is a left side view of the alternative embodiment;
 FIG. 15 is a rear view of the alternative embodiment;
 and
 FIG. 16 is a cross-sectional view taken along the lines 16—16 of FIG. 11.

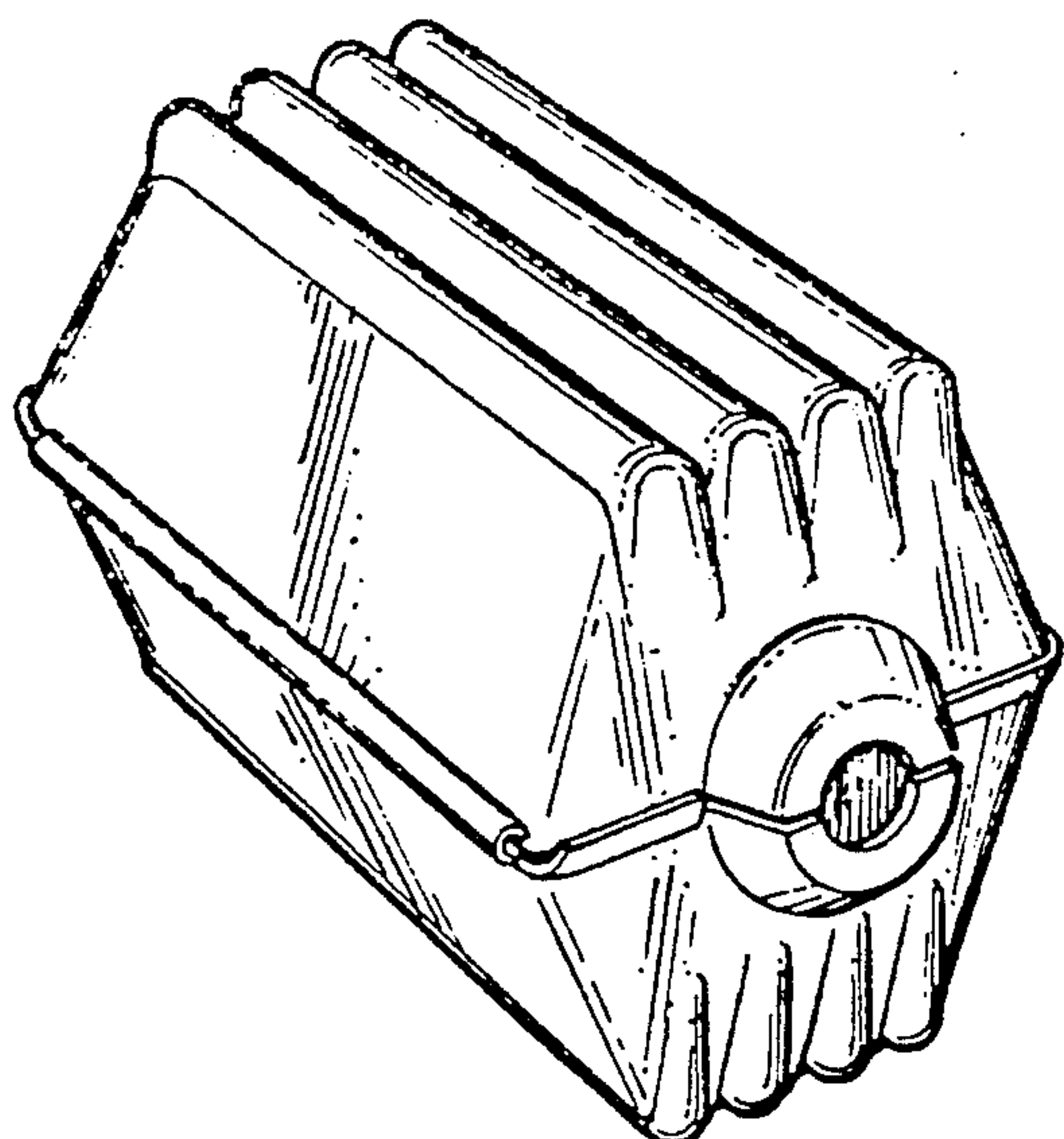


Fig-1

Fig-2

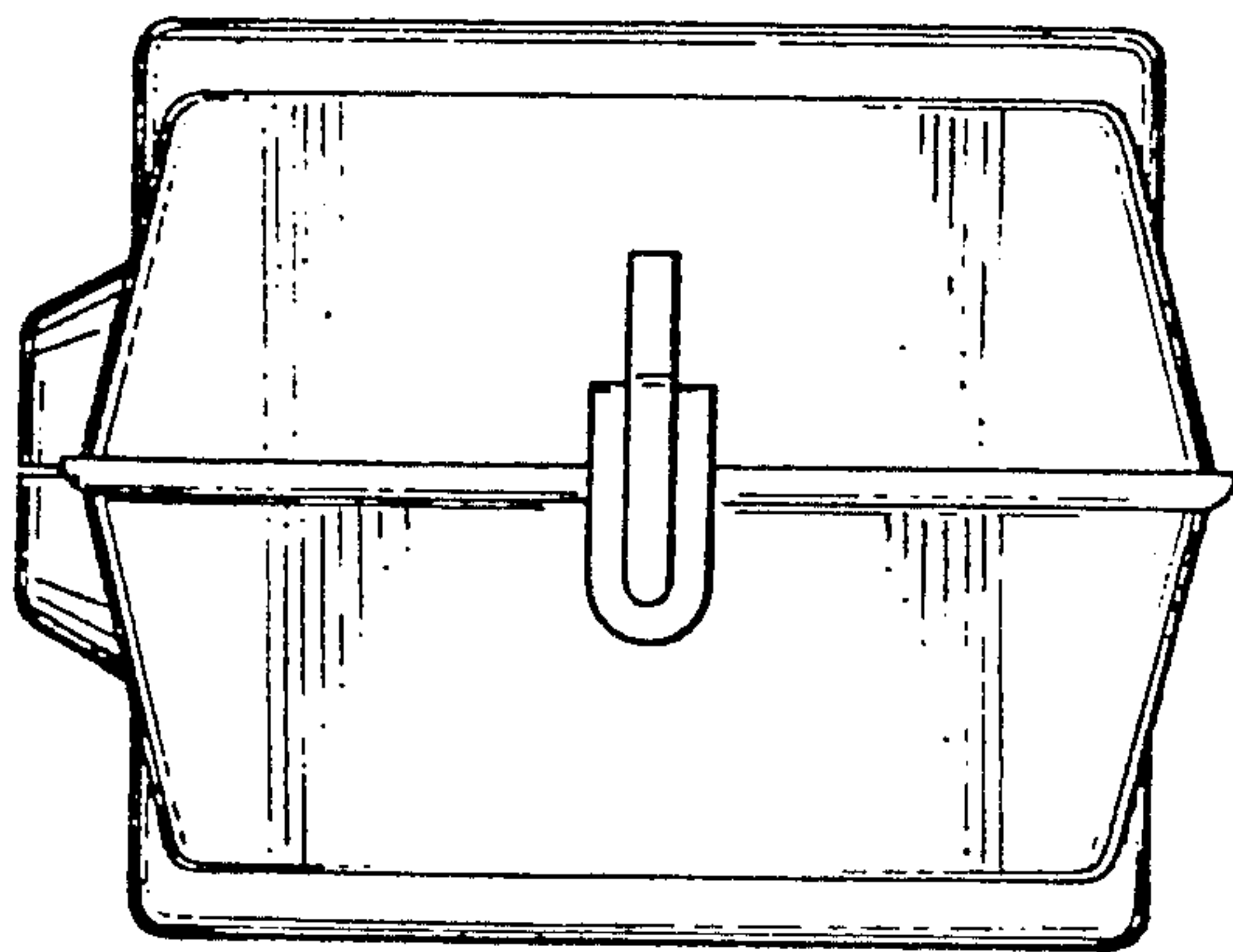
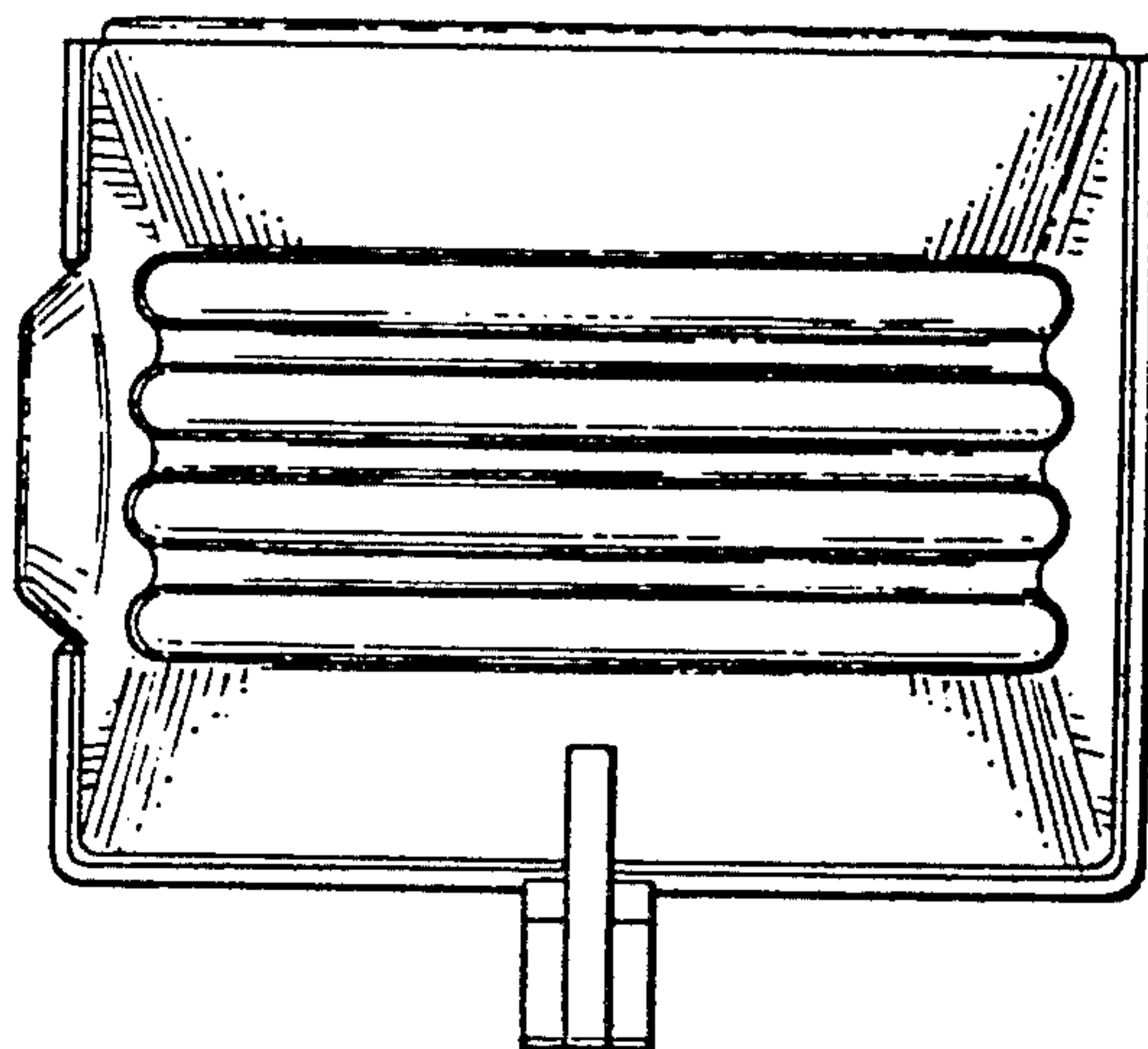
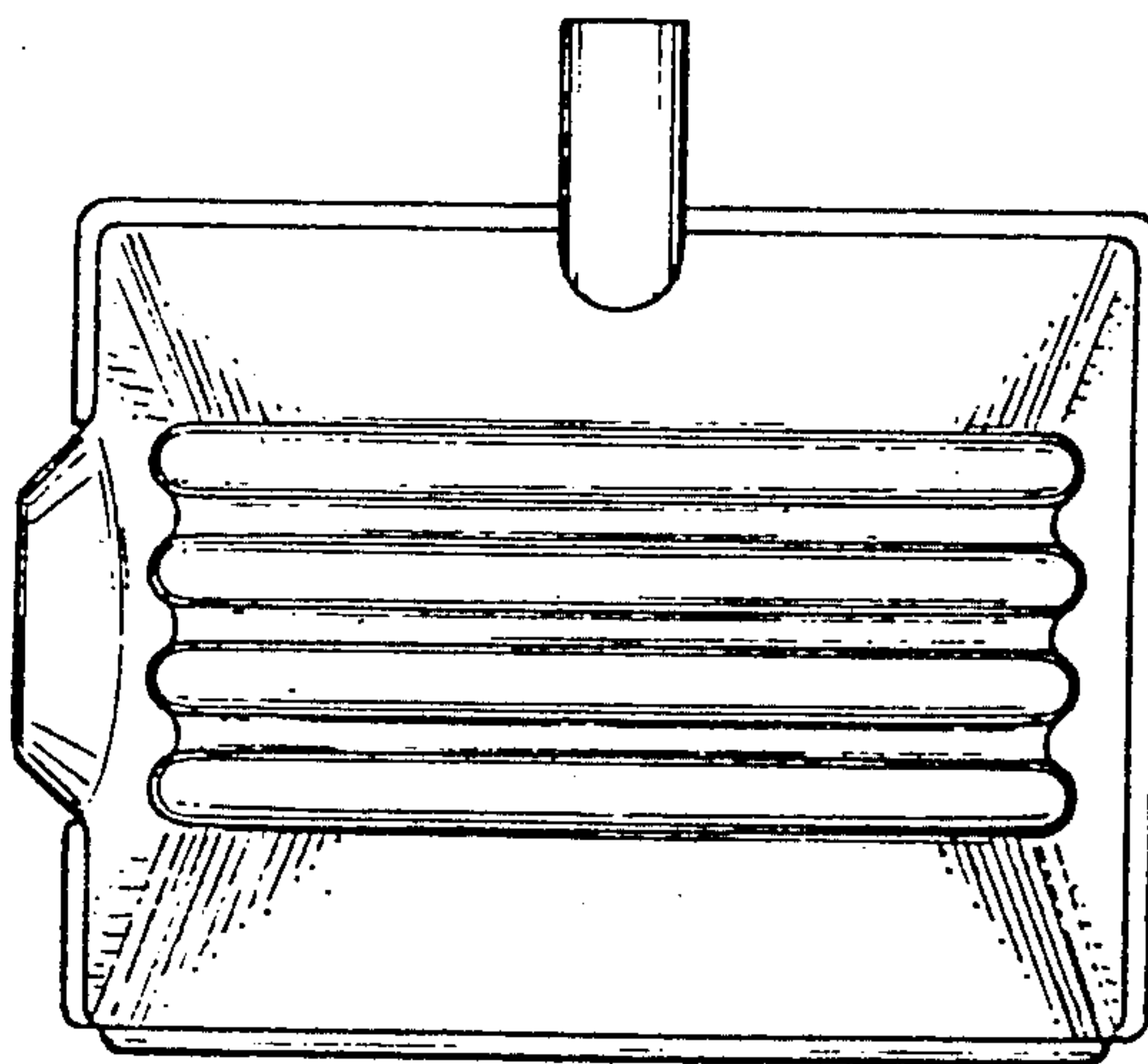


Fig-3

Fig-4



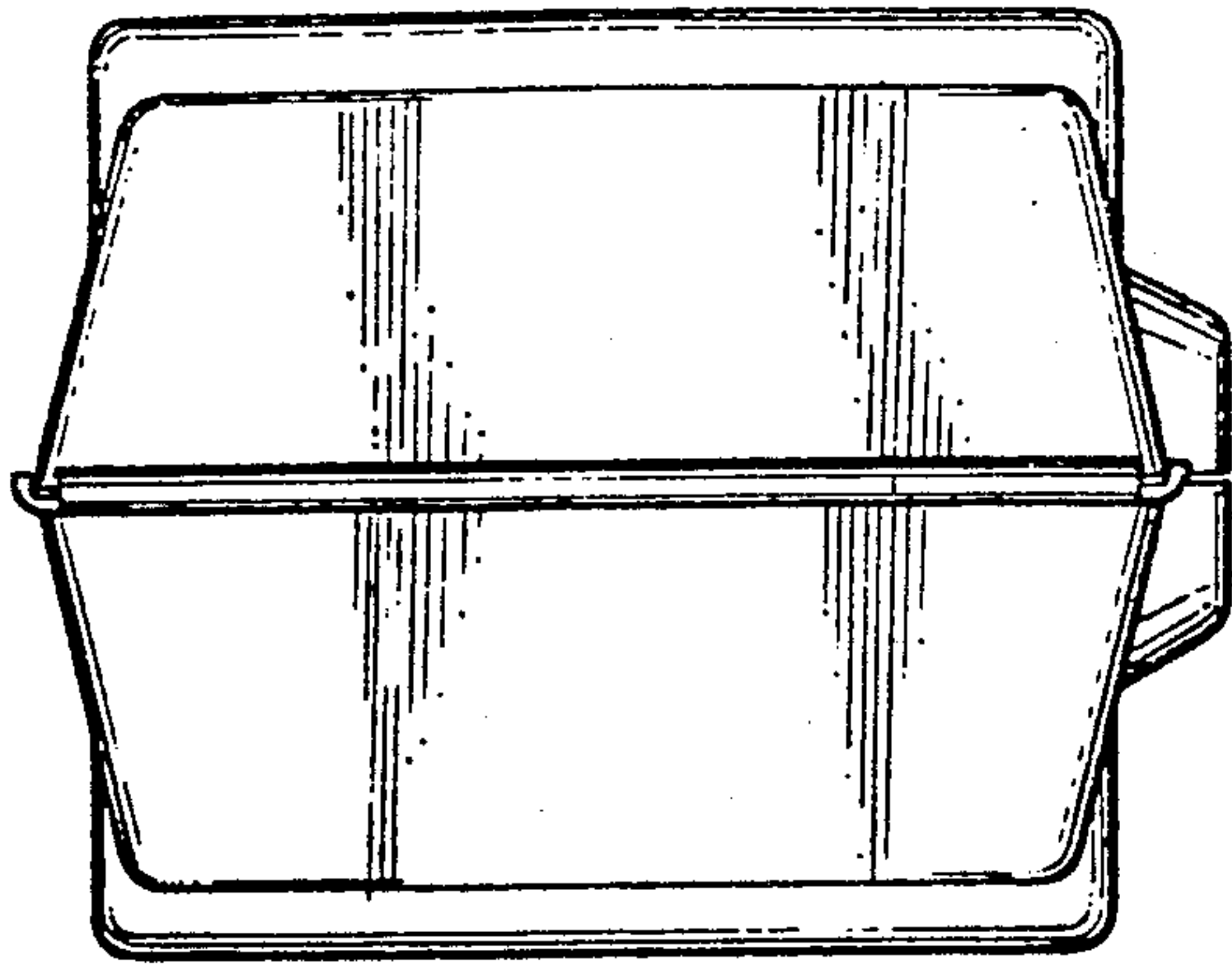


Fig-5

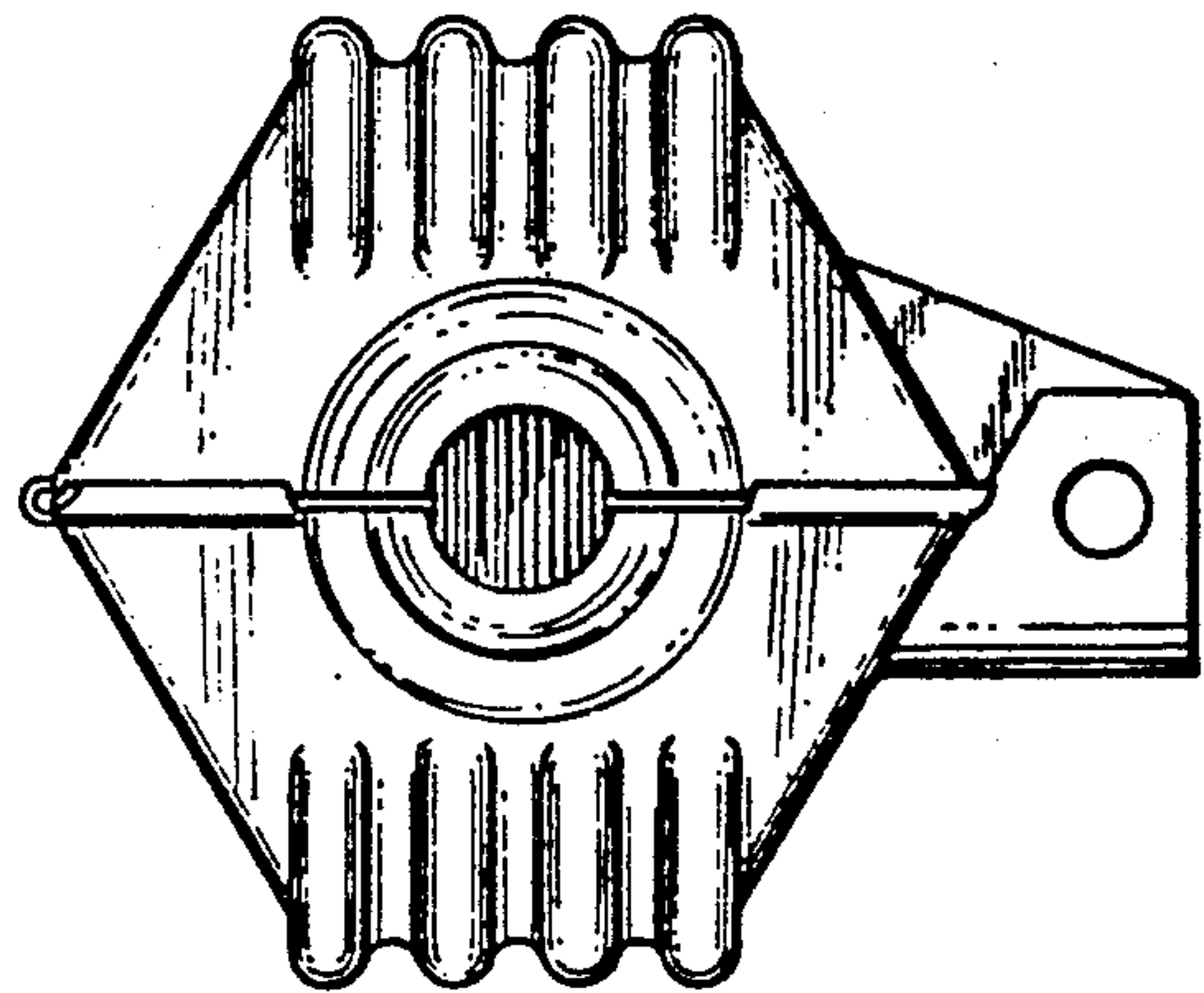


Fig-6

Fig-7

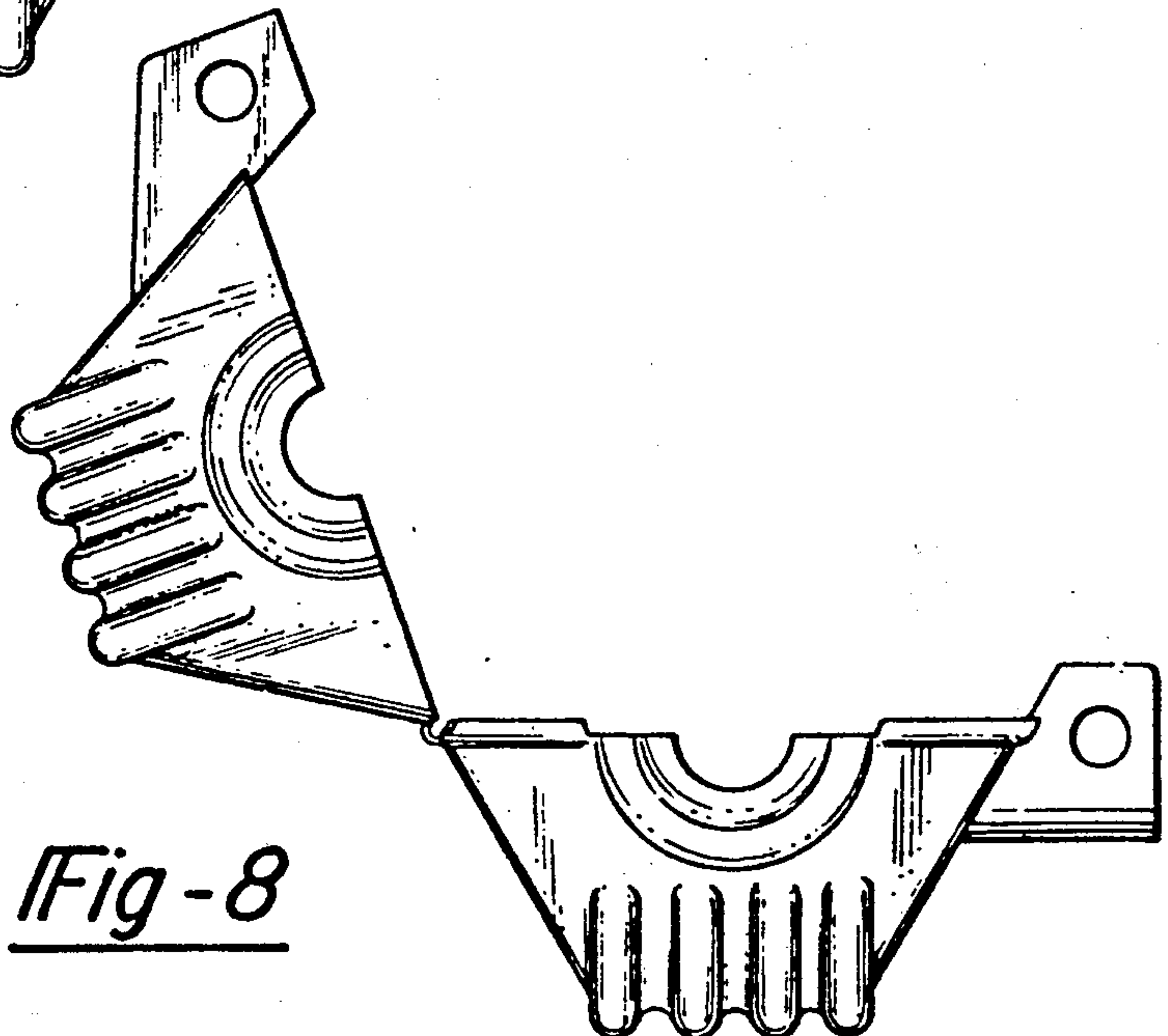
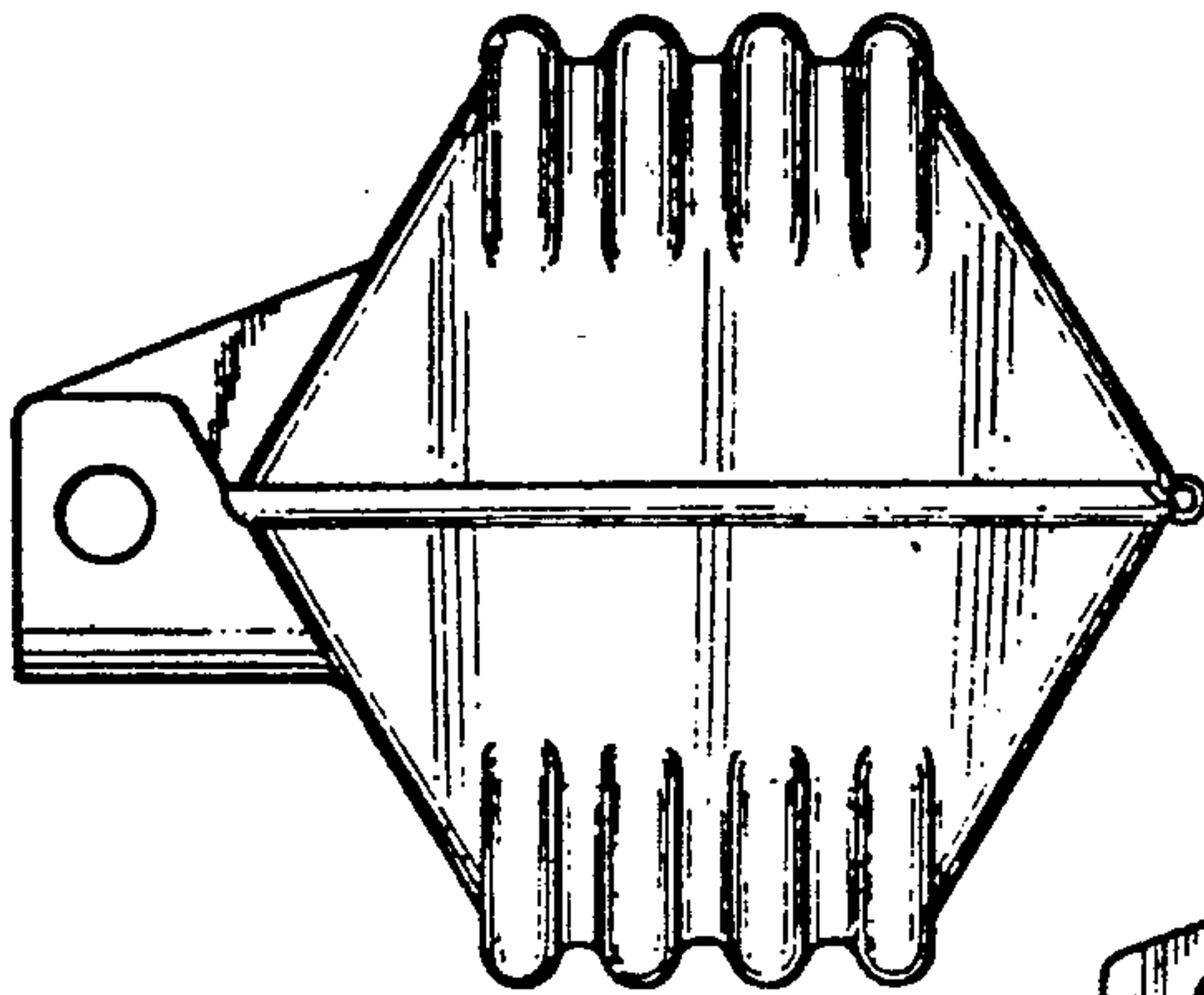


Fig-8

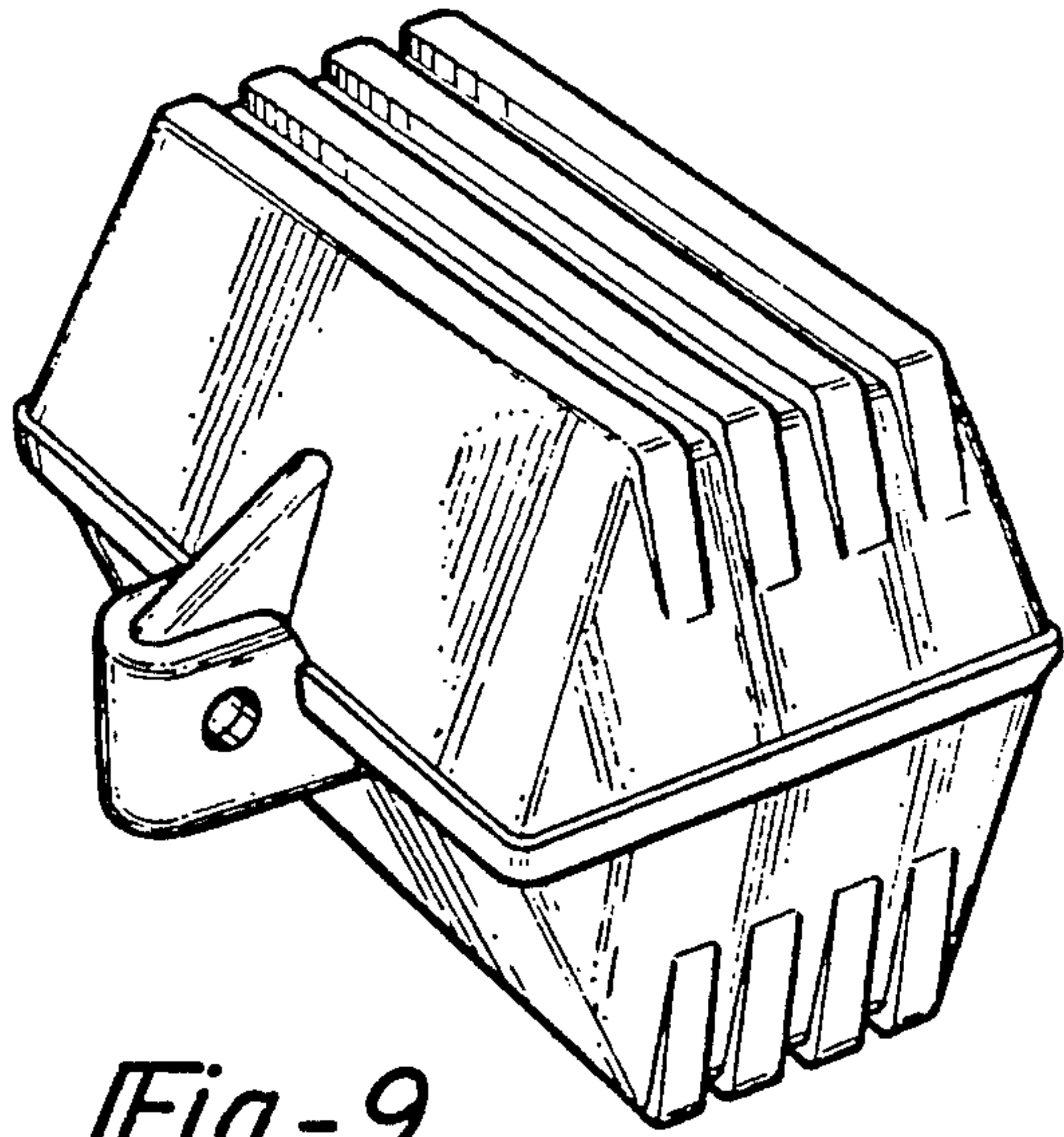


Fig-9

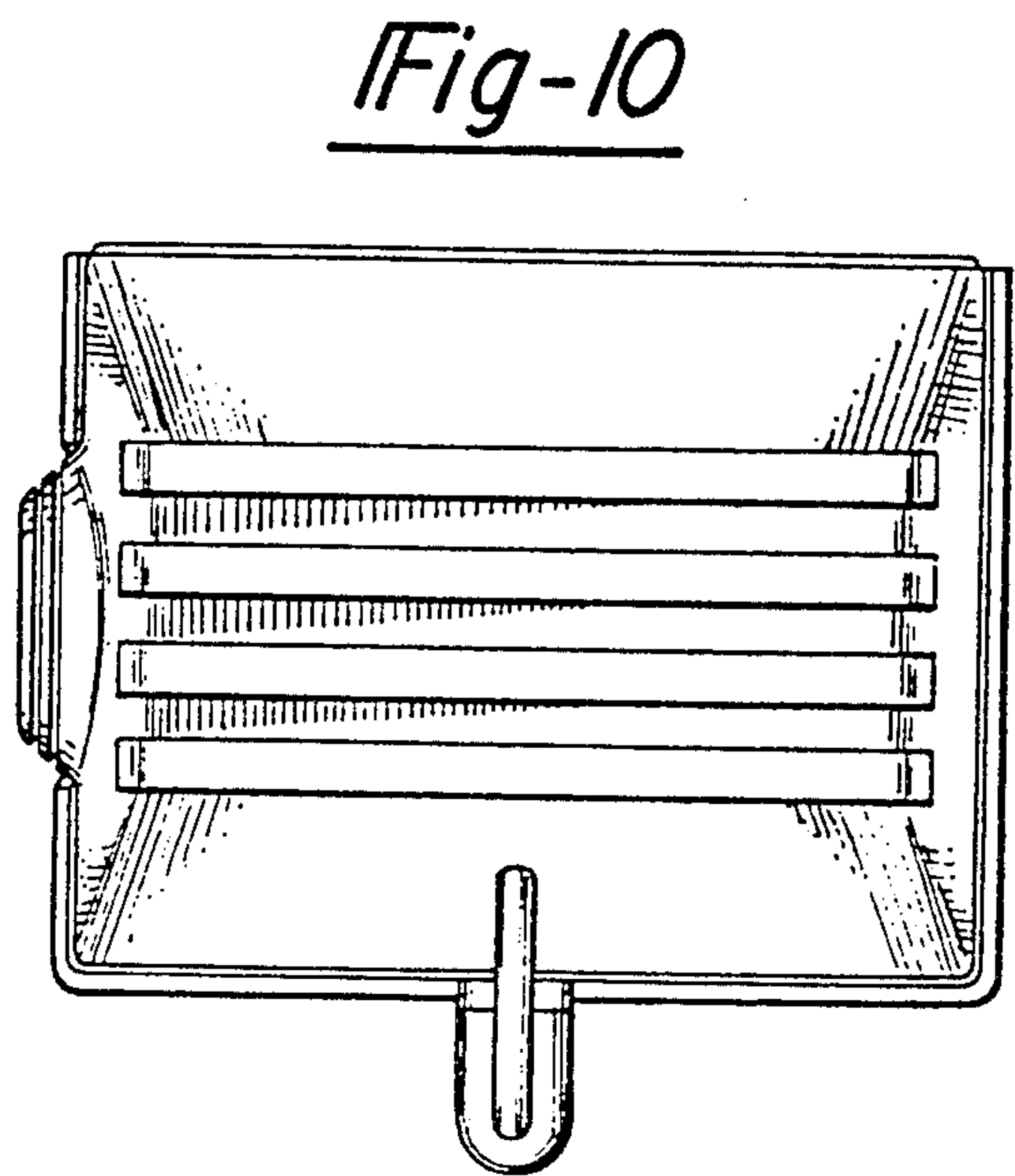


Fig-10

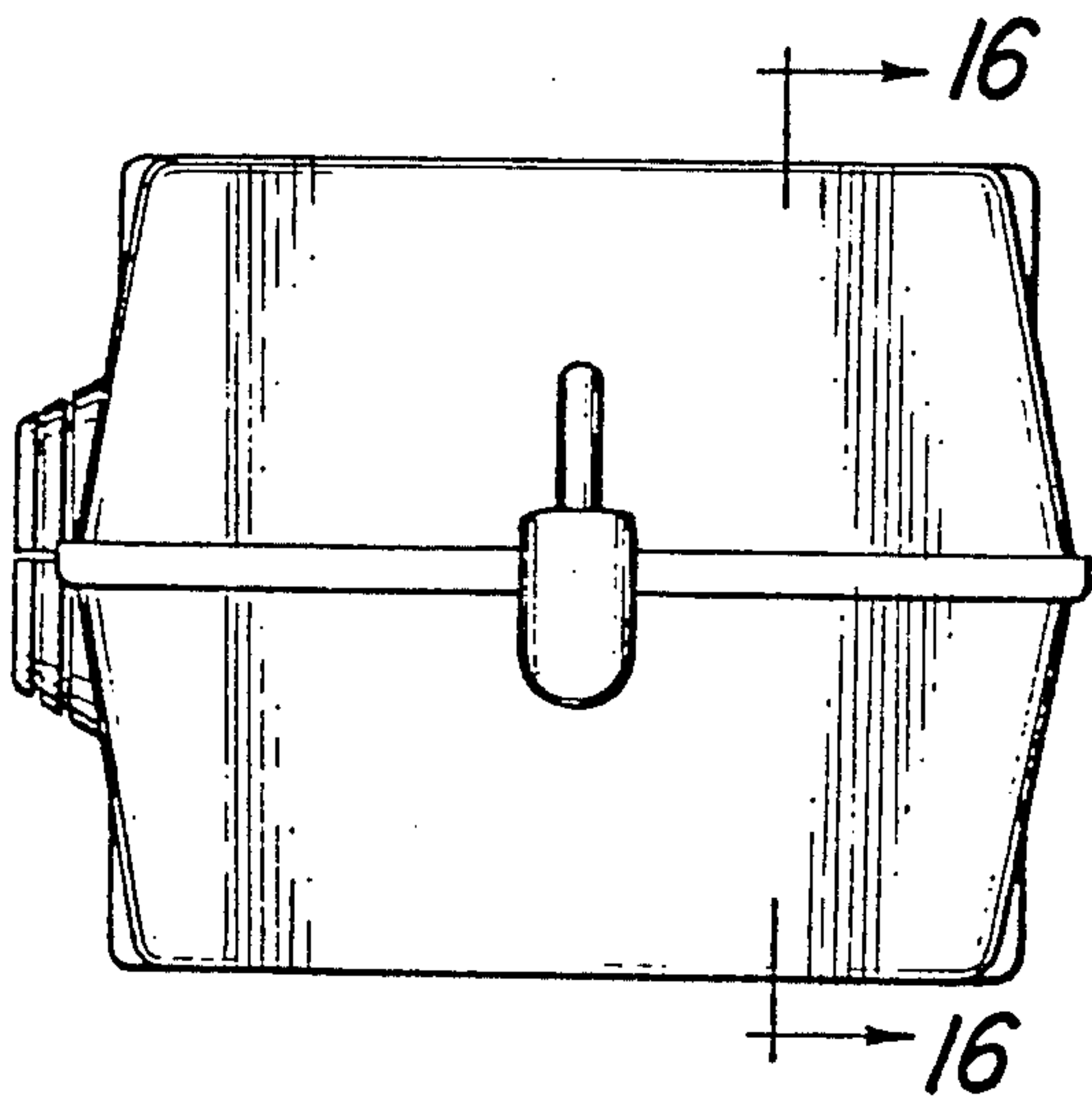


Fig-11

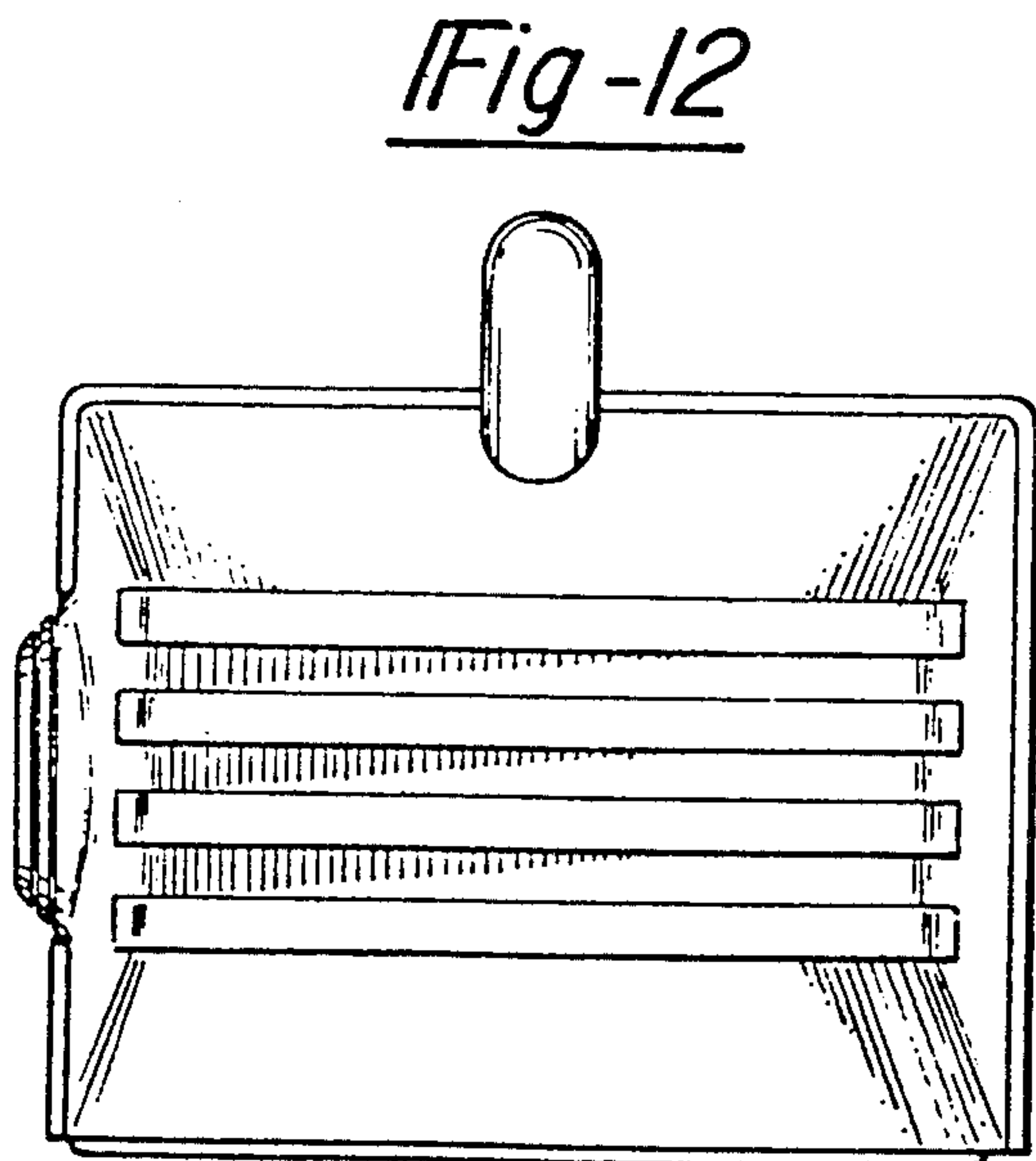


Fig-12

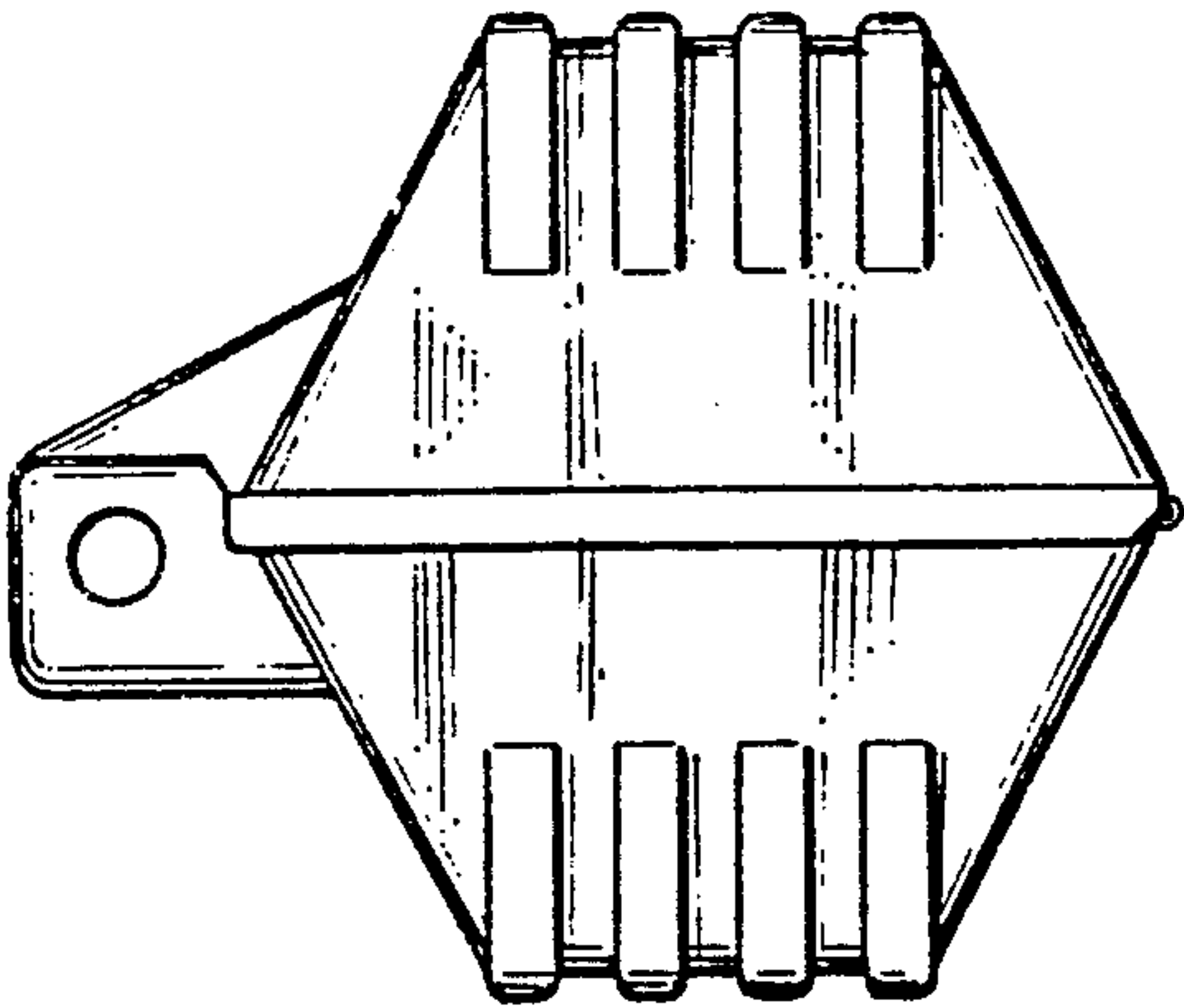


Fig-13

Fig-14

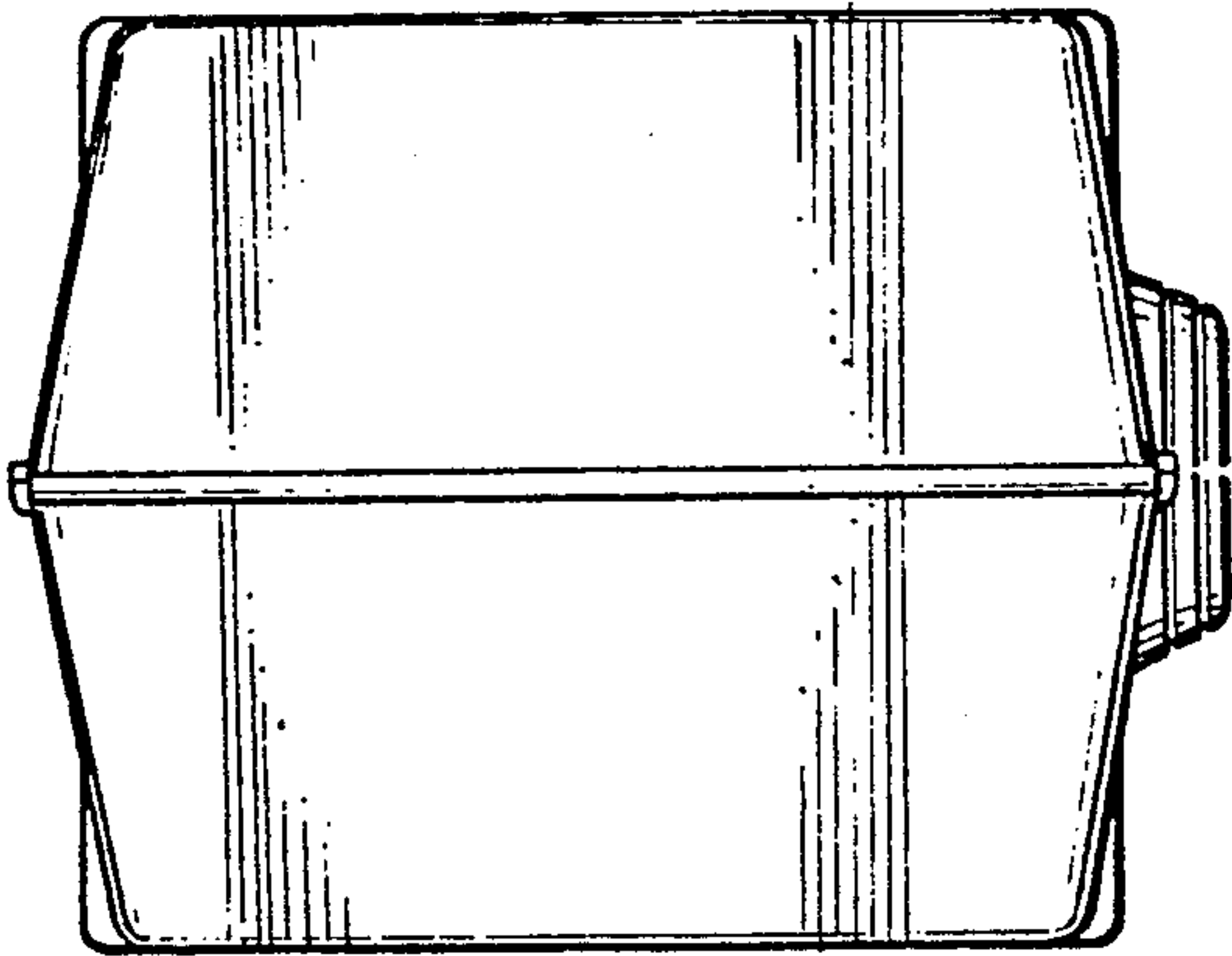
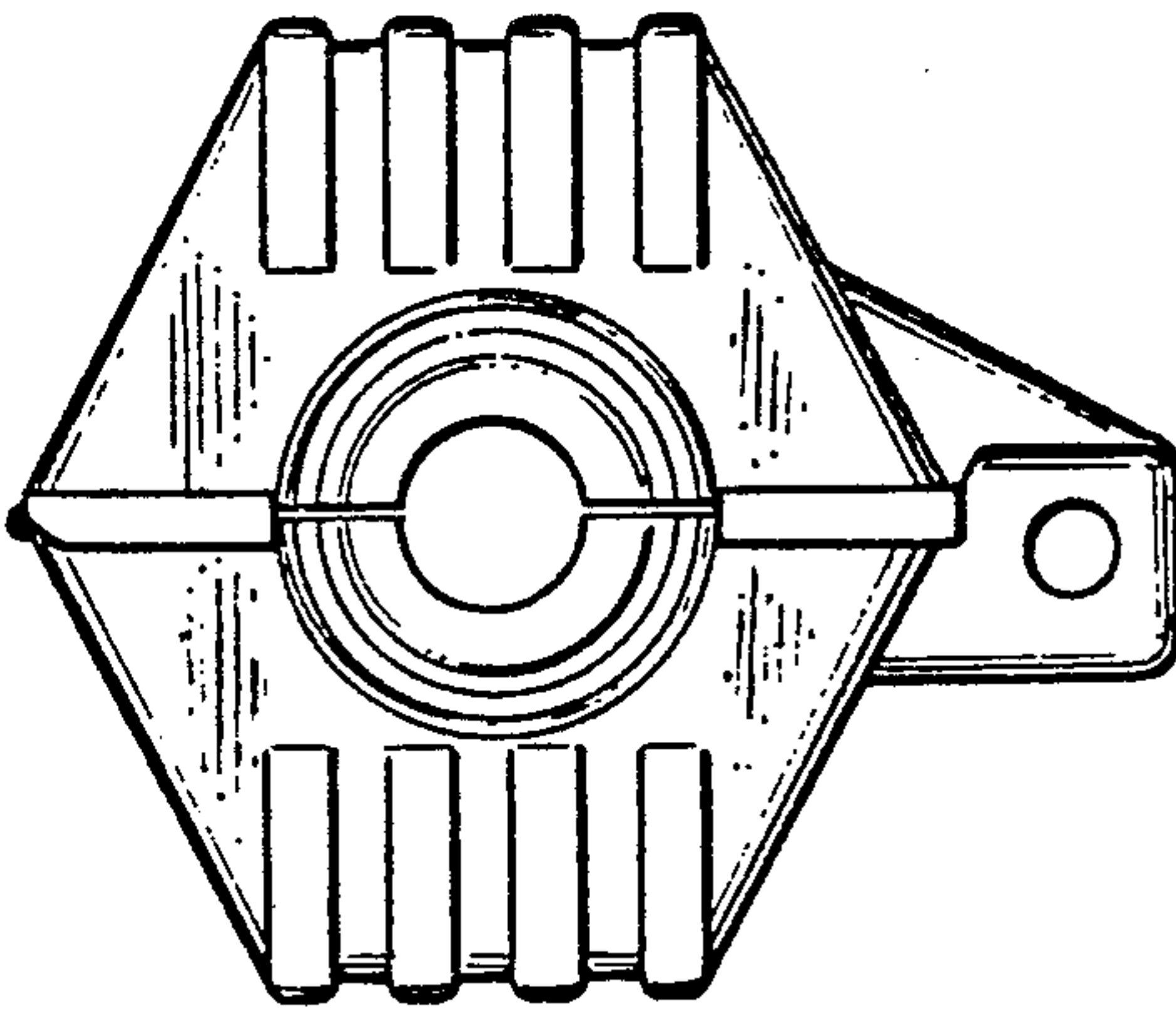


Fig-15

Fig-16

