

[54] **PEDAL FOR A BICYCLE**

[75] **Inventor: Koji Shimizu, Sakai, Japan**

[73] **Assignee: Shimano Industrial Company Limited, Osaka, Japan**

[**] **Term: 14 Years**

[21] **Appl. No.: 506,823**

[22] **Filed: Jun. 22, 1983**

[30] **Foreign Application Priority Data**

Dec. 28, 1982 [JP] Japan 57-59348

[52] **U.S. Cl. D12/125**

[58] **Field of Search D12/125; 74/594.4, 594.5**

[56] **References Cited**

U.S. PATENT DOCUMENTS

4,445,397 5/1984 Shimano 74/594.4

OTHER PUBLICATIONS

American Bicyclist and Motorcyclist, 7/82, p. 24, Shimano "FullFit" Pedal, bottom left side of page.

Primary Examiner—James M. Gandy
Attorney, Agent, or Firm—Stevens, Davis, Miller & Mosher

[57] **CLAIM**

The ornamental design for a pedal for a bicycle, as shown.

DESCRIPTION

FIG. 1 is a perspective view of a pedal for a bicycle showing my new design taken from the top, front and right side;

FIG. 2 is a perspective view thereof taken from the top, rear and left side;

FIG. 3 is a top plan view thereof, it being understood that the bottom is a mirror image of the top as shown herein;

FIG. 4 is a right side elevation view thereof; and

FIG. 5 is a left side elevation view thereof.

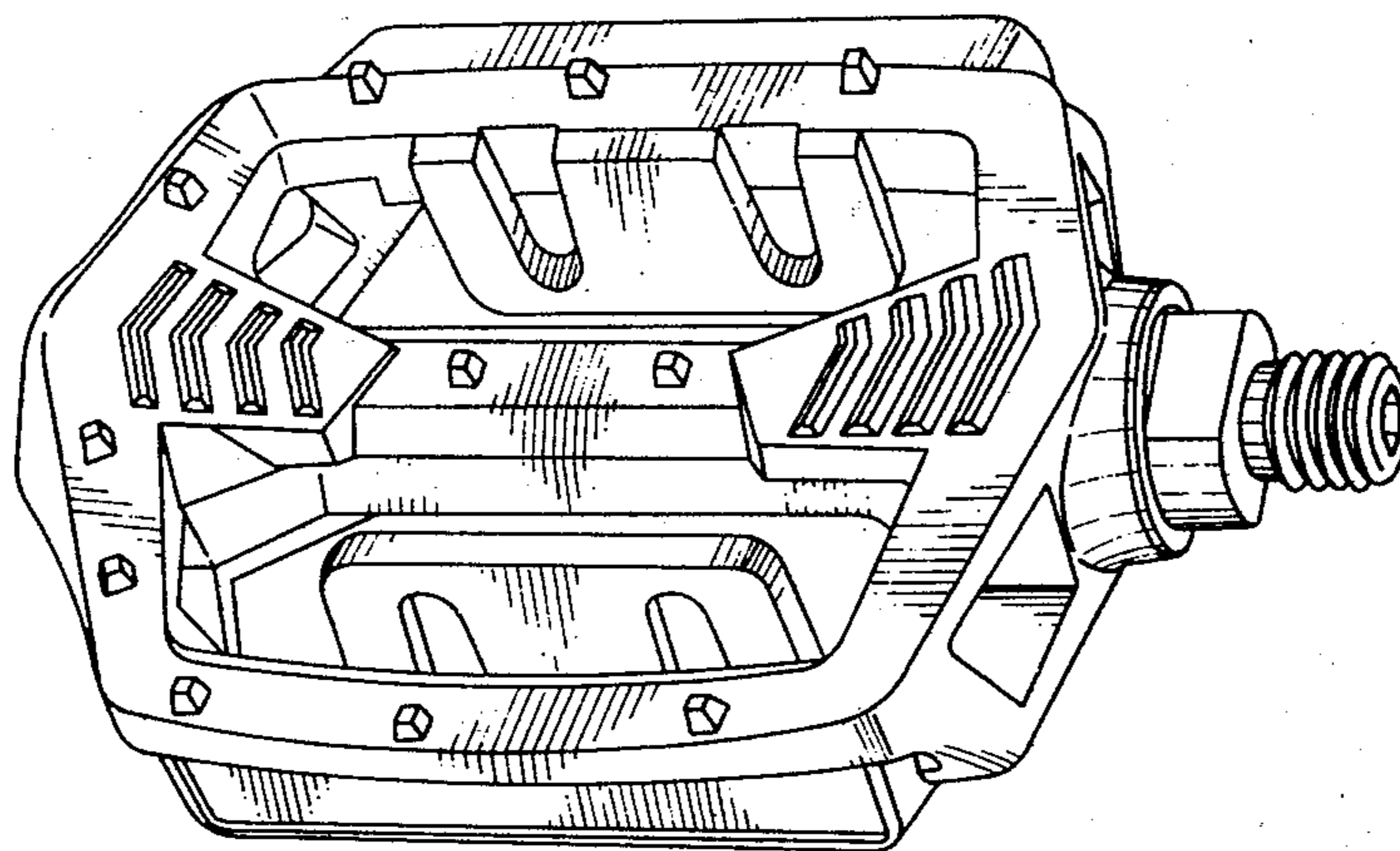


FIG. 1

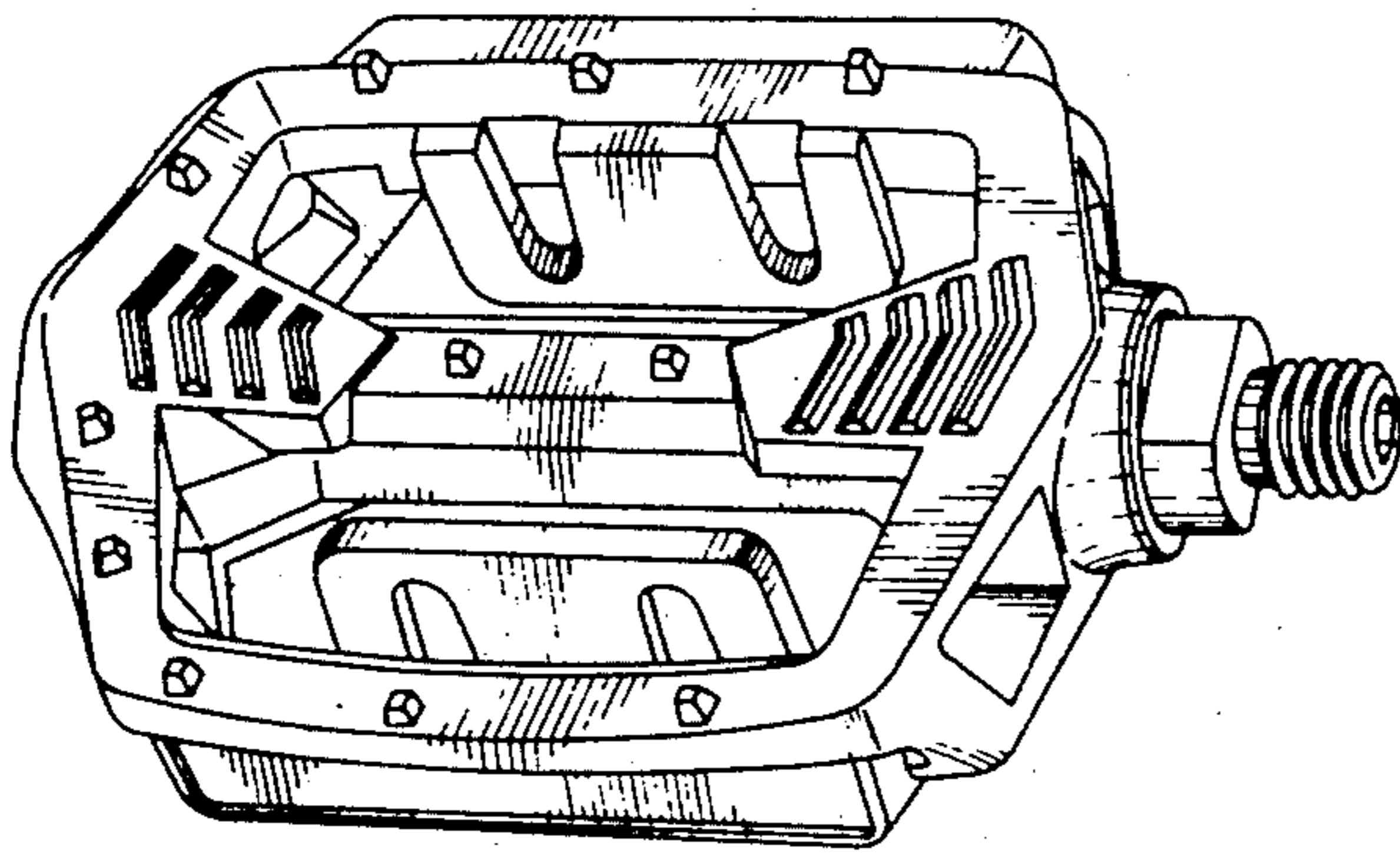


FIG. 2

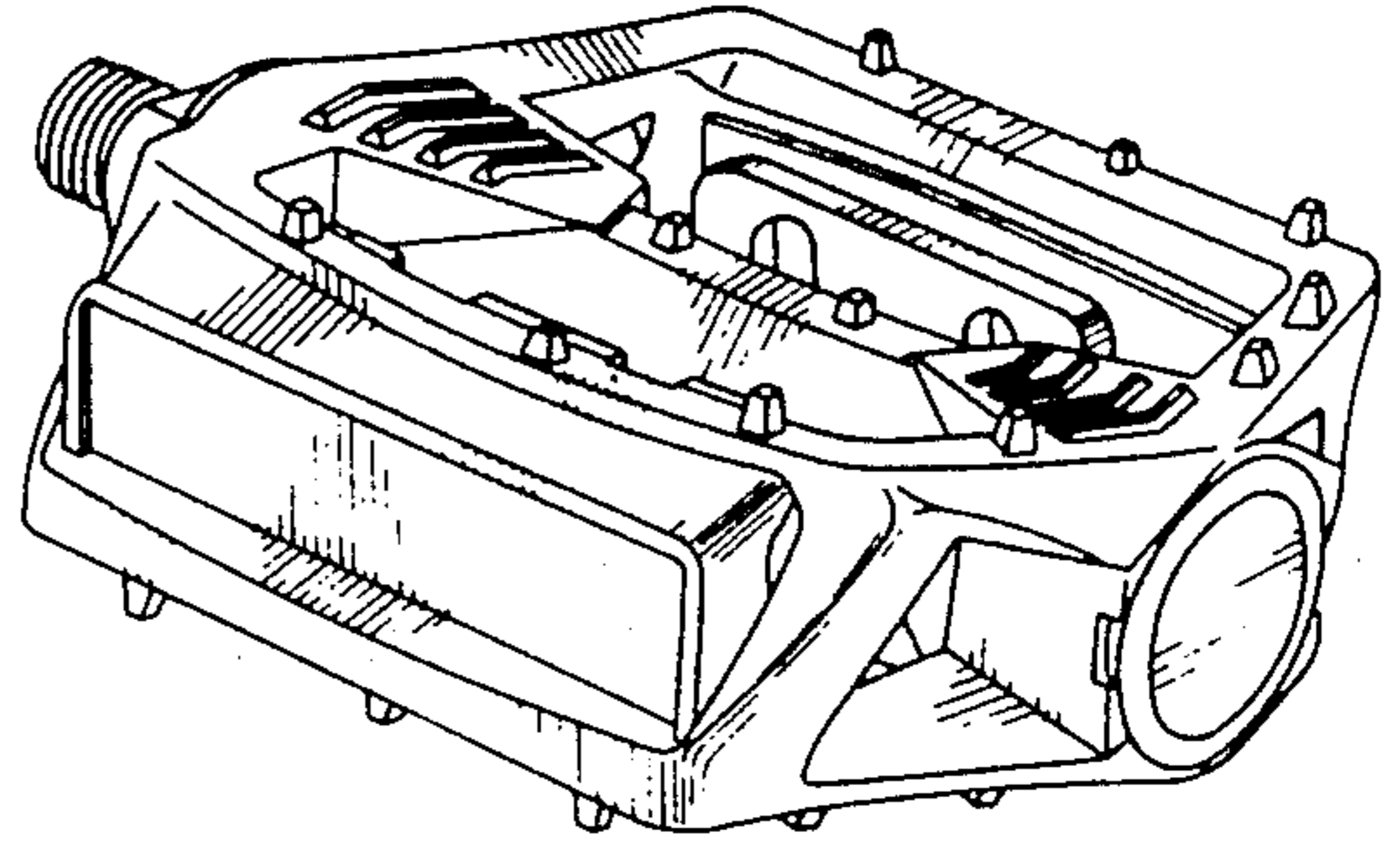


FIG. 3

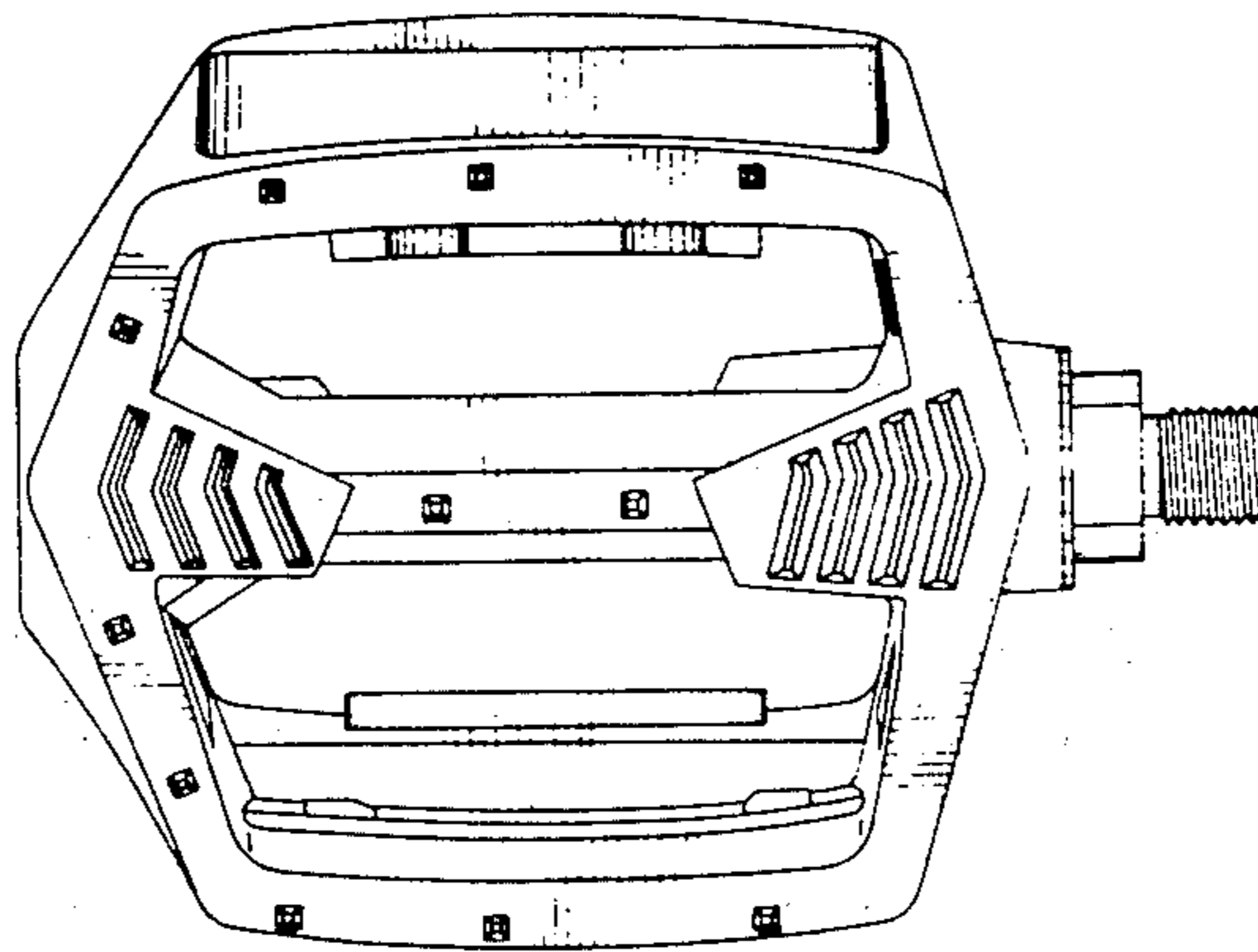


FIG. 4

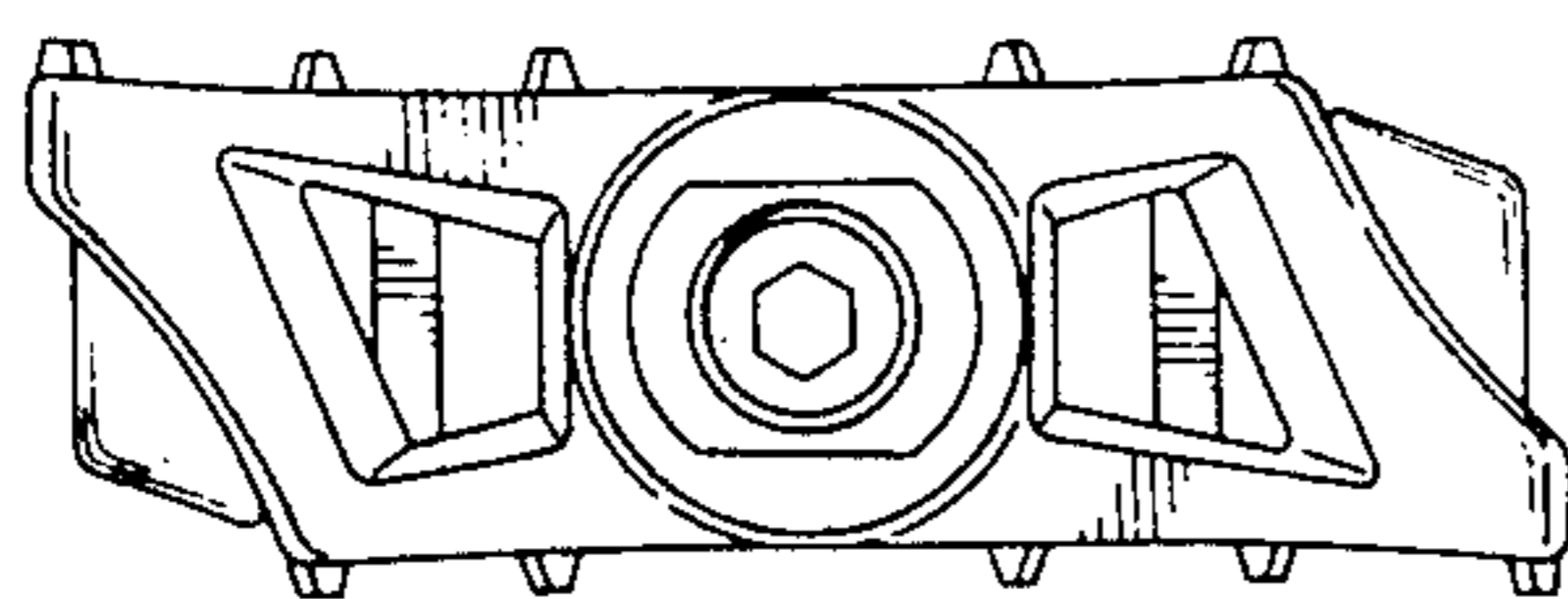


FIG. 5

