

[54] TIMER

[75] Inventors: Dan E. Gremonprez, West Bend, Wis.; William C. Cesaroni, Glenview, Ill.

[73] Assignee: Dart Industries Inc., Northbrook, Ill.

[**] Term: 14 Years

[21] Appl. No.: 581,493

[22] Filed: Feb. 17, 1984

[52] U.S. Cl. D10/40; D18/6

[58] Field of Search D10/15, 40; 368/89, 368/101, 107-117, 121; D18/6

[56] References Cited

U.S. PATENT DOCUMENTS

- D. 224,058 6/1972 Rudduck D18/6
- D. 259,723 6/1981 van de Ven D10/15

- D. 266,228 9/1982 Inora D10/15
- D. 275,082 8/1984 Goodin et al. D10/15 X

FOREIGN PATENT DOCUMENTS

- 128183 10/1980 Japan 368/113

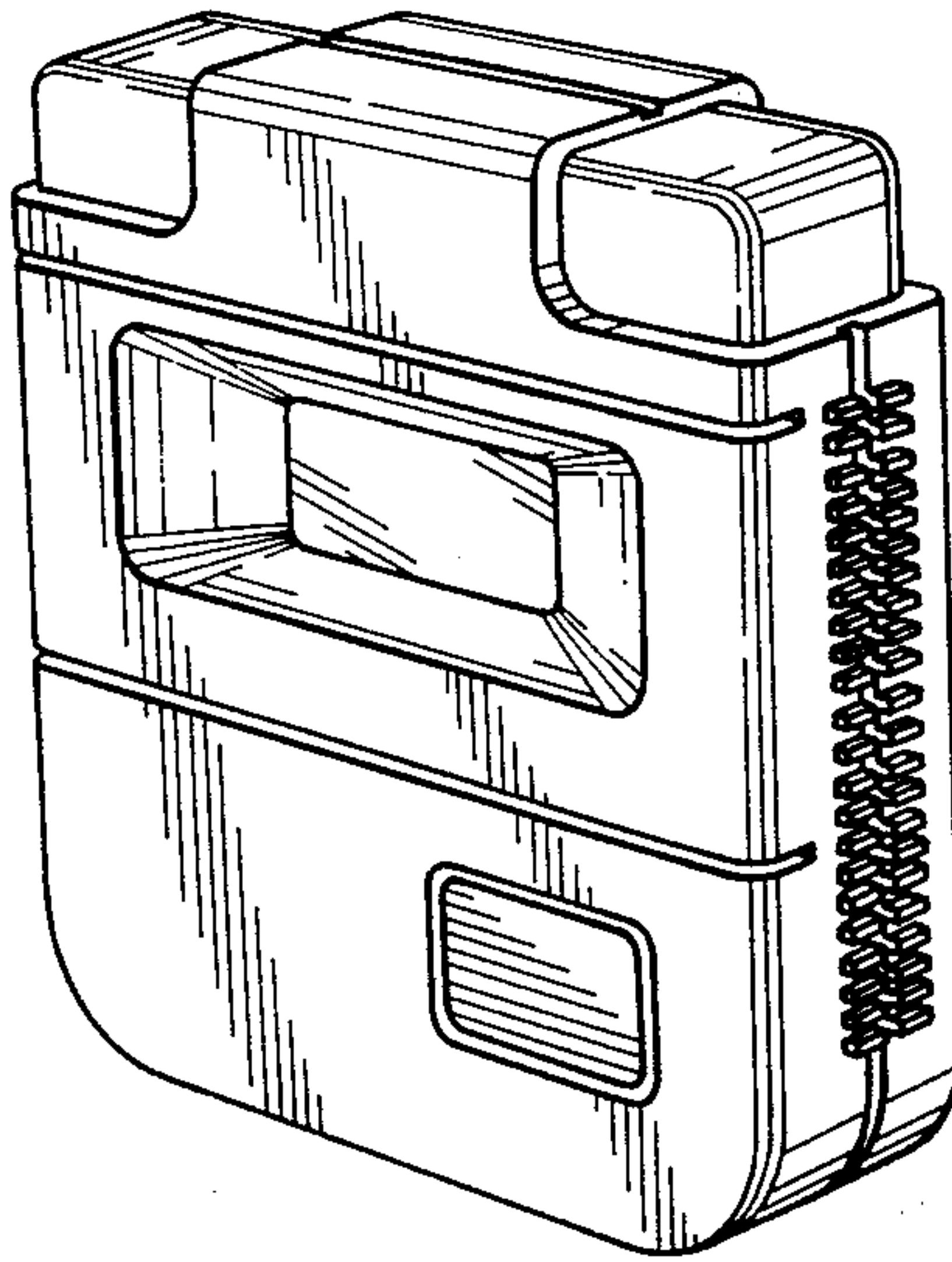
Primary Examiner—Louis S. Zarfes
Attorney, Agent, or Firm—Gregory Mancuso

[57] CLAIM

The ornamental design for a timer, substantially as shown.

DESCRIPTION

- FIG. 1 is a perspective view of a timer showing our new design;
- FIG. 2 is a front elevational view thereof;
- FIG. 3 is a rear elevational view thereof;
- FIG. 4 is a side elevational view thereof;
- FIG. 5 is a top plan view thereof;
- FIG. 6 is a bottom plan view thereof.



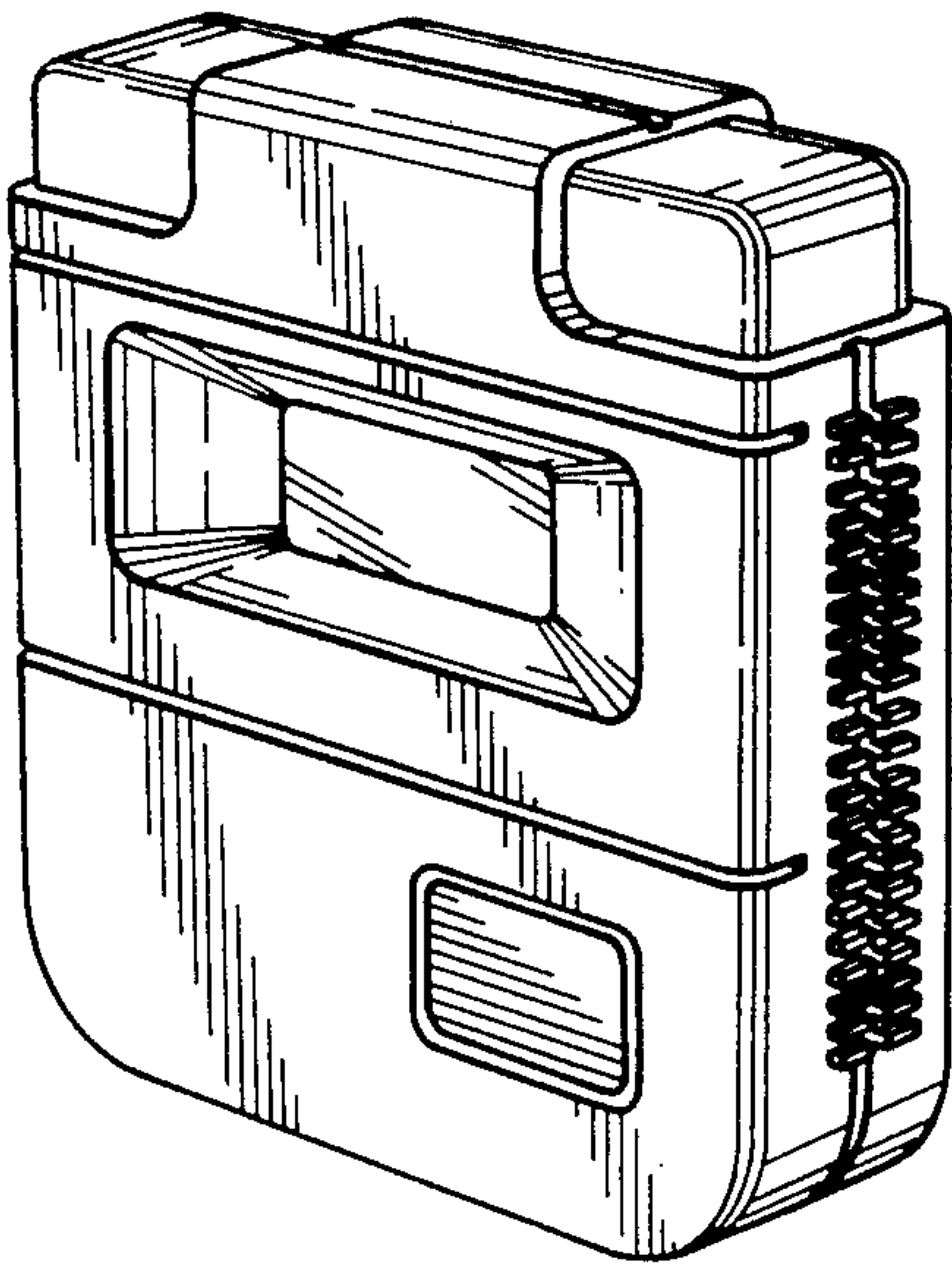


FIG. 1

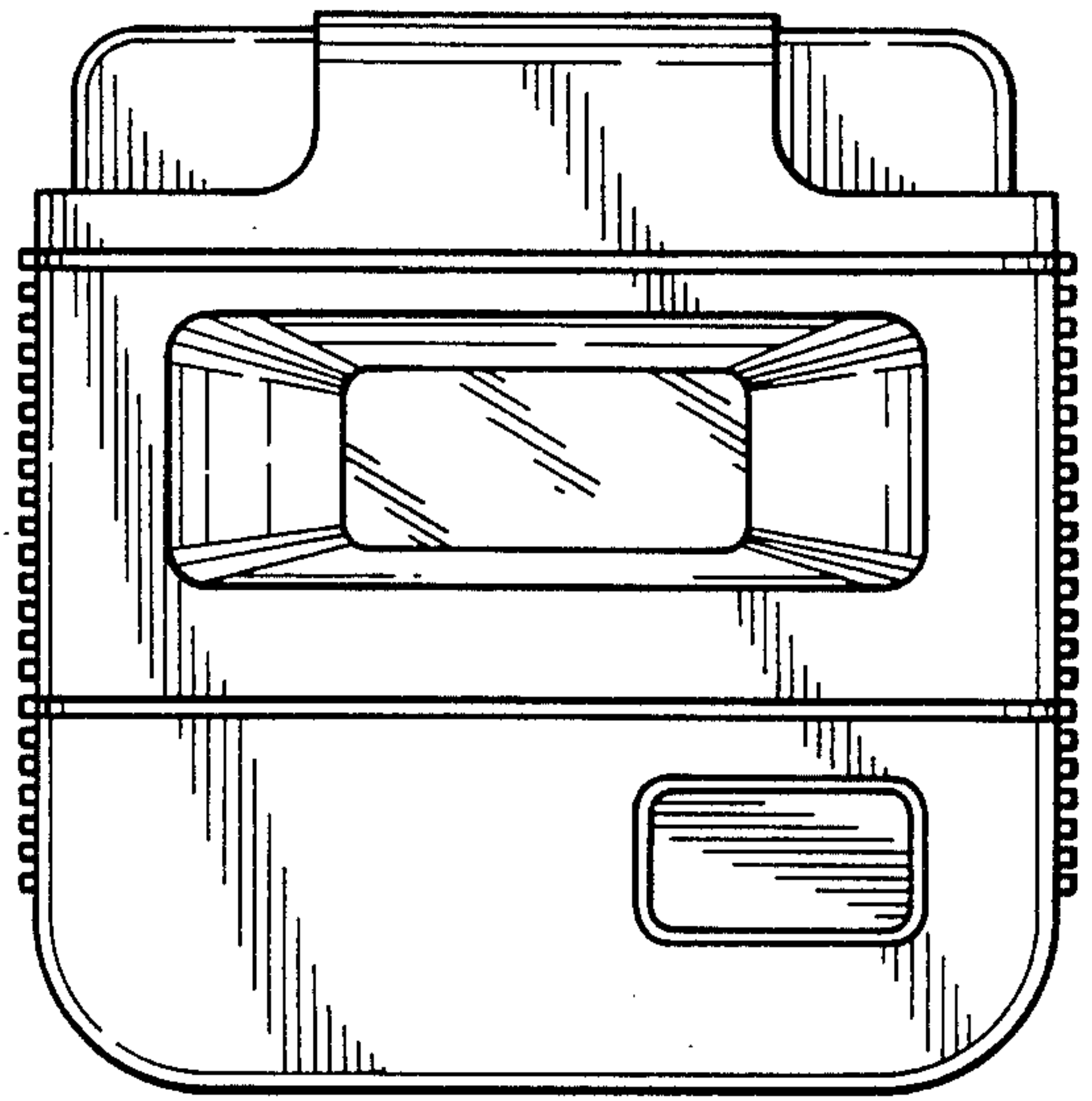


FIG. 2

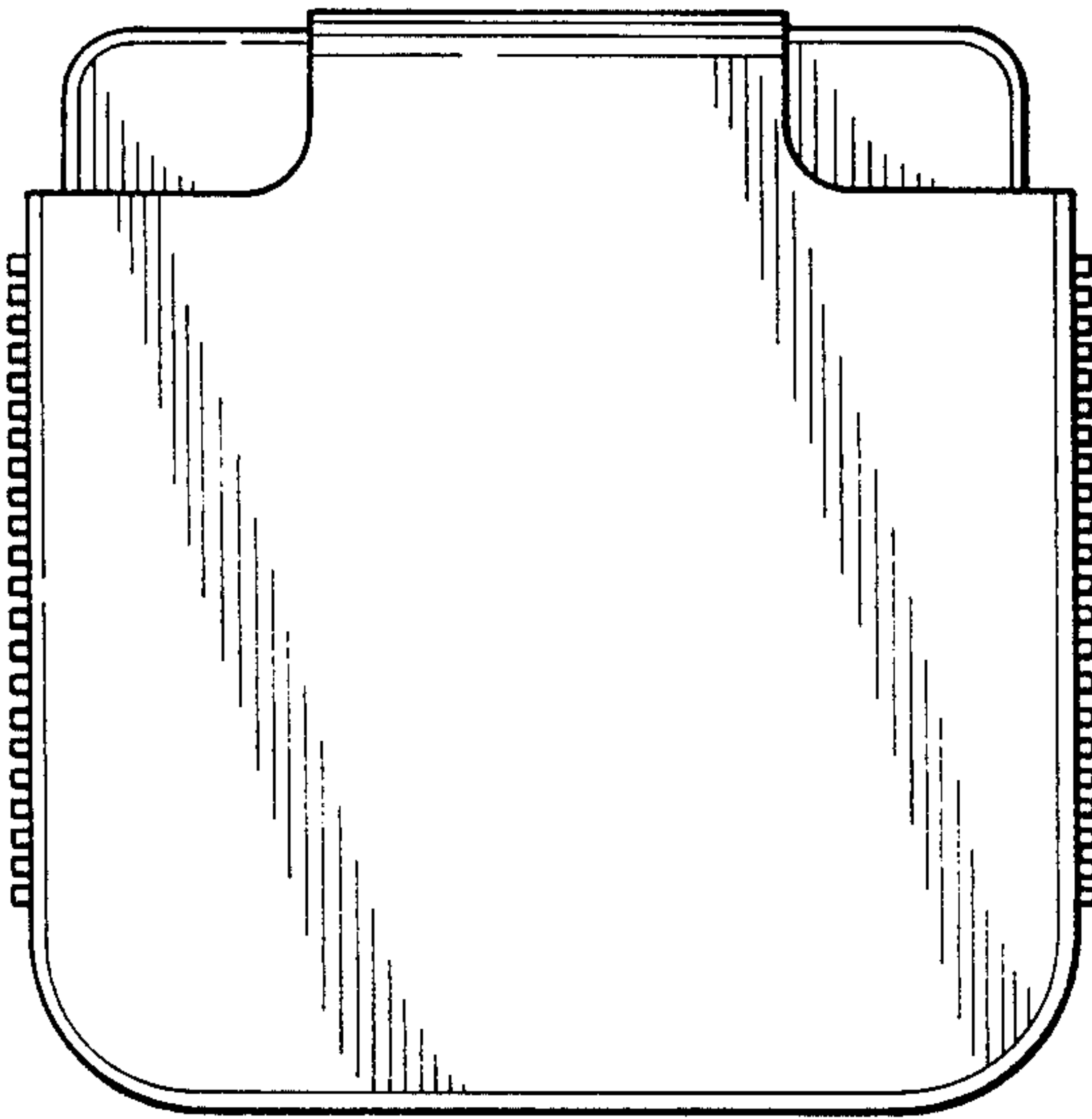


FIG. 3

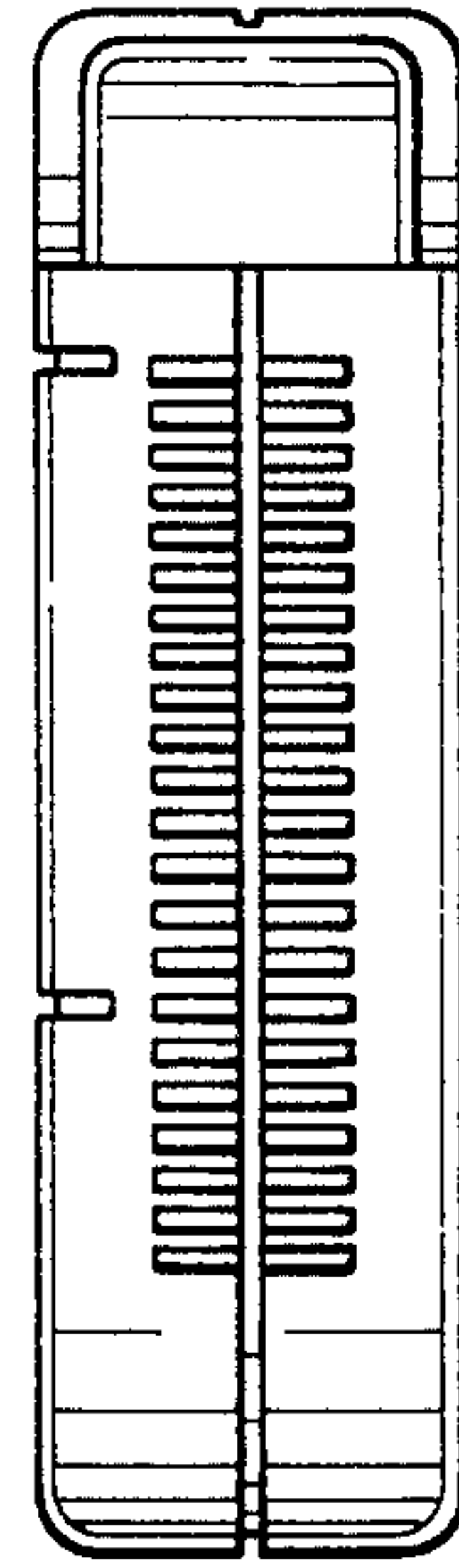


FIG. 4

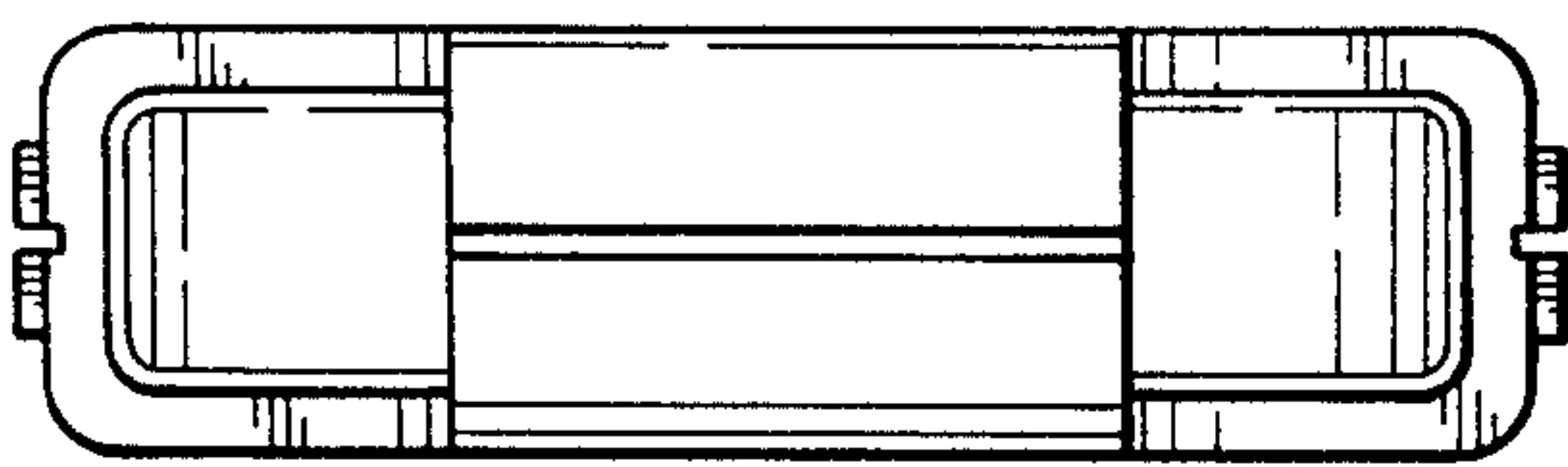


FIG. 5



FIG. 6