

[54] **WALL ANCHOR**
[75] **Inventor: Anders Lindell, Jönåker, Sweden**
[73] **Assignee: Telefonaktiebolaget LM Ericsson, Stockholm, Sweden**
[**] **Term: 14 Years**
[21] **Appl. No.: 516,307**
[22] **Filed: Jul. 22, 1983**

[30] **Foreign Application Priority Data**
Jan. 27, 1983 [SE] Sweden 83-0227
[52] **U.S. Cl. D8/385**
[58] **Field of Search D8/382, 385, 386;**
411/21, 24, 25, 26, 44, 57, 60, 61, 62, 63, 70, 71,
34, 38, 43

[56] **References Cited**
U.S. PATENT DOCUMENTS
D. 217,118 4/1970 Thake D8/385
D. 275,554 9/1984 Mizusawa D8/386
3,413,887 12/1968 Von Wolff et al. 411/60

4,147,444 4/1979 Herb et al. 411/60

FOREIGN PATENT DOCUMENTS

1936360 3/1970 Fed. Rep. of Germany 411/21
3017108 11/1981 Fed. Rep. of Germany 411/21
3022414 1/1982 Fed. Rep. of Germany 411/57

OTHER PUBLICATIONS

Hi-Red Screw Anchor Brochure; 3/17/69; p. 3; "Hi-Drive" Nail Anchor.

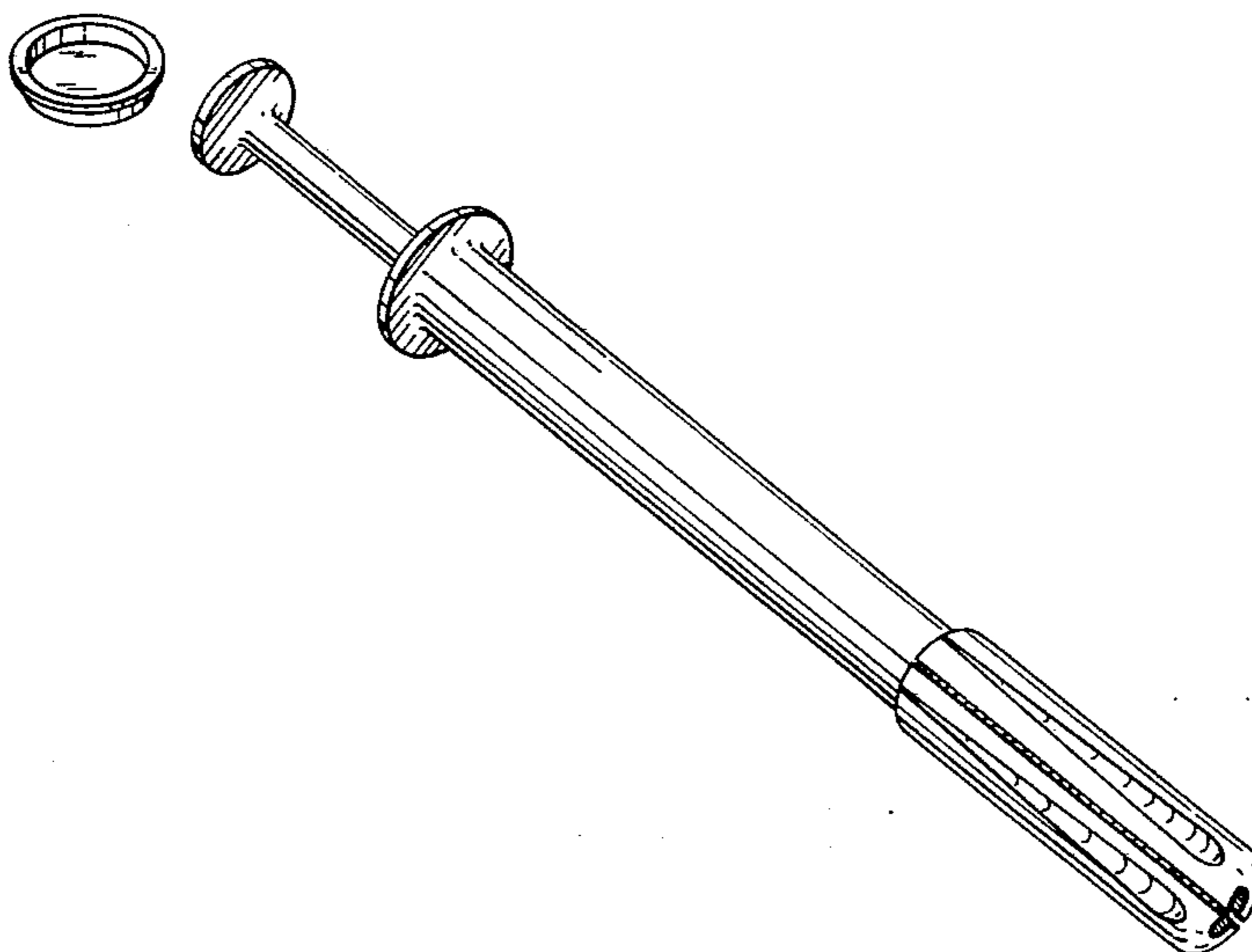
Primary Examiner—B. J. Bullock
Attorney, Agent, or Firm—Roberts, Spicens & Cohen

[57] **CLAIM**

The ornamental design for a wall anchor, as shown and described.

DESCRIPTION

FIG. 1 is an exploded perspective view of a wall anchor showing my new design; and
FIG. 2 is a perspective view with the cap in place as viewed from the end opposite that shown in FIG. 1.
The head of the fastener is unornamented.



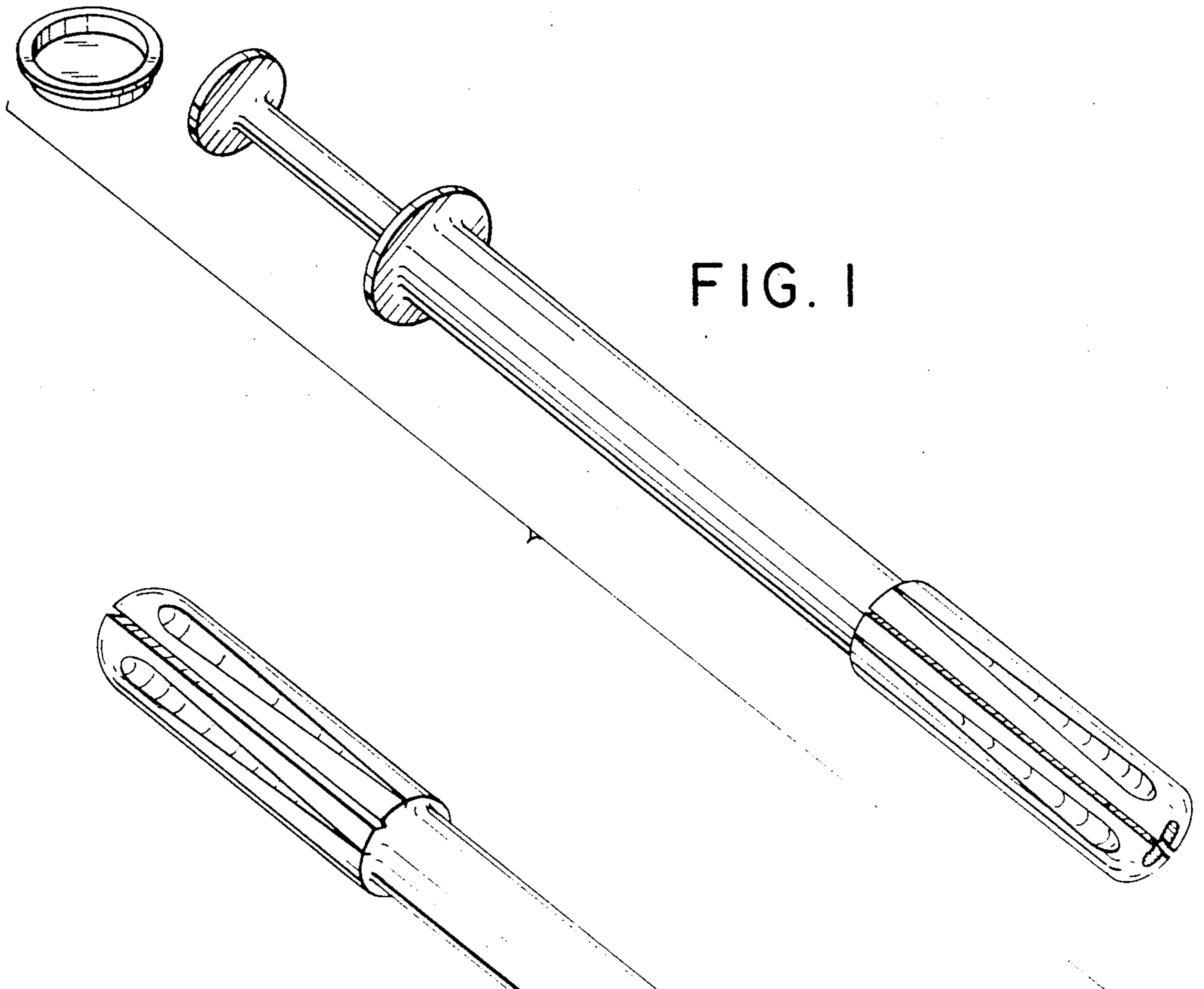


FIG. 1

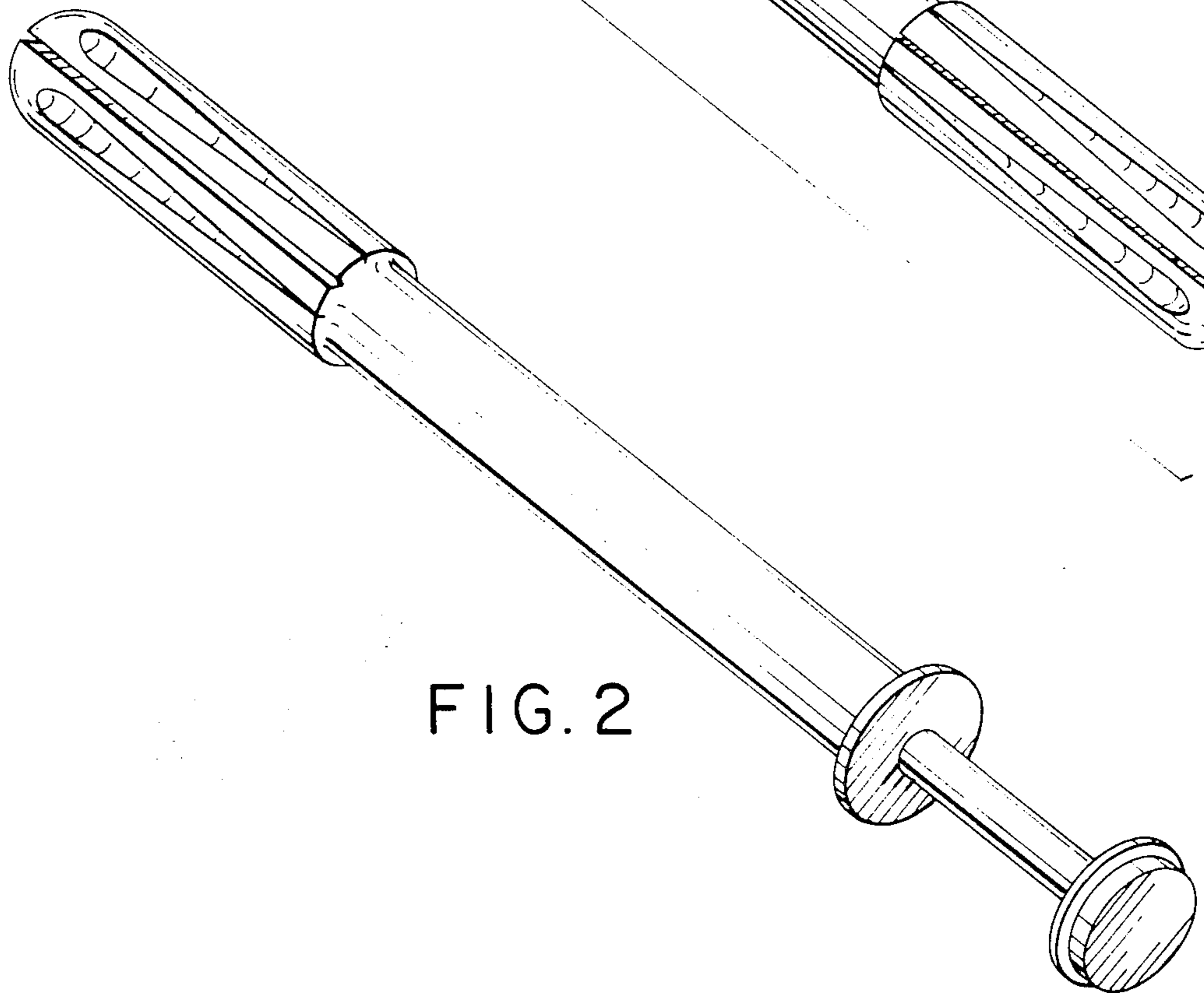


FIG. 2