

[54] TACKER

[75] Inventor: Lars-Göran Rosenblad, Gränna, Sweden

[73] Assignee: Isaberg AB, Hestra, Sweden

[\*\*] Term: 14 Years

[21] Appl. No.: 469,892

[22] Filed: Feb. 25, 1983

[30] Foreign Application Priority Data

Dec. 30, 1982 [DE] Fed. Rep. of Germany ..... URA 1466/82

[52] U.S. Cl. .... D8/49

[58] Field of Search ..... D8/49, 50; 227/127, 227/128, 132; D24/26, 27, 23

[56] References Cited

U.S. PATENT DOCUMENTS

D. 151,692 11/1948 Heller ..... D8/49

D. 165,414	12/1951	Crosby et al. ....	D8/49
D. 184,265	1/1959	Ruskin .....	D8/49
2,309,628	2/1943	Crosby .....	227/128
2,456,526	12/1948	Morberg .....	227/132
2,936,456	5/1960	Ruskin .....	227/127 X

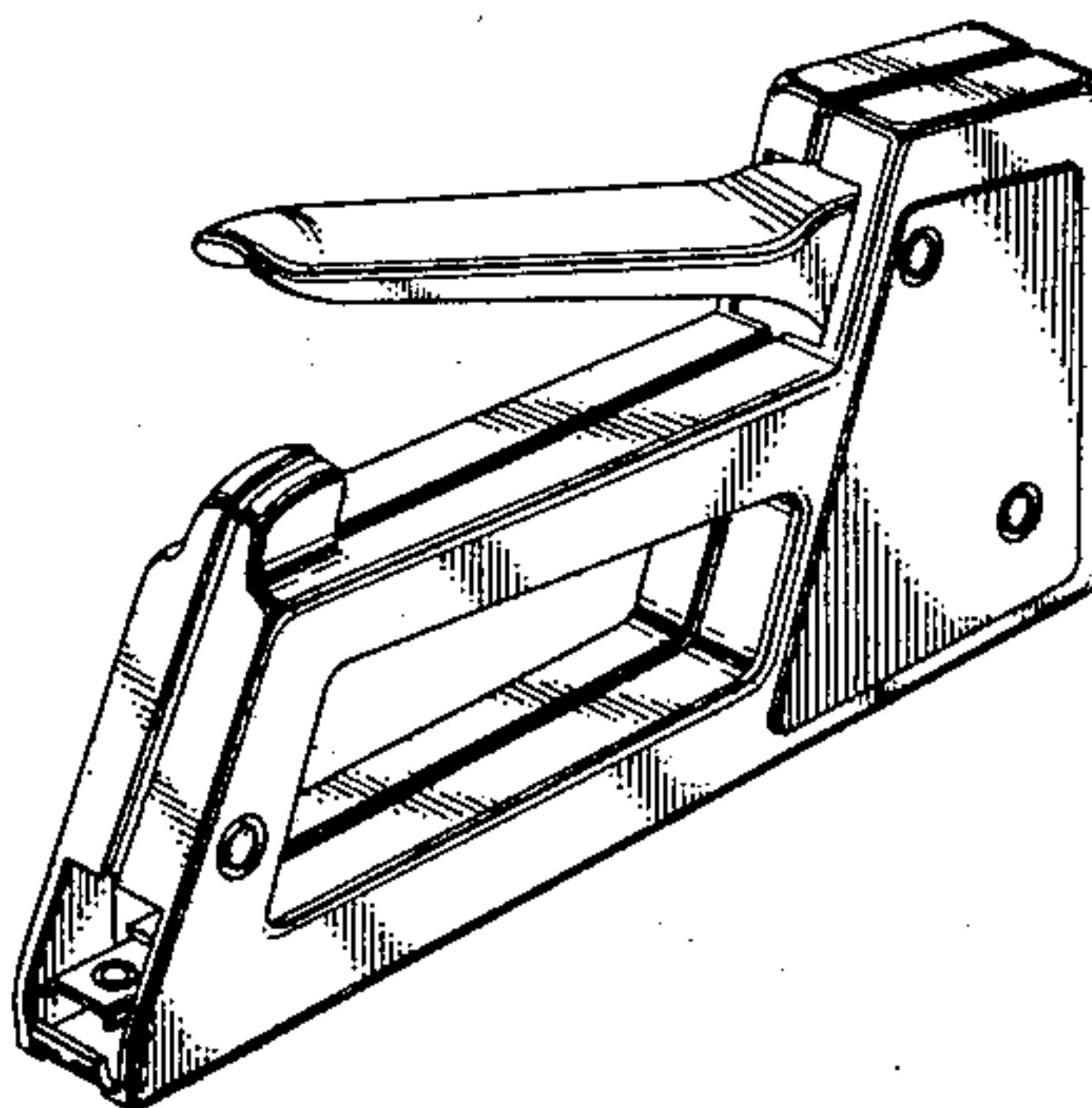
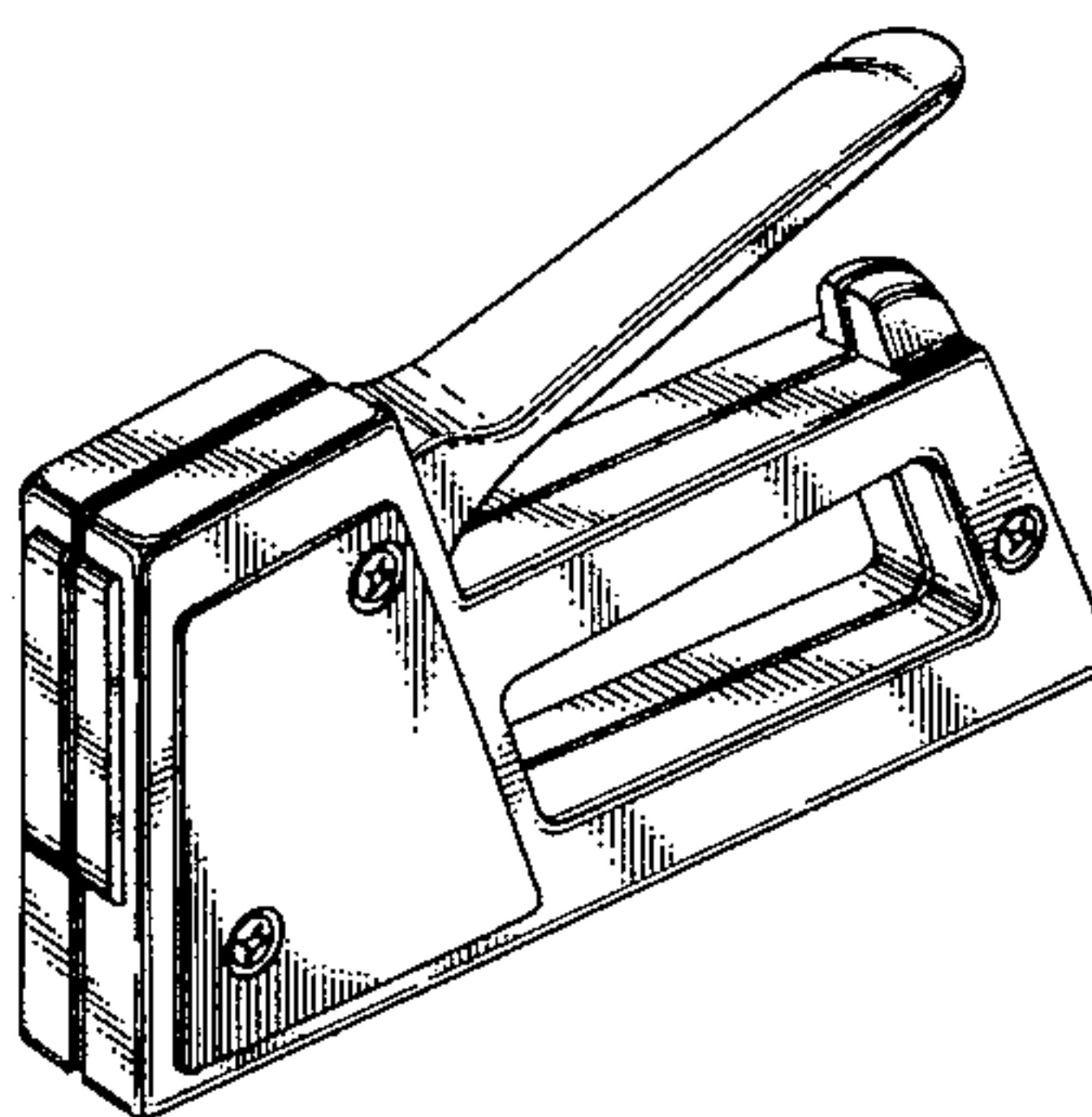
Primary Examiner—Bernard Ansher  
Assistant Examiner—Terry Pfeffer  
Attorney, Agent, or Firm—Shapiro and Shapiro

[57] CLAIM

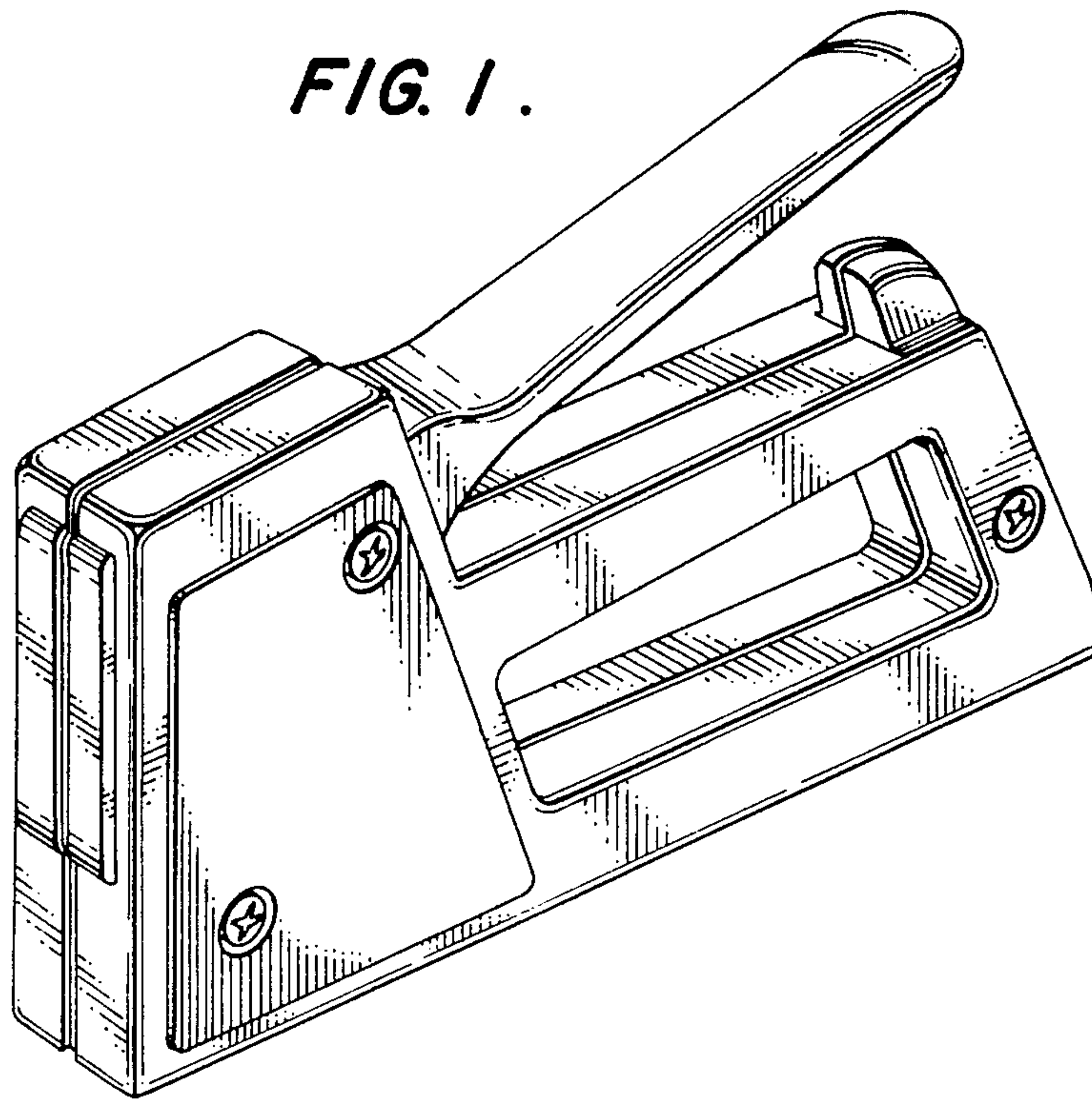
The ornamental design for a tacker, as shown.

DESCRIPTION

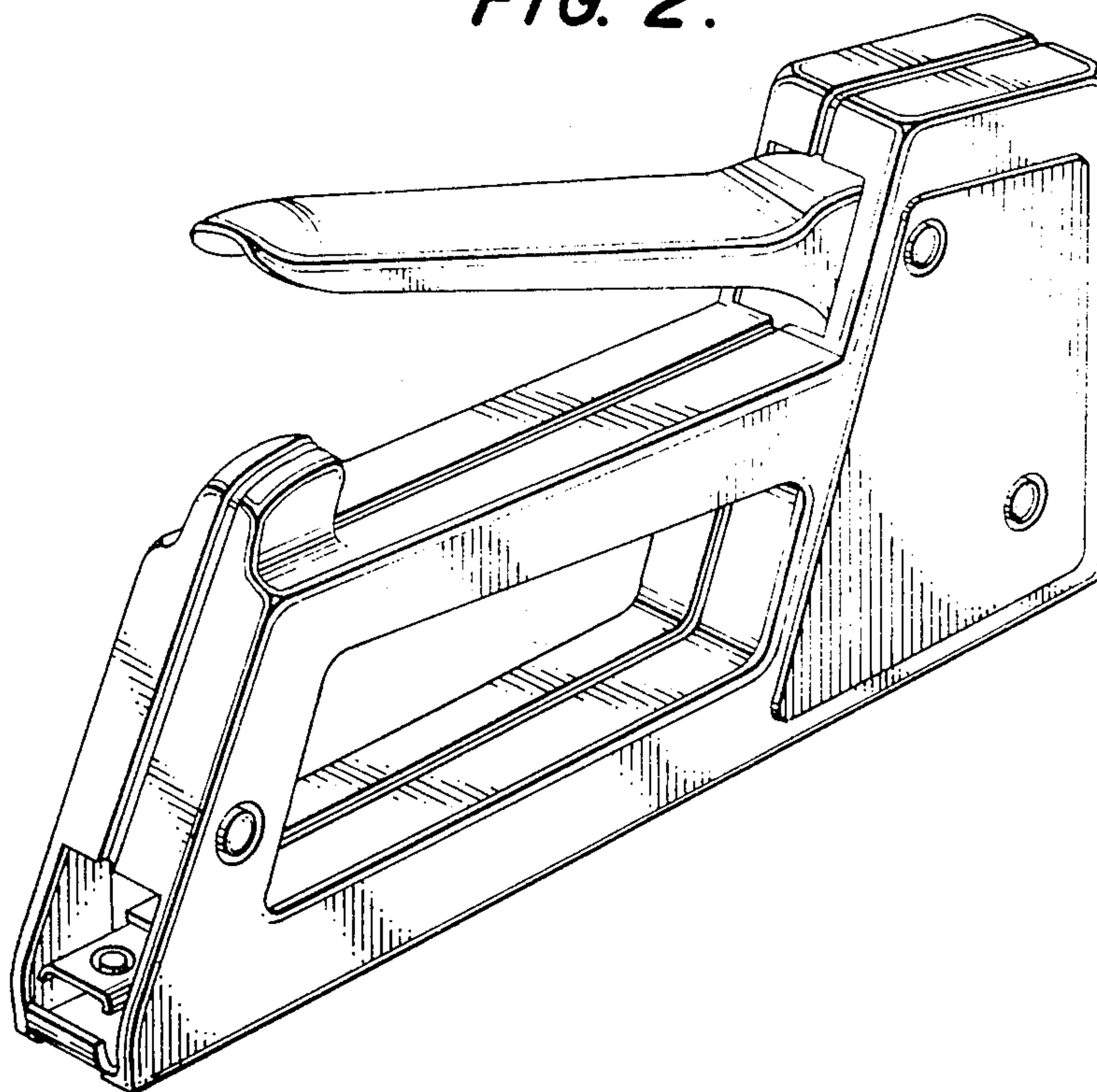
FIG. 1 is a top, front, right side perspective view of a tacker showing my new design;  
FIG. 2 is a top, rear, left side perspective view thereof;  
FIG. 3 is a right side elevational view thereof;  
FIG. 4 is a top plan view thereof;  
FIG. 5 is a bottom plan view thereof;  
FIG. 6 is a front elevational view thereof;  
FIG. 7 is a rear elevational view thereof; and  
FIG. 8 is a left side elevational view thereof.



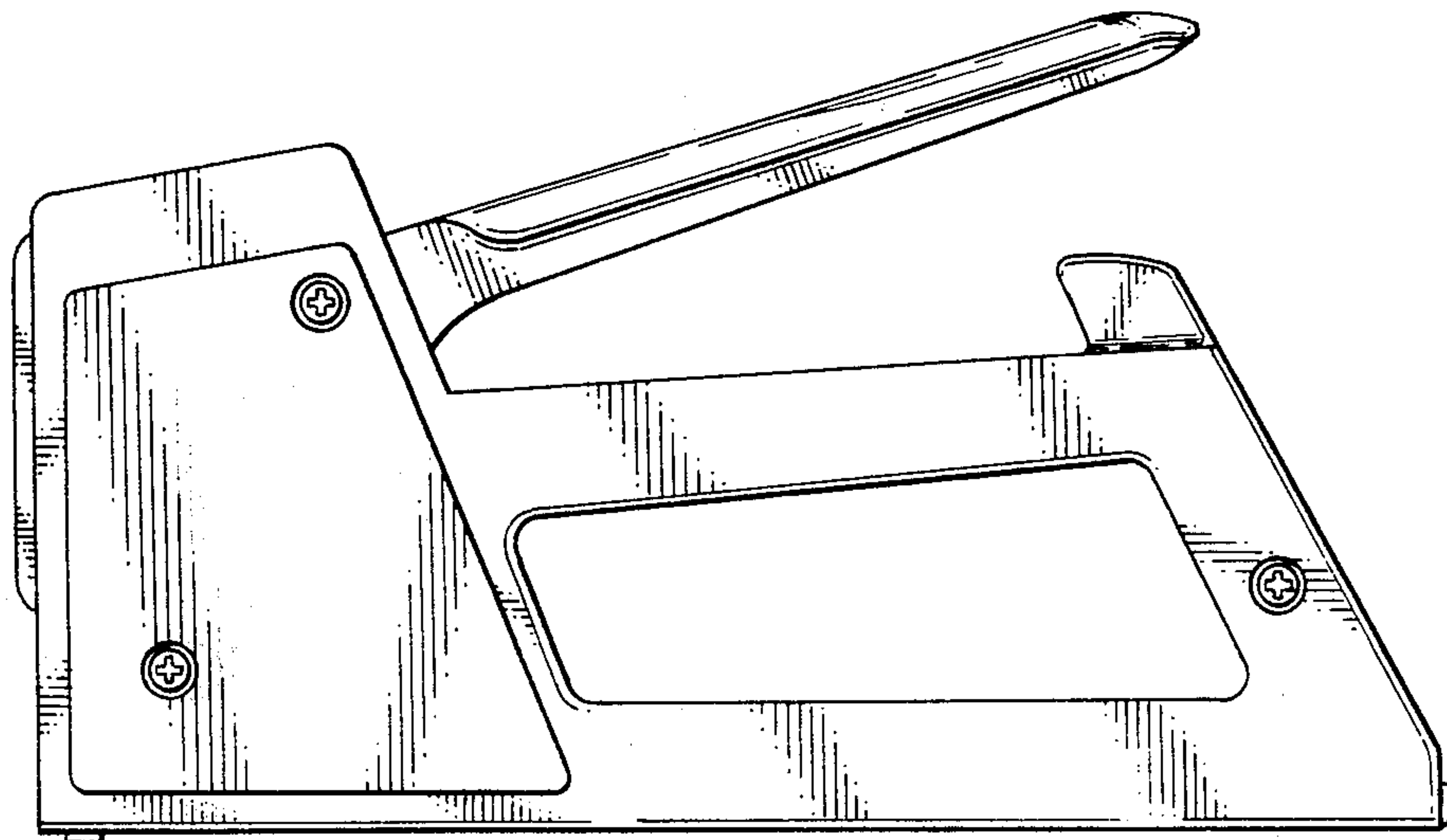
*FIG. 1.*



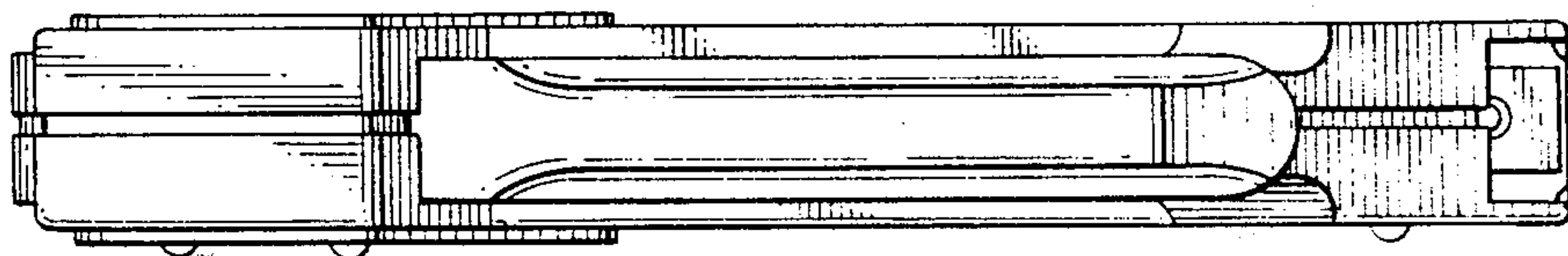
*FIG. 2.*



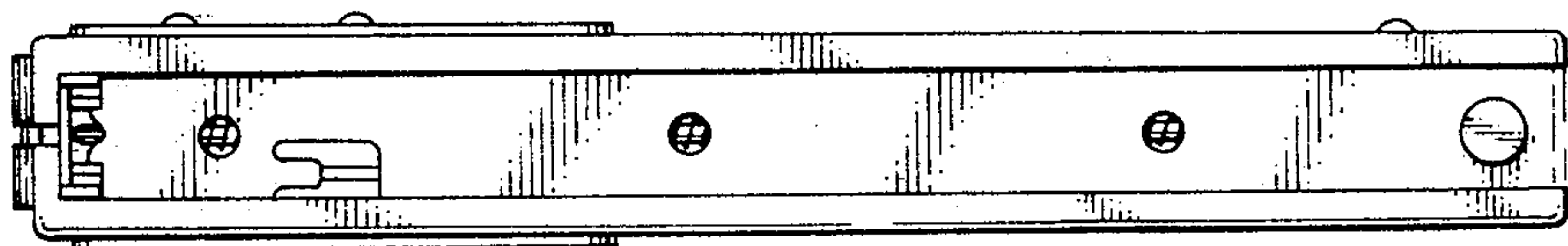
**FIG. 3.**



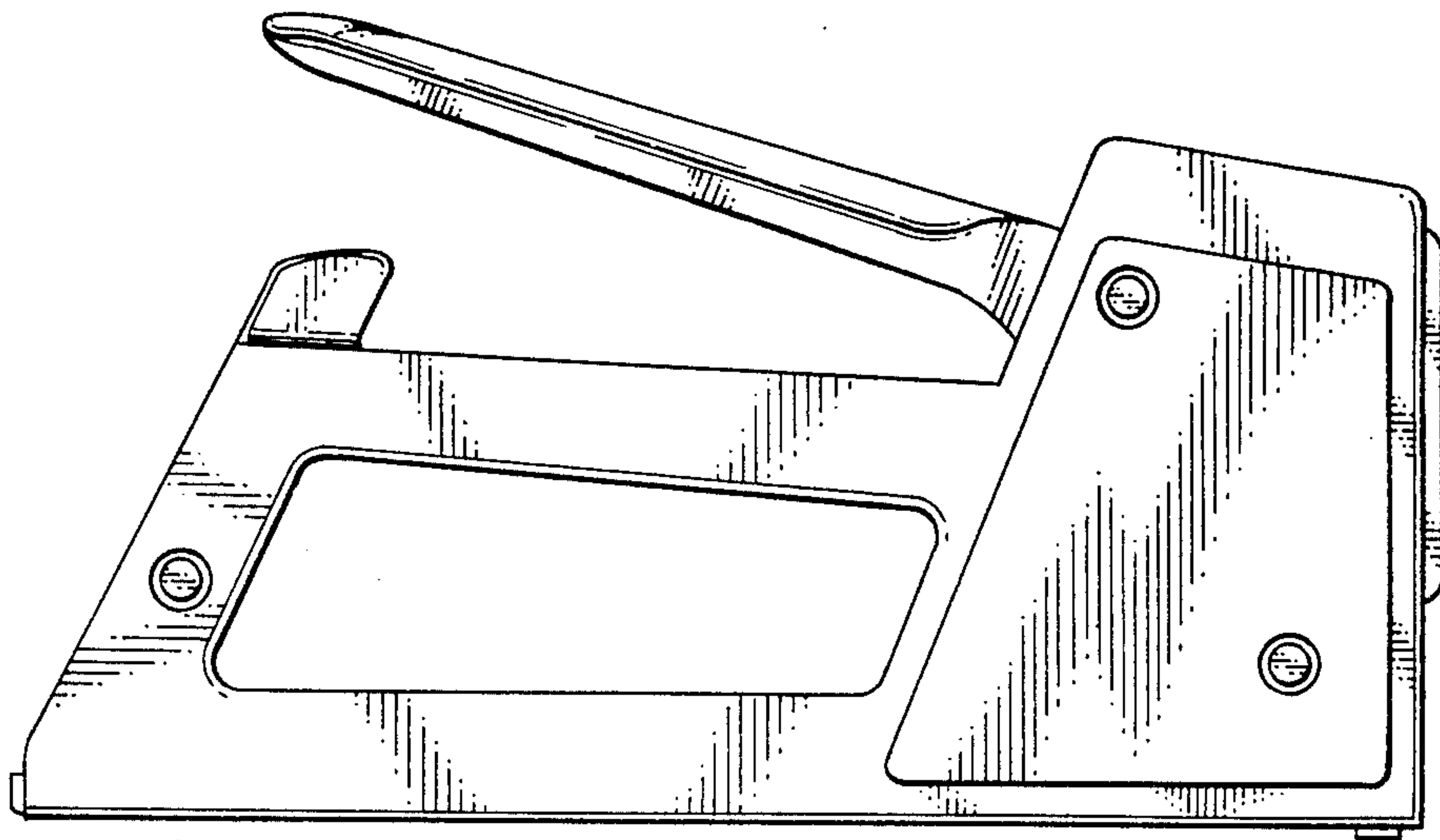
**FIG. 4.**



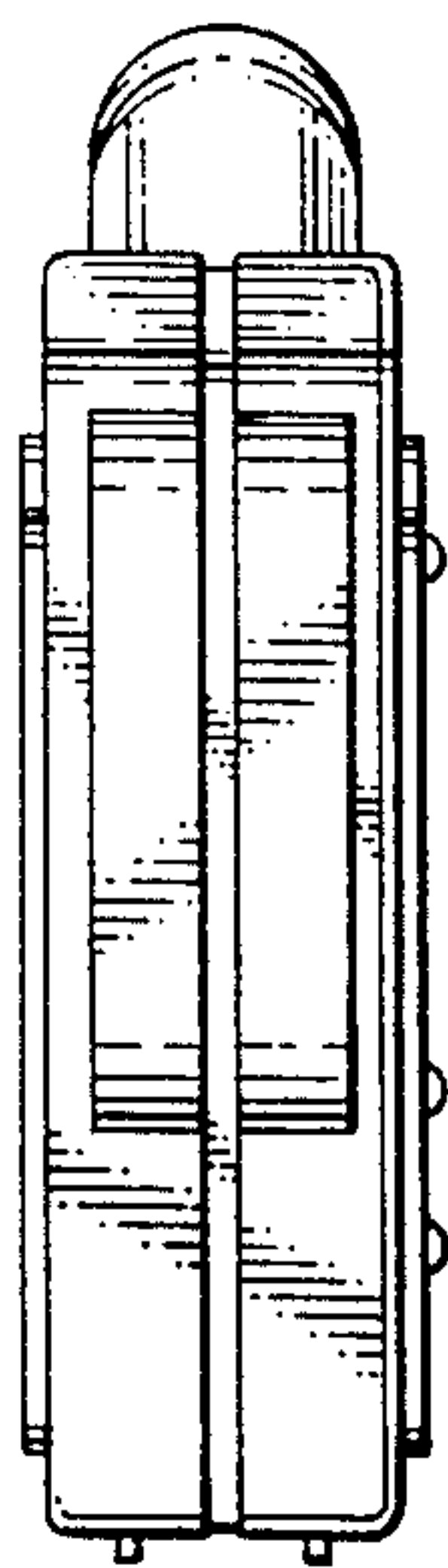
**FIG. 5**



*FIG. 8.*



*FIG. 6.*



*FIG. 7.*

