

[54] **HANDLE FOR COOKING UTENSILS**

[56] **References Cited**

[75] **Inventor: Rolf Baumgarten,**
Neunkirchen-Wiederstein, Fed. Rep.
of Germany

[73] **Assignees: Heinrich Baumgarten KG Eisen;**
Blechwarenfabrik, both of
Neunkirchen, Fed. Rep. of Germany

[**] **Term: 14 Years**

[21] **Appl. No.: 543,944**

[22] **Filed: Oct. 20, 1983**

[30] **Foreign Application Priority Data**

Apr. 25, 1983 [DE] Fed. Rep. of Germany MR 367
Jun. 20, 1983 [DE] Fed. Rep. of Germany MR 371

[52] **U.S. Cl. D7/393**

[58] **Field of Search D7/393, 360, 345;**
D6/491; D8/310, 307, 315, 319; 16/110 A, 114
A, 121, DIG. 30, 124, 116 R, 114 R

U.S. PATENT DOCUMENTS

D. 35,650	2/1902	Keiner	D8/319
D. 179,213	11/1956	Painter	D7/360
D. 179,497	1/1957	Scott	D8/310
D. 207,237	3/1967	Ressler	D7/395
D. 212,379	10/1968	Dudas et al.	D7/393
D. 227,292	6/1973	Yamamoto	D7/360
D. 261,349	10/1981	Ryser	D8/310 X
1,217,287	2/1917	Dillinger	16/116 R
2,096,655	10/1937	Steel	16/114 R
3,252,404	5/1966	Cox	16/121
3,785,274	1/1974	Yamamoto	D7/360 X

Primary Examiner—Bernard Ansher
Assistant Examiner—Linda Titolo
Attorney, Agent, or Firm—Flynn, Thiel, Boutell & Tanis

[57] **CLAIM**

The ornamental design for a handle for cooking utensils, as shown and described.

DESCRIPTION

FIG. 1 is a top perspective view of a handle for cooking utensils, showing my new design;
FIG. 2 is a top plan view thereof;
FIG. 3 is a bottom plan view thereof; and
FIG. 4 is a side elevational view thereof;

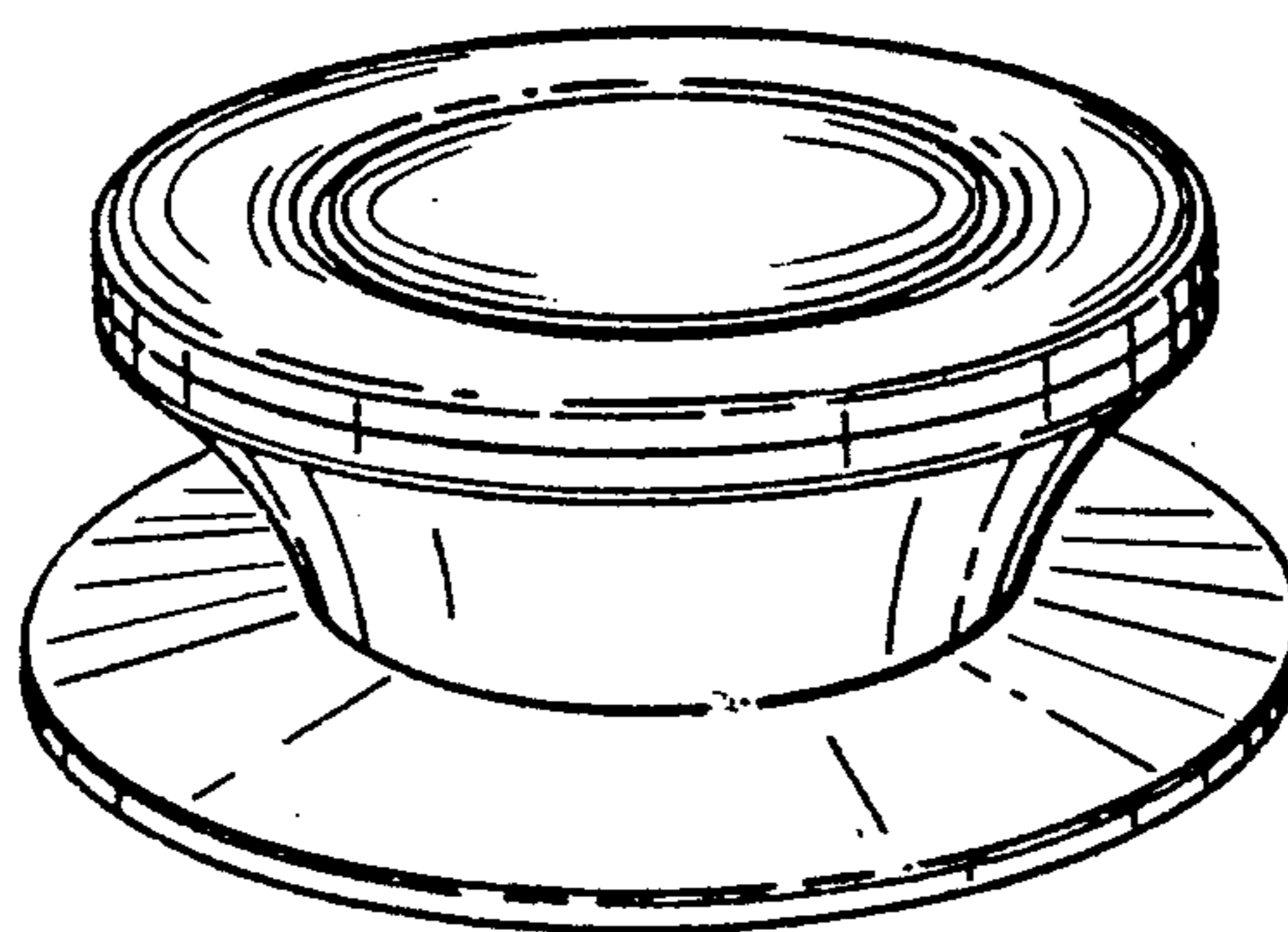


FIG. 1

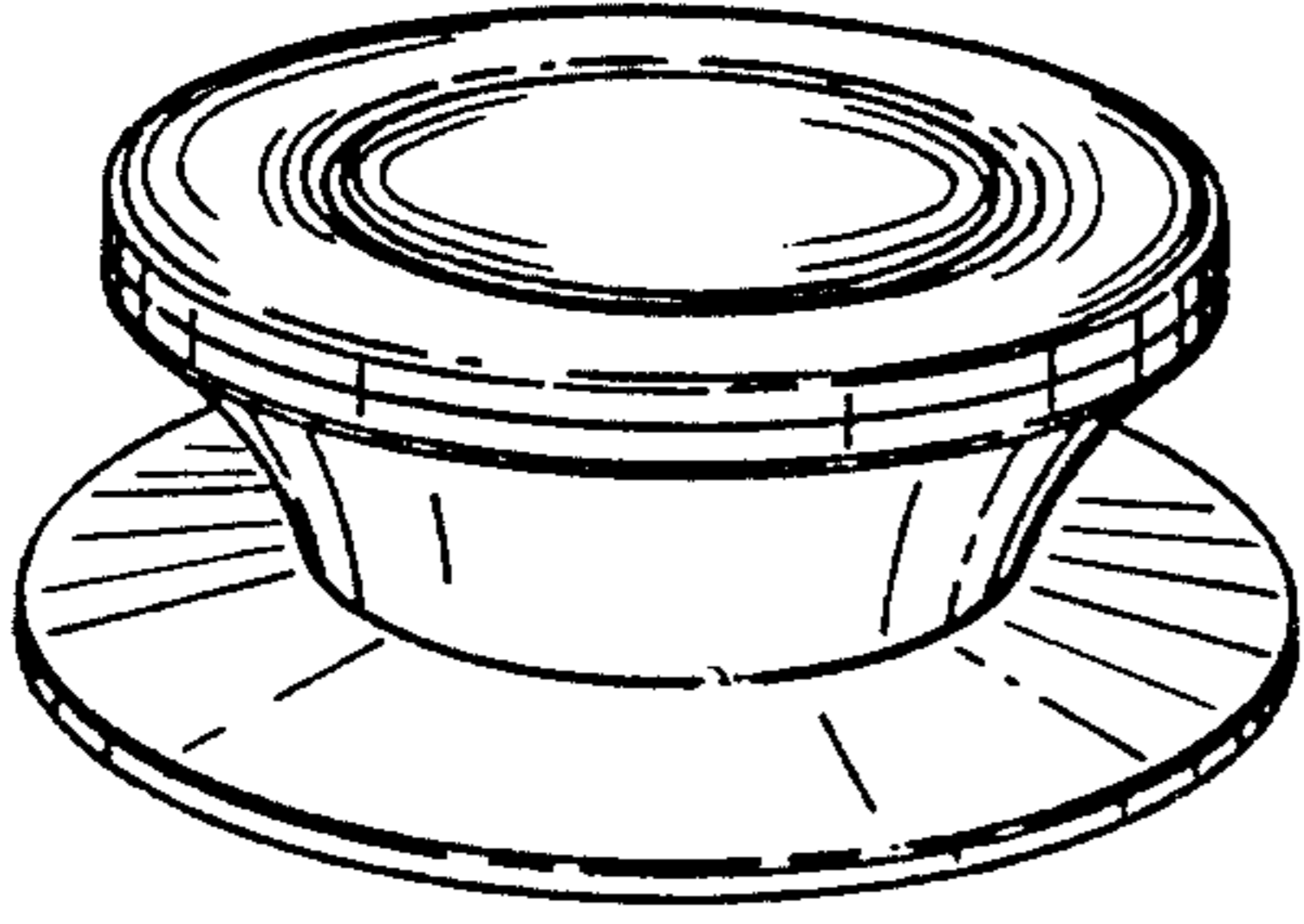


FIG. 2

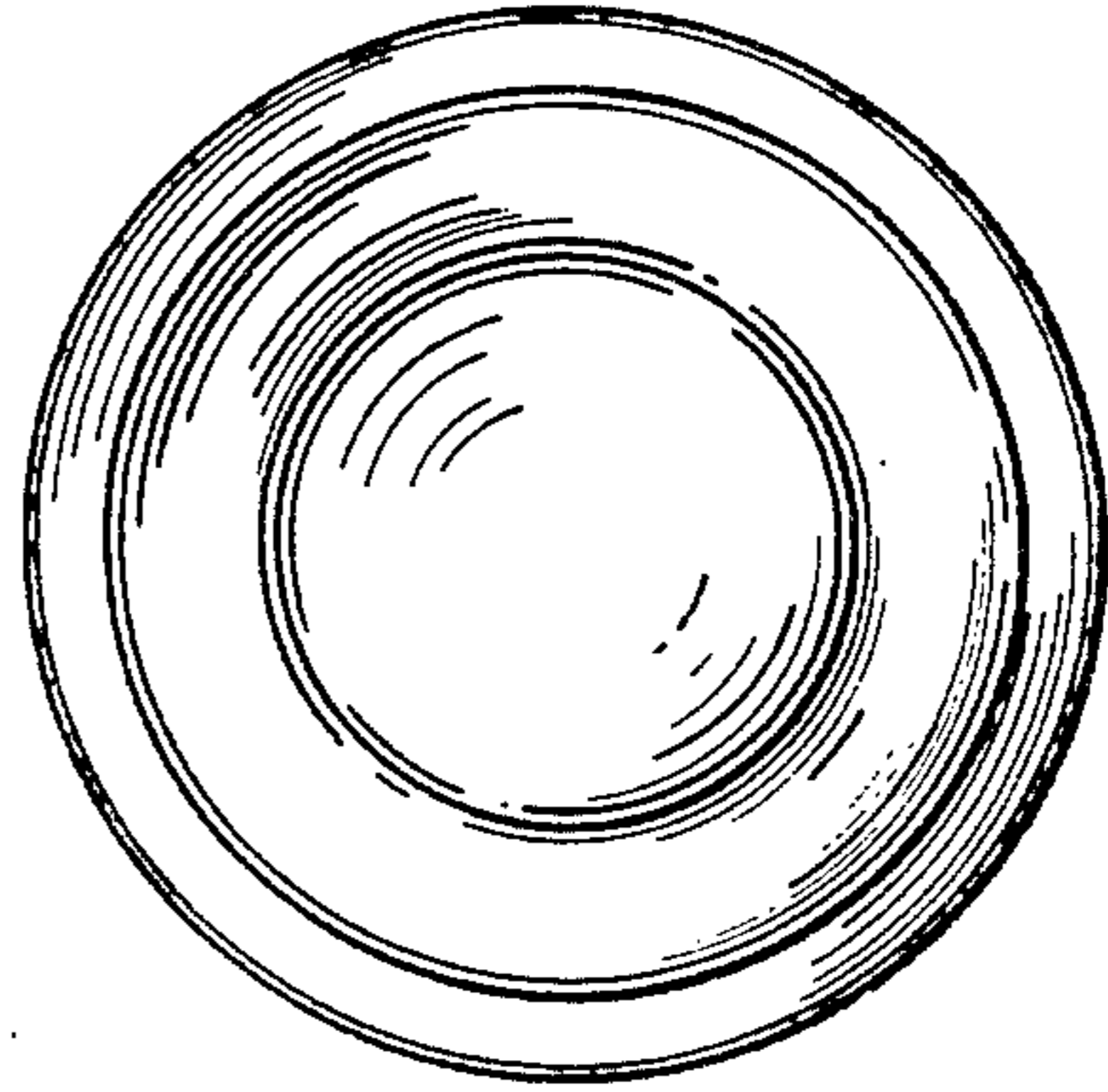


FIG. 3

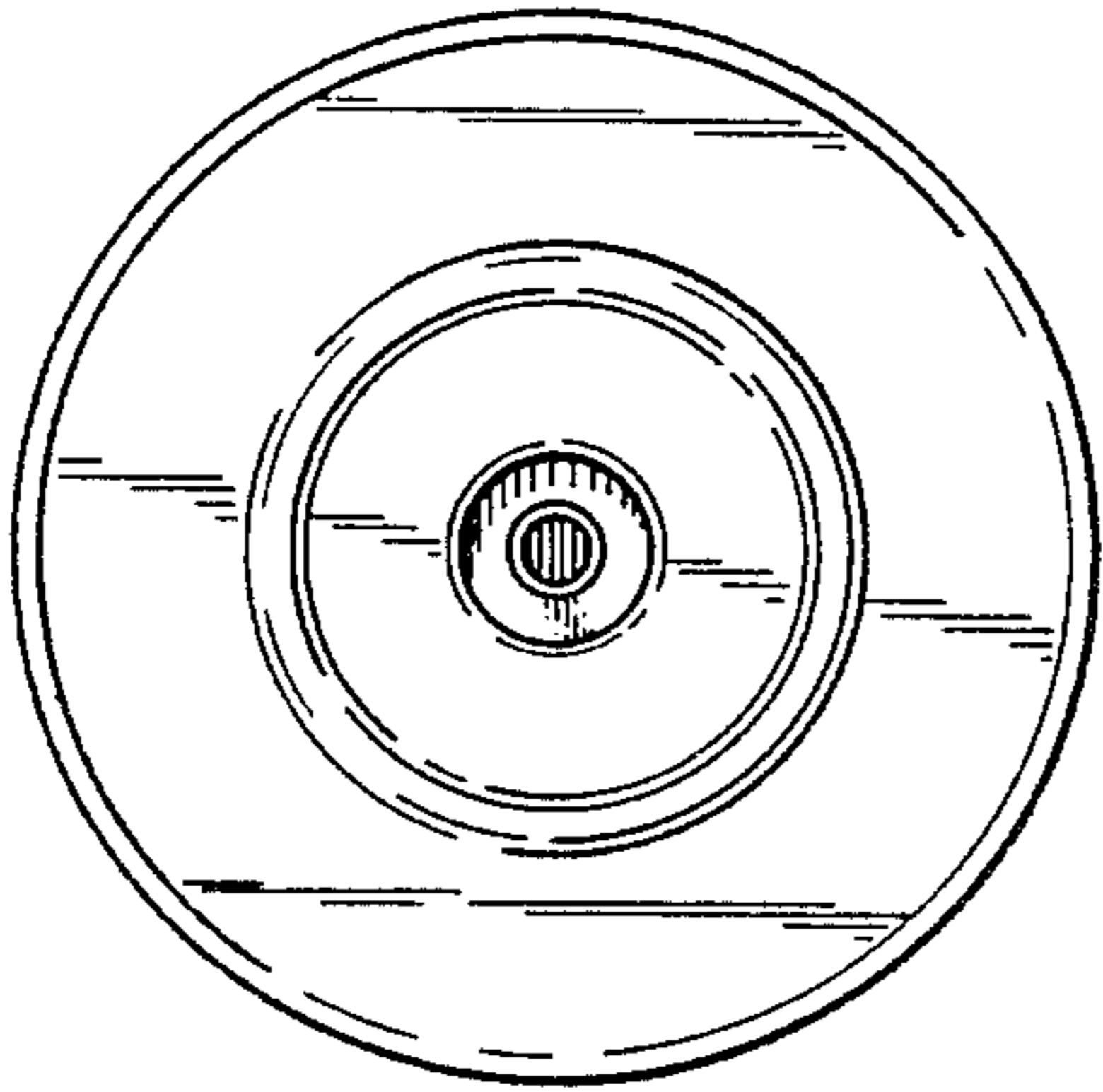


FIG. 4

