

[54] **COVERED CHEESE SERVING TRAY OR THE LIKE**

[75] Inventors: **Mark P. Zieff, Lexington; Rino Conti, Stoughton, both of Mass.**

[73] Assignee: **Dart Industries Inc., Northbrook, Ill.**

[\*\*] Term: **14 Years**

[21] Appl. No.: **501,330**

[22] Filed: **Jun. 6, 1983**

[52] U.S. Cl. .... **D7/16; D7/18; D7/84**

[58] Field of Search ..... **D7/84, 83, 82, 76, 79, D7/16, 18, 38; D9/425, 432**

[56] **References Cited**

**U.S. PATENT DOCUMENTS**

D. 78,692	6/1929	Highsmith	.....	D7/84
D. 99,516	5/1936	Lowenfels	.....	D7/84
D. 100,570	7/1936	Lowenfels	.....	D7/84
D. 190,186	4/1961	Schmur	.....	D7/84
D. 204,614	5/1966	Swett	.....	D7/84
D. 207,496	4/1967	Swett	.....	D7/83
D. 215,958	11/1969	Daenen	.....	D7/84
D. 216,214	12/1969	Daenen	.....	D7/84
D. 219,050	10/1970	Beckman	.....	D7/21
D. 220,942	6/1971	Bridges et al.	.....	D7/37
D. 226,817	5/1973	Madalin	.....	D7/38
D. 228,221	8/1973	Swett	.....	D7/40
D. 249,930	10/1978	Seager	.....	D7/16 X

D. 261,214	10/1981	Oelzner	.....	D7/84
2,080,283	5/1937	Lowenfels	.....	D7/84 X
2,975,889	3/1961	Brown	.....	D7/84 X
3,130,288	4/1964	Monaco et al.	.....	219/43
3,307,603	3/1967	Swett	.....	D7/83 X
3,426,935	2/1969	Swett	.....	D7/84 X
3,709,397	1/1973	Daenen	.....	220/42 A
3,863,833	2/1975	Swett et al.	.....	D7/76 X
4,304,106	12/1981	Donnelly	.....	62/457

**OTHER PUBLICATIONS**

*Better Homes & Gardens*, Apr., 1980, p. 131, Pyrex® Brand Margarine Dishes from Kraft, stick dish/cover shown at right.

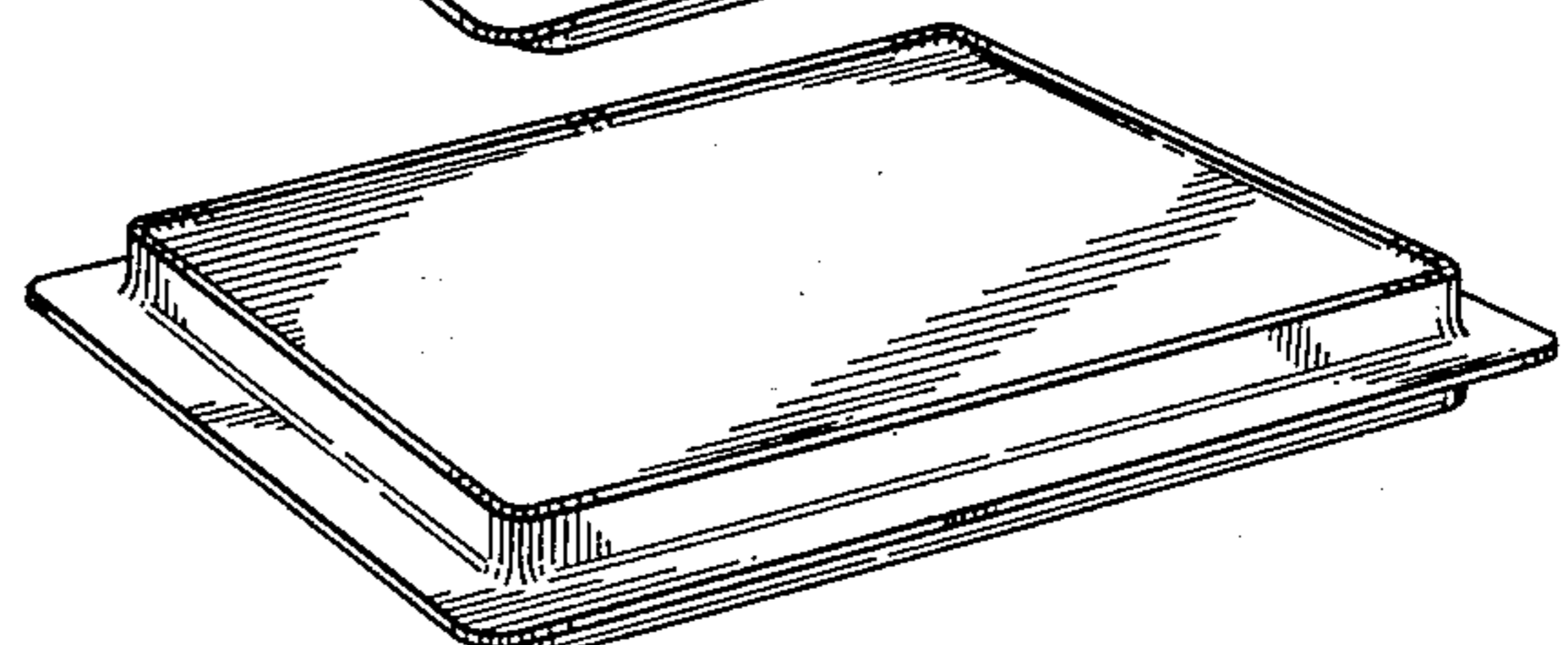
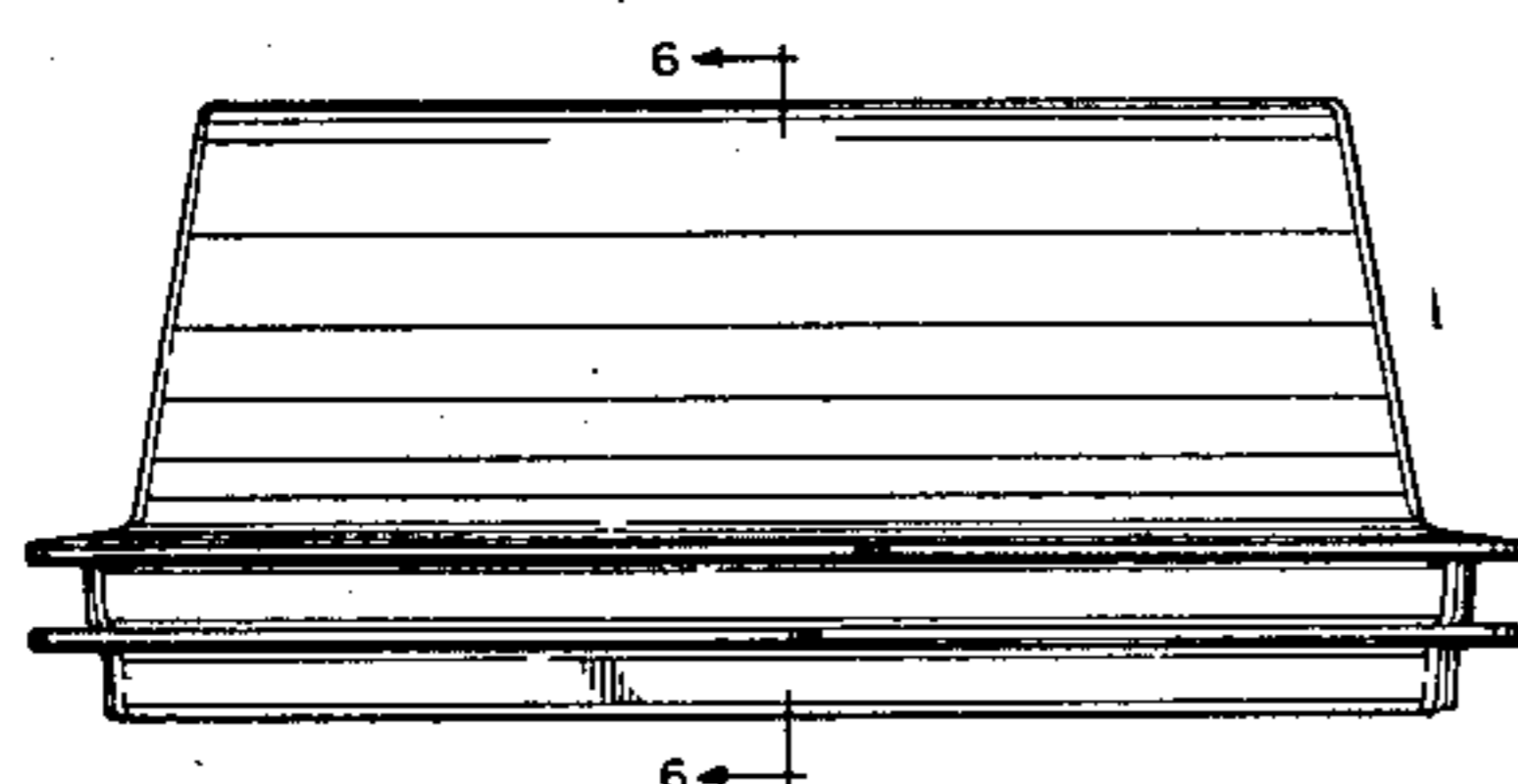
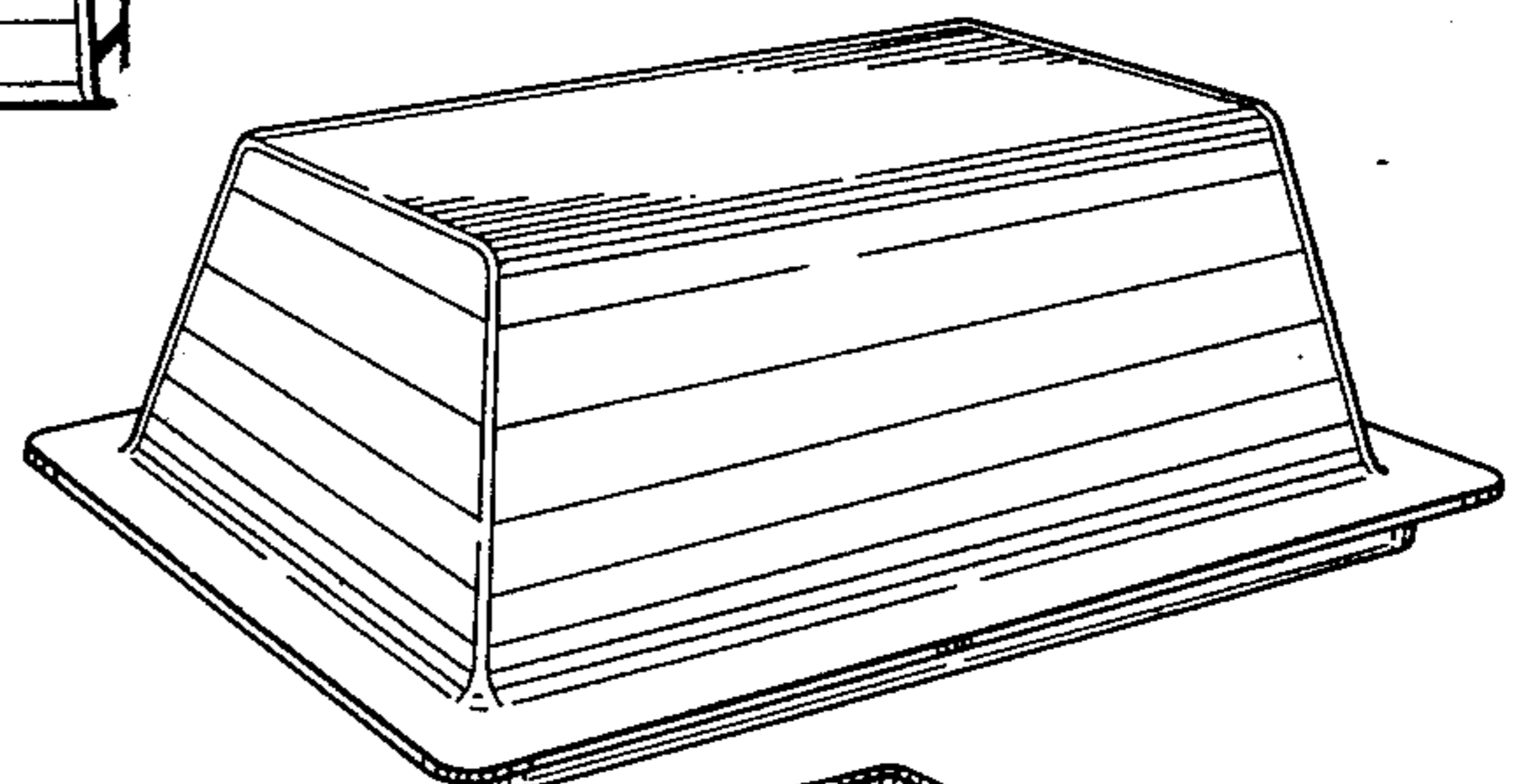
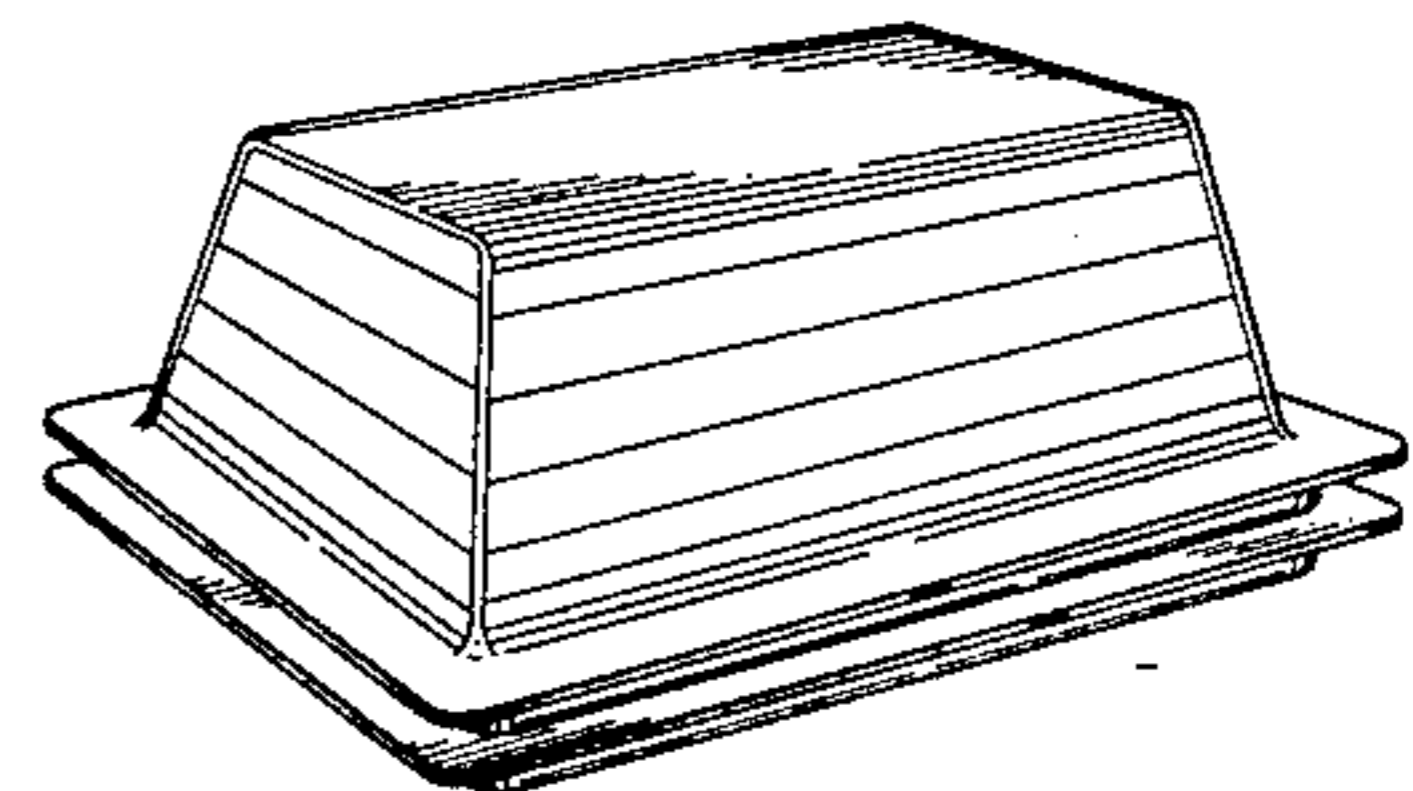
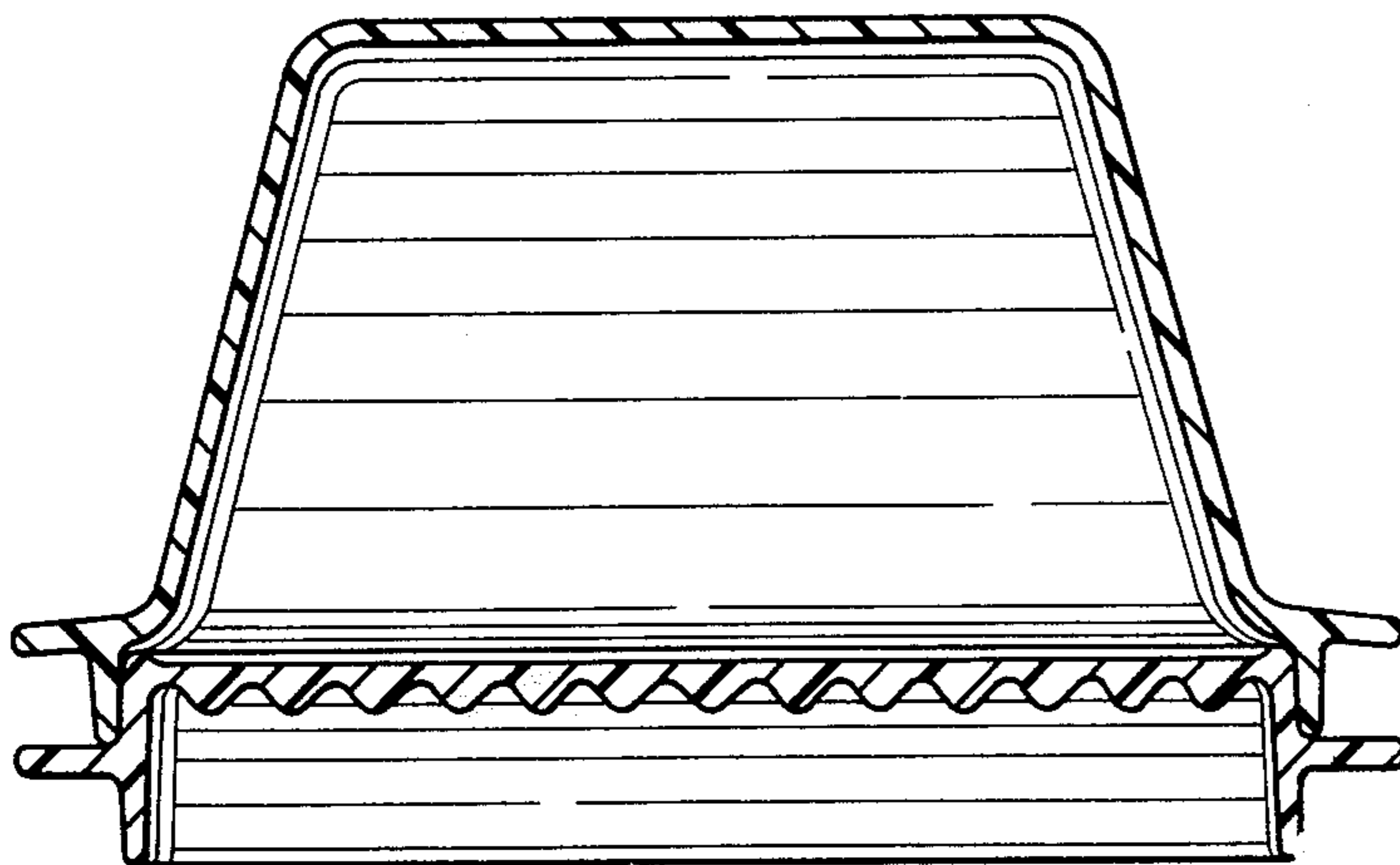
*Primary Examiner*—Winifred E. Herrmann  
*Attorney, Agent, or Firm*—John A. Doninger

[57] **CLAIM**

The ornamental design for a covered cheese serving tray or the like, substantially as shown.

**DESCRIPTION**

FIG. 1 is a top perspective view of the covered cheese serving tray or the like showing our new design; FIG. 2 is a top plan view thereof; FIG. 3 is a side elevation thereof; FIG. 4 is an end elevation thereof; FIG. 5 is a bottom plan view thereof; FIG. 6 is a cross-sectional view taken along line 6—6 of FIG. 3; and FIG. 7 is an exploded top perspective view thereof.



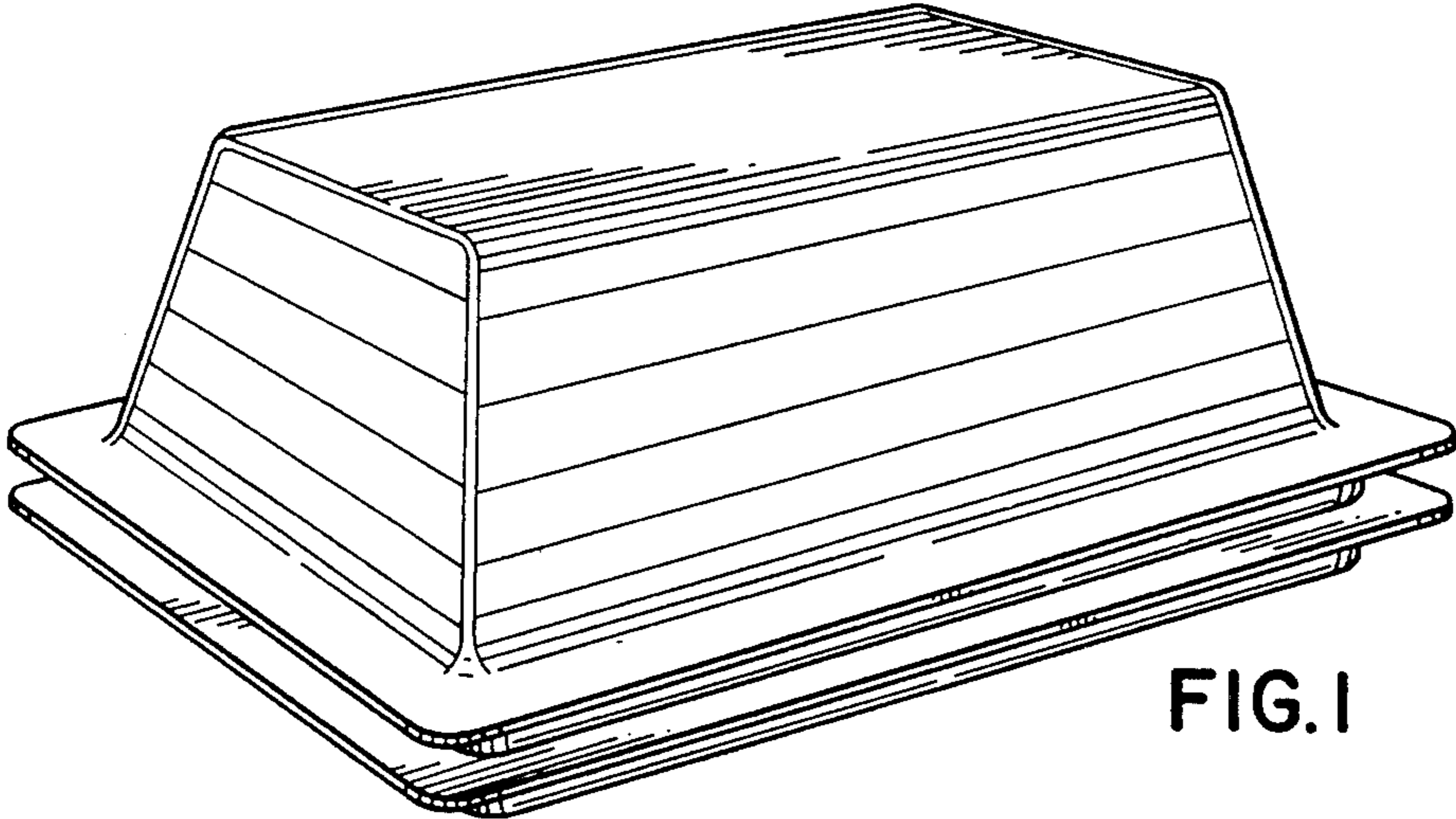


FIG. 1

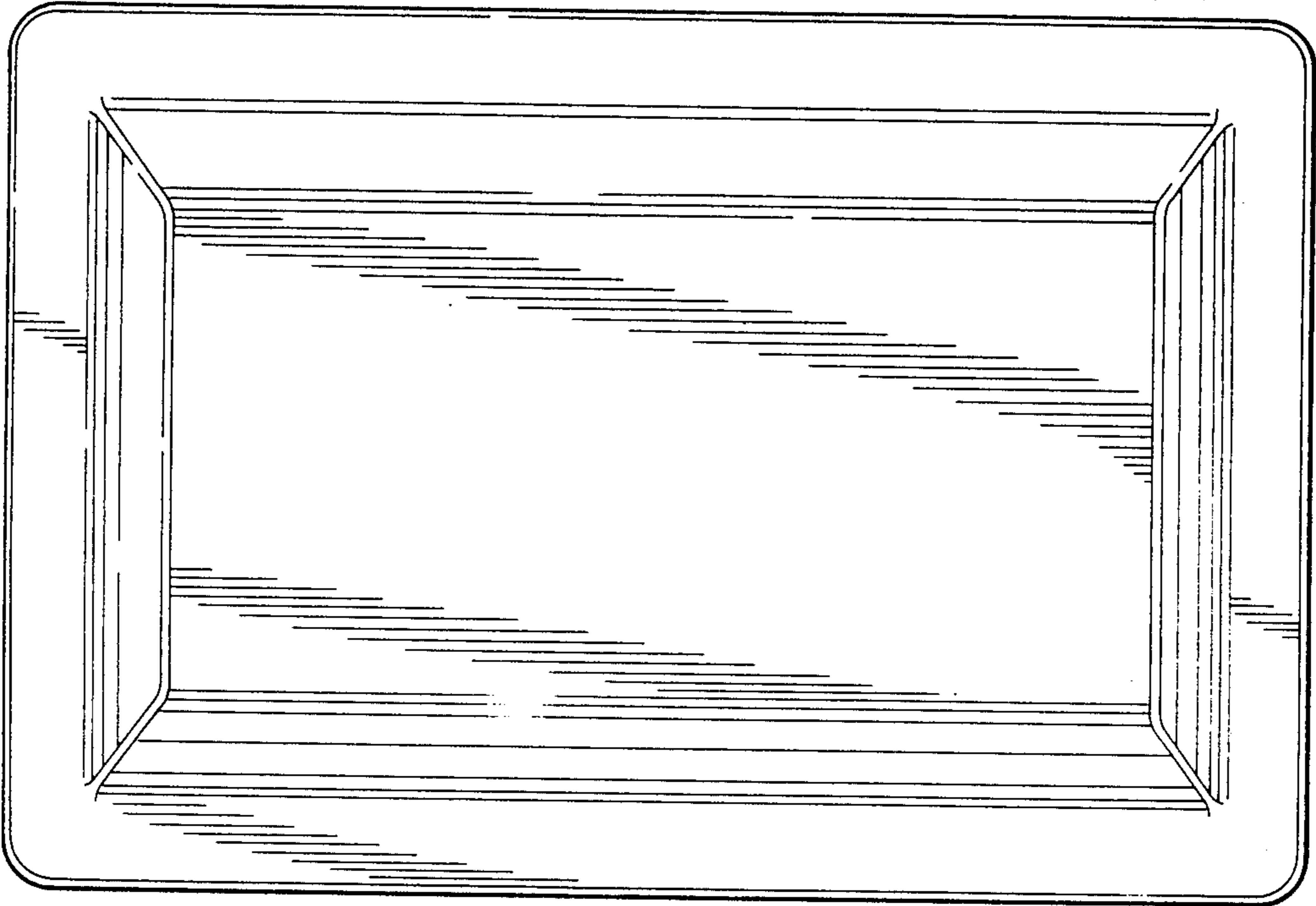


FIG. 2

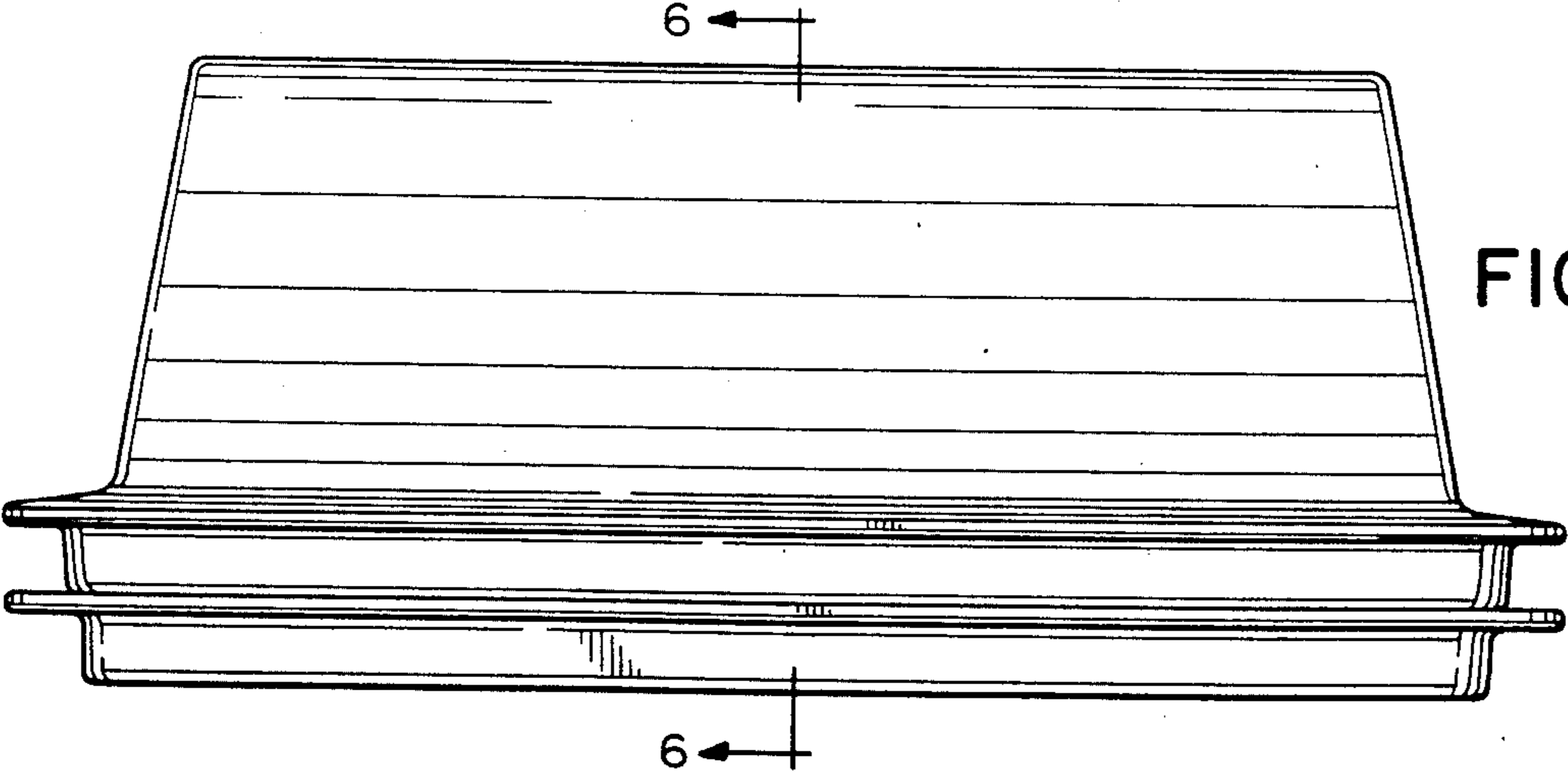


FIG. 3

6 ←

6 ←

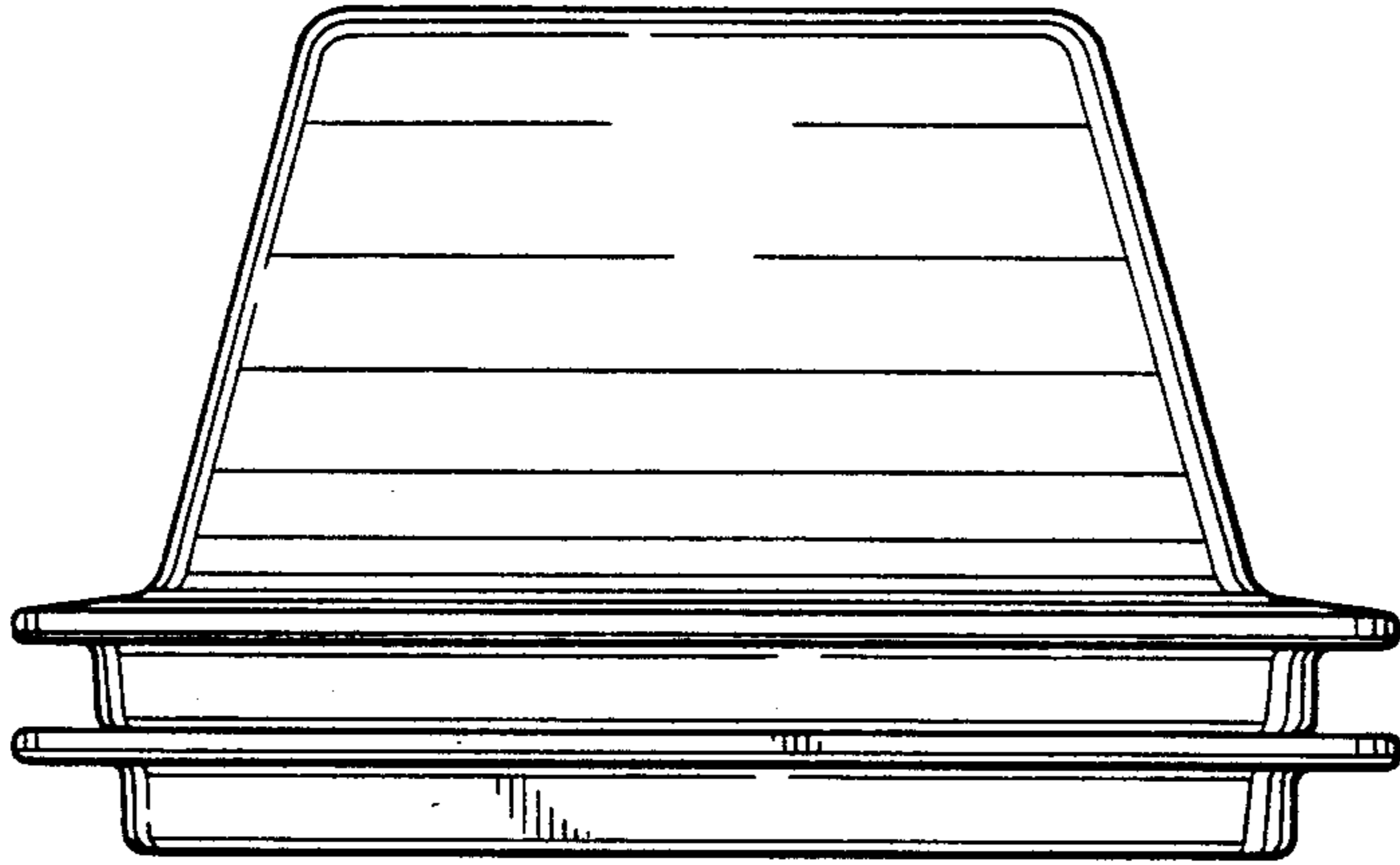


FIG. 4

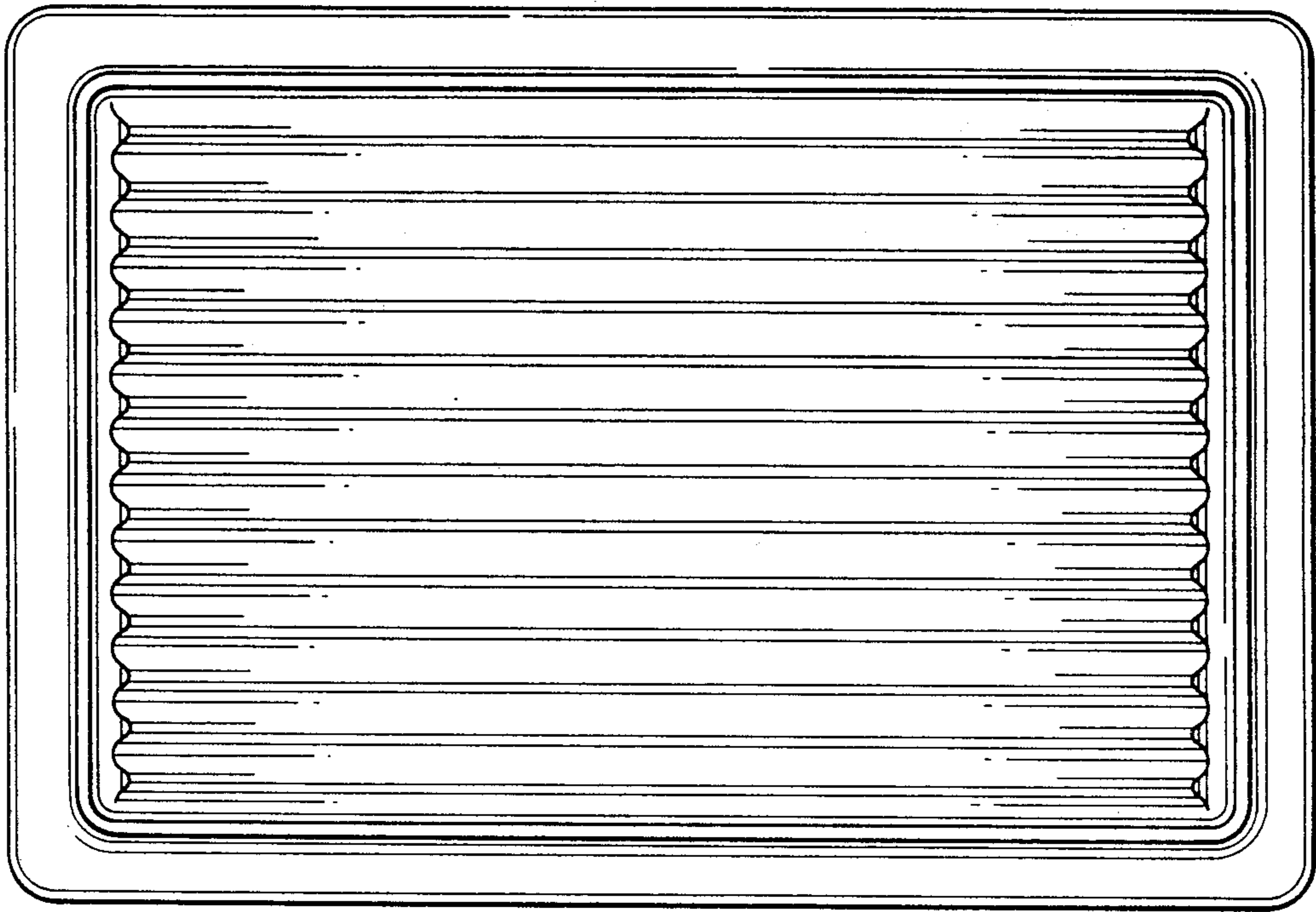


FIG. 5

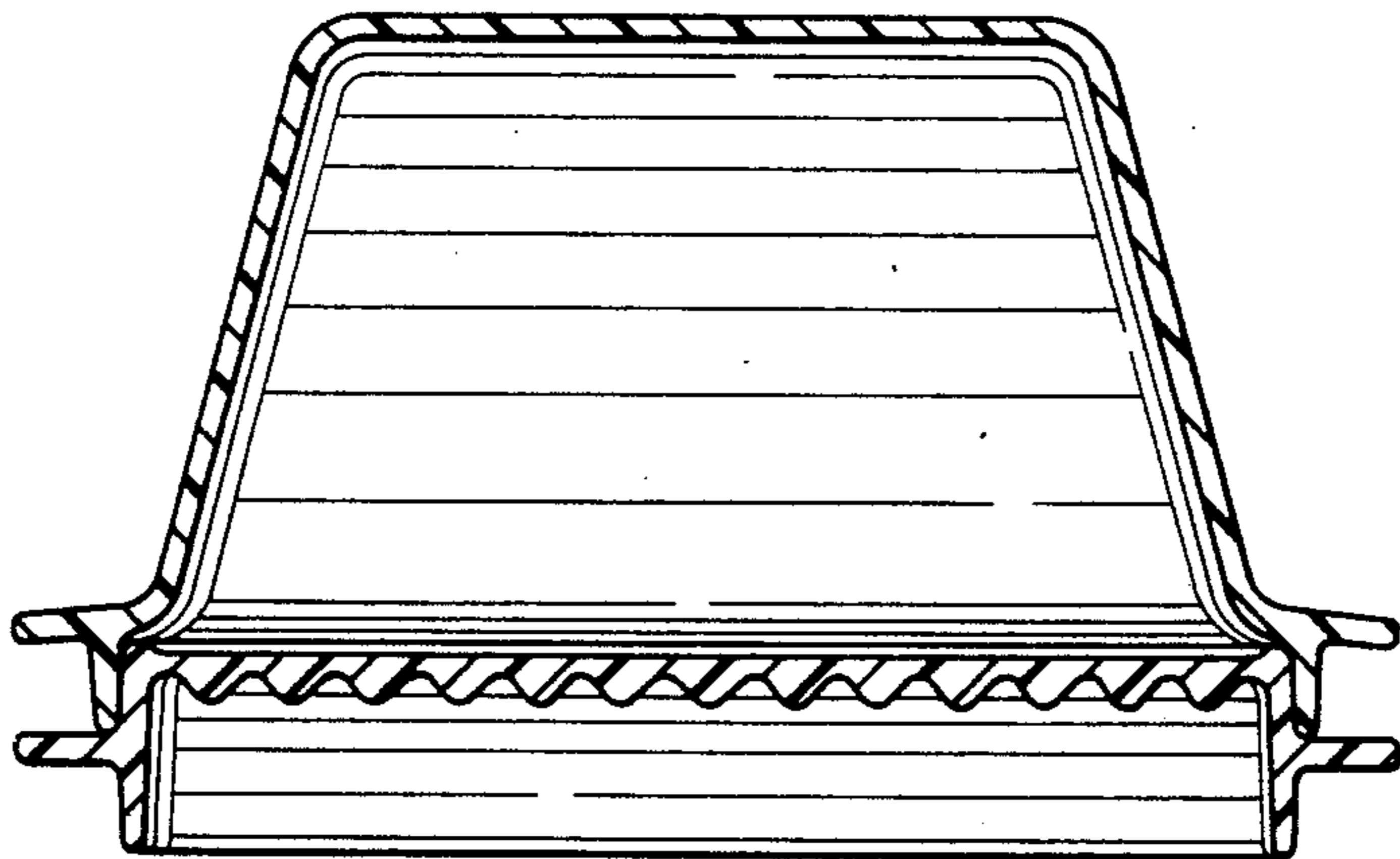


FIG. 6

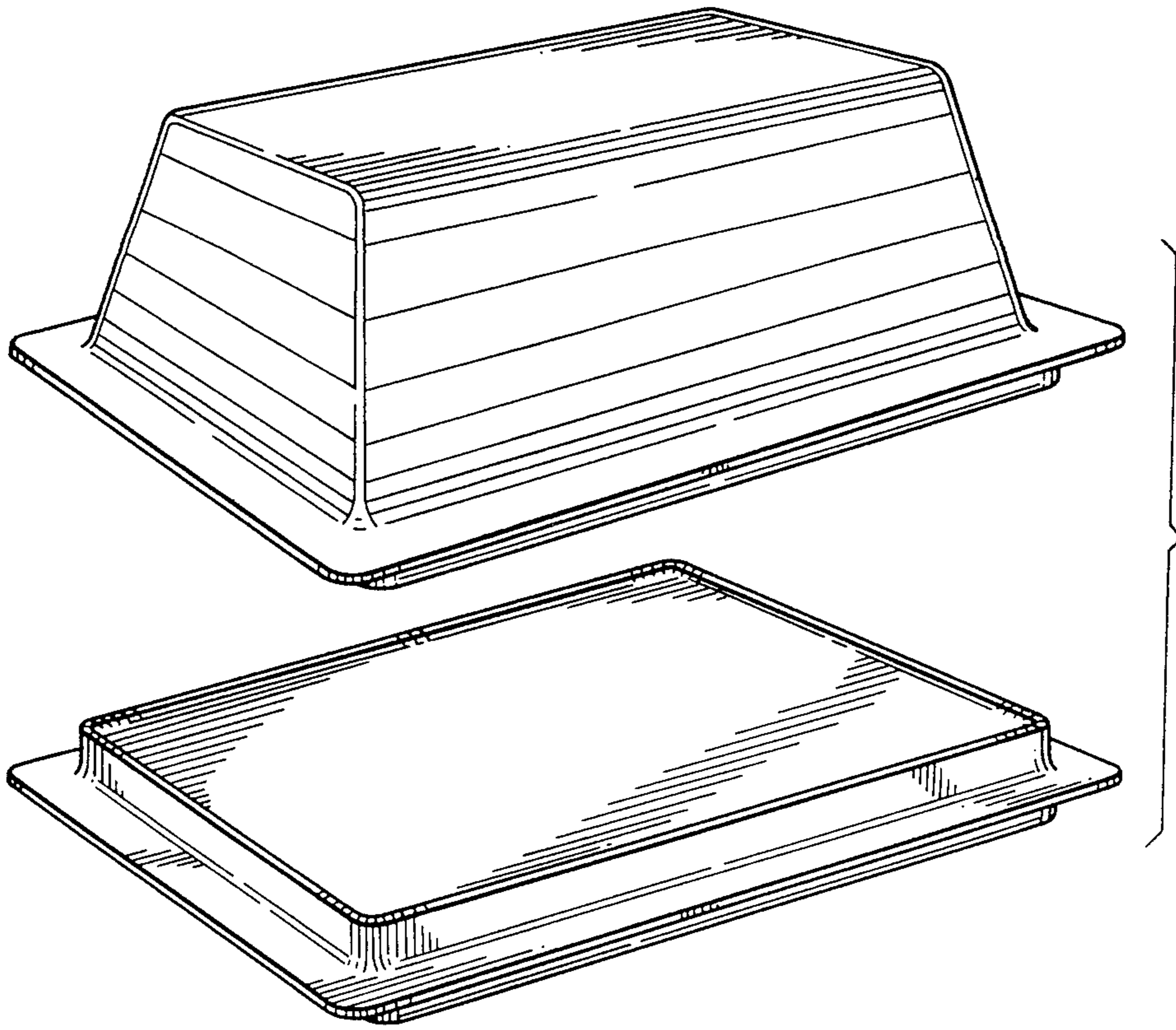


FIG. 7