

[54] COMBINED SWATCH LEVELING AND BINDING CLIP

[76] Inventors: Harry Zelenko; Marion Zelenko, both of 240 E. 61st St., New York, N.Y. 10021

[**] Term: 14 Years

[21] Appl. No.: 478,359

[22] Filed: Mar. 24, 1983

[52] U.S. Cl. D6/512; D8/373

[58] Field of Search D6/553, 513, 512; 281/21, 23; D24/74; D8/373

[56] References Cited

U.S. PATENT DOCUMENTS

- 586,925 7/1897 Lozano .
- 1,196,449 8/1916 Enholm .
- 1,385,590 7/1921 Shoemaker .
- 2,343,119 2/1944 Zaslowsky .
- 2,625,261 1/1953 Swift .
- 2,707,839 5/1955 Green .
- 2,783,880 3/1957 Kayton et al. .
- 3,279,472 10/1966 Toman .
- 3,430,364 3/1969 Kirschbaum et al. .
- 3,530,984 9/1970 Howard .
- 3,570,071 3/1971 Wardell 281/21 R

- 3,762,985 10/1973 Chaitman .
- 3,811,998 5/1974 James 281/21 R
- 3,965,583 6/1976 Price .
- 4,138,143 2/1979 Lawes 281/23

FOREIGN PATENT DOCUMENTS

427744 4/1935 United Kingdom .

OTHER PUBLICATIONS

Plastic Process Company, 7/1953, p. 35, Extrusion #1180, in upper right corner.

Anchor Plastics, 1960, p. 6, Extrusion in mid-section near right side, #a.

Primary Examiner—B. J. Bullock

Assistant Examiner—Suzanne N. Gitlin

Attorney, Agent, or Firm—Richard S. Roberts

[57] CLAIM

The ornamental design for a combined swatch leveling and binding clip, as shown and described.

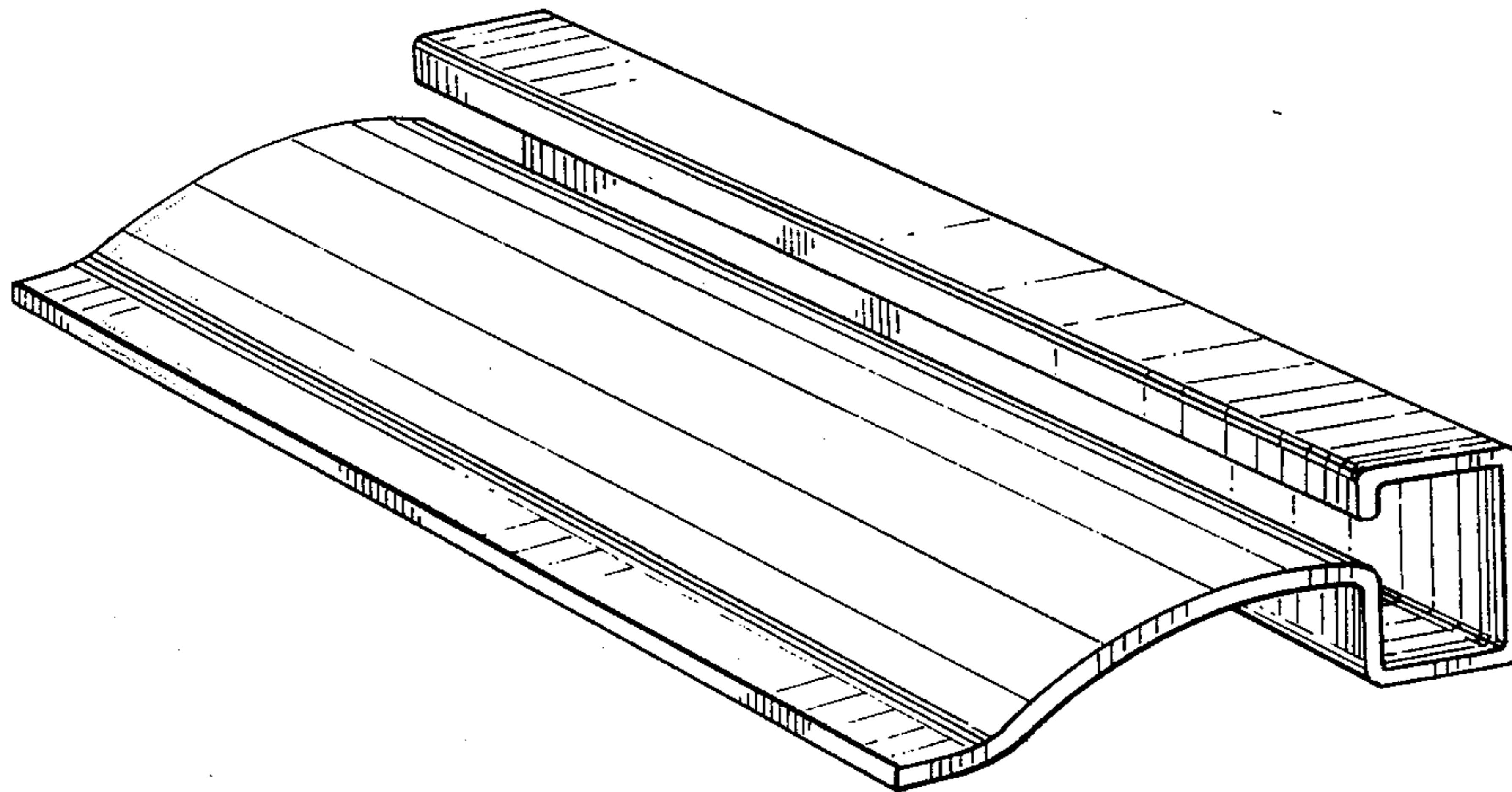
DESCRIPTION

FIG. 1 is a perspective view of a combined swatch leveling and binding clip showing our new design;

FIG. 2 is a front elevational view thereof;

FIG. 3 is a side elevational view thereof;

FIG. 4 is a top plan view thereof.



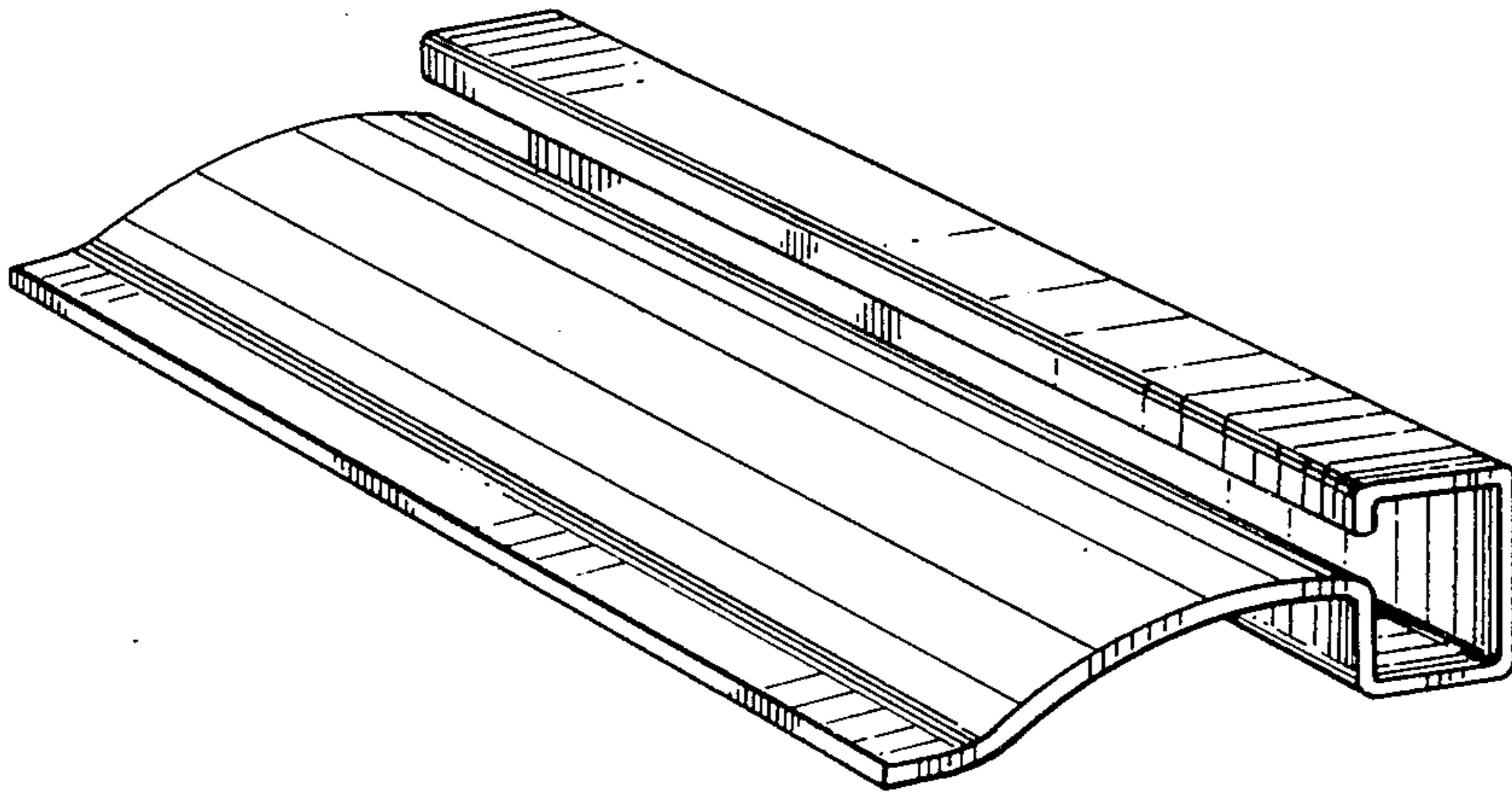


FIG. 1

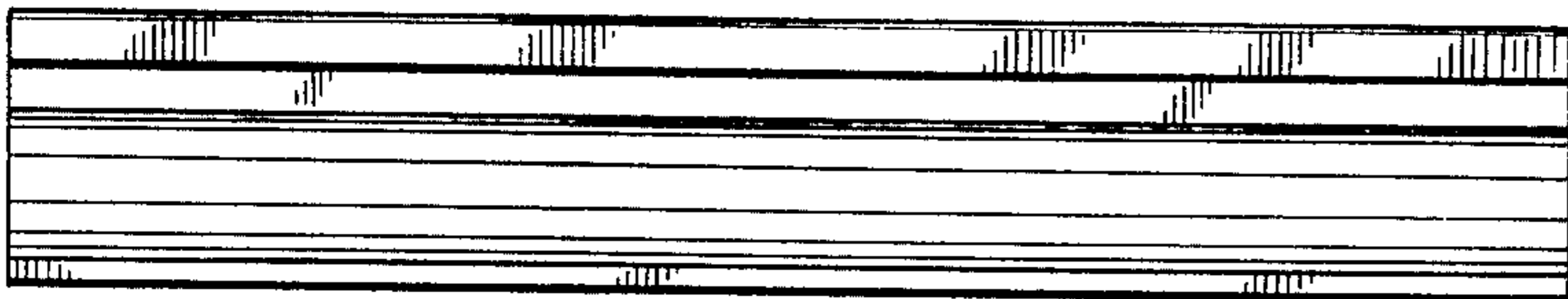


FIG. 2

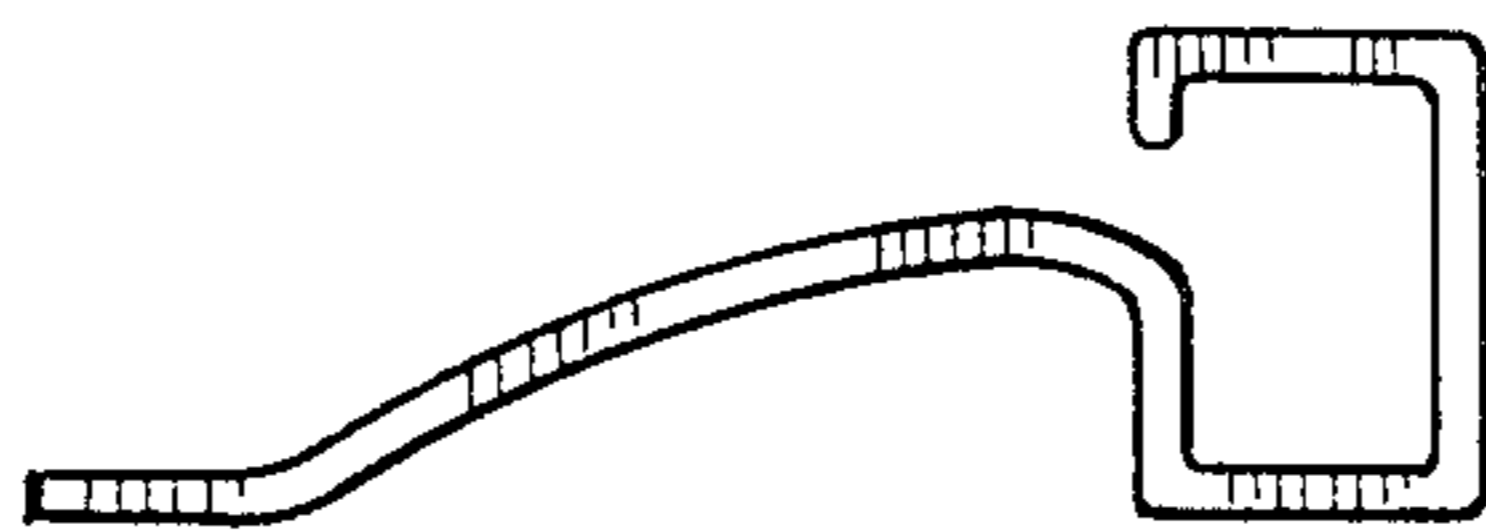


FIG. 3

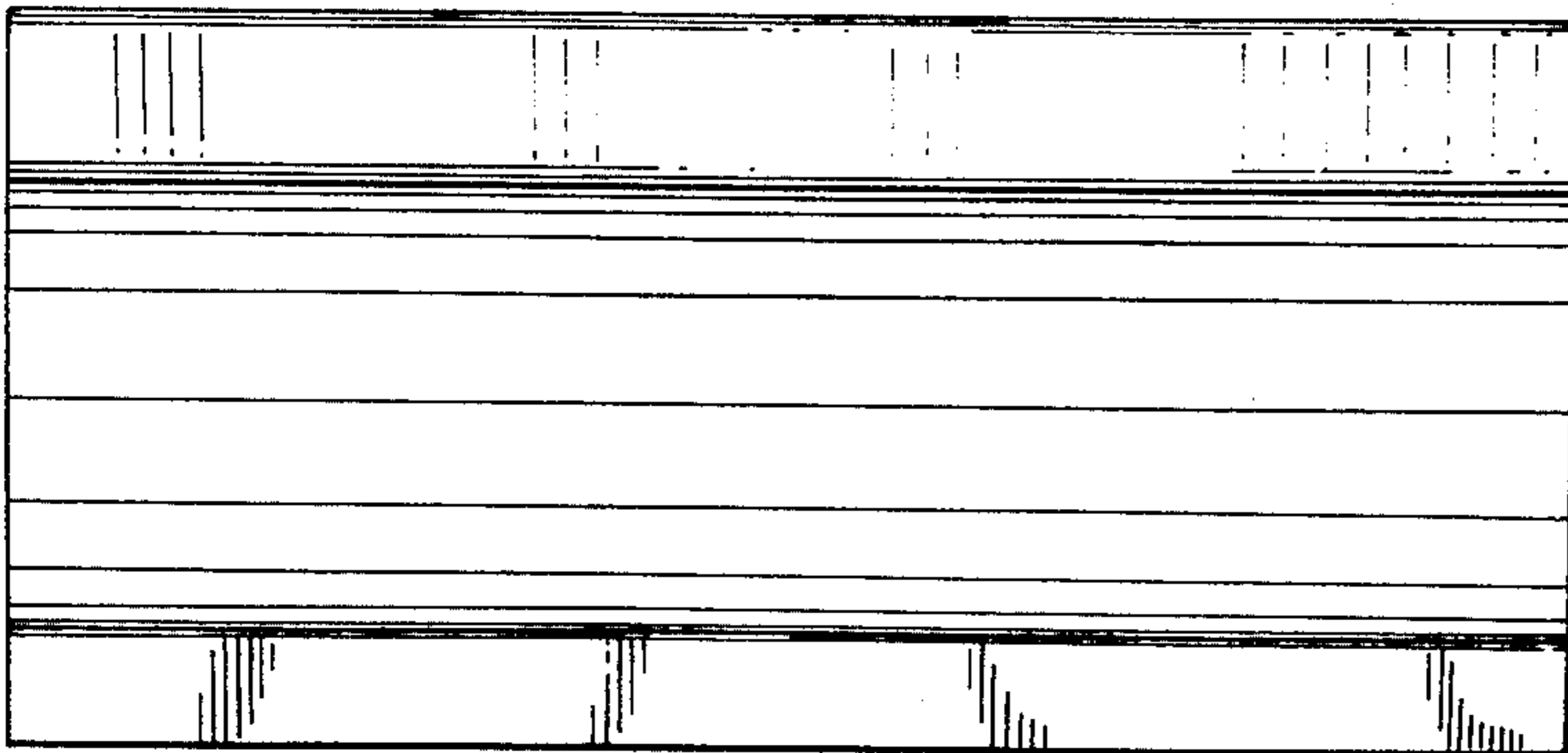


FIG. 4