

[54] **FURNITURE FOOT OR SIMILAR ARTICLE**

[75] **Inventor: Bruce K. Boundy, Holland, Mich.**

[73] **Assignee: Westinghouse Electric Corp., Pittsburgh, Pa.**

[\*\*] **Term: 14 Years**

[21] **Appl. No.: 549,126**

[22] **Filed: Nov. 4, 1983**

[52] **U.S. Cl. .... D6/498**

[58] **Field of Search ..... D6/366, 421, 422, 486, D6/498; 108/150; 248/188.7, 188.8; 297/445**

[56] **References Cited**

**U.S. PATENT DOCUMENTS**

- D. 245,378 8/1977 Roericht ..... D6/366
- D. 248,706 8/1978 Smith et al. .... D6/422
- D. 276,864 12/1984 Ponzellini ..... D6/498
- D. 278,012 3/1985 Doerner ..... D6/498 X

**OTHER PUBLICATIONS**

Design Catalog, Oct. 1978, p. 43, desk left center.

*Primary Examiner*—Bruce W. Dunkins  
*Attorney, Agent, or Firm*—B. R. Studebaker

[57] **CLAIM**

The ornamental design for a furniture foot or similar article, substantially as shown and described.

**DESCRIPTION**

FIG. 1 is a perspective view of a furniture foot or similar article illustrating one embodiment of my new design;

FIG. 2 is a side elevation view thereof;

FIG. 3 is a top plan view thereof;

FIG. 4 is a front elevation view thereof;

FIG. 5 is a rear elevation view thereof;

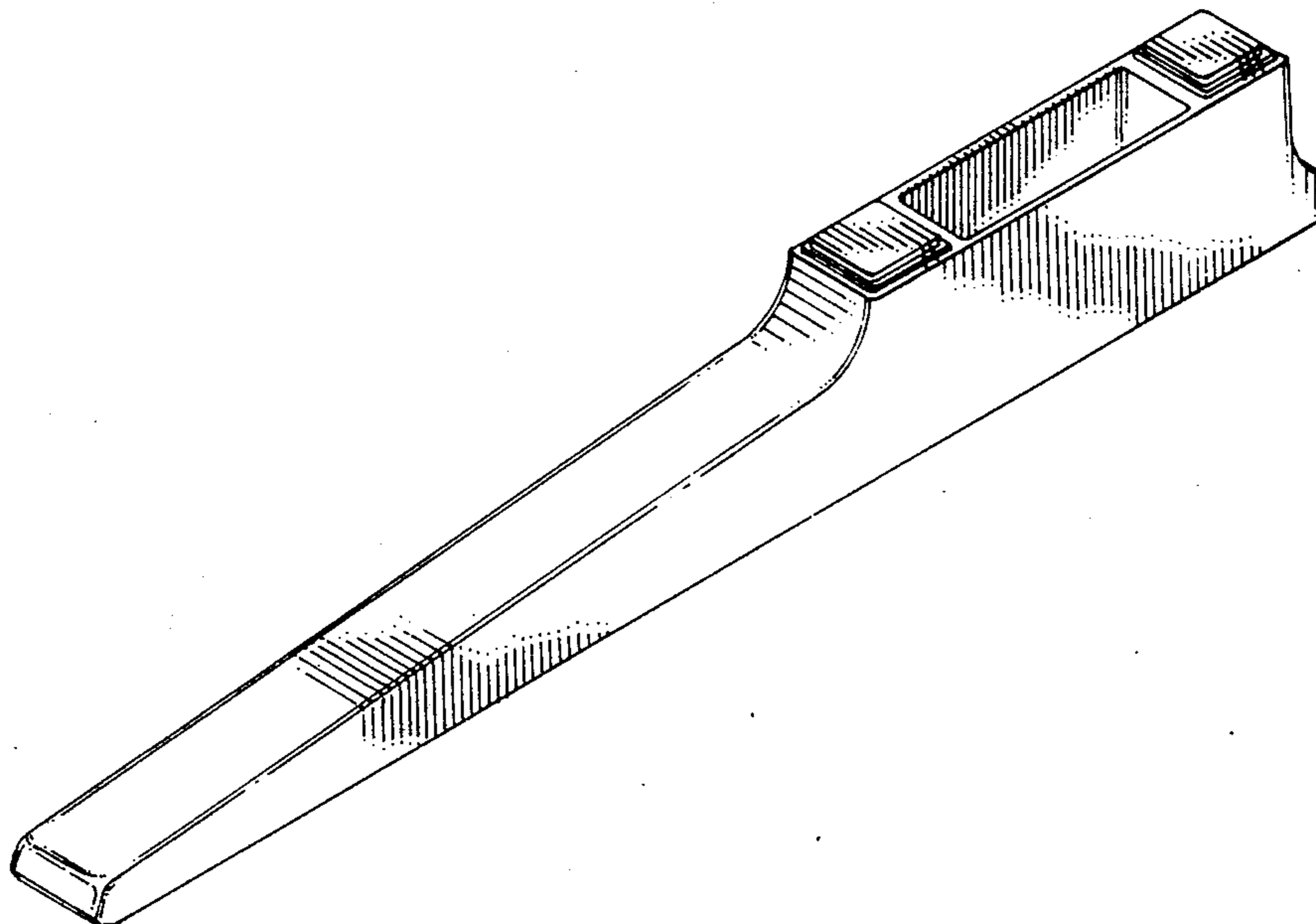
FIG. 6 is a perspective view of a second embodiment of a foot for tables, desks and the like illustrating my new design;

FIG. 7 is a side elevation view thereof;

FIG. 8 is a top plan view thereof;

FIG. 9 is a front elevation view thereof; and

FIG. 10 is a rear elevation view thereof.



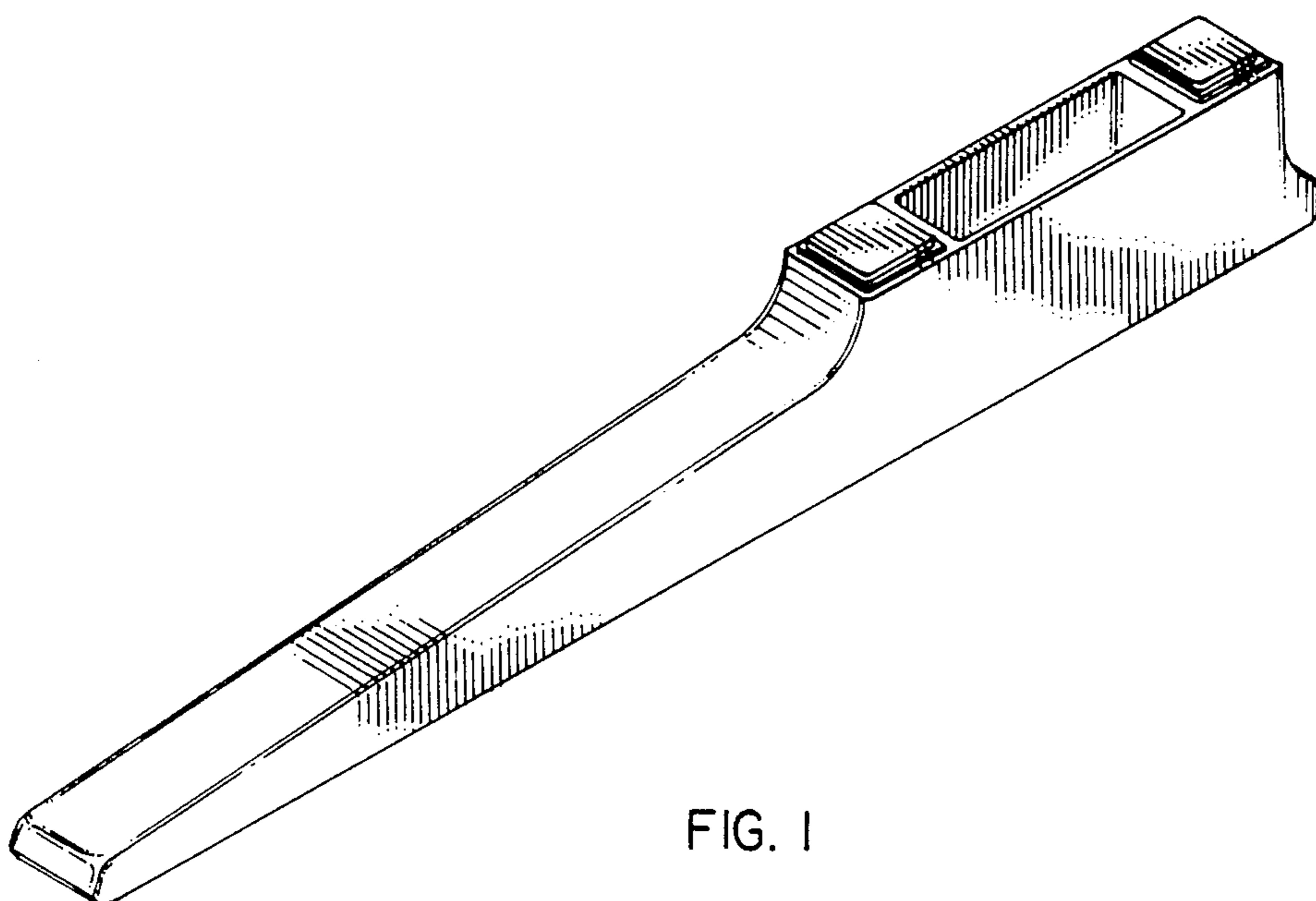


FIG. 1

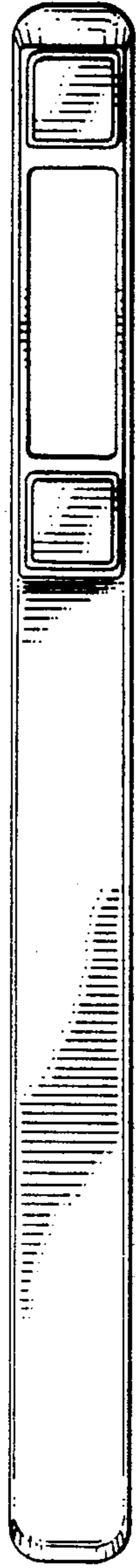


FIG. 3

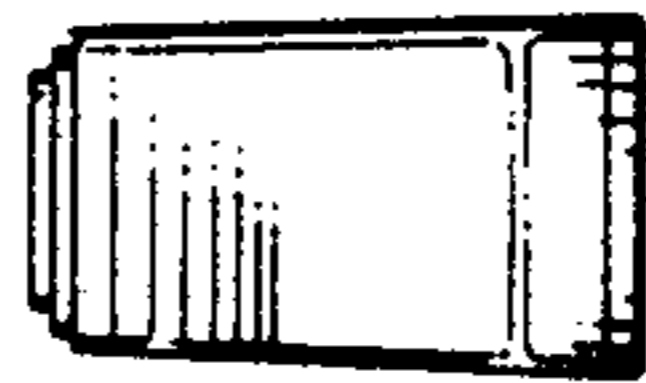


FIG. 4

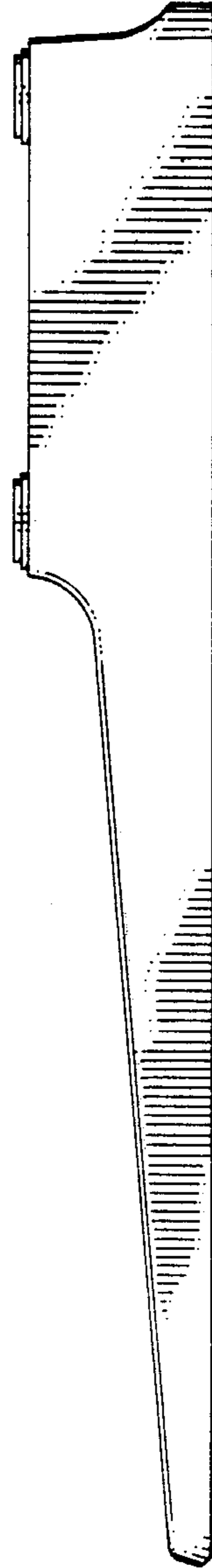


FIG. 2

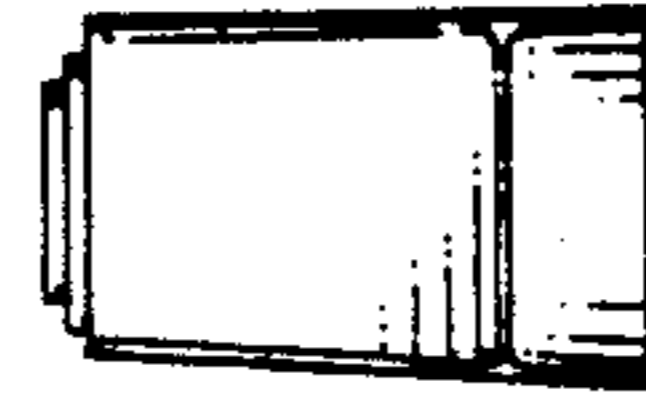


FIG. 5

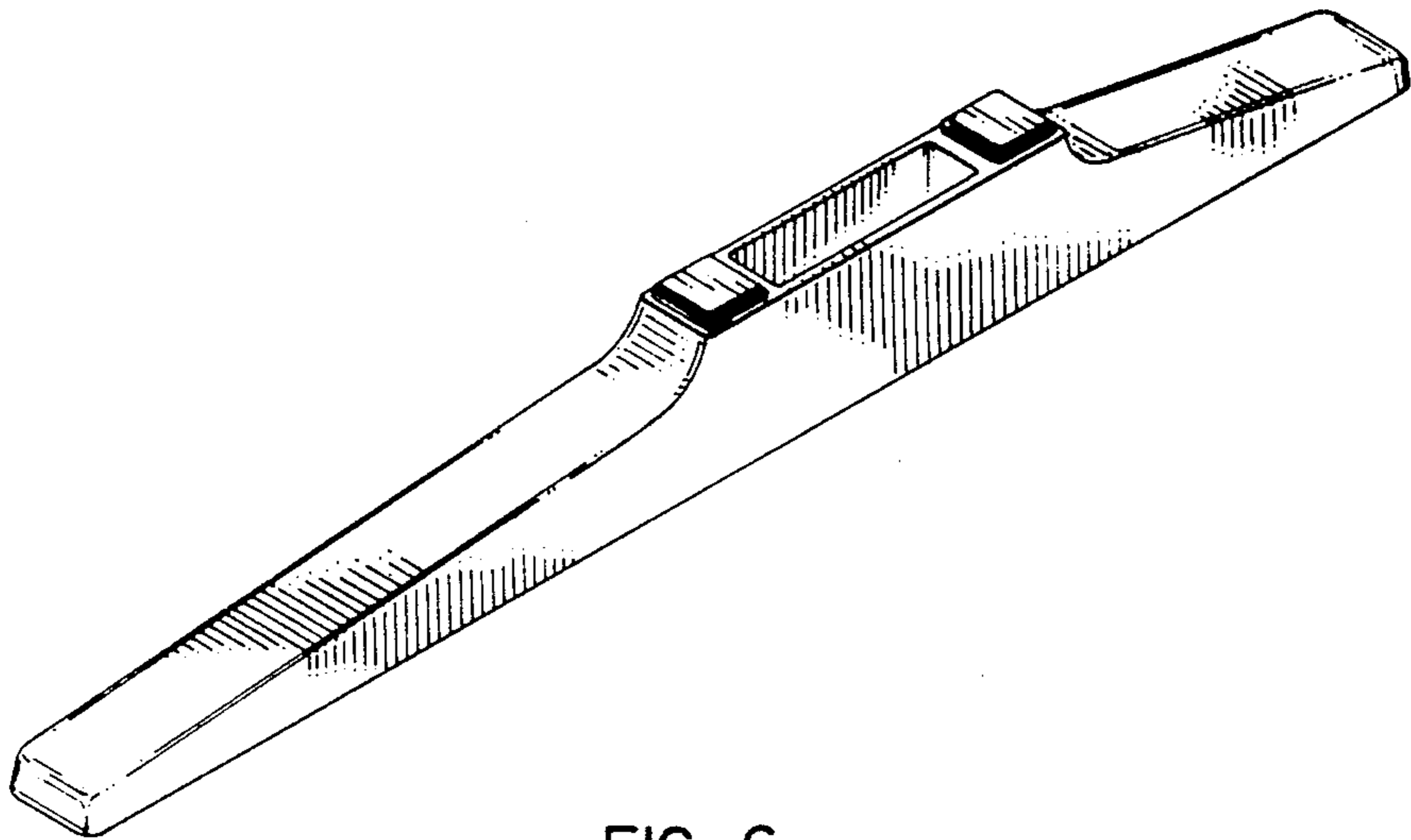


FIG. 6

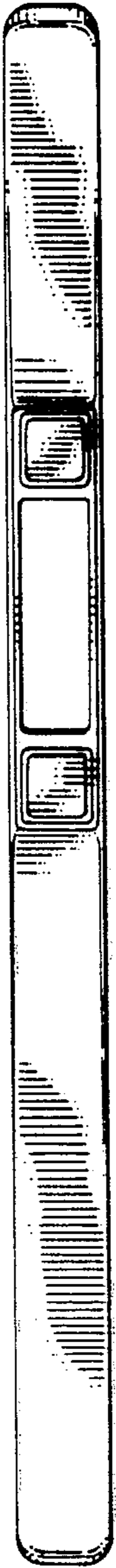


FIG. 8



FIG. 10

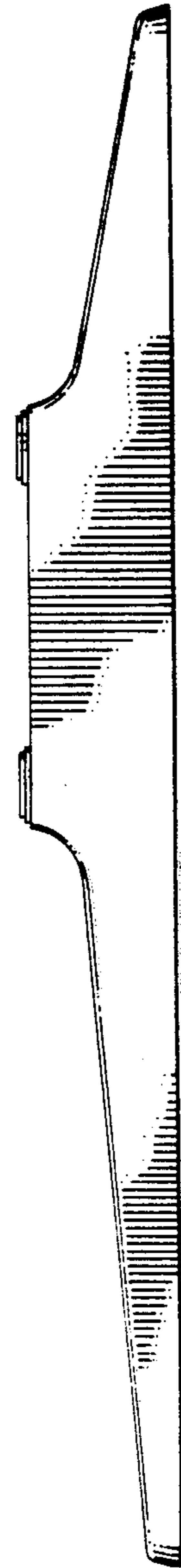


FIG. 7



FIG. 9