

[54] TABLE

[75] Inventor: Richard D. Berry, Jr., Hickory, N.C.

[73] Assignee: Design Institute America, Inc.,  
Montpelier, Ohio

[\*\*] Term: 14 Years

[21] Appl. No.: 512,334

[22] Filed: Jul. 11, 1983

[52] U.S. Cl. .... D6/479; D6/484;  
D6/430

[58] Field of Search ..... D6/405, 429, 449, 460,  
D6/461, 465, 474, 477, 479, 480, 484, 488

[56] References Cited

U.S. PATENT DOCUMENTS

D. 166,991	6/1952	Ovendale	.....	D6/474
D. 188,401	7/1960	Lux	.....	D6/474
D. 236,054	7/1975	Ginat	.....	D6/479
D. 254,826	4/1980	Crespi	.....	D6/474
D. 258,177	2/1981	Baker	.....	D6/478
D. 260,339	8/1981	Yoshizawa	.....	D6/429

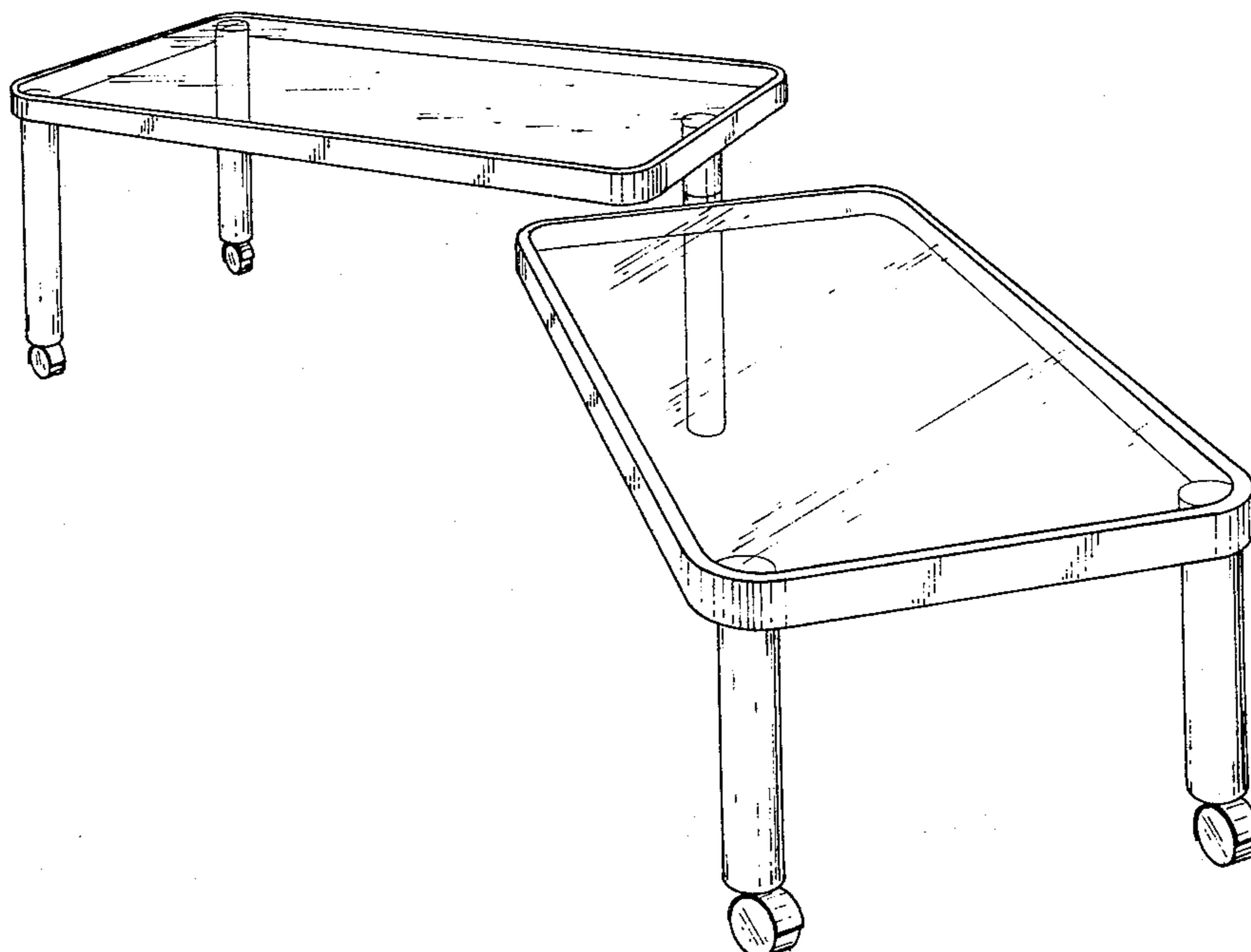
Primary Examiner—Bruce W. Dunkins  
Attorney, Agent, or Firm—Marshall & Melhorn

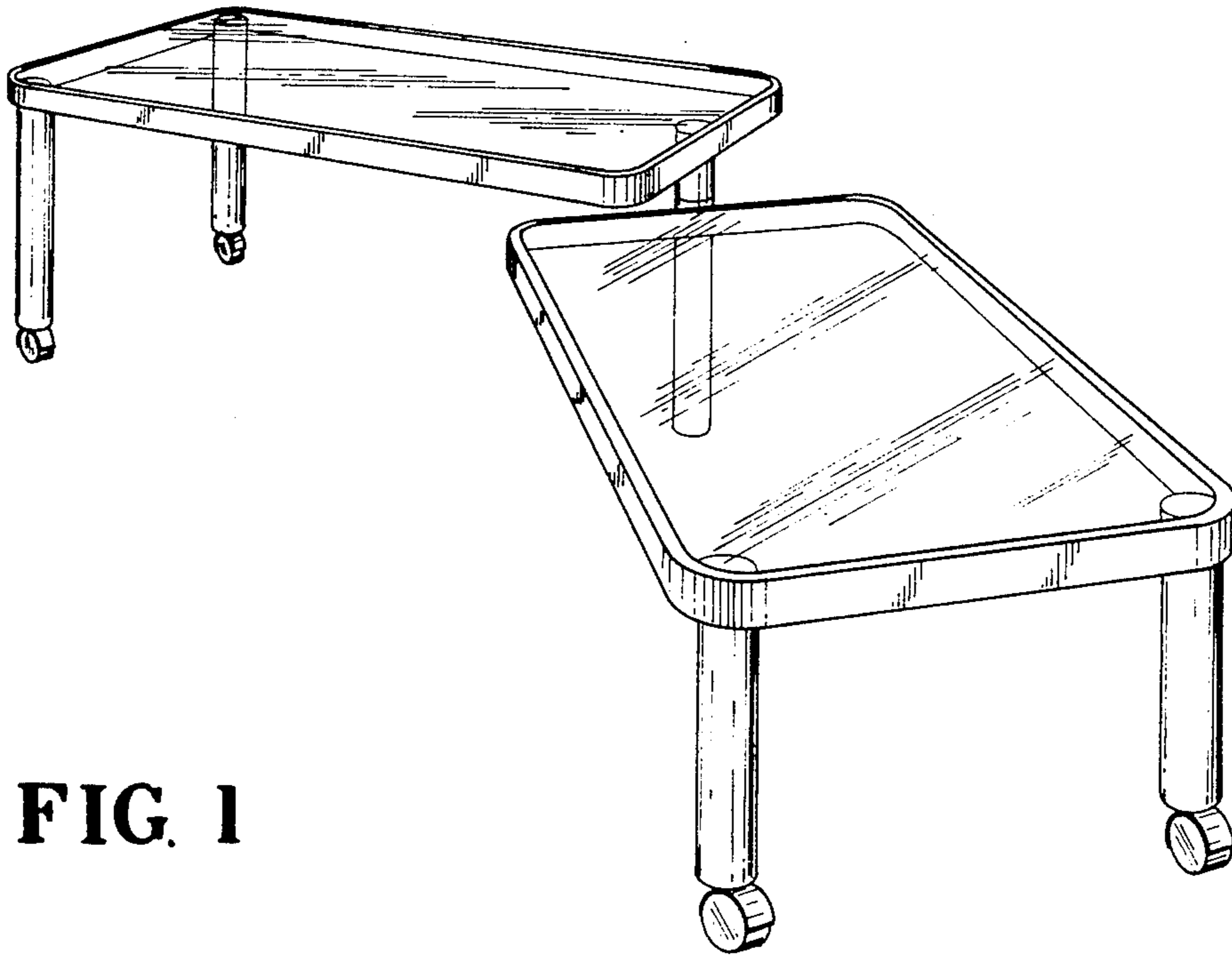
[57] CLAIM

The ornamental design for a table, as shown.

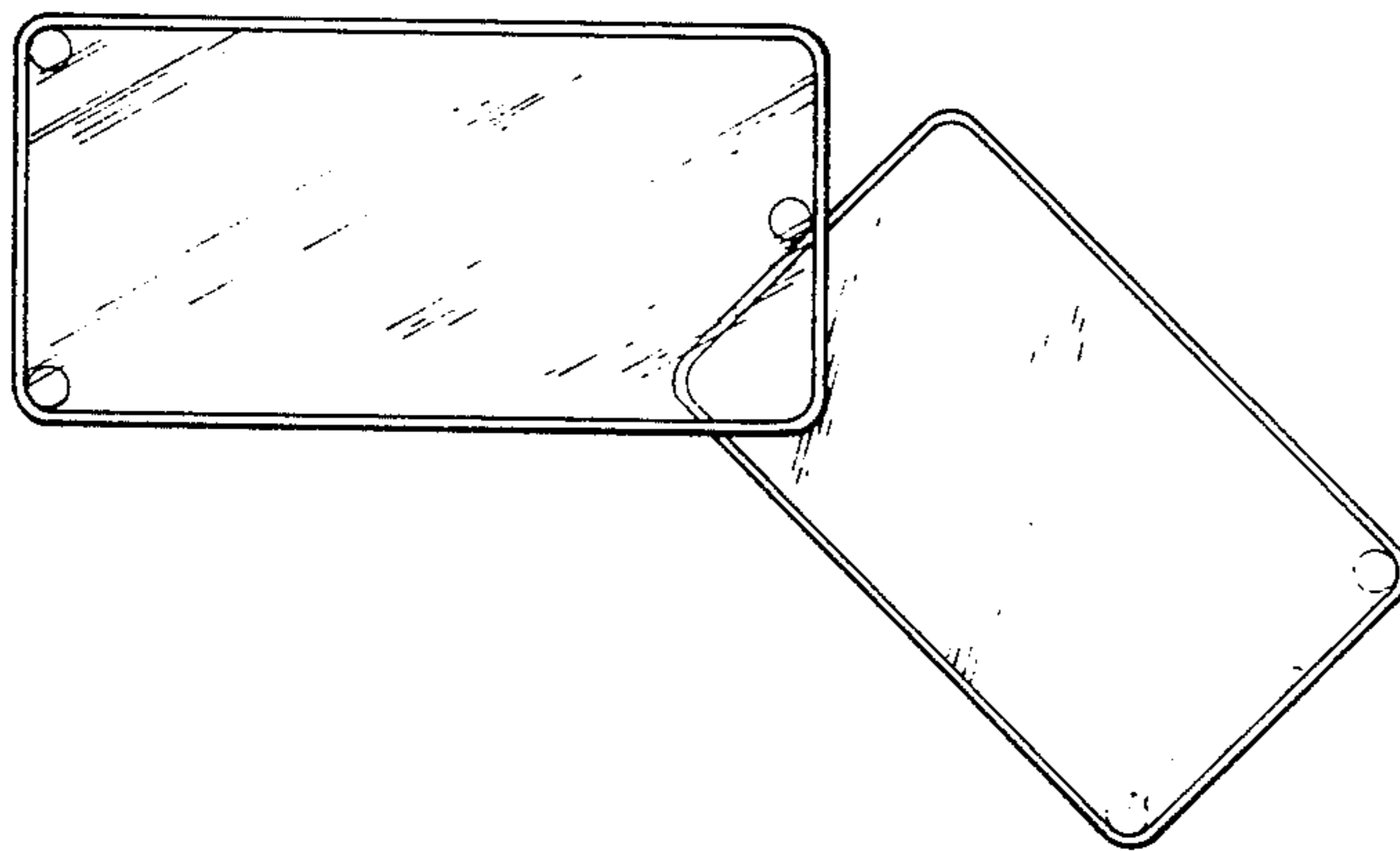
DESCRIPTION

FIG. 1 is a perspective view of a table embodying my new design;  
FIG. 2 is a top plan view thereof;  
FIG. 3 is a front elevational view thereof; and  
FIG. 4 is a side elevational view thereof.

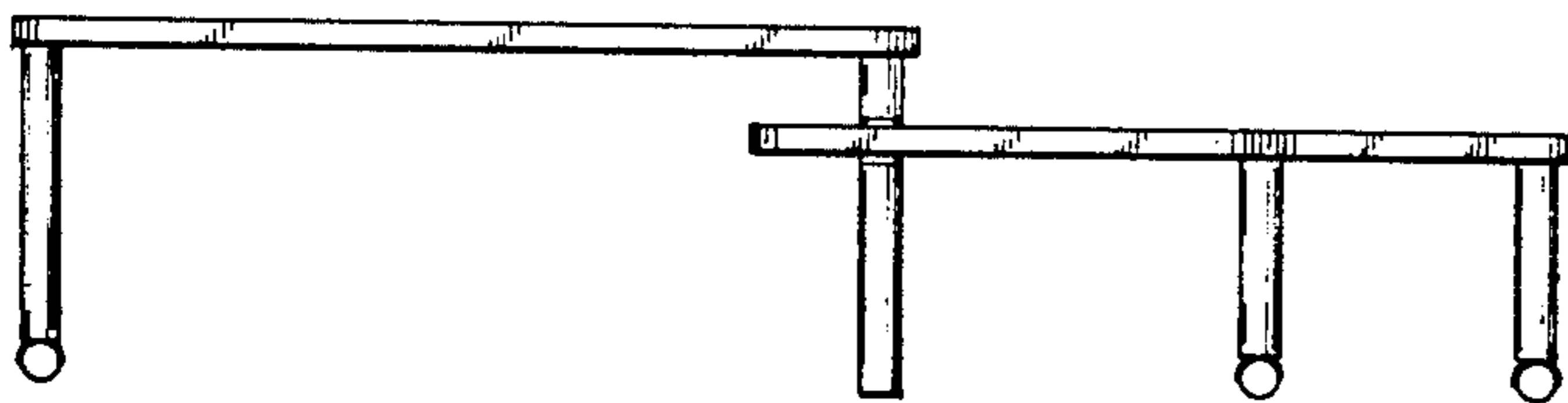




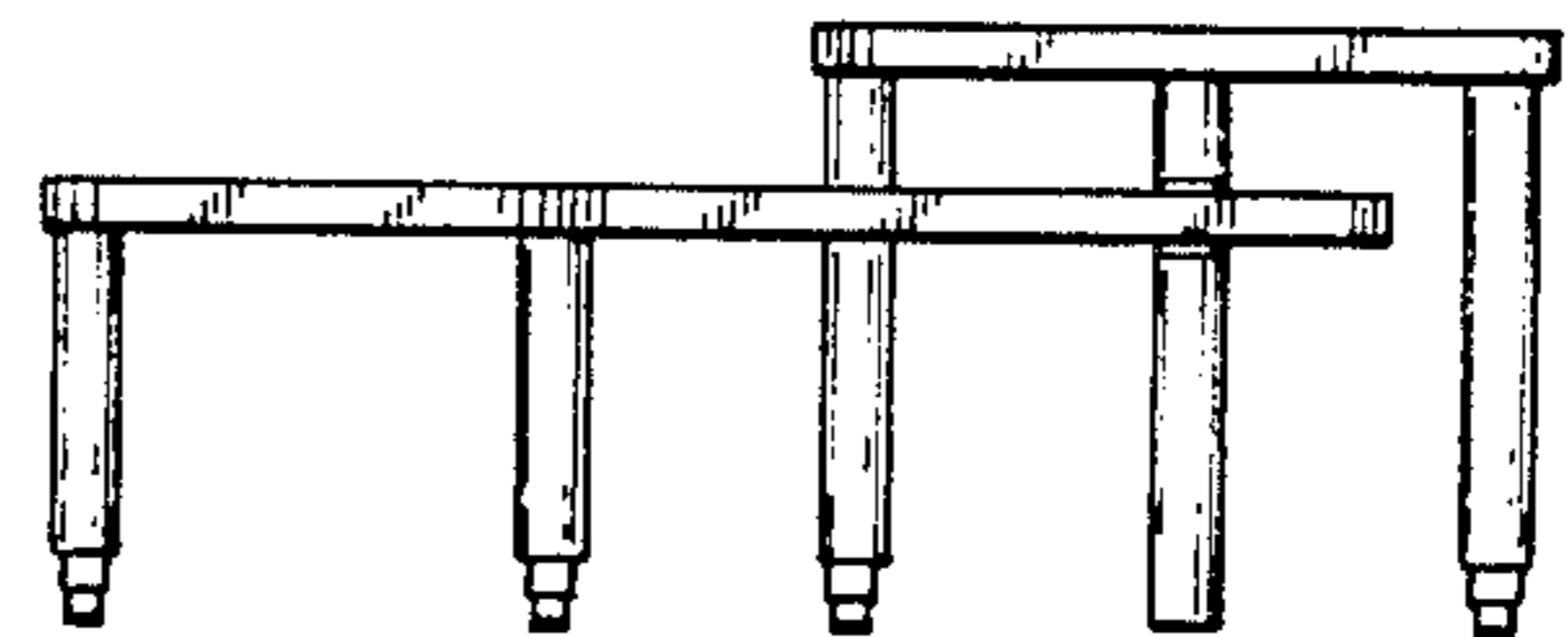
**FIG. 1**



**FIG. 2**



**FIG. 3**



**FIG. 4**