

[54] **HOOK ATTACHMENT BOSS FOR A GARMENT HANGER**

[75] Inventor: **Robert A. Bredeweg**, Zeeland, Mich.

[73] Assignee: **John Thomas Batts, Inc.**, Zeeland, Mich.

[**] Term: **14 Years**

[21] Appl. No.: **722,465**

[22] Filed: **Apr. 12, 1985**

4,312,464 1/1982 Treiman D6/318

FOREIGN PATENT DOCUMENTS

0678472 1/1964 Canada 223/92

Primary Examiner—B. J. Bullock
Attorney, Agent, or Firm—Price, Heneveld, Huizenga & Cooper

[57] CLAIM

The ornamental design for a hook attachment boss for a garment hanger, substantially as shown and described.

Related U.S. Application Data

[62] Division of Ser. No. 681,427, Dec. 13, 1984.

[52] U.S. Cl. **D6/328**

[58] Field of Search 86/315-319,
86/326-328; 211/113, 118, 119; 223/85-96, 98

[56] References Cited

U.S. PATENT DOCUMENTS

3,191,770 6/1965 Zuckerman 223/85

3,963,154 6/1976 Schwartz 223/85

4,054,234 10/1977 Thomas 223/91

4,187,967 2/1980 Garrison 223/92

DESCRIPTION

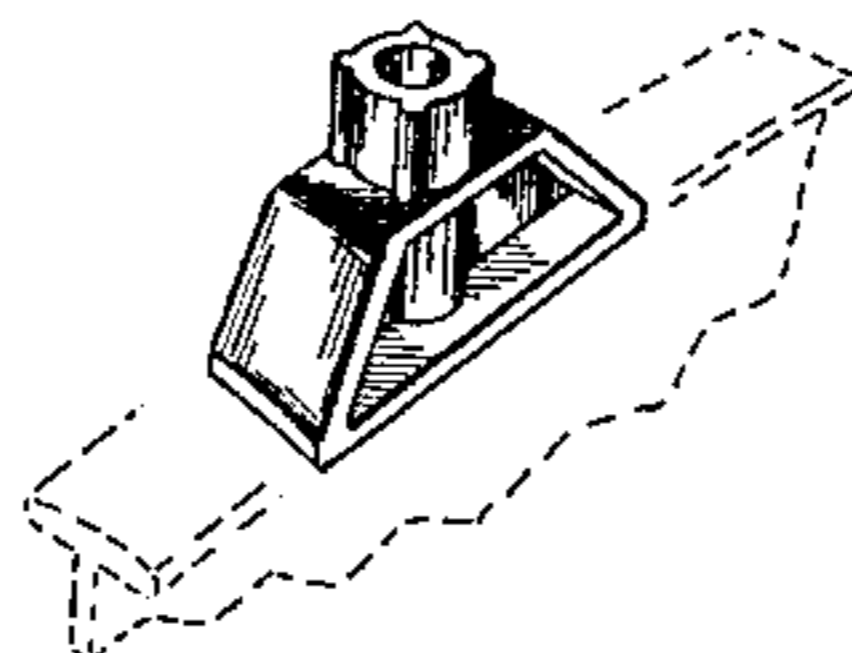
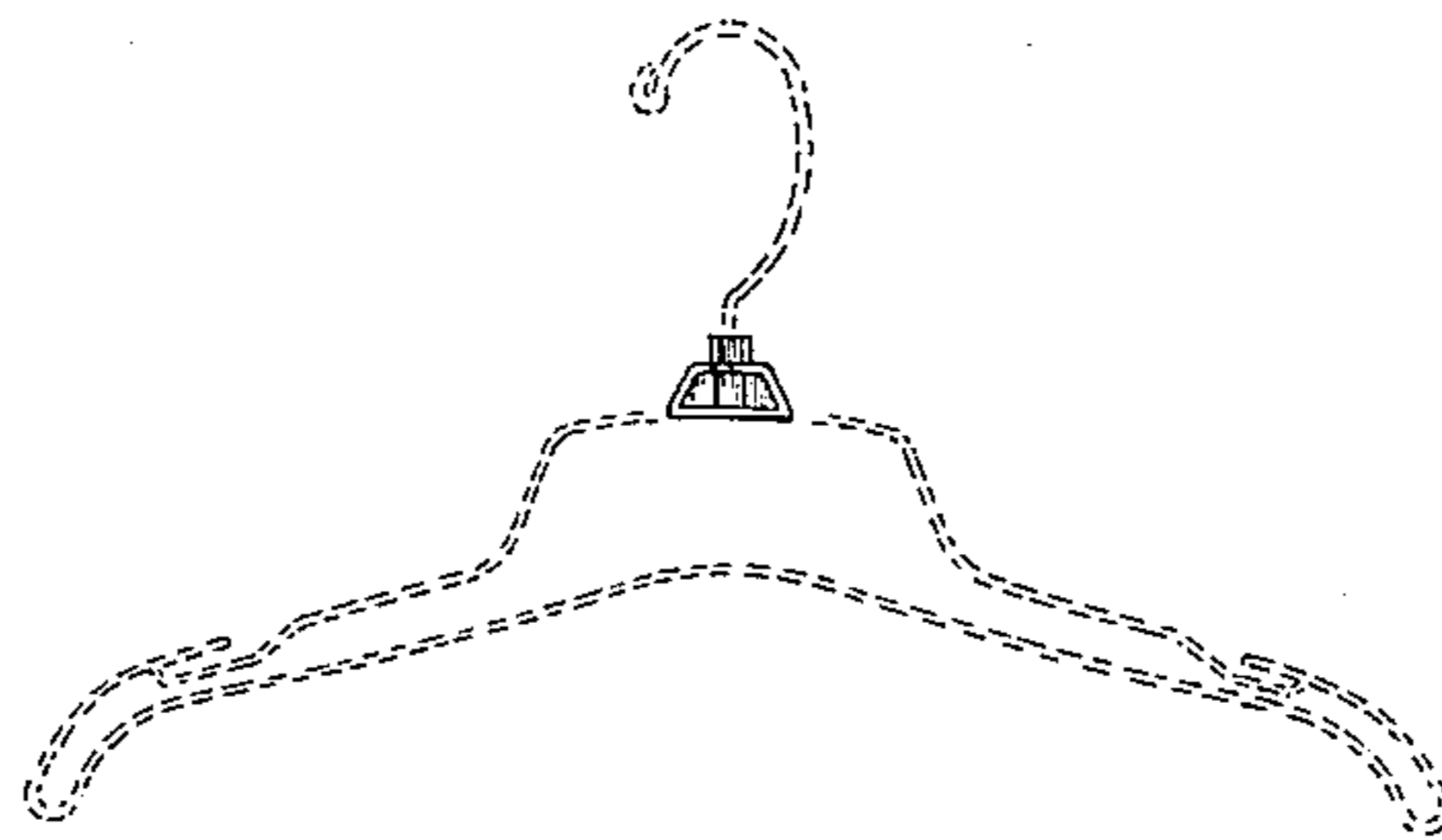
FIG. 1 is a front, elevational view of a hook attachment boss for a garment hanger showing my new design, the rear being identical;

FIG. 2 is an enlarged top, plan view thereof, the bottom being unornamental;

FIG. 3 is an enlarged end elevational view thereof, both ends being identical;

FIG. 4 is an enlarged perspective view thereof.

The hook attachment boss for a garment hanger of this design is shown in solid lines, environmental structure is shown in broken lines and is not part of the design.



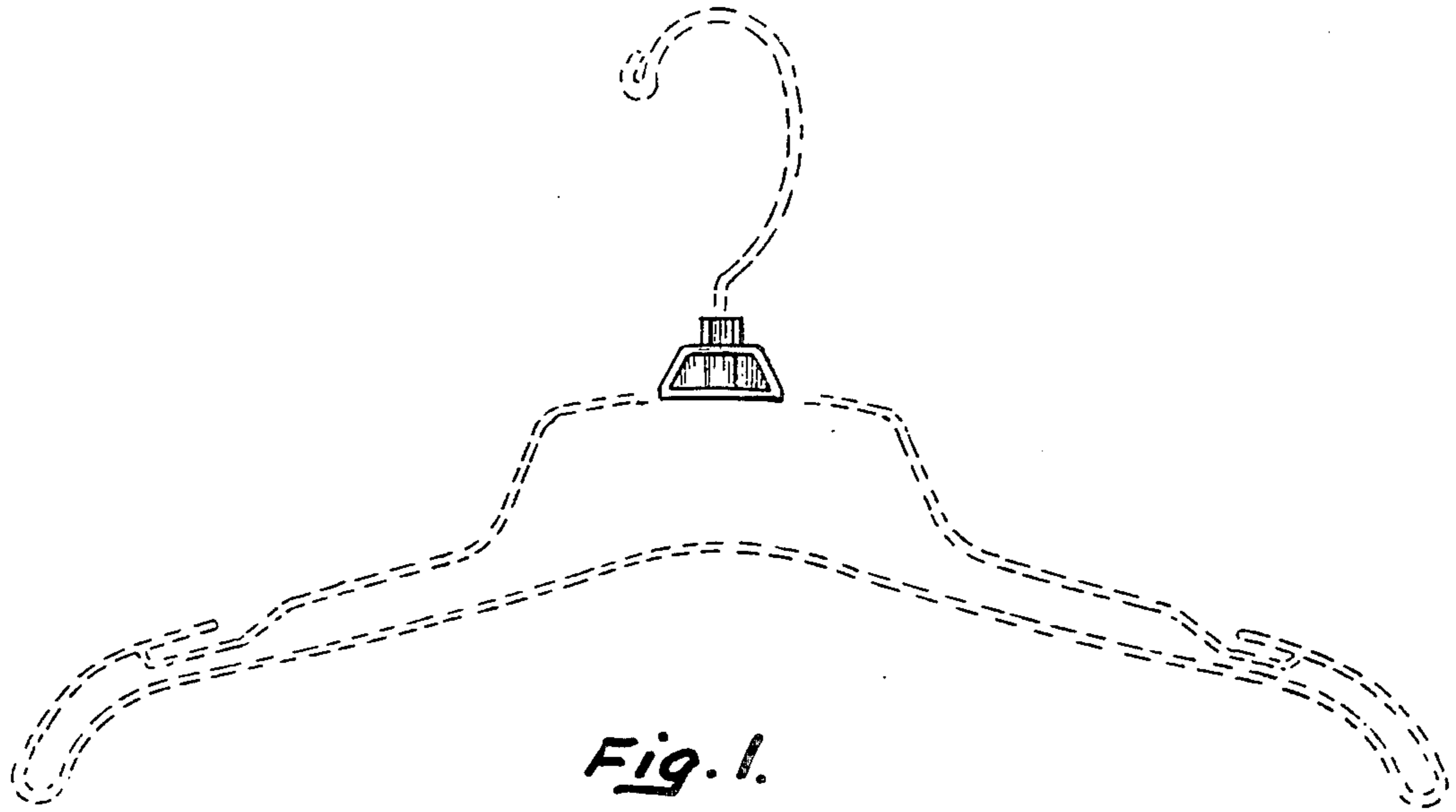


Fig. 1.

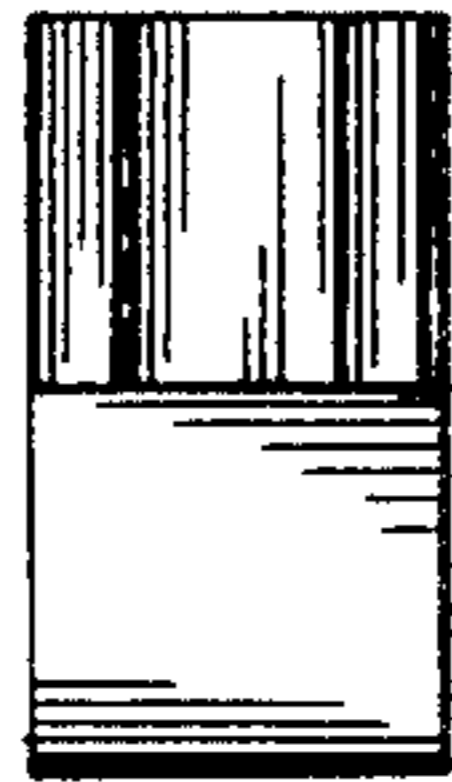


Fig. 3.

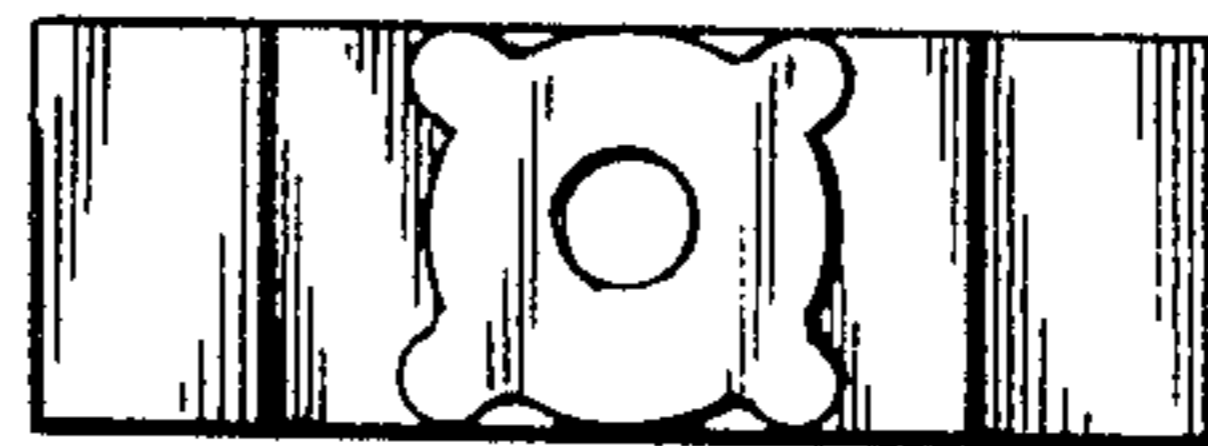


Fig. 2.

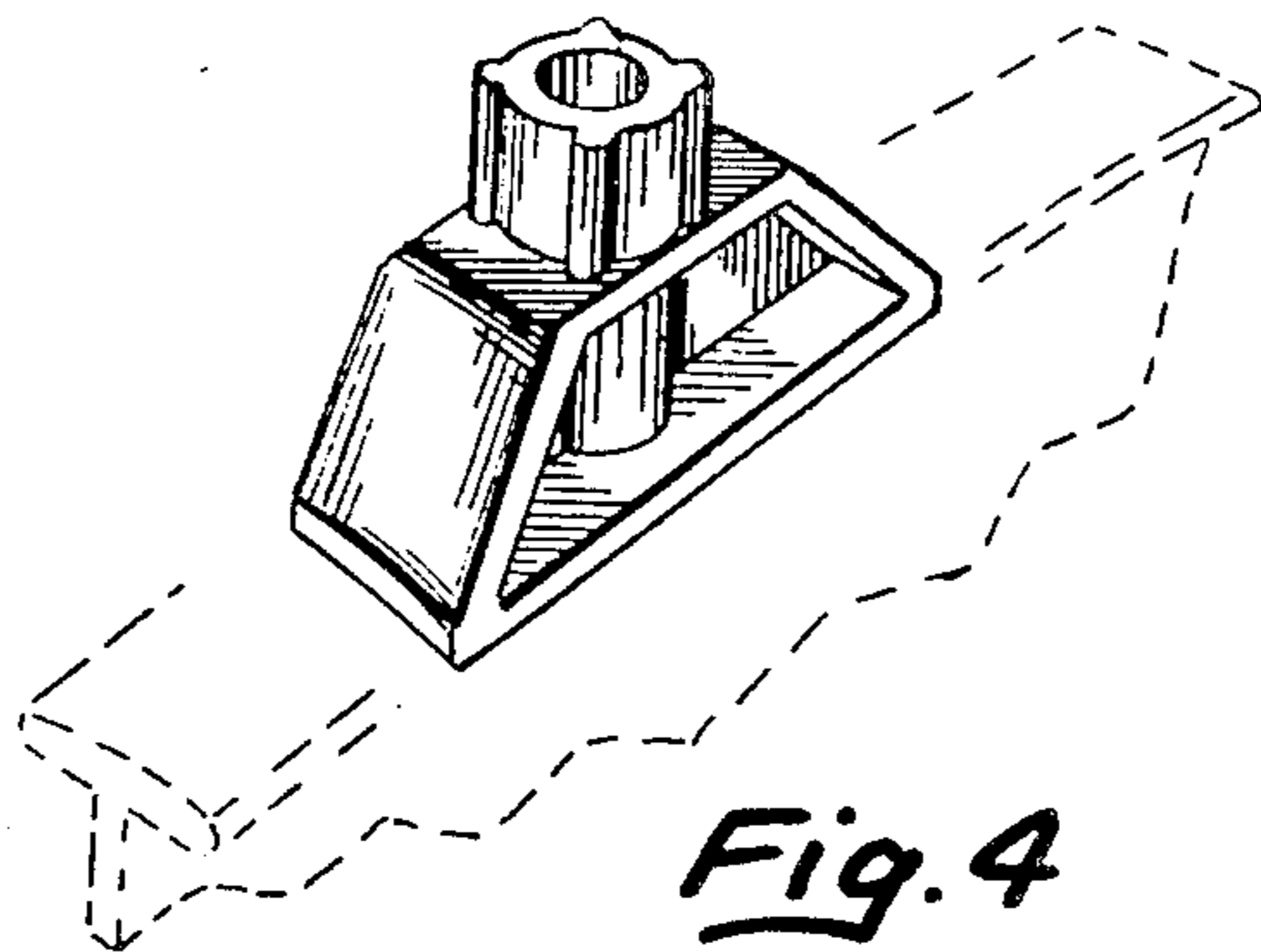


Fig. 4