

[54] **FLY BOX**

[75] **Inventor: Louis Pomaville, Muskegon, Mich.**

[73] **Assignee: L & D Enterprise, Inc., Muskegon, Mich.**

[\*\*] **Term: 14 Years**

[21] **Appl. No.: 517,815**

[22] **Filed: Jul. 27, 1983**

[52] **U.S. Cl. .... D3/38; D2/400; D22/14**

[58] **Field of Search ..... D3/36-38; D22/14; D2/400; 224/253, 252, 269, 920; 43/55; D8/395; 206/315.11**

[56] **References Cited**

**U.S. PATENT DOCUMENTS**

D. 263,519	3/1982	Ader	.....	D22/14
2,999,621	9/1961	Liser	.....	206/315.11
3,148,811	9/1964	Foltz	.....	224/920
3,151,790	10/1964	Mavrakis	.....	224/920
3,277,599	10/1966	Griffeth	.....	224/920
3,314,739	4/1967	Mendelson	.....	D3/30.1

3,638,843 2/1972 Ortynski ..... 206/315.11

**FOREIGN PATENT DOCUMENTS**

2639990 3/1976 Fed. Rep. of Germany ..... 224/252

*Primary Examiner*—George P. Word

*Attorney, Agent, or Firm*—Miller, Morriss and Pappas

[57] **CLAIM**

The ornamental design for a fly box, as shown and described.

**DESCRIPTION**

FIG. 1 is a perspective view of a fly box showing my new design with the box portion pulled down and the lid partially opened;

FIG. 2 is a top plan view of the fly box in the closed position;

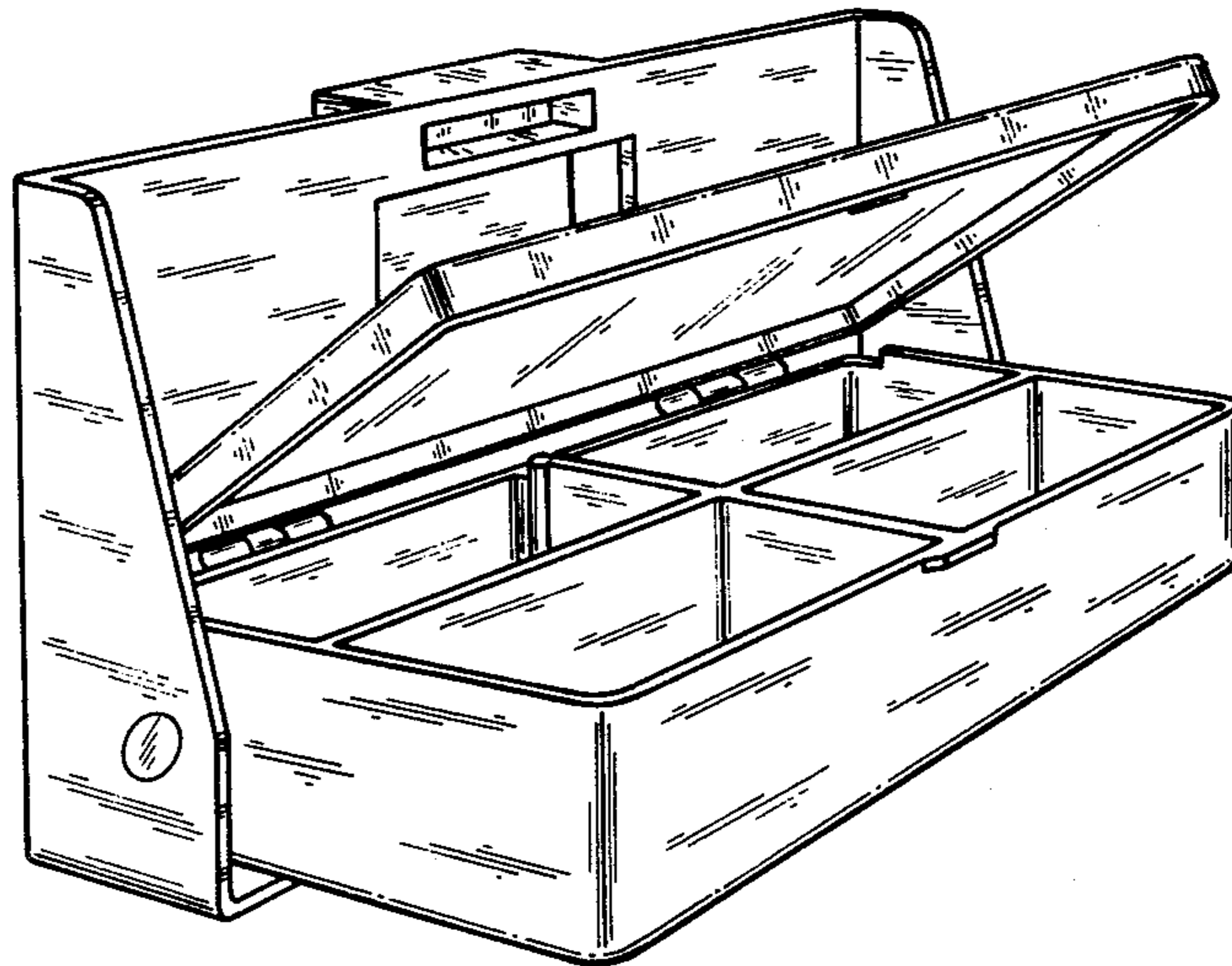
FIG. 3 is a front elevational view of FIG. 2;

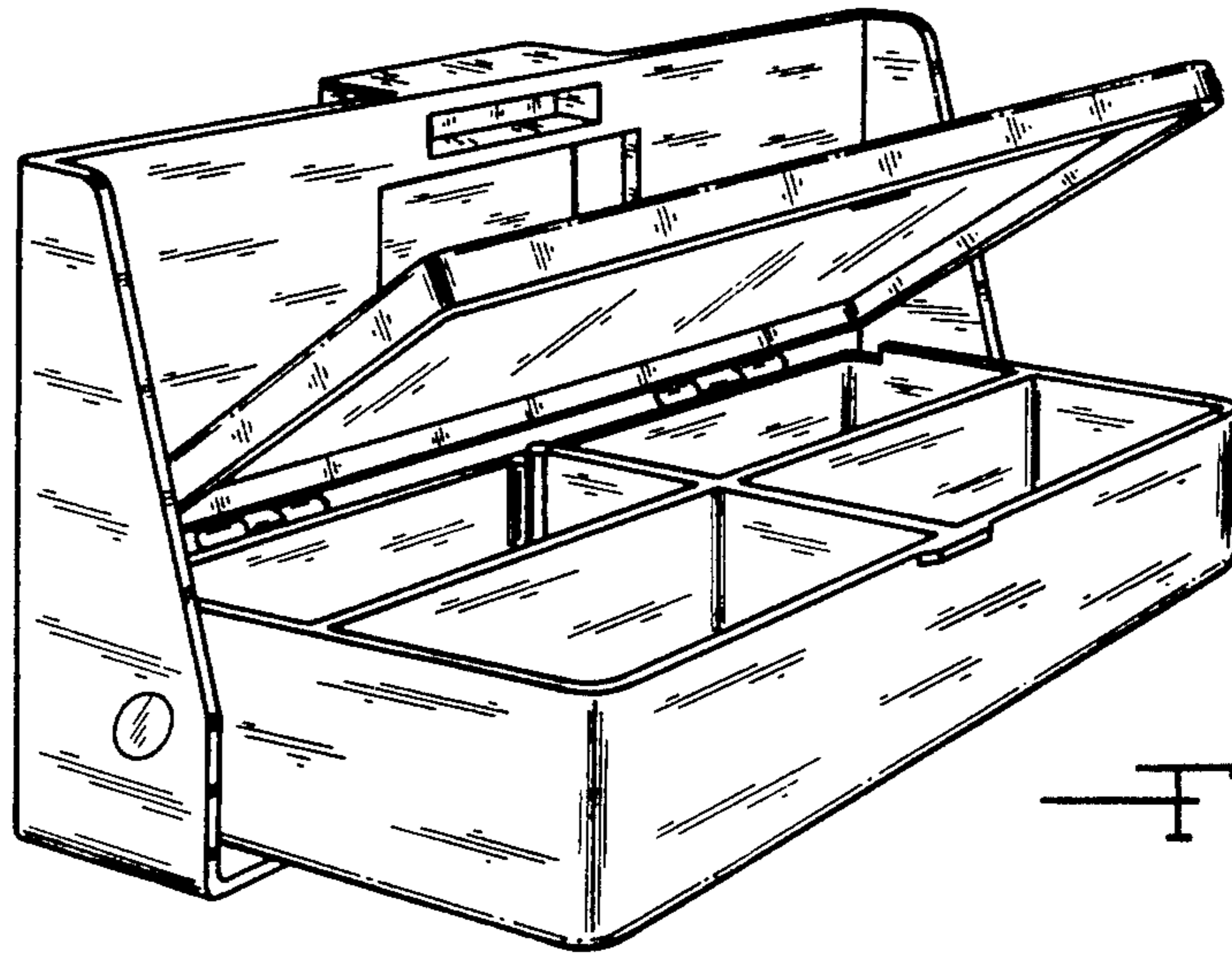
FIG. 4 is a bottom plan view thereof;

FIG. 5 is a left side elevational view the opposite side being a mirror image thereof;

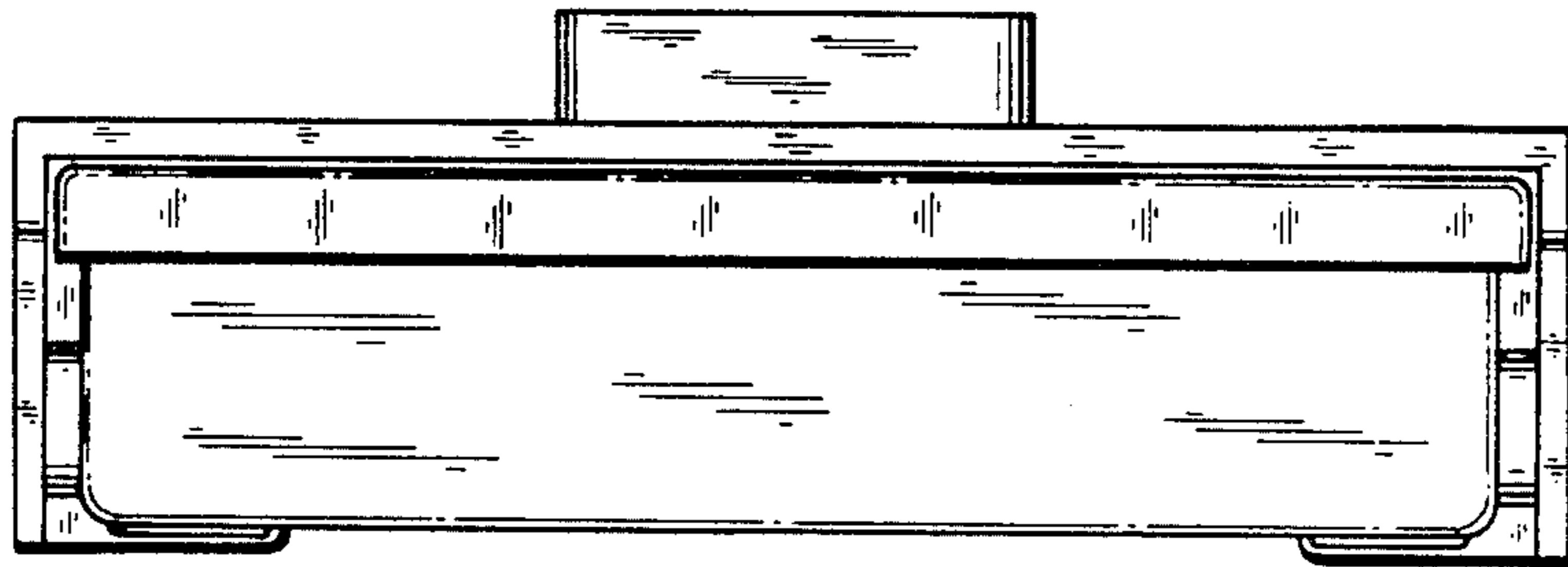
FIG. 6 is a rear elevational view thereof; and

FIG. 7 is a top plan view thereof with box portion tilted out.

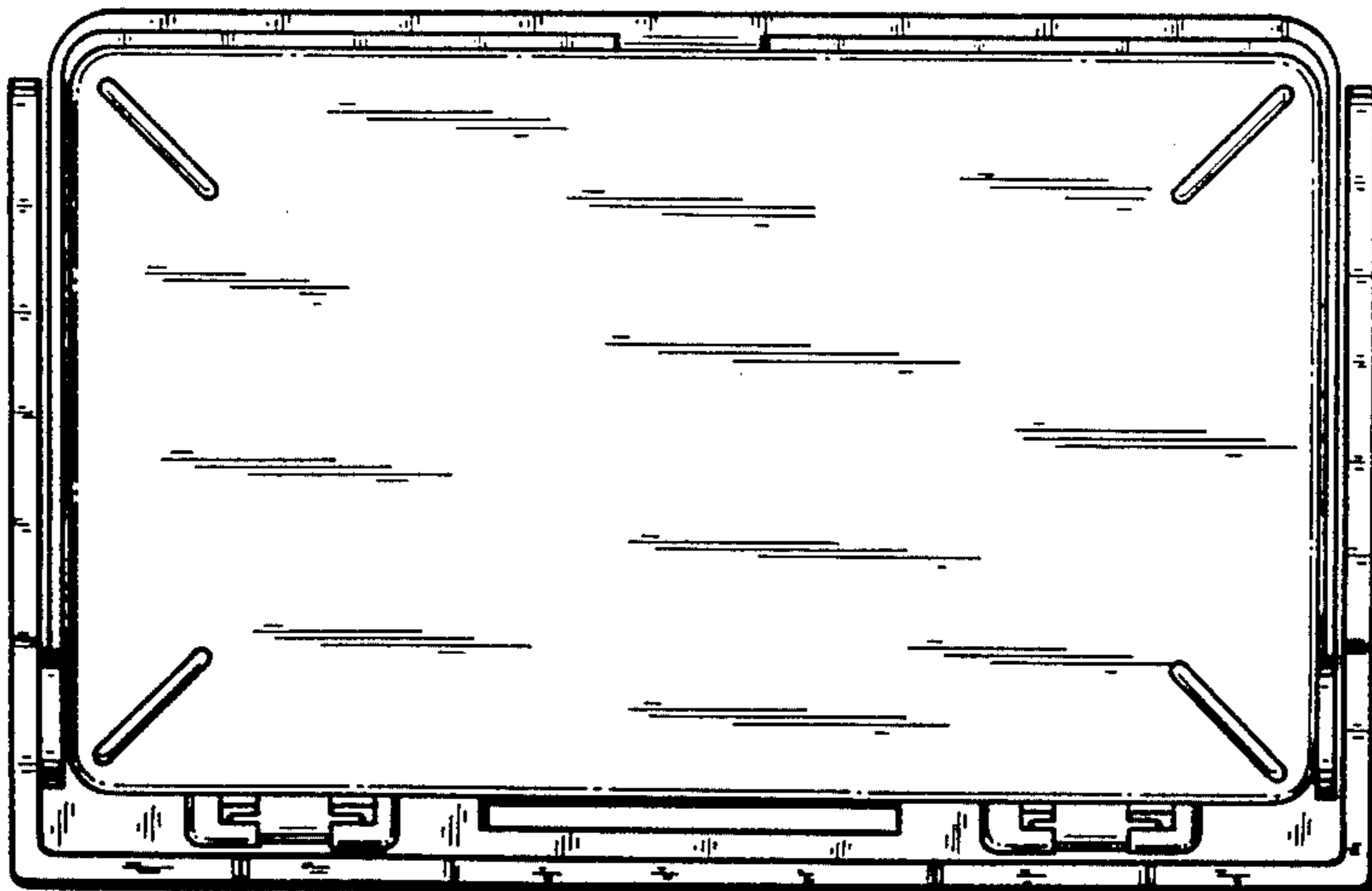




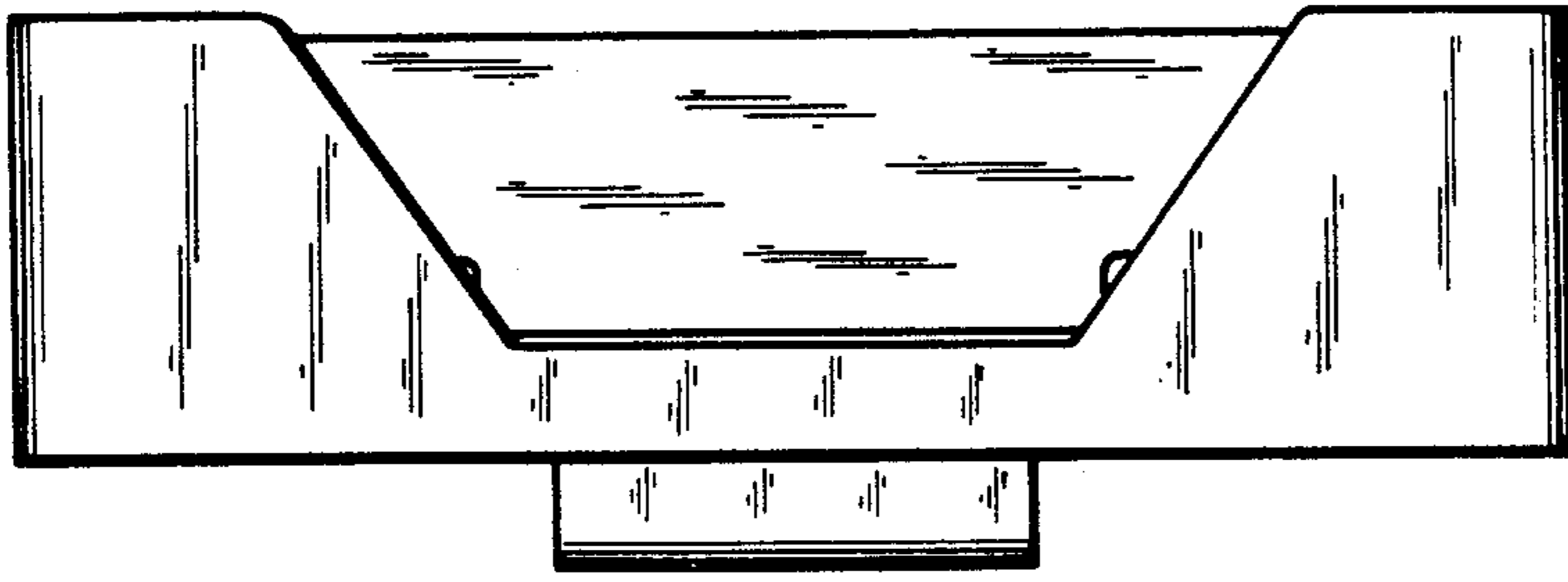
—FIG. 1



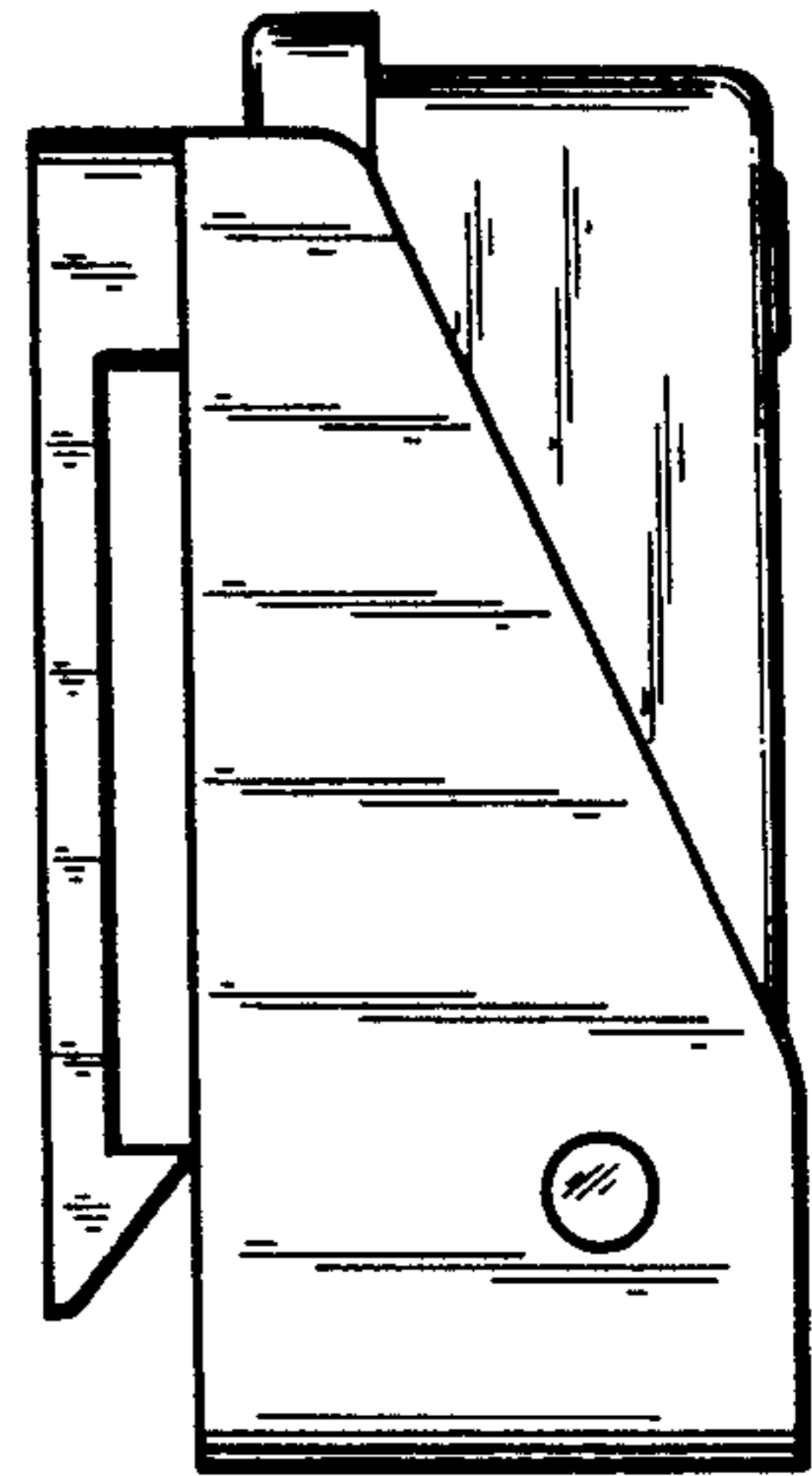
—FIG. 2



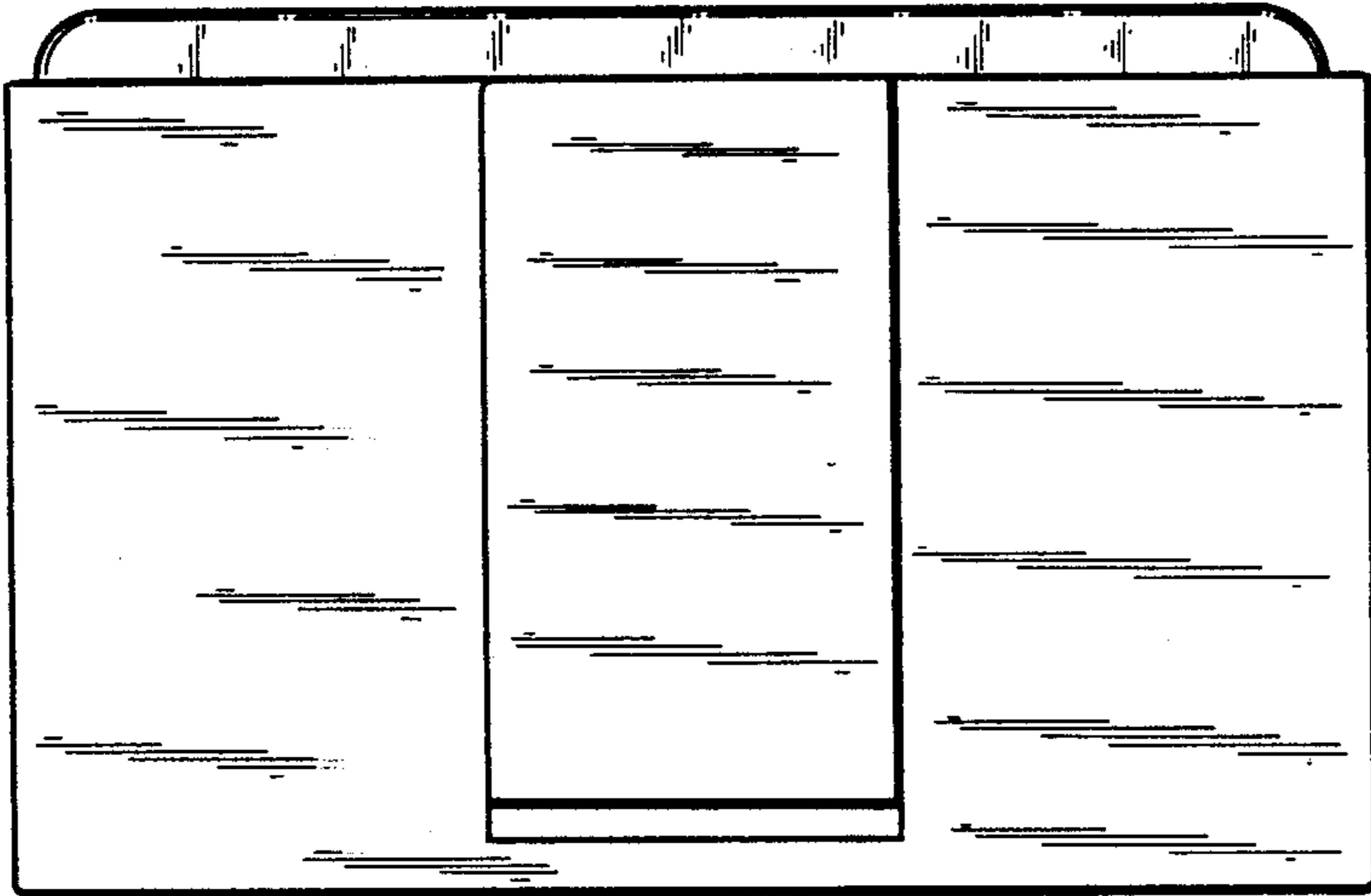
—FIG. 3



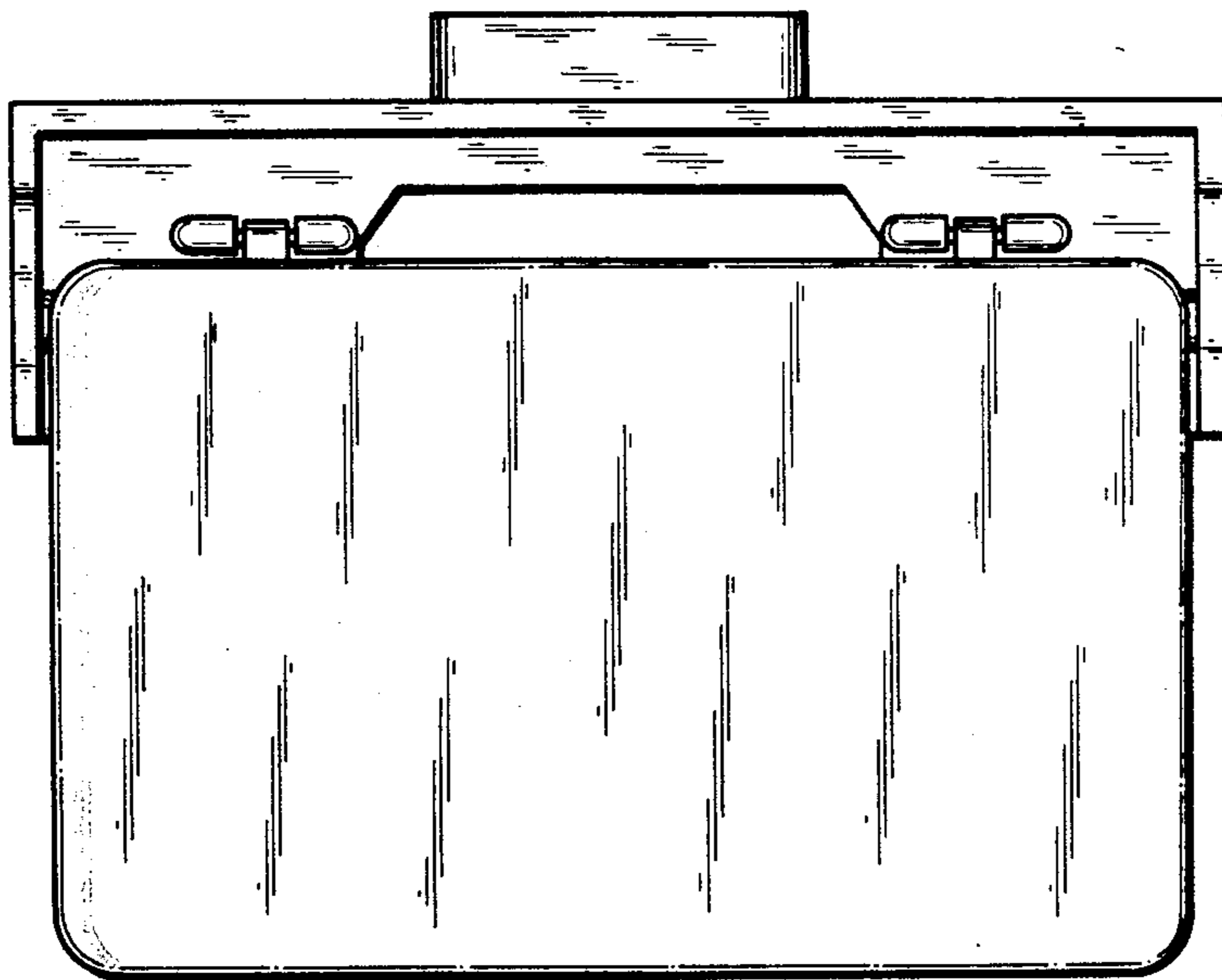
—FIG. 4



—FIG. 5



—FIG. 6



—FIG. 7