

[54] GANGWAY LADDER OR SIMILAR ARTICLE

[76] Inventor: Tsiung S. Tseng, No. 707, 3-4-28, Sakurazaka, Chuo-Ku, Fukuoka City 810, Japan

[\*\*] Term: 14 Years

[21] Appl. No.: 500,959

[22] Filed: Jun. 3, 1983

[52] U.S. Cl. .... D34/32

[58] Field of Search ..... D34/32; 14/69.5, 71.1

[56] References Cited

U.S. PATENT DOCUMENTS

D. 220,673	5/1971	Holbrook .....	D34/32
2,478,177	8/1984	Beutel et al. ....	14/71.1
2,641,785	6/1953	Pitts et al. ....	14/71.1
3,953,980	5/1976	Bennett .....	14/71.1
4,035,861	7/1977	Edge .....	14/71.1

FOREIGN PATENT DOCUMENTS

2814333 10/1978 Fed. Rep. of Germany ..... 14/69.5  
1236447 6/1971 United Kingdom ..... 351/14

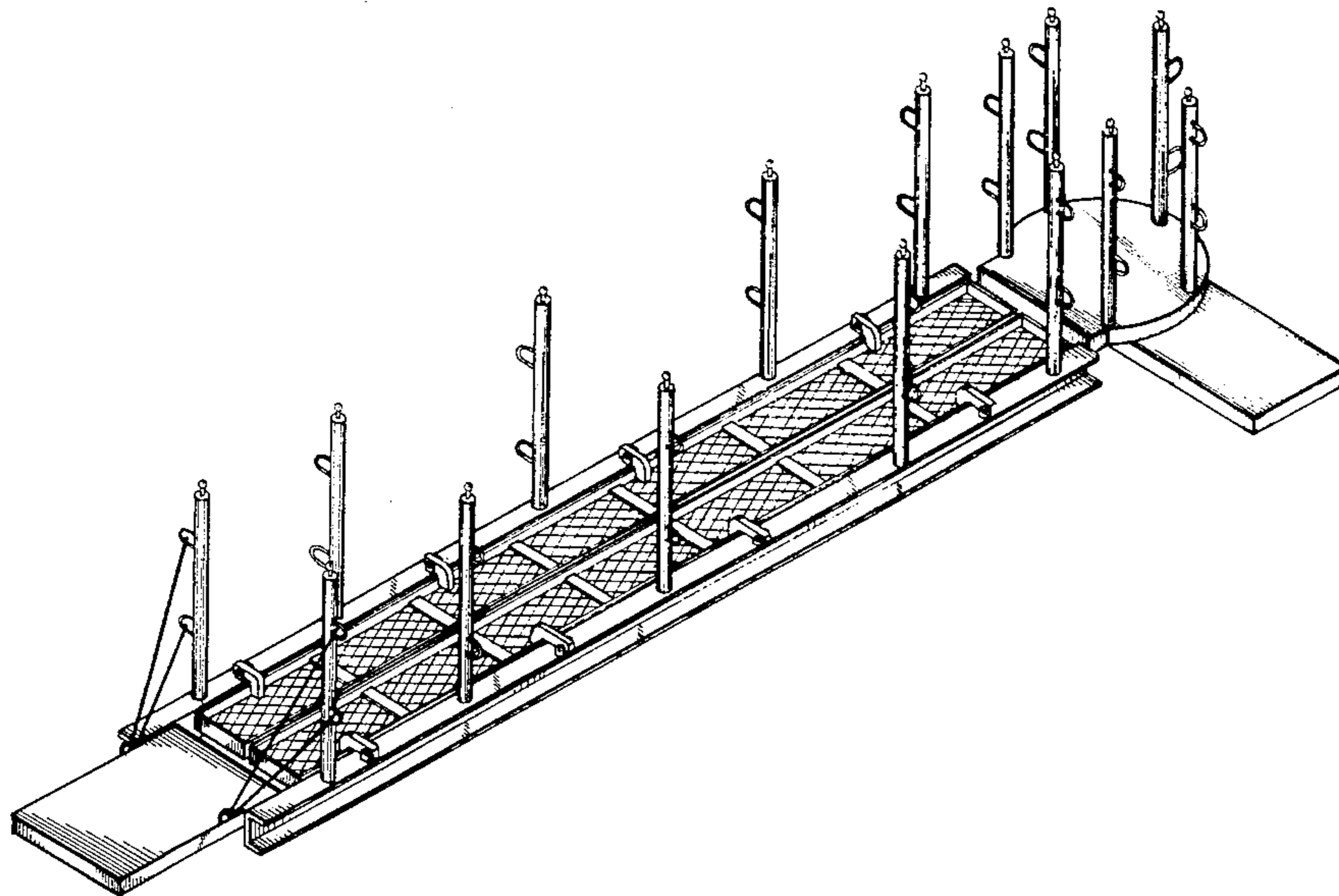
Primary Examiner—Wallace R. Burke  
Assistant Examiner—Brian N. Vinson  
Attorney, Agent, or Firm—Finnegan, Henderson, Farabow, Garrett & Dunner

[57] CLAIM

The ornamental design for a gangway ladder or similar article, as shown.

DESCRIPTION

FIG. 1 is a perspective view of a gangway ladder showing my new design;  
FIG. 2 is a front elevational view thereof;  
FIG. 3 is a rear elevational view thereof;  
FIG. 4 is a top plan view thereof;  
FIG. 5 is a bottom plan view thereof;  
FIG. 6 is a left side elevational view thereof; and  
FIG. 7 is a right side elevational view thereof.



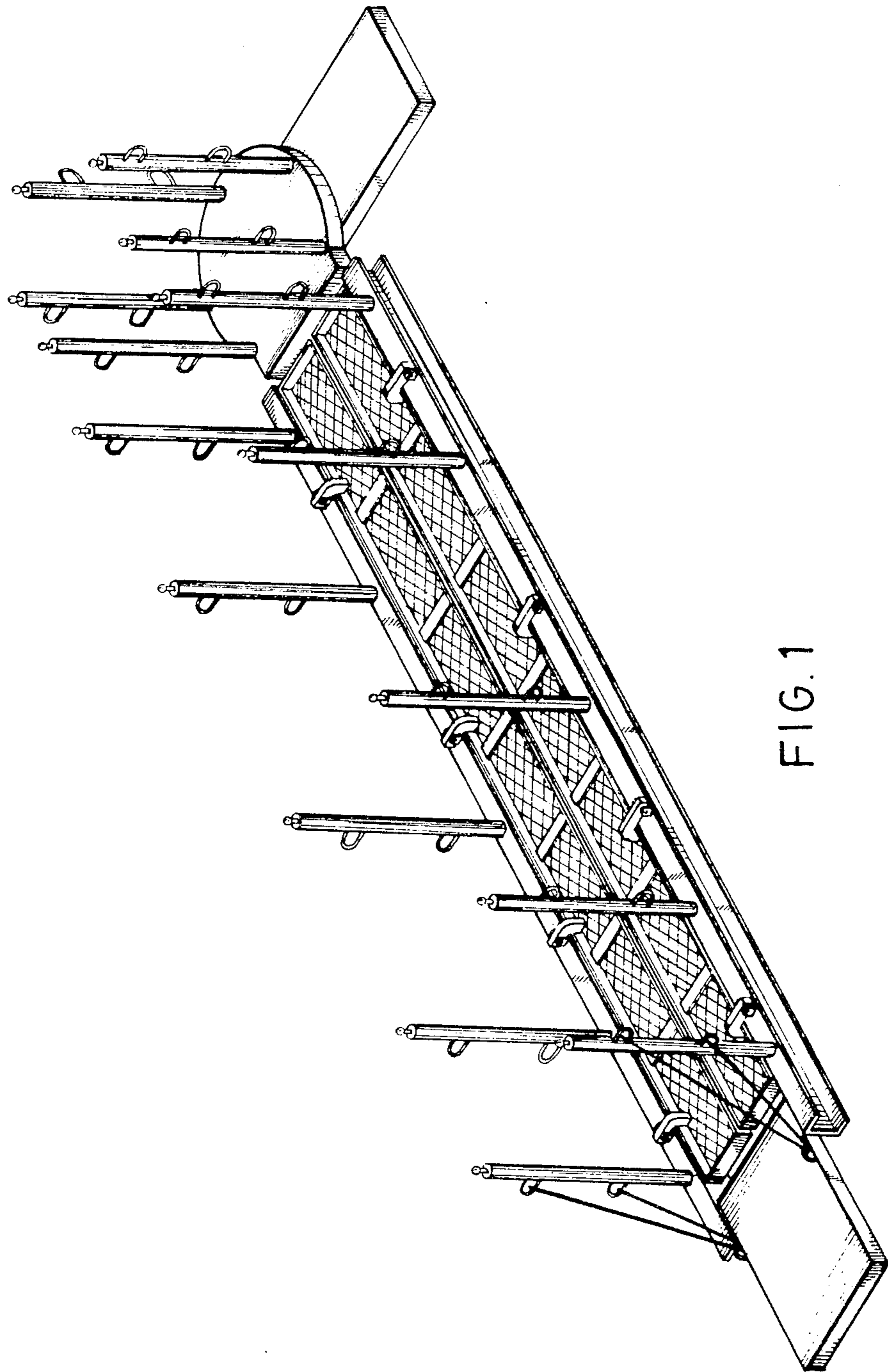


FIG. 1

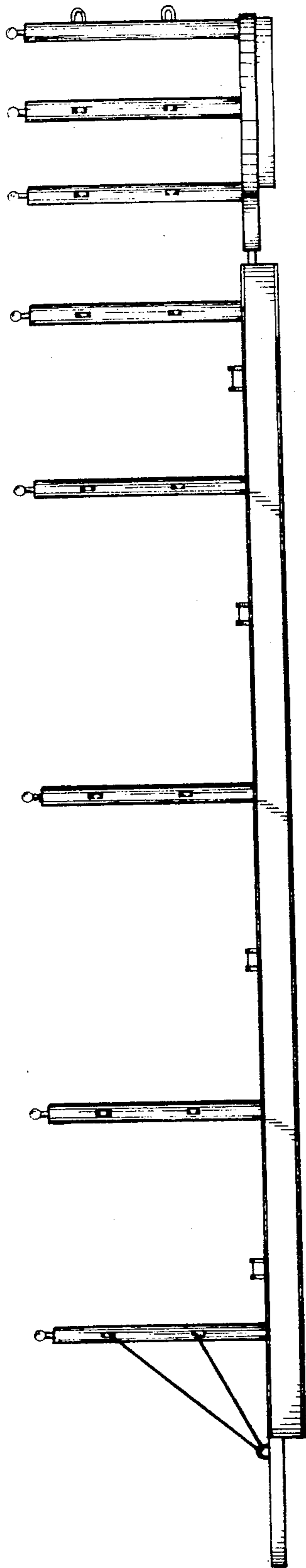


FIG. 2

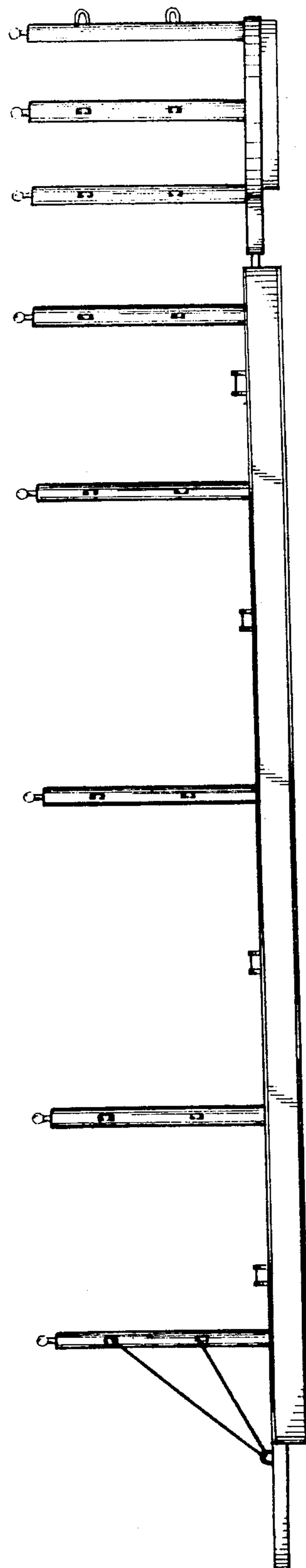


FIG. 3



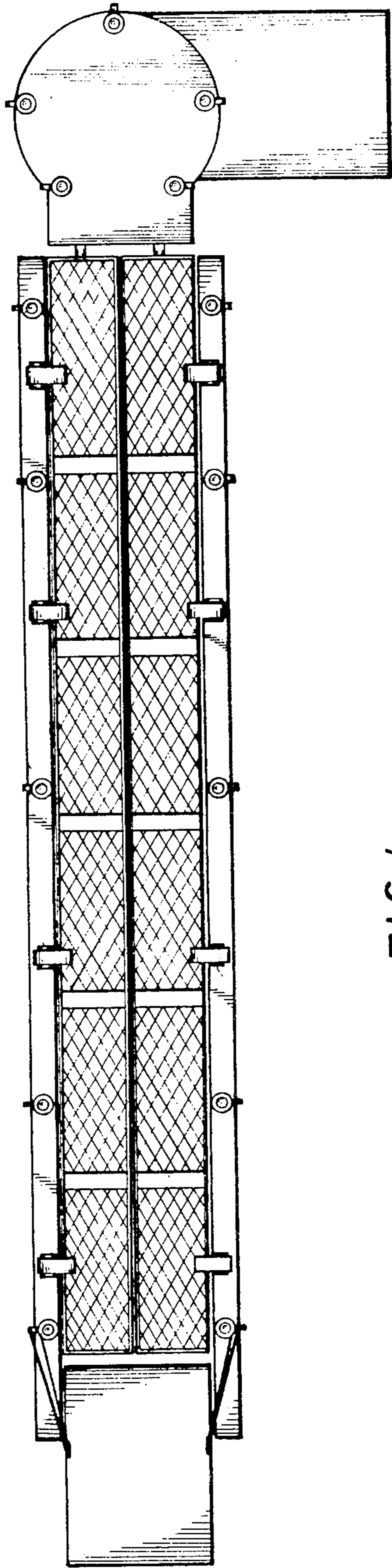


FIG. 4

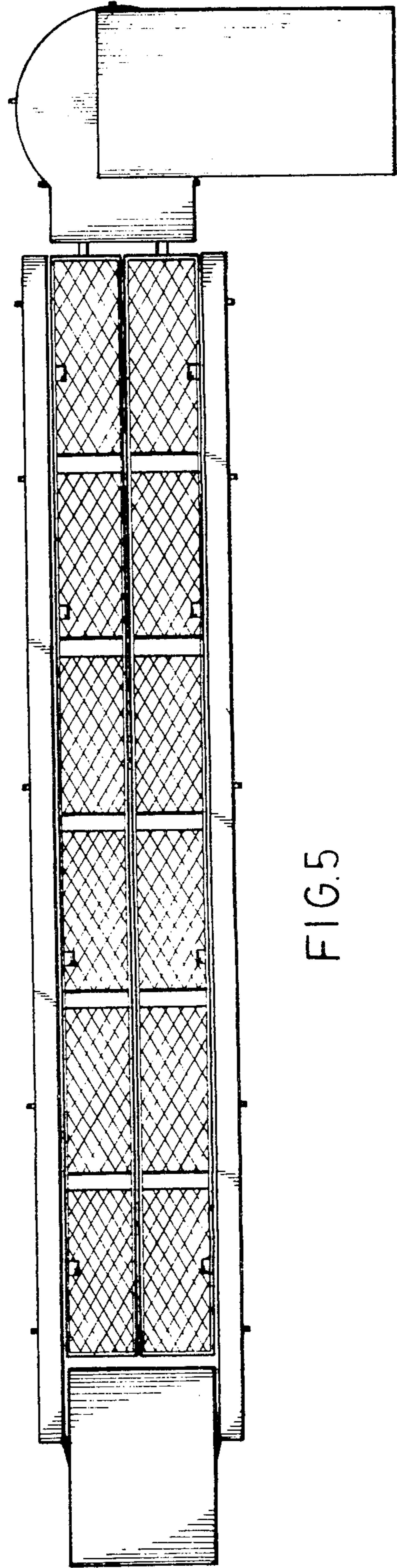


FIG. 5

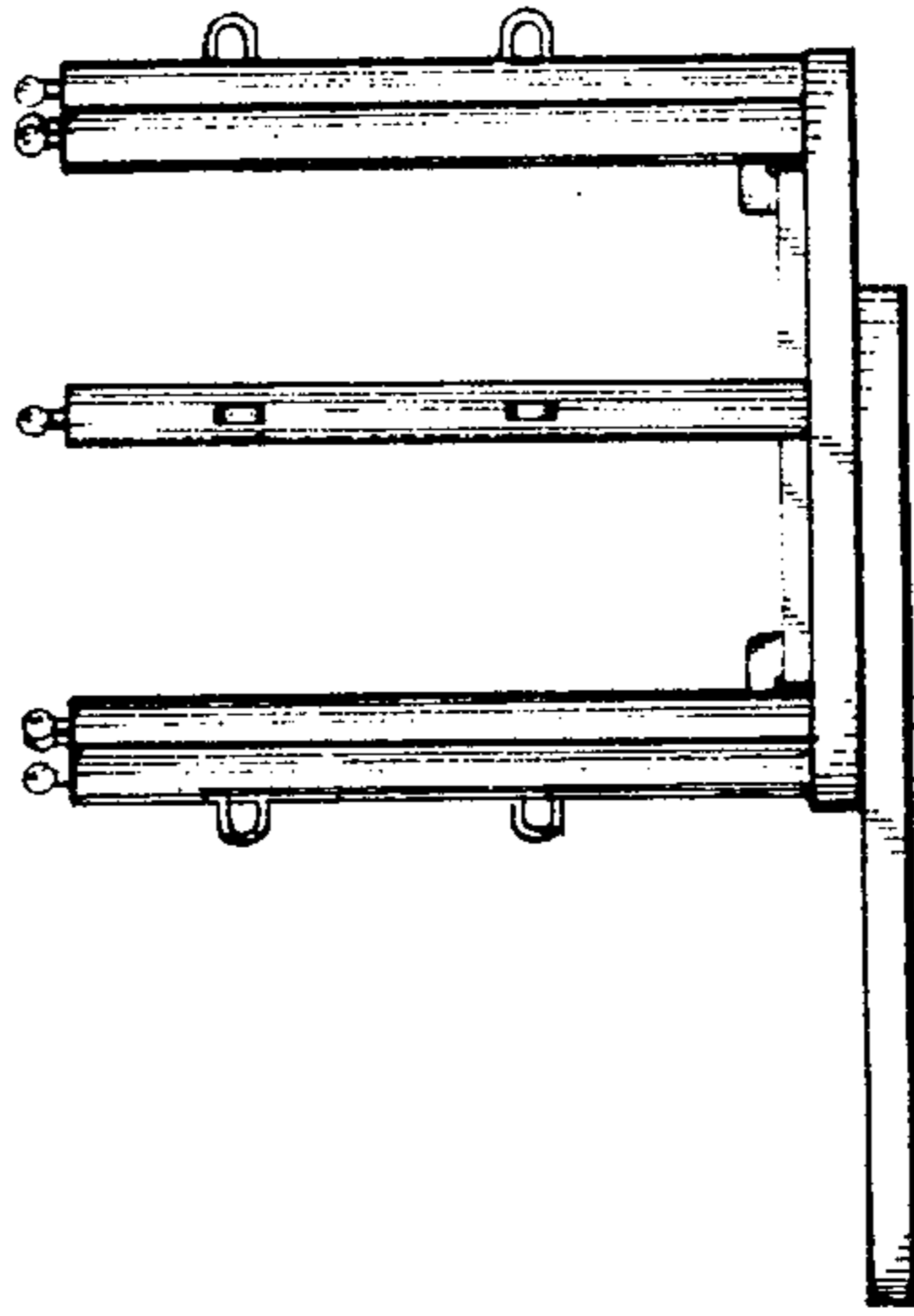


FIG. 7

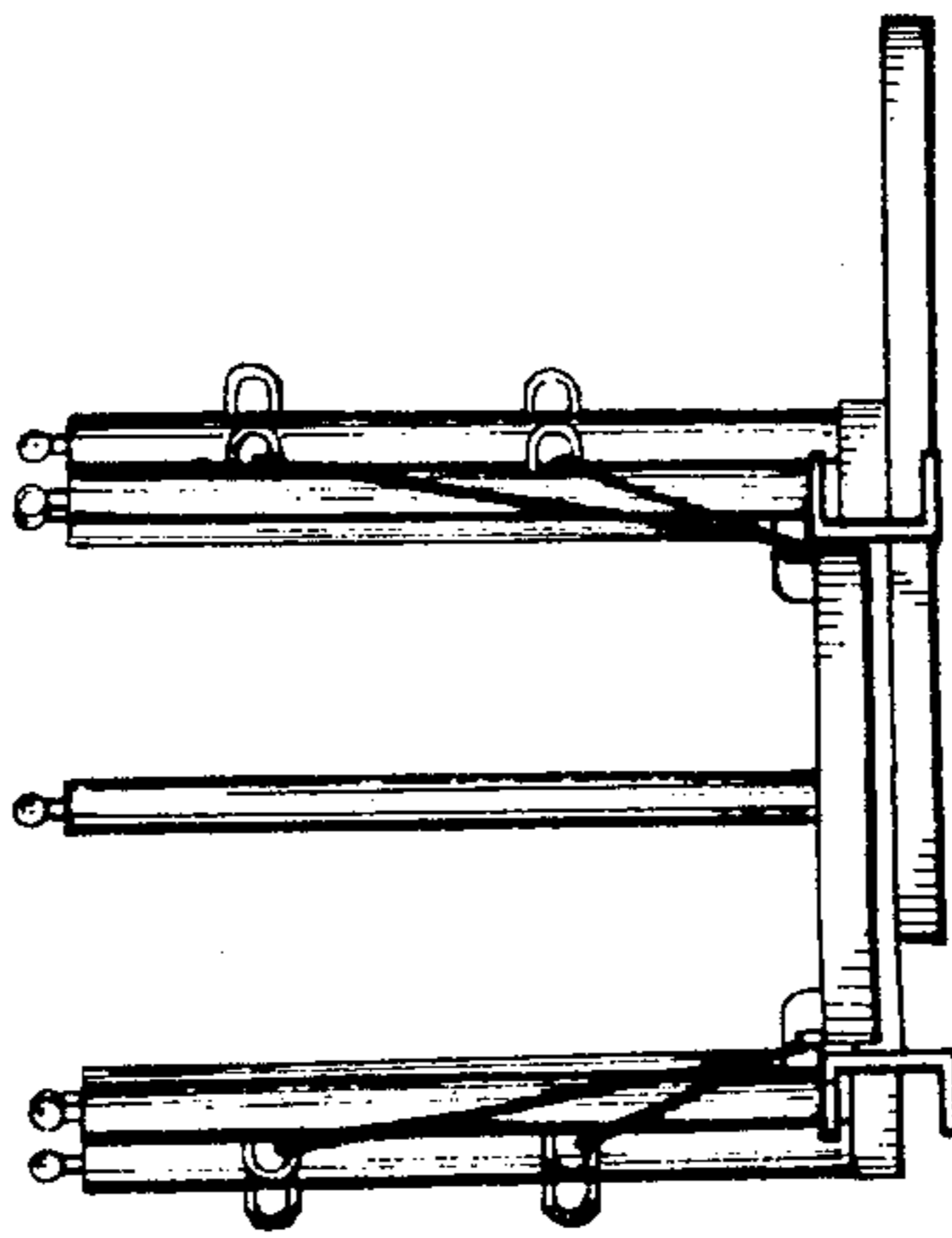


FIG. 6