

[54] GARAGE JACK

[75] Inventor: Takeshi Yamagishi, Fujinomiya, Japan

[73] Assignee: Yasui Sangyo Co., Ltd., Japan

[**] Term: 14 Years

[21] Appl. No.: 492,998

[22] Filed: May 9, 1983

[30] Foreign Application Priority Data

Mar. 16, 1983 [JP] Japan 58-10517

[52] U.S. Cl. D34/31

[58] Field of Search D34/28-32; 254/8 B

[56] References Cited

U.S. PATENT DOCUMENTS

D. 263,036 2/1982 Hung D34/31
4,131,263 12/1978 John 254/8 B

Primary Examiner—James M. Gandy
Attorney, Agent, or Firm—Poms, Smith, Lande & Rose

[57] CLAIM

The ornamental design for a garage jack, as shown and described.

DESCRIPTION

FIG. 1 is a perspective view taken from the top, rear and left side of a garage jack showing my new design with the lifting arm in lowered condition;

FIG. 2 is a perspective view similar to FIG. 1 but with the lifting arm in raised condition;

FIG. 3 is a perspective view taken from the top, front and left side thereof with the lifting arm in raised condition; and

FIG. 4 is a right side elevation view thereof with the lifting arm in raised condition.

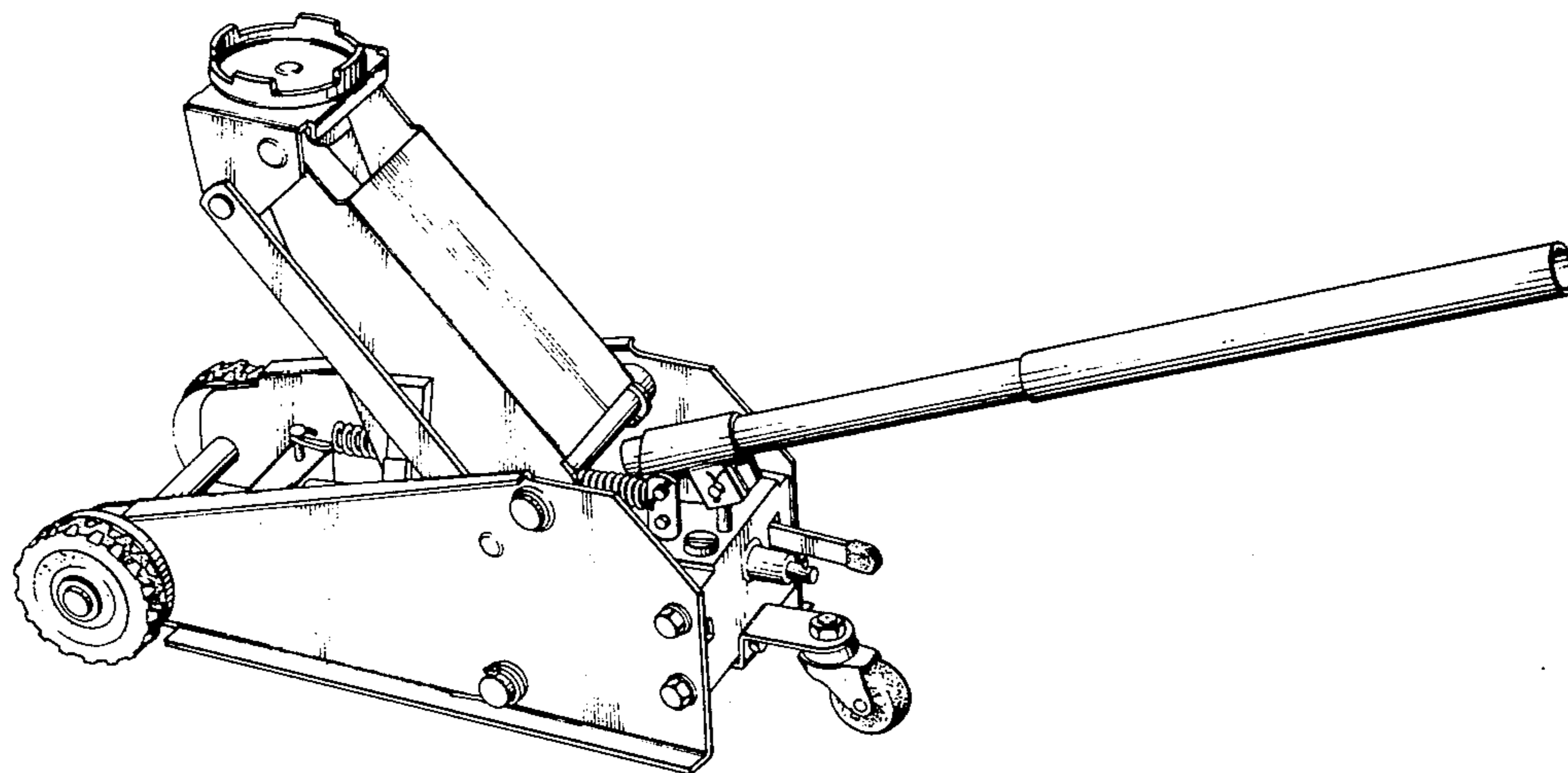


FIG. 1

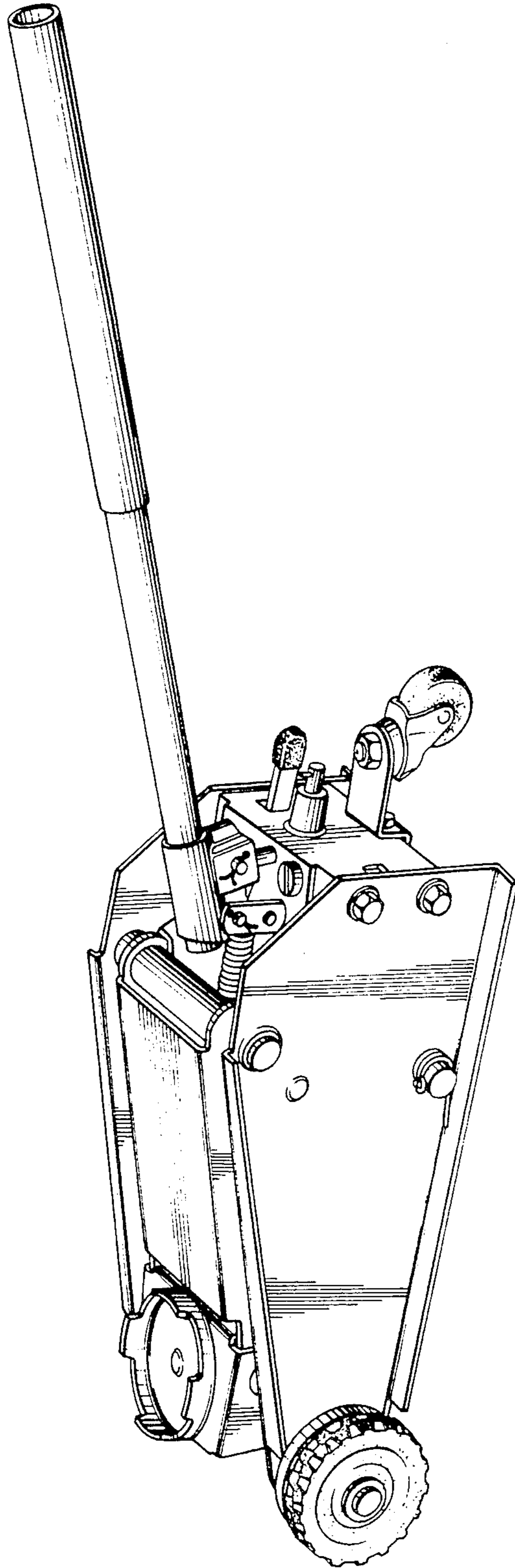


FIG. 2

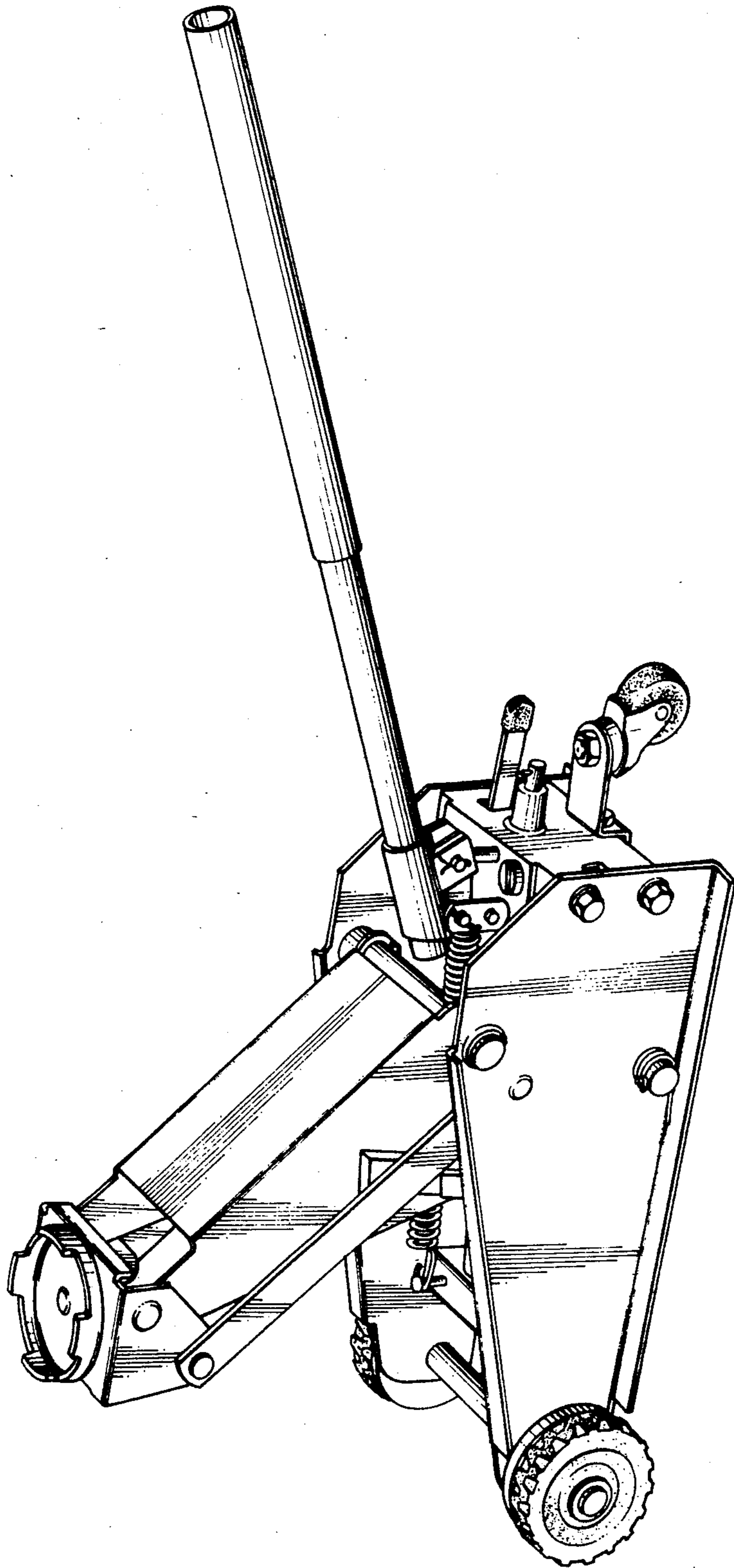


FIG. 3

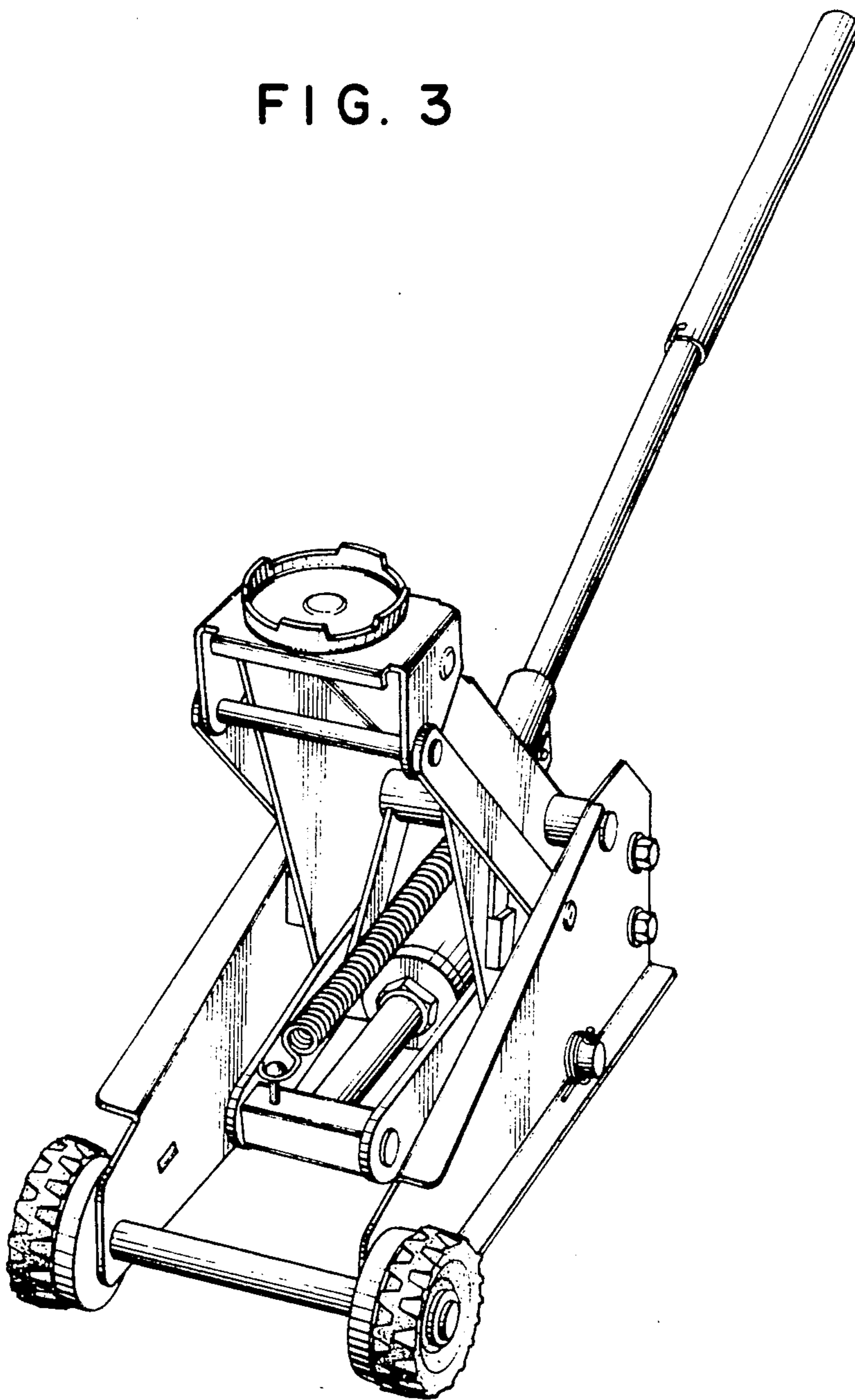


FIG. 4

