

[54] **COLLAPSIBLE TRANSPORT CART**

[76] **Inventor: Gordon N. Smith, 315 W. 3rd St. #904, Long Beach, Calif. 90802**

[**] **Term: 14 Years**

[21] **Appl. No.: 602,501**

[22] **Filed: Apr. 20, 1984**

[52] **U.S. Cl. D34/23**

[58] **Field of Search D34/12-26; 280/652, 79.2, 63.9, 87.01, 79.34, 651; D21/71; D9/432; 229/6 R, 41 R**

[56] **References Cited**

U.S. PATENT DOCUMENTS

D. 221,633	8/1971	Kotkowski	D34/23
2,563,995	8/1951	East	280/639
2,688,493	9/1954	Rosenberg	280/651
3,220,773	11/1965	Burns	280/79.2

FOREIGN PATENT DOCUMENTS

867582 10/1940 France 280/651

OTHER PUBLICATIONS

Radio Steel & Mfg. Co. Cat. p. 2, Model 12, Radio Flyer Rodeo.

Primary Examiner—James M. Gandy

Assistant Examiner—Kay H. Chin

Attorney, Agent, or Firm—Hubbard, Stetina & Brunda

[57] **CLAIM**

The ornamental design for a collapsible transport cart, as shown and described.

DESCRIPTION

FIG. 1 is a right side perspective view of a collapsible transport cart showing my new design;
 FIG. 2 is a top plan view thereof;
 FIG. 3 is a left side elevational view thereof;
 FIG. 4 is a front end elevational view thereof;
 FIG. 5 is a rear end elevational view thereof;
 FIG. 6 is a front end elevational view thereof in collapsed condition.

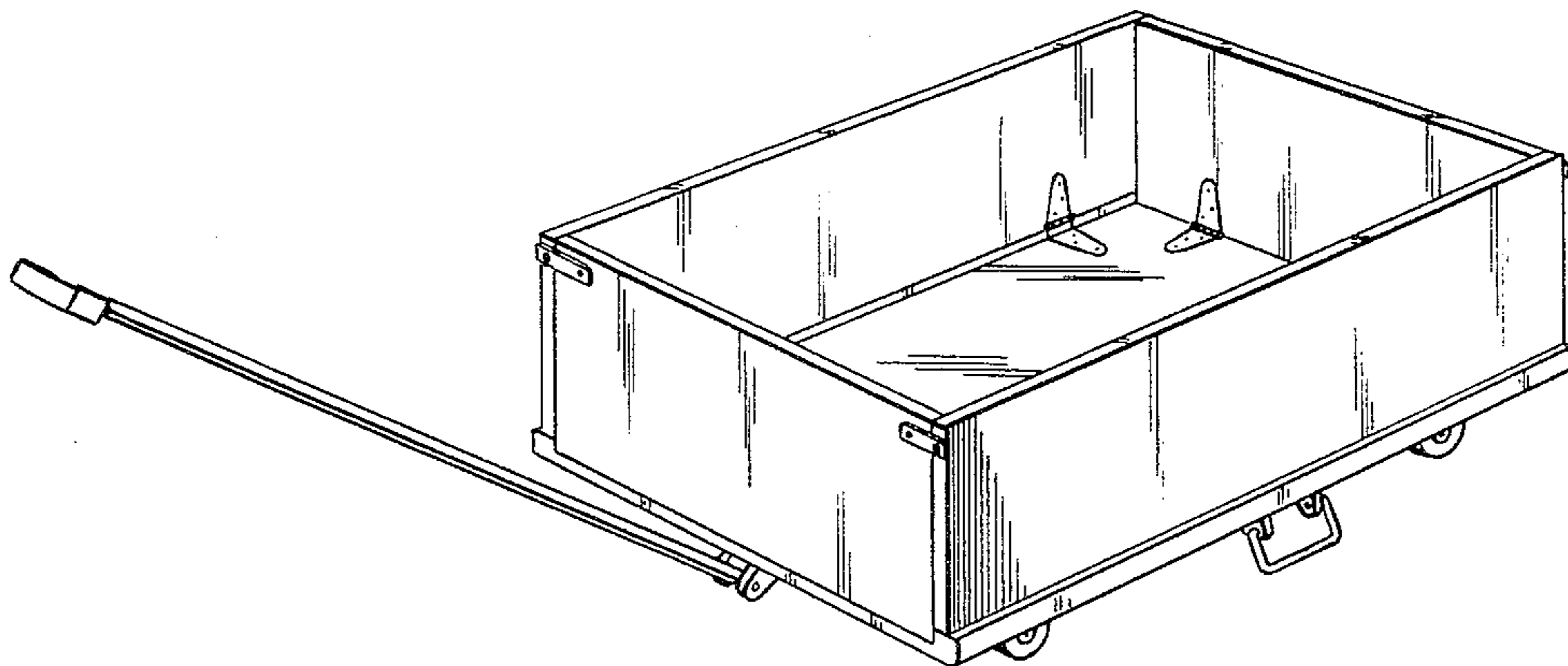


Fig. 1

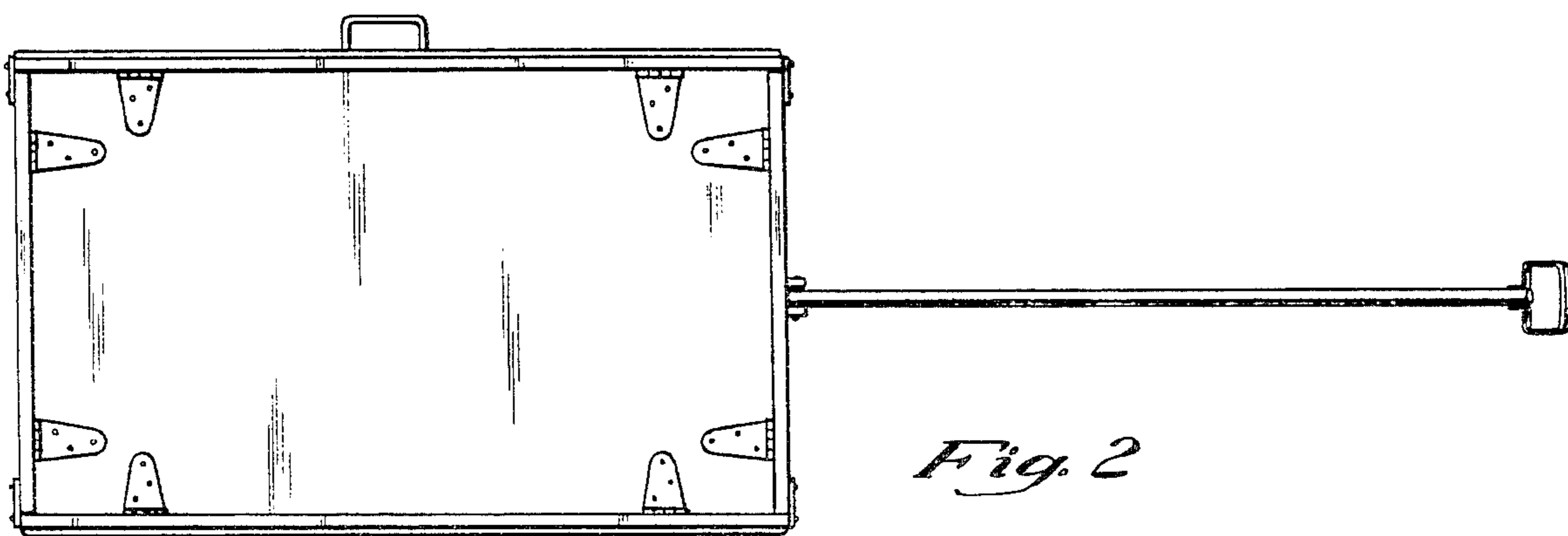
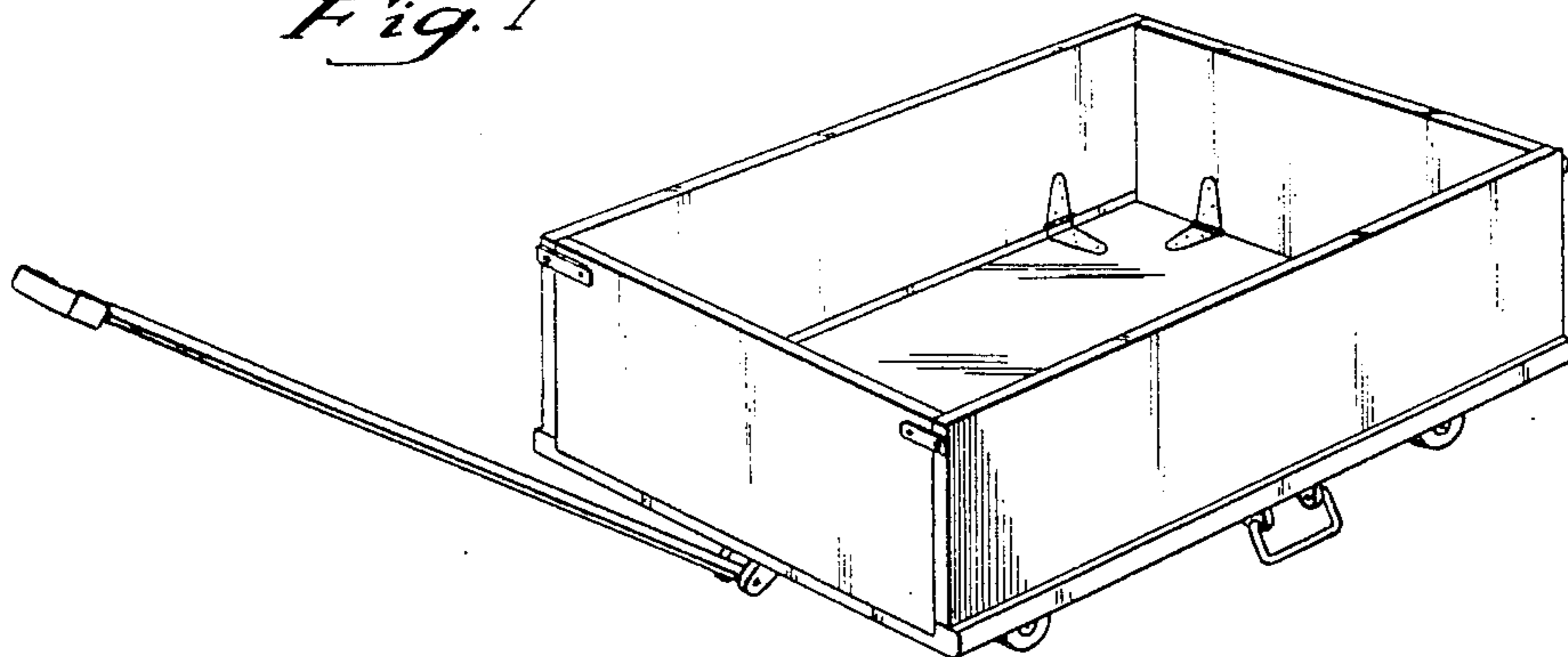


Fig. 2

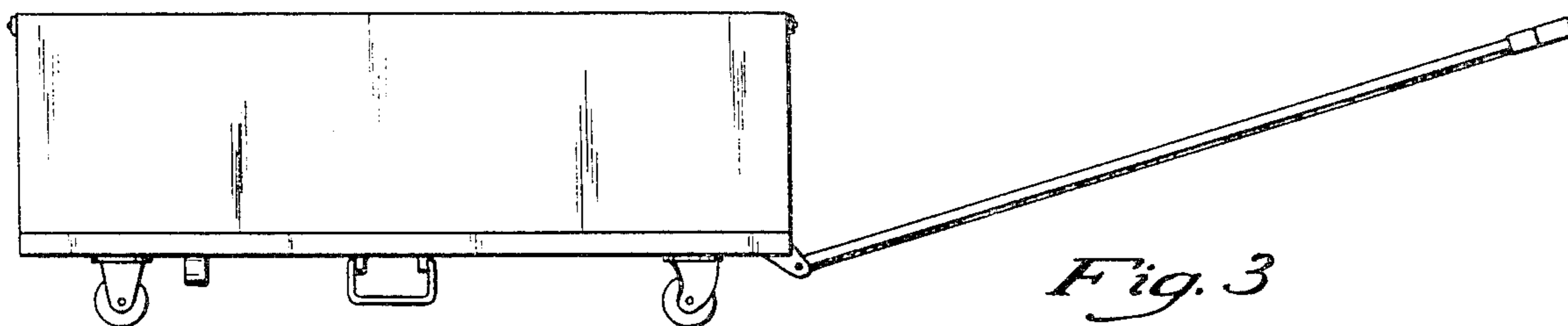


Fig. 3

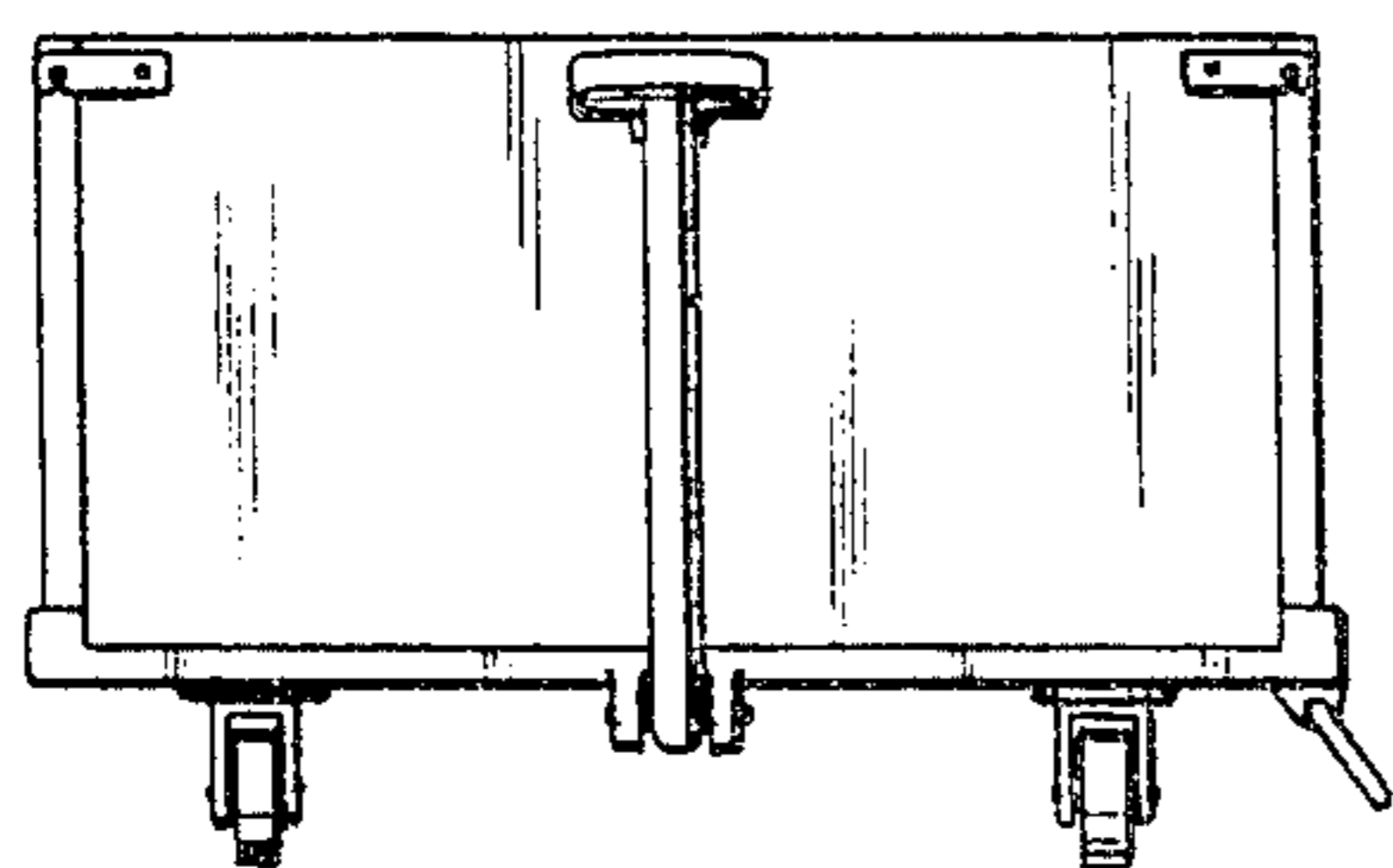


Fig. 4

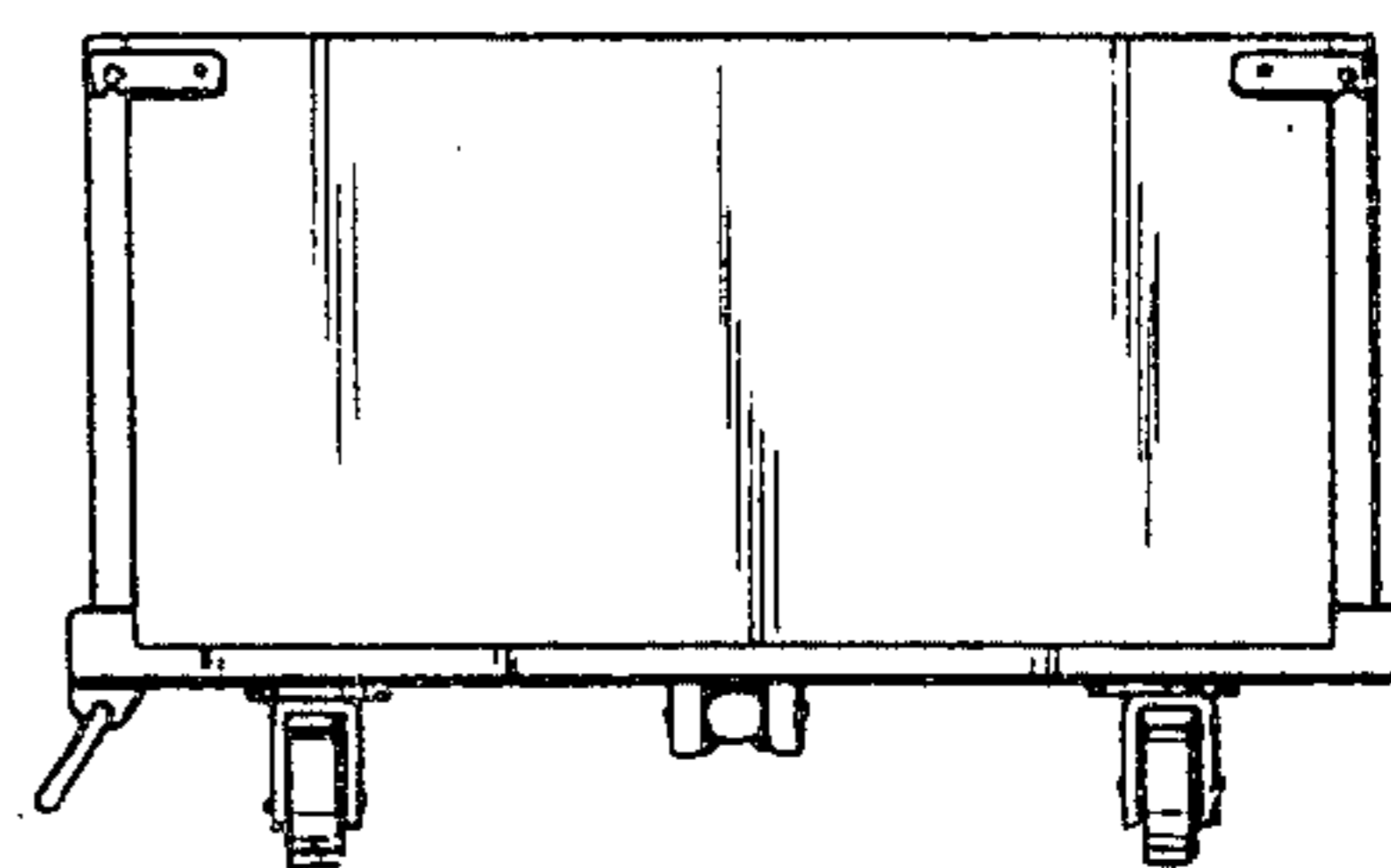


Fig. 5

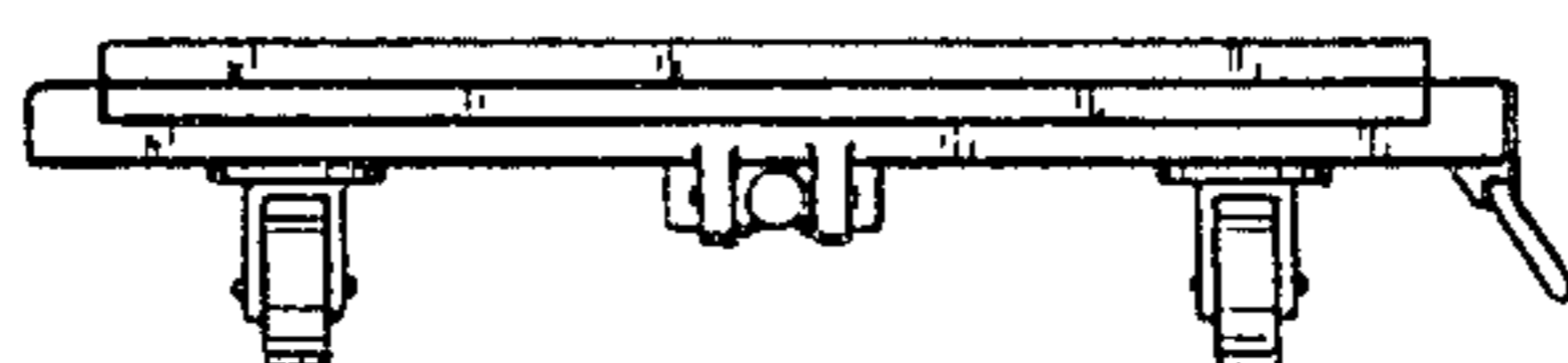


Fig. 6