

[54] **CART**

[75] **Inventor: John T. Cahoon, Ringgold, Ga.**

[73] **Assignee: E-Z Tote Manufacturing, Inc.,  
Chattanooga, Tenn.**

[\*\*] **Term: 14 Years**

[21] **Appl. No.: 663,966**

[22] **Filed: Oct. 23, 1984**

[52] **U.S. Cl. .... D34/17; D6/451;  
D6/487**

[58] **Field of Search ..... D34/11-27;  
280/47.34, 79.1 R, 79.1 A, 79.2, 79.3; D6/487,  
462, 358, 451**

[56] **References Cited**

**U.S. PATENT DOCUMENTS**

D. 163,094	5/1951	Connor	280/79.3
D. 232,165	7/1974	Hiller	D34/17
1,460,928	7/1923	Tilden	280/79.3
4,349,213	9/1982	Hirsch	280/79.3

**OTHER PUBLICATIONS**

The Malibu Collection by Heinz Meier.  
Hammacher/Schlemmer, Spr. & Summer 1976, p. 3,  
The Pipe Line Weatherproof Furniture, Lounge Chair  
& Ottoman.

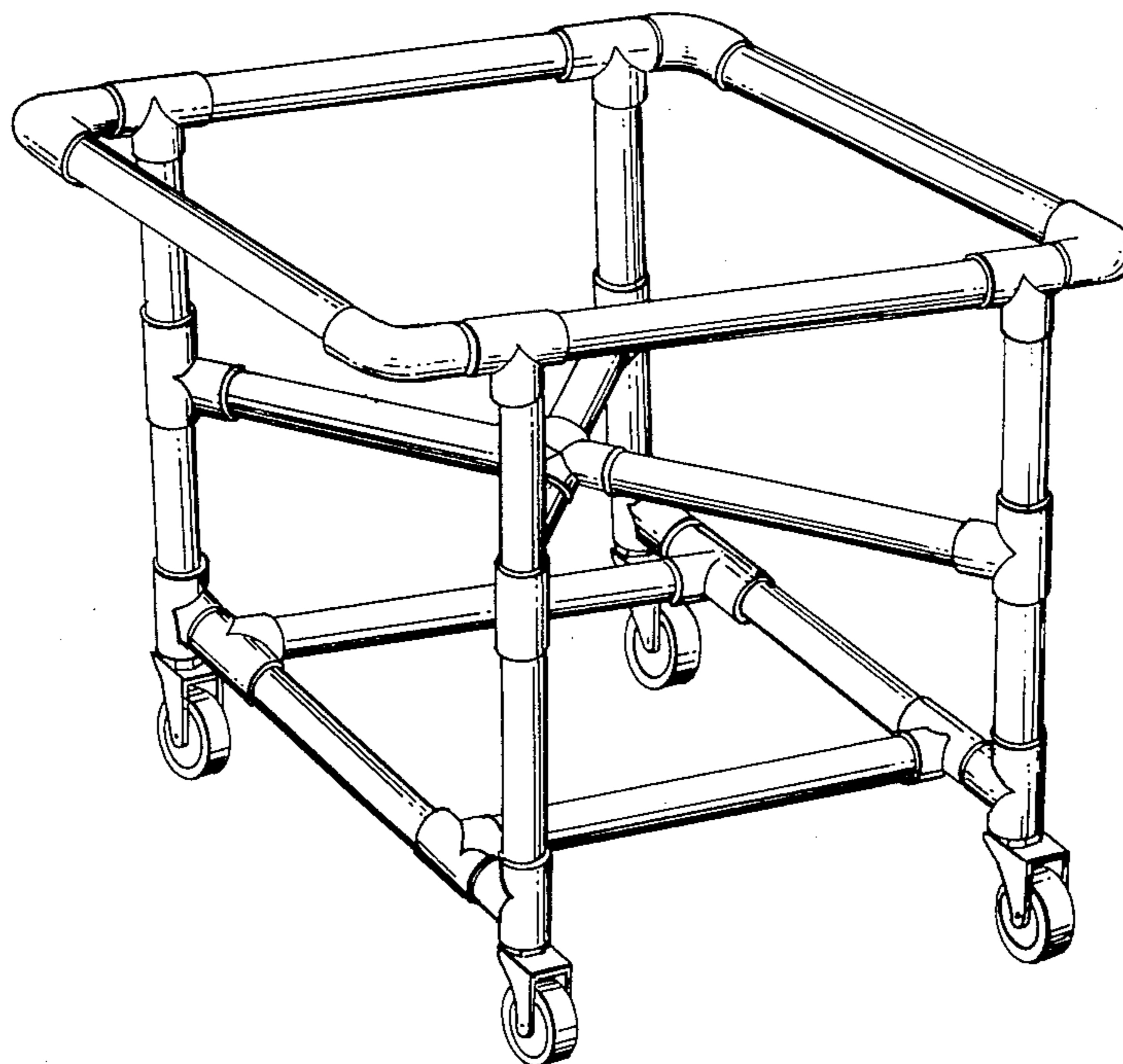
*Primary Examiner*—James M. Gandy  
*Assistant Examiner*—Kay H. Chin  
*Attorney, Agent, or Firm*—Alan Ruderman

[57] **CLAIM**

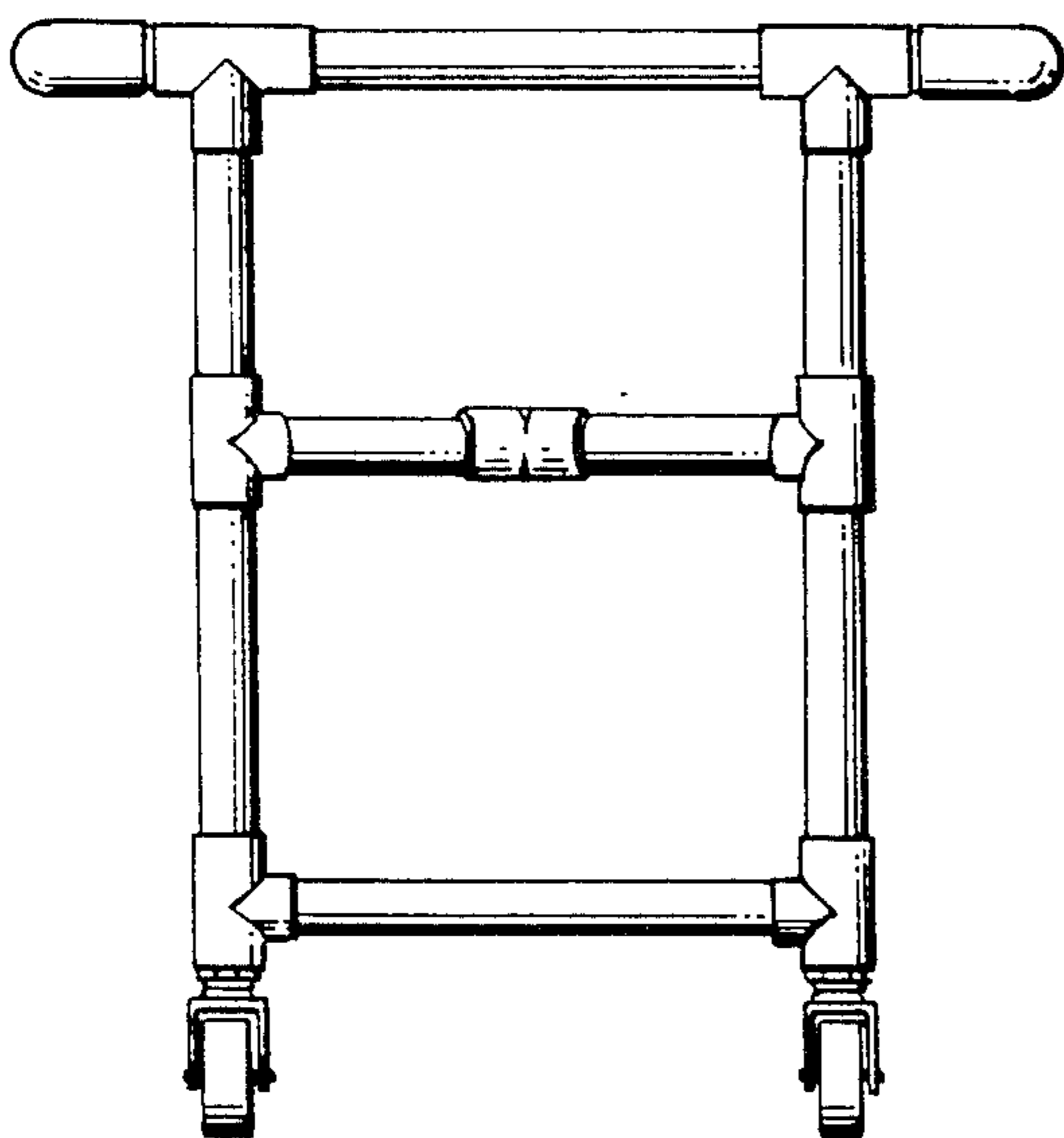
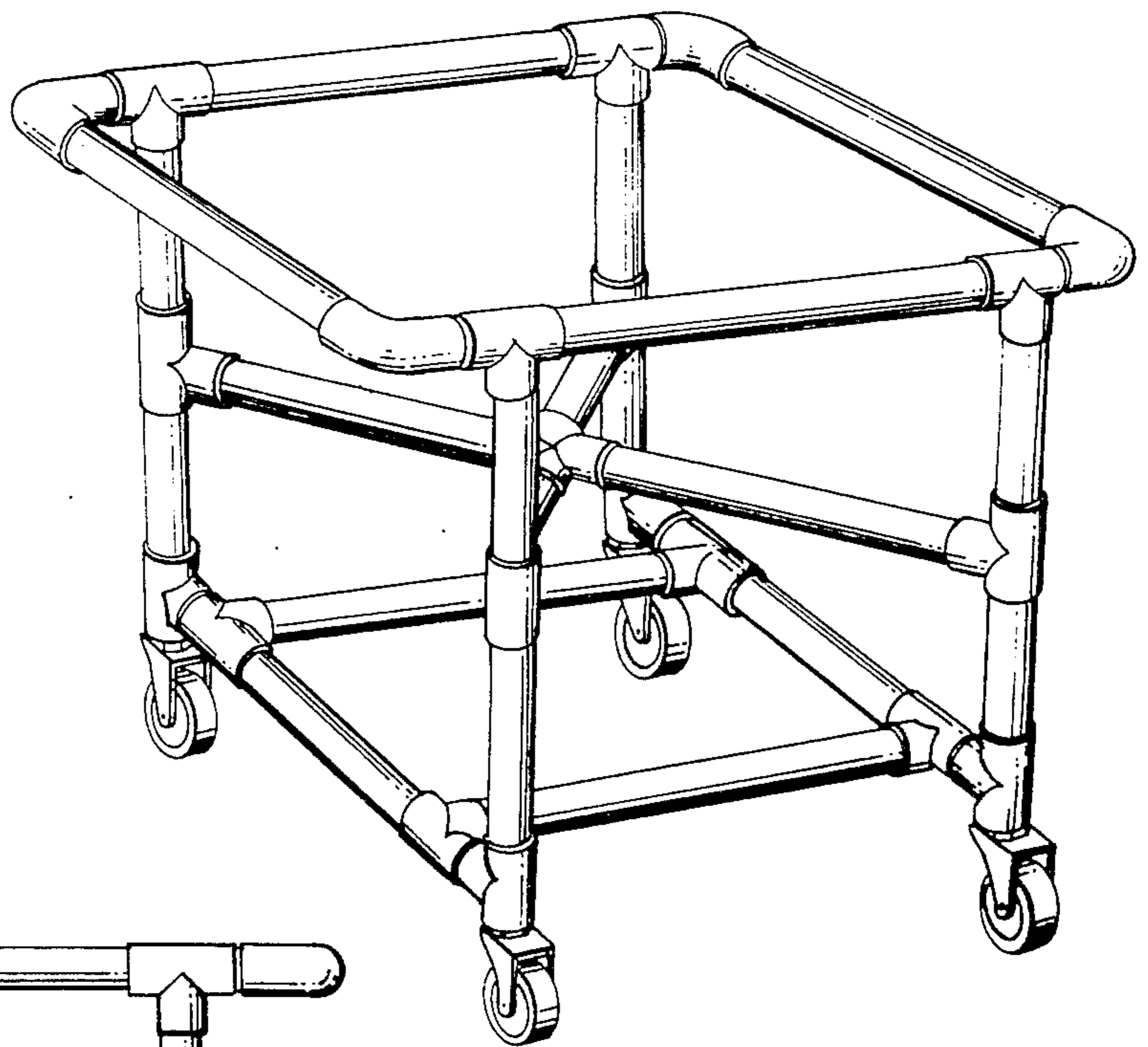
The ornamental design for a cart, as shown and described.

**DESCRIPTION**

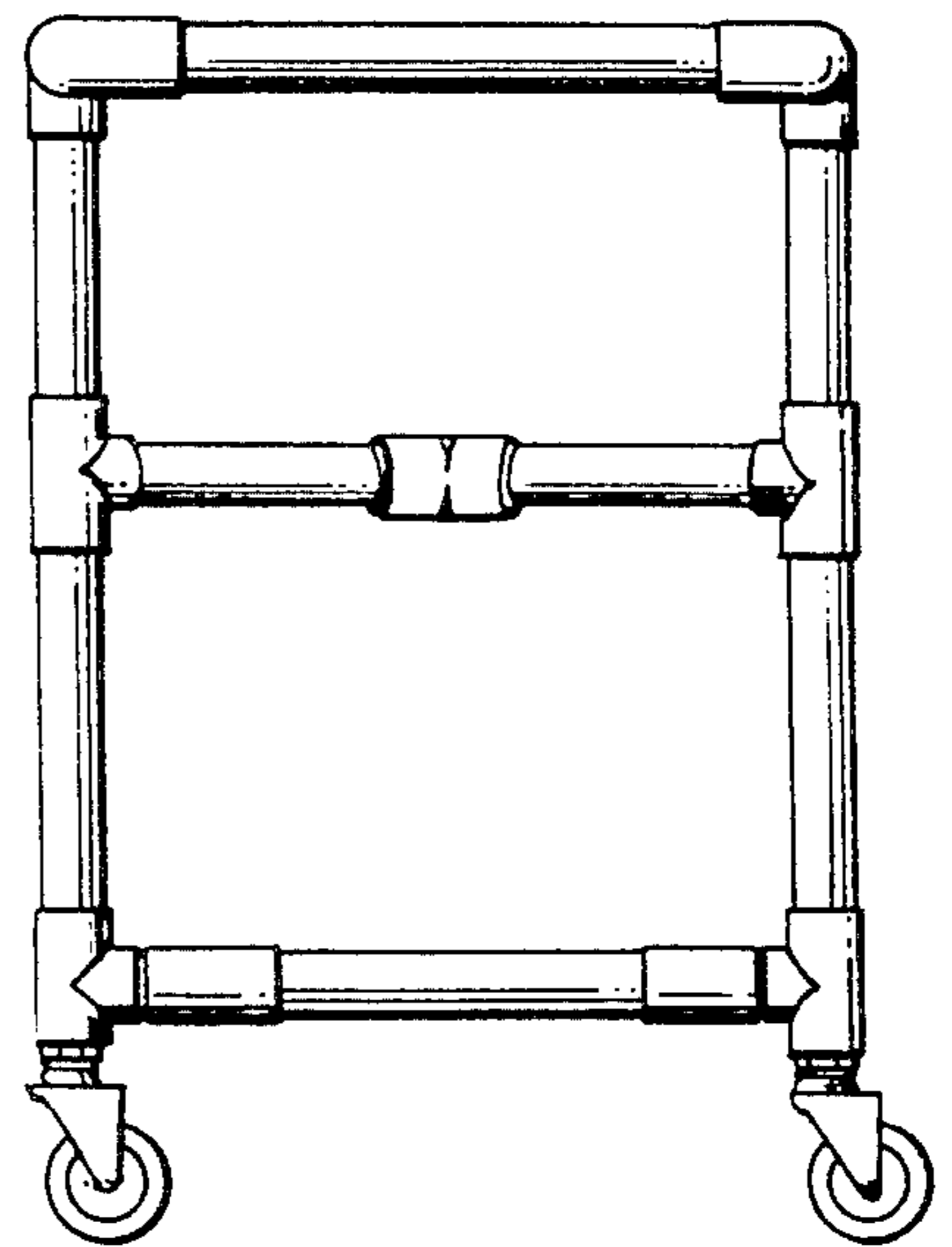
FIG. 1 is a front perspective view of a cart showing my new design;  
FIG. 2 is a front elevational view thereof, the rear being a mirror image of that shown;  
FIG. 3 is a side elevational view thereof, the opposite side being a mirror image of that shown;  
FIG. 4 is a top plan view thereof;  
FIG. 5 is a front perspective view of a second embodiment of a cart showing my new design;  
FIG. 6 is a front elevational view of FIG. 5, the rear being a mirror image of that shown;  
FIG. 7 is a side elevational view of FIG. 5, the opposite side being a mirror image of that shown;  
FIG. 8 is a top plan view of FIG. 5;  
FIG. 9 is a front perspective view of a third embodiment of a cart showing my new design;  
FIG. 10 is a front elevational view of FIG. 9, the rear being a mirror image of that shown;  
FIG. 11 is a side elevational view of FIG. 9, the opposite side being a mirror image of that shown; and  
FIG. 12 is a top plan view of FIG. 9.



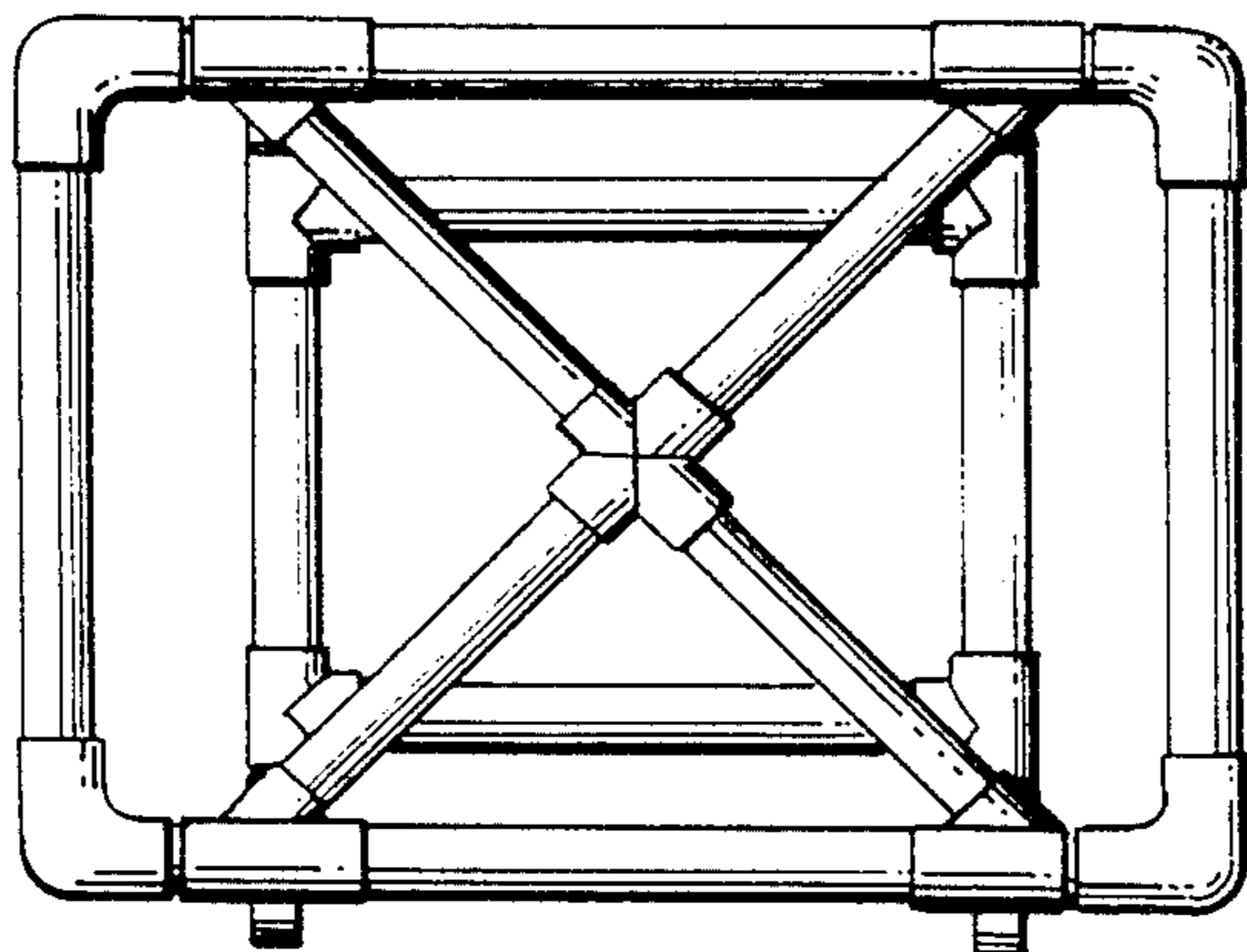
*FIG. 1*



*FIG. 2*

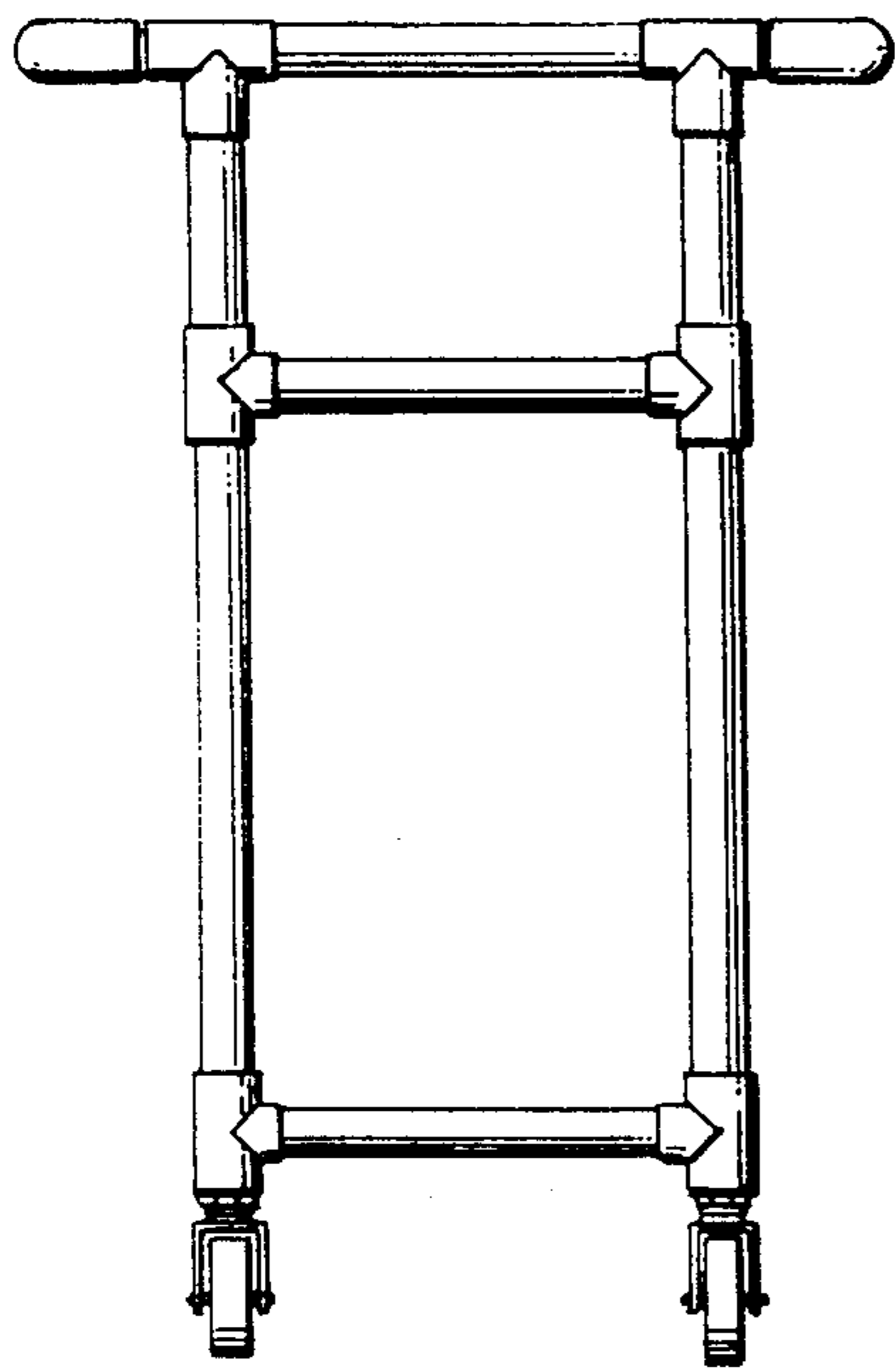
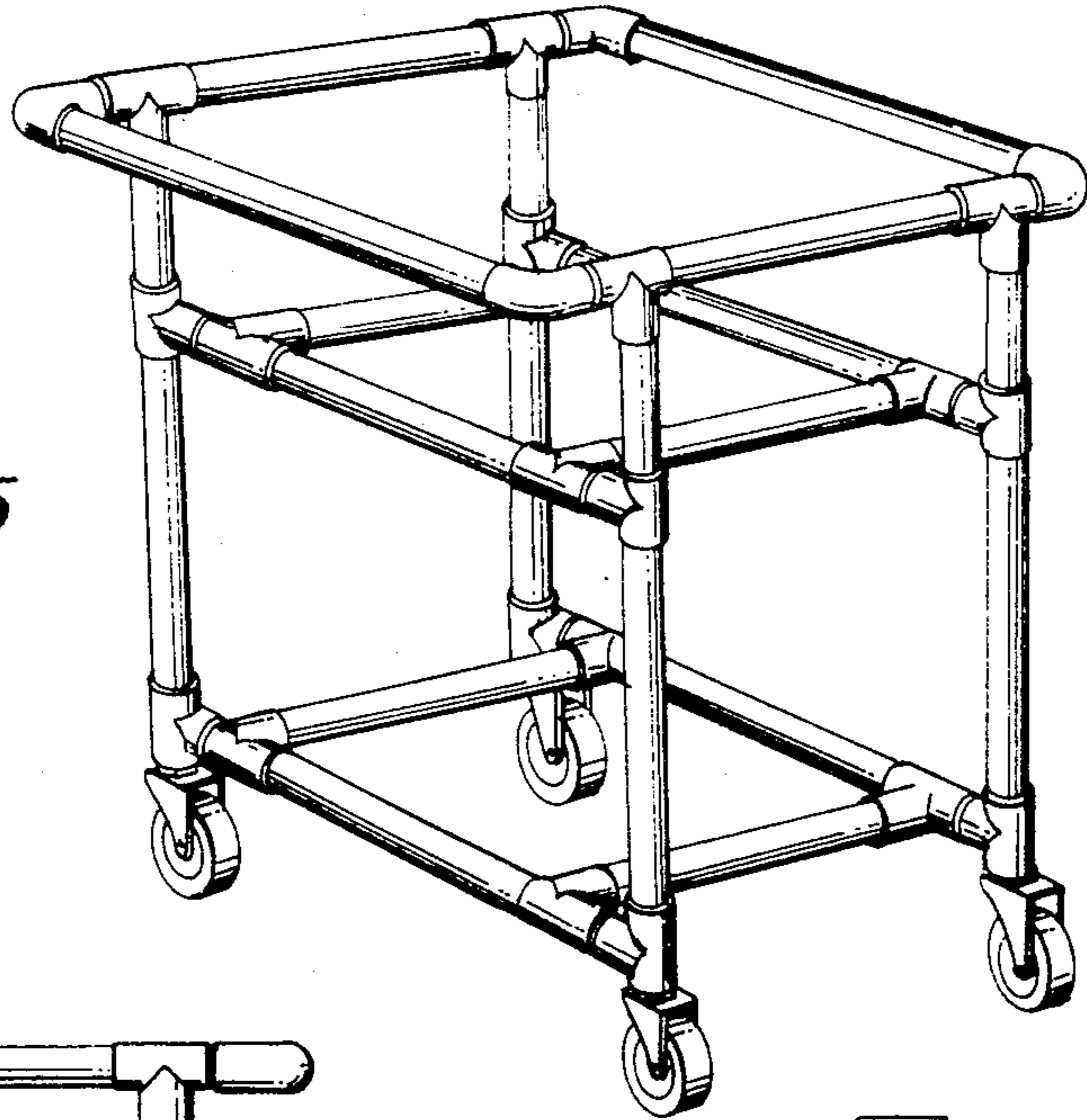


*FIG. 3*

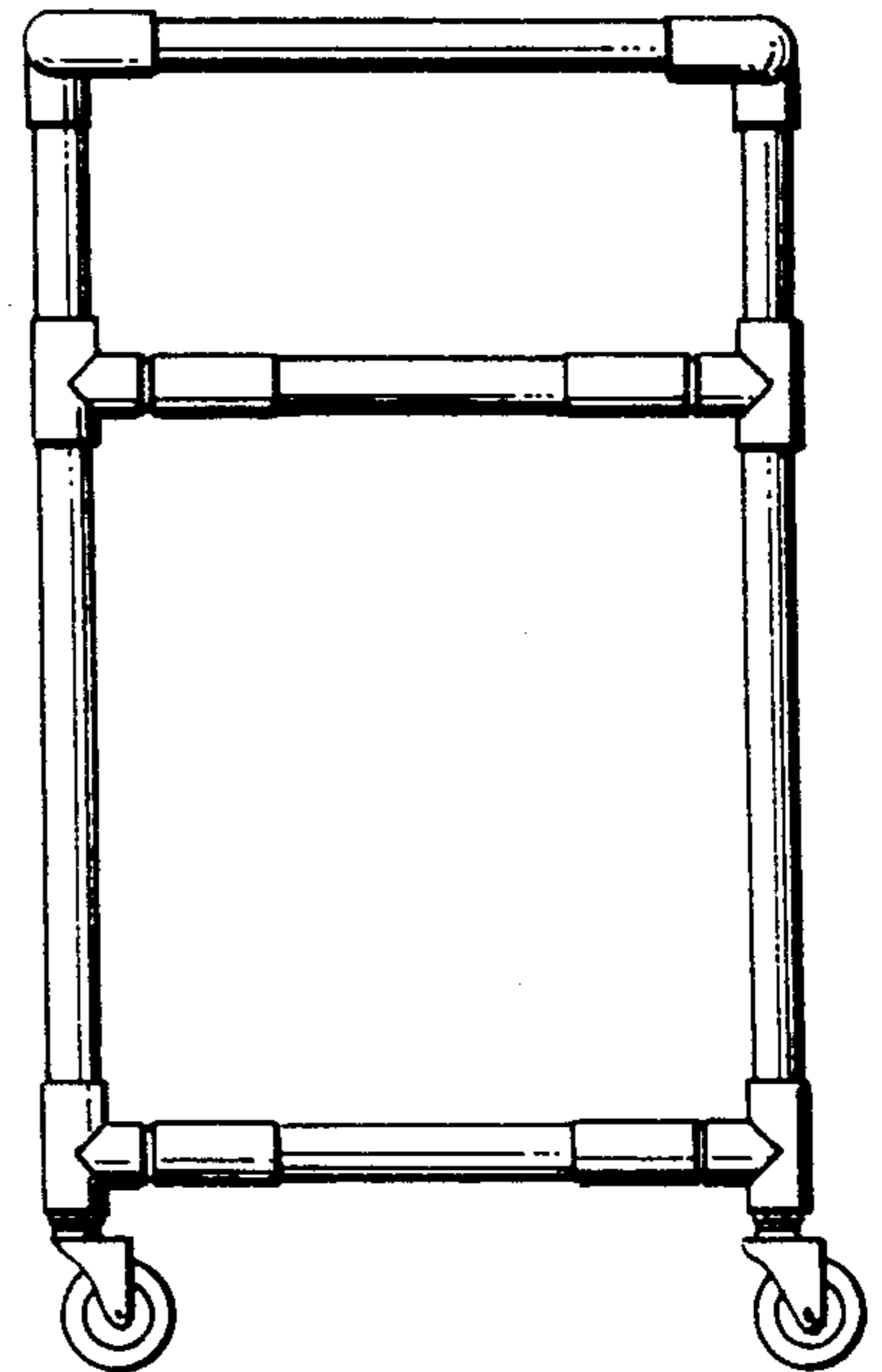


*FIG. 4*

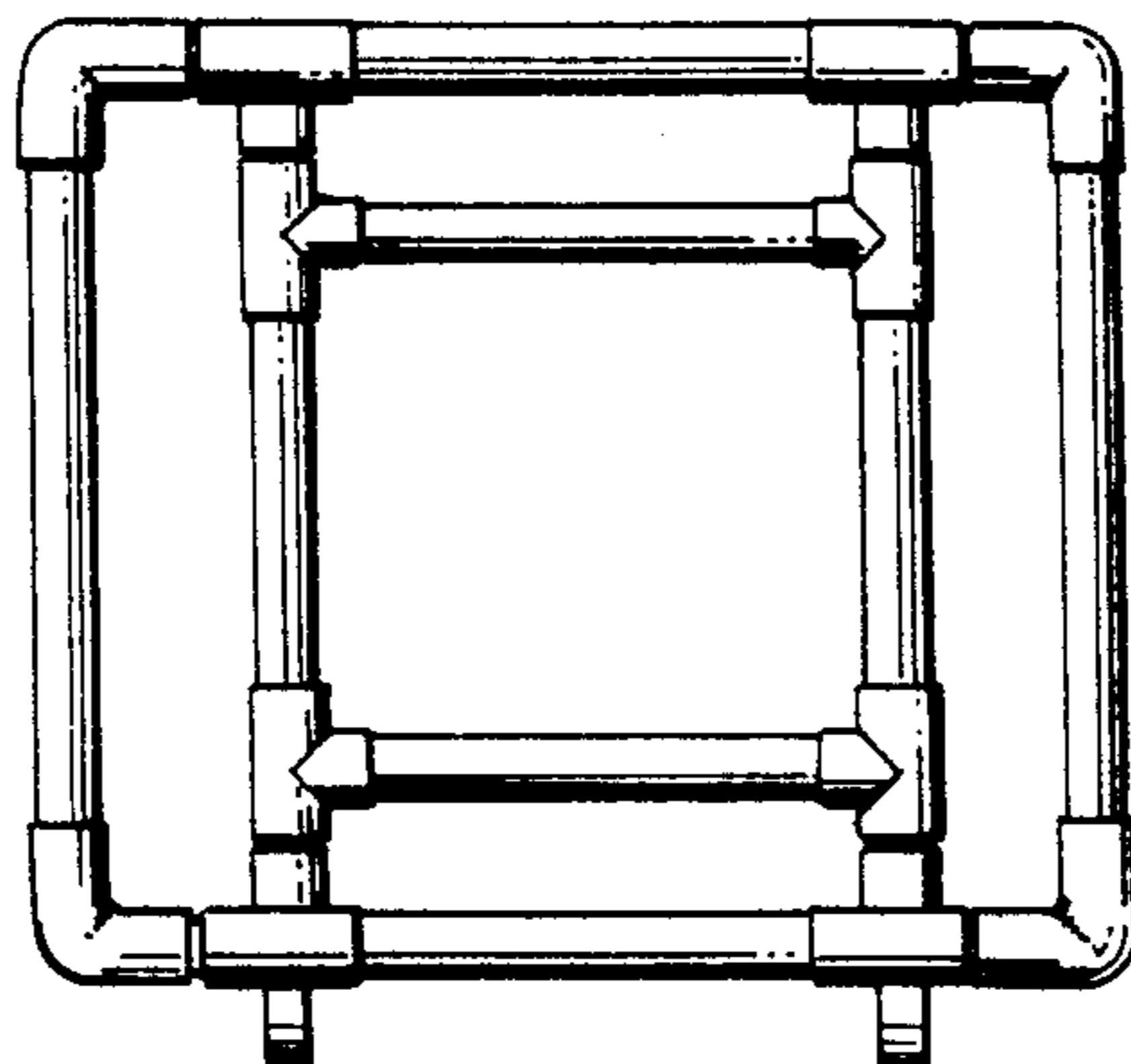
*FIG. 5*



*FIG. 6*

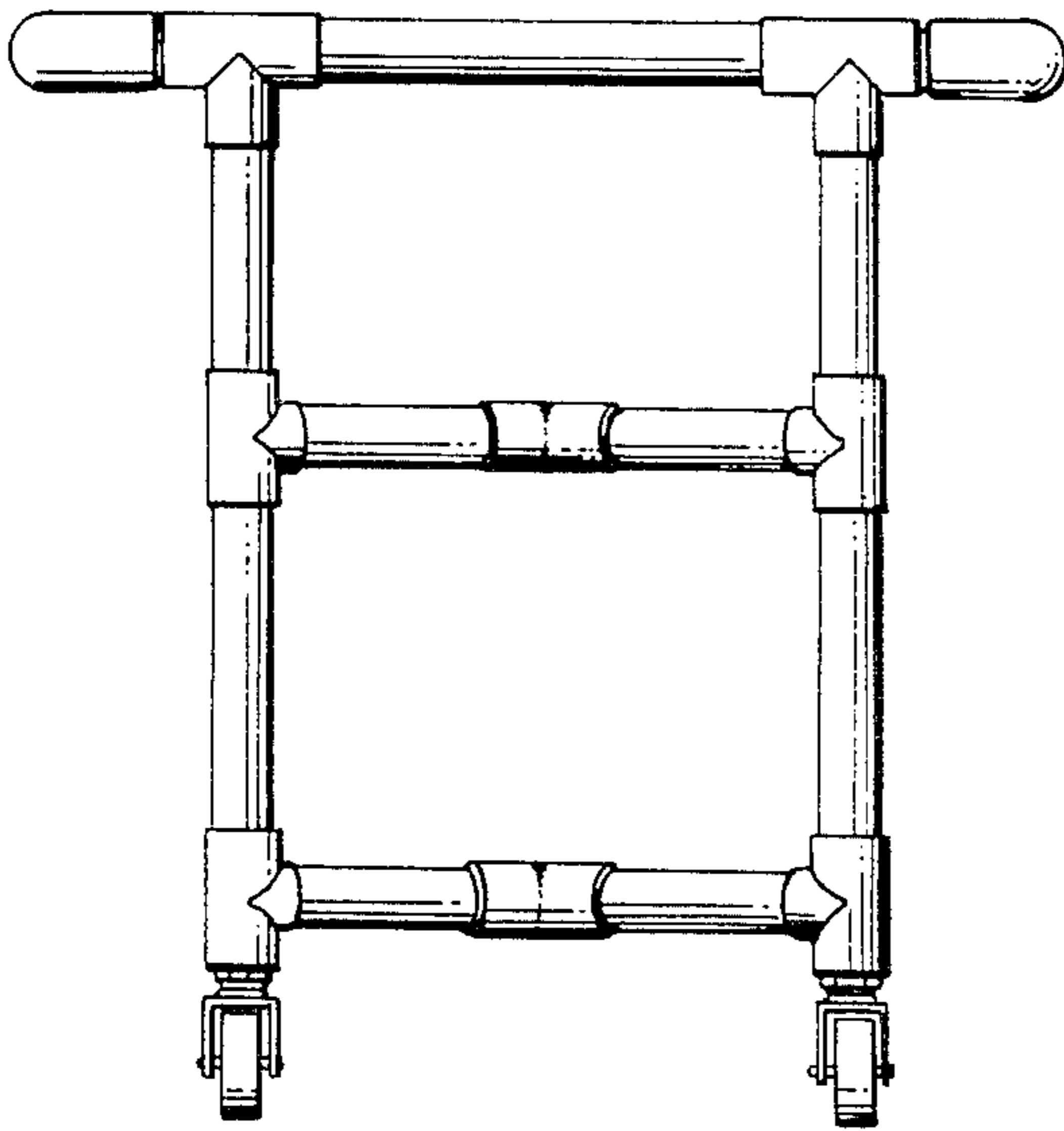
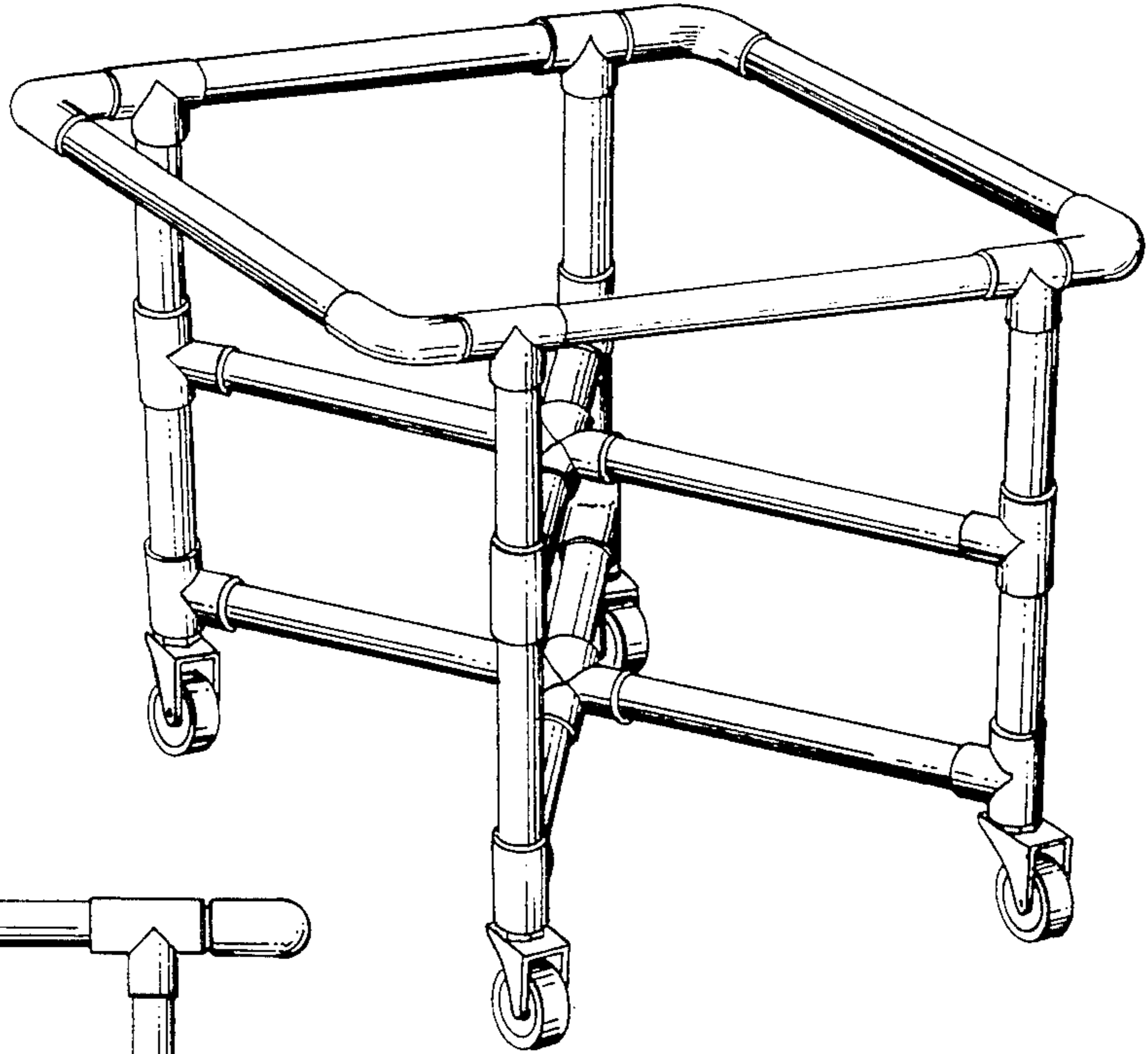


*FIG. 7*

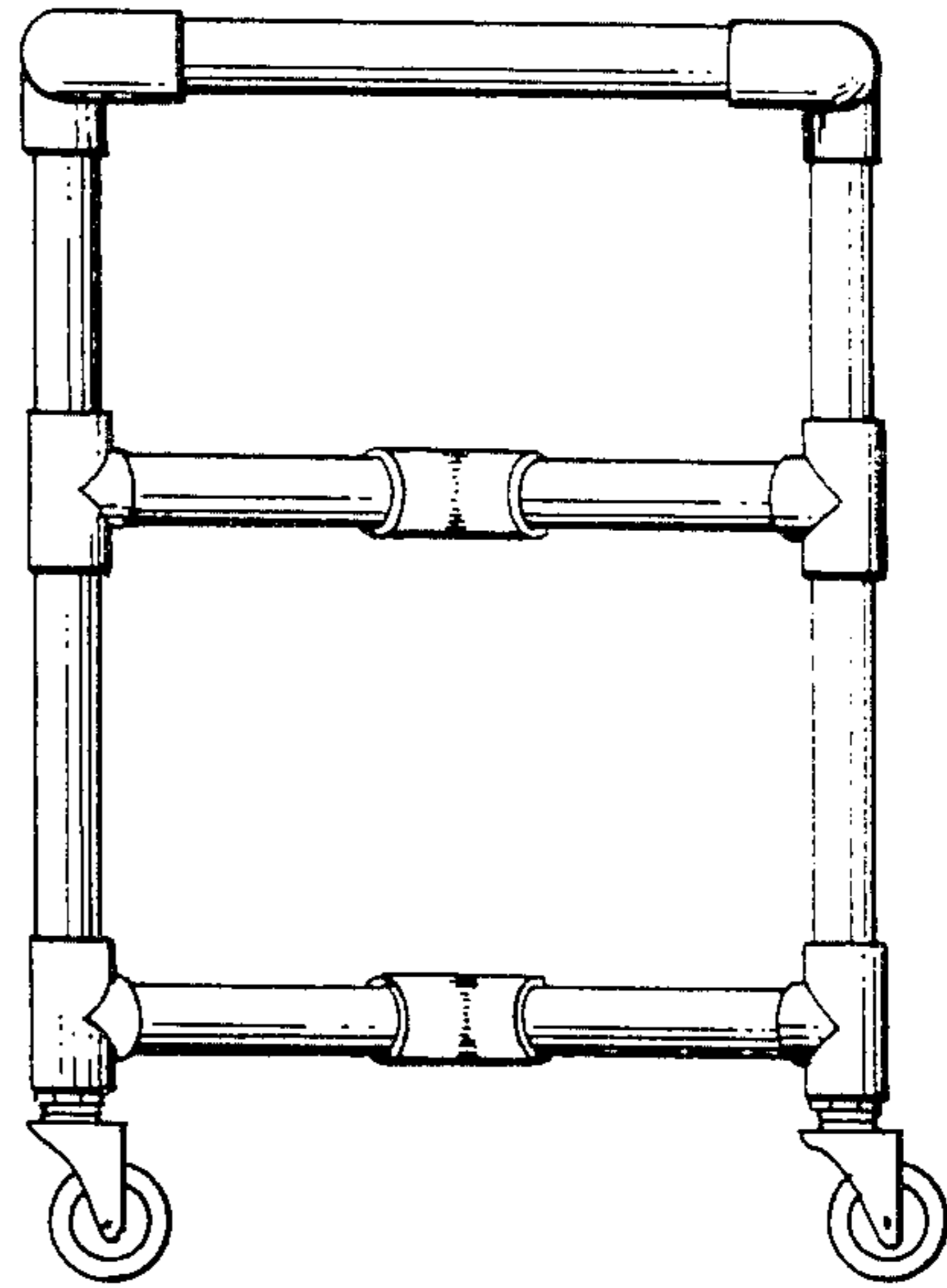


*FIG. 8*

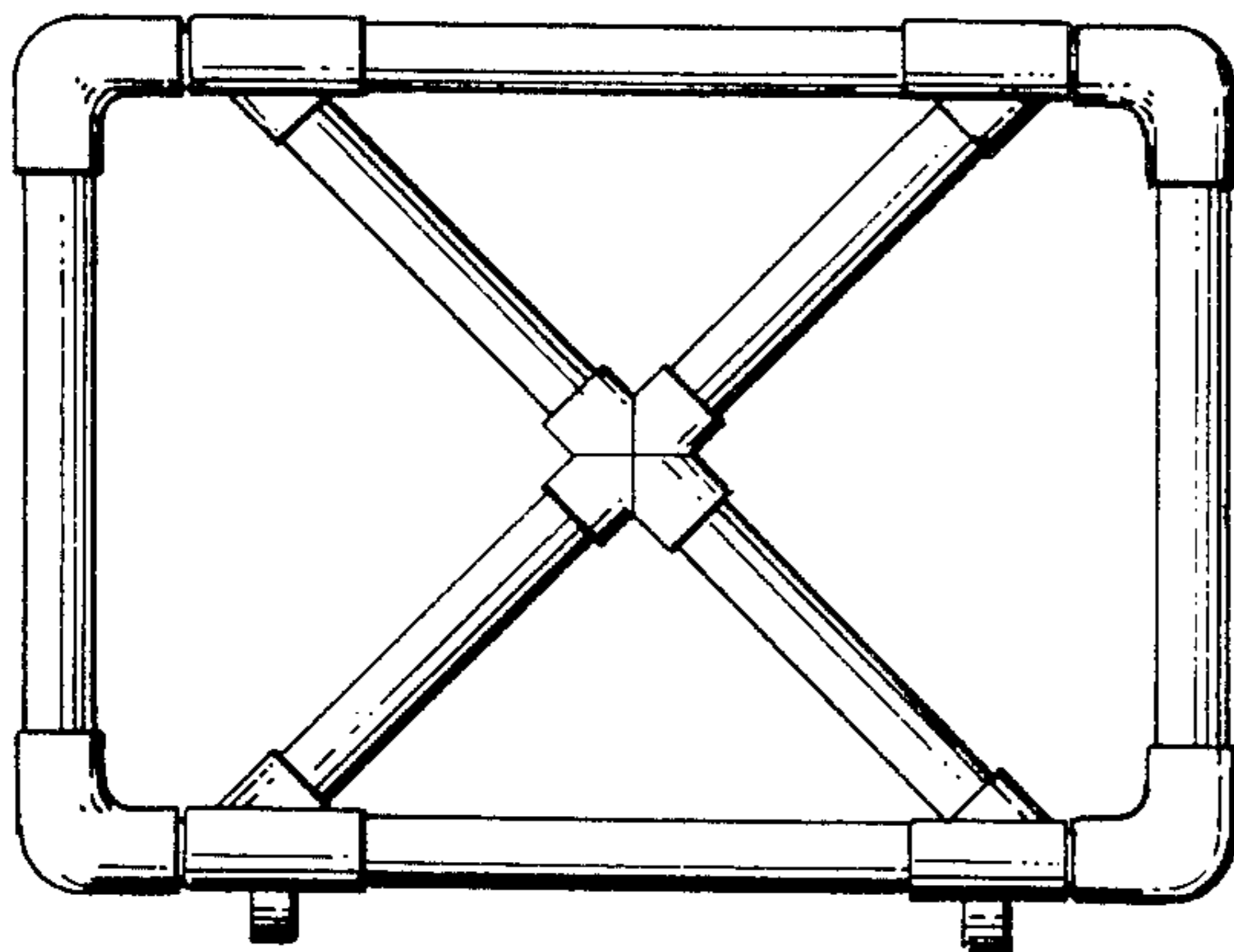
*FIG. 9*



*FIG. 10*



*FIG. 11*



*FIG. 12*