

[54] **FLOOR BUFFER**

[76] Inventor: **Robert W. Marshall, c/o Phoenix Floor Systems, Inc., Industrial Park Rd., Pettigrew, Ark. 72752**

[**] Term: **14 Years**

[21] Appl. No.: **535,842**

[22] Filed: **Sep. 26, 1983**

[52] U.S. Cl. **D32/15**

[58] Field of Search **D32/1, 15, 16; 15/49 R, 15/50 R**

[56] **References Cited**

U.S. PATENT DOCUMENTS

- | | | | | |
|------------|---------|---------------|-------|---------|
| D. 85,664 | 12/1931 | Myers | | D32/15 |
| D. 131,286 | 2/1942 | Pond | | D32/15 |
| 3,921,244 | 11/1975 | Warren et al. | | 15/49 R |

- | | | | | |
|-----------|--------|---------------|-------|---------|
| 4,330,897 | 5/1982 | Tucker et al. | | 15/49 R |
| 4,435,870 | 3/1984 | Tucker et al. | | 15/49 R |

Primary Examiner—Wallace R. Burke
Assistant Examiner—Lynn Wilder
Attorney, Agent, or Firm—Robert R. Keegan

[57] **CLAIM**

The ornamental design for a floor buffer, as shown and described or the like.

DESCRIPTION

FIG. 1 is a left side elevational view of a floor buffer embodying my design;
FIG. 2 is a right elevational view thereof;
FIG. 3 is a front elevational view thereof;
FIG. 4 is a rear elevational view thereof;
FIG. 5 is a top plan view thereof; and
FIG. 6 is a bottom plan view thereof.

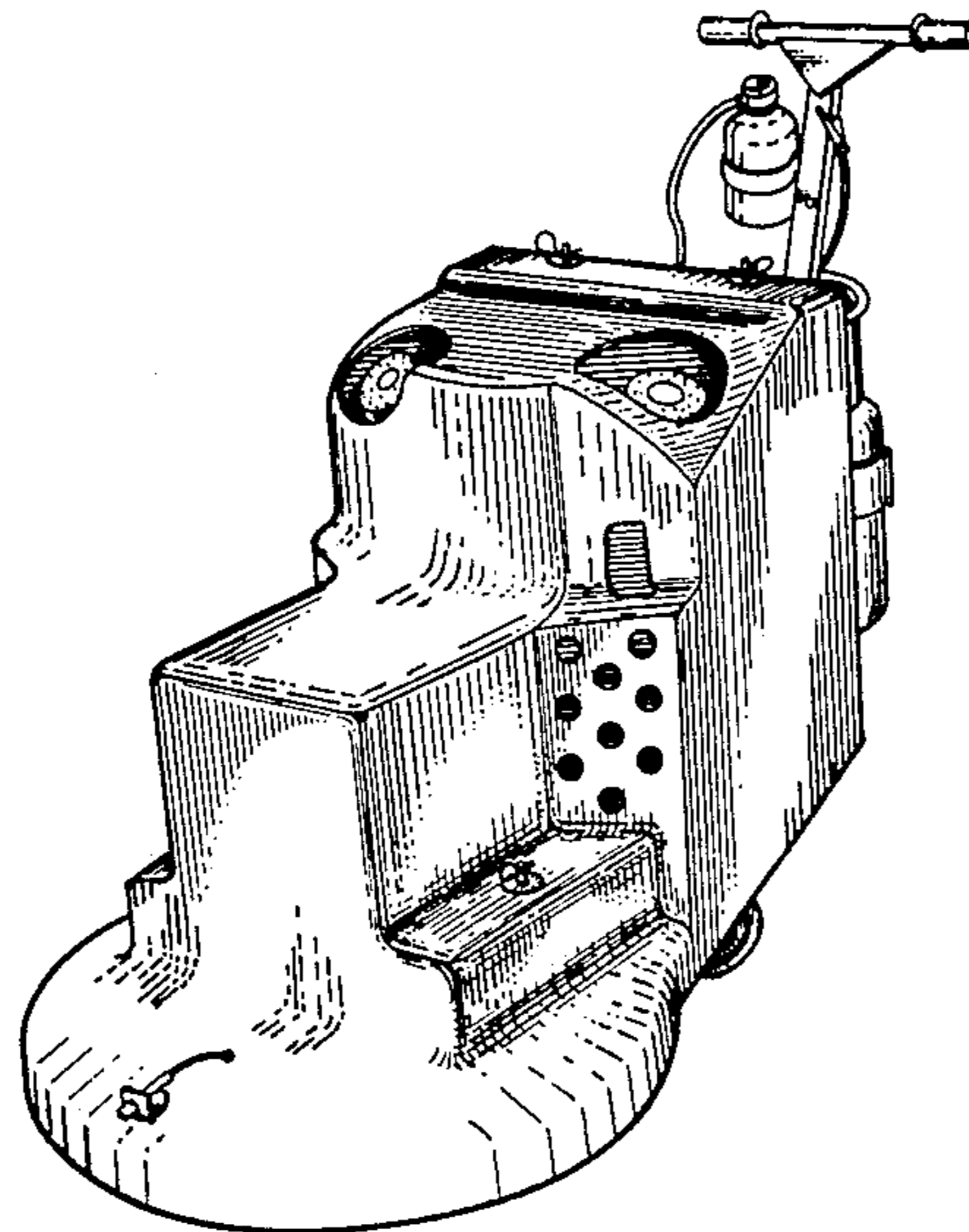


FIG. 1

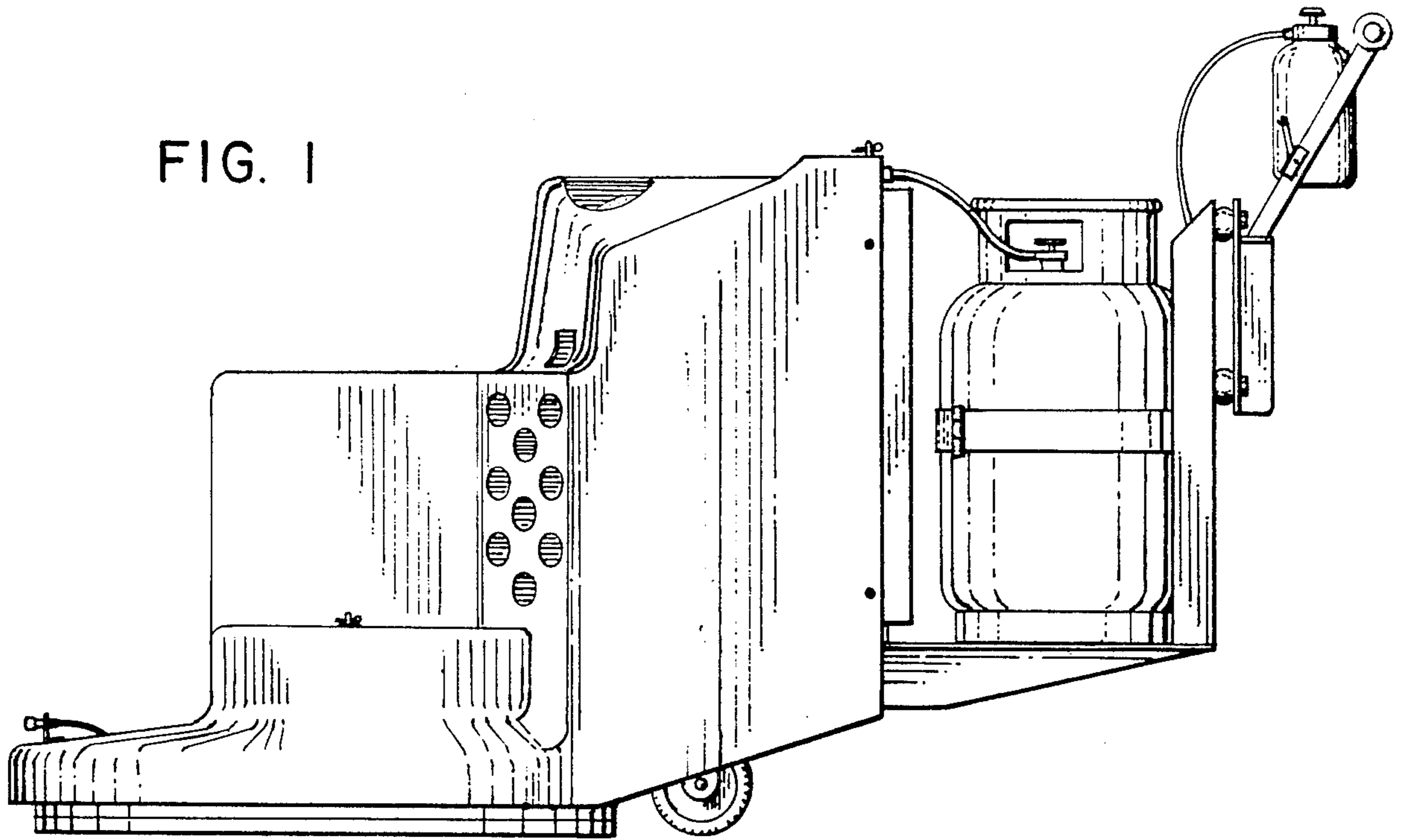


FIG. 2

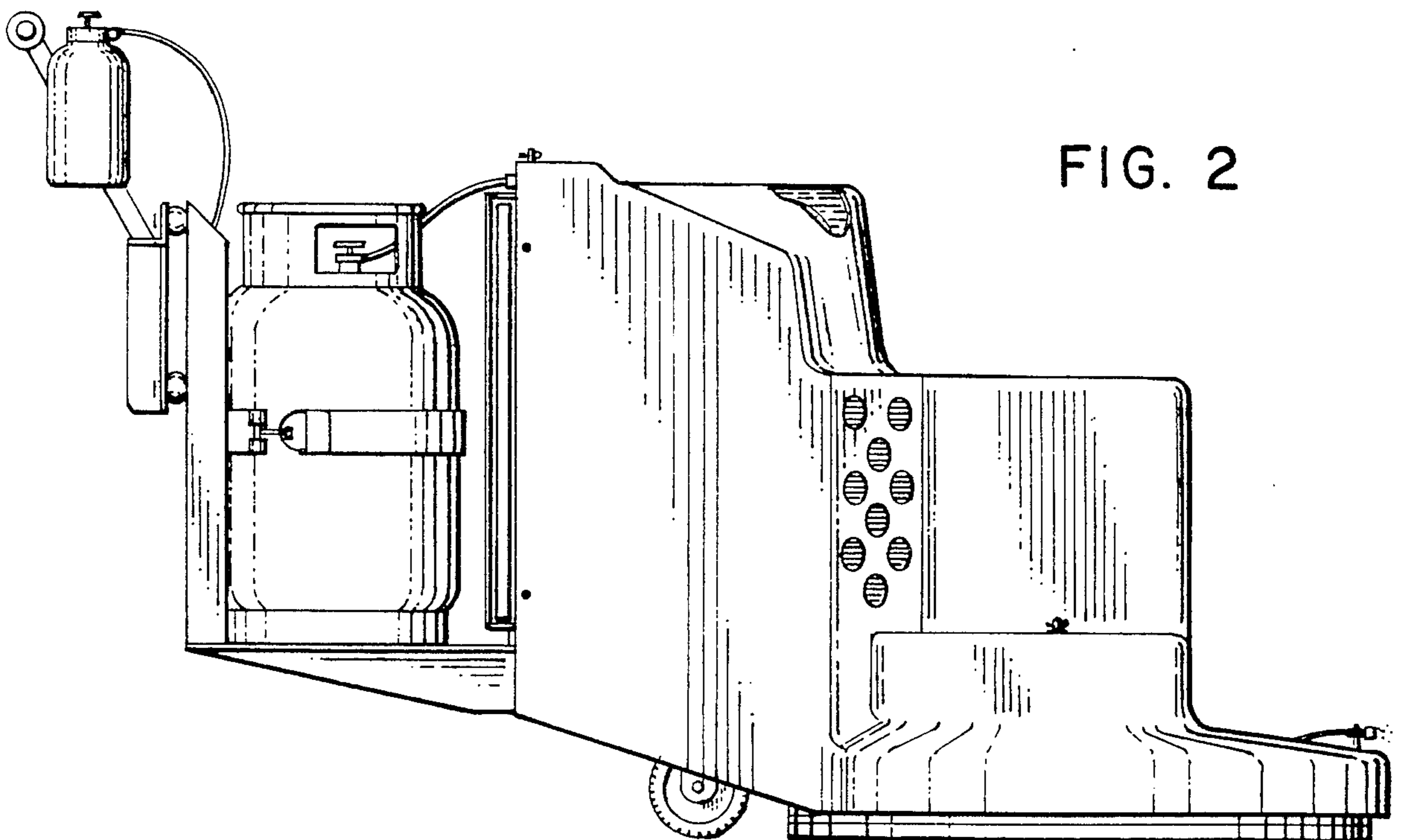


FIG. 3

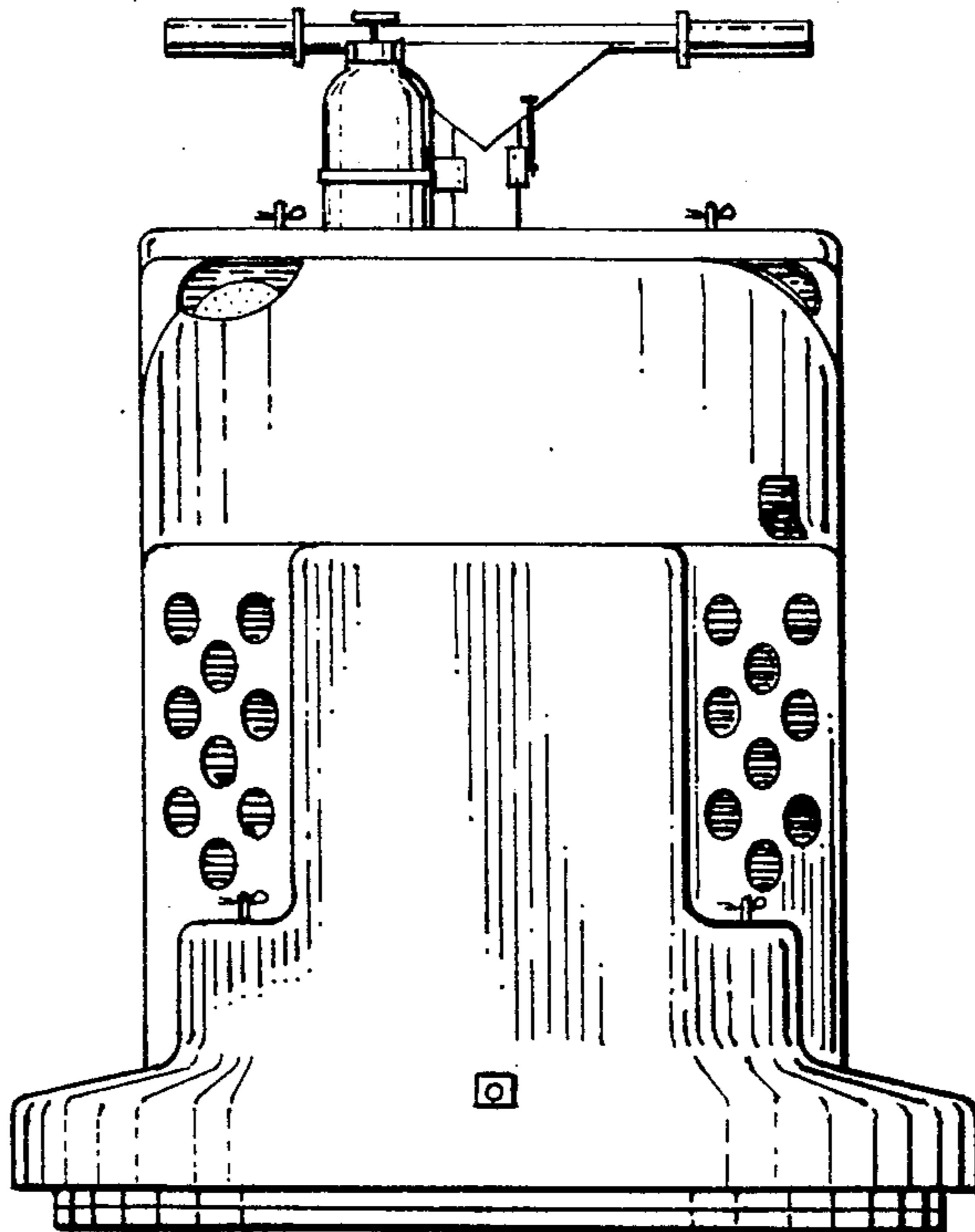
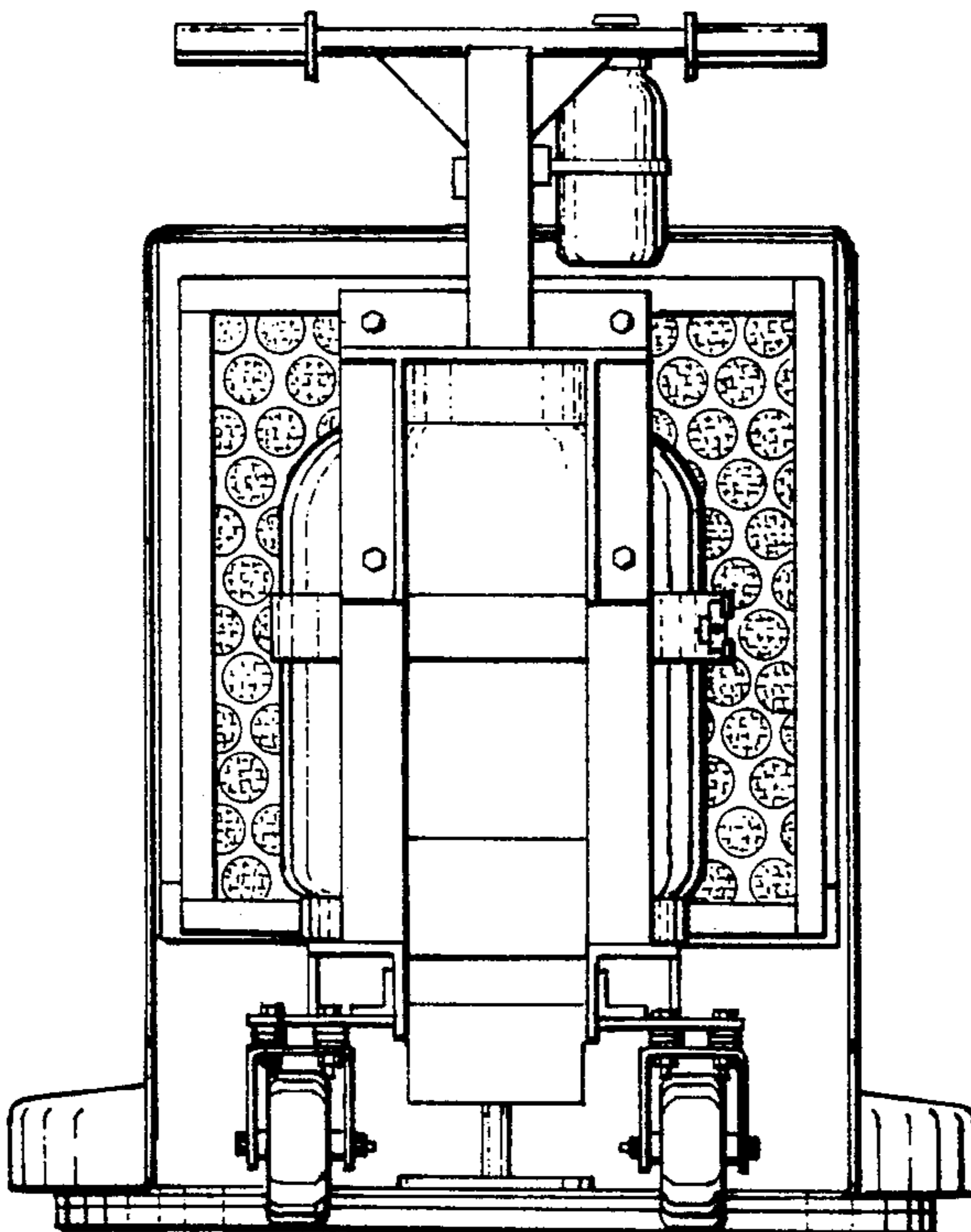


FIG. 4



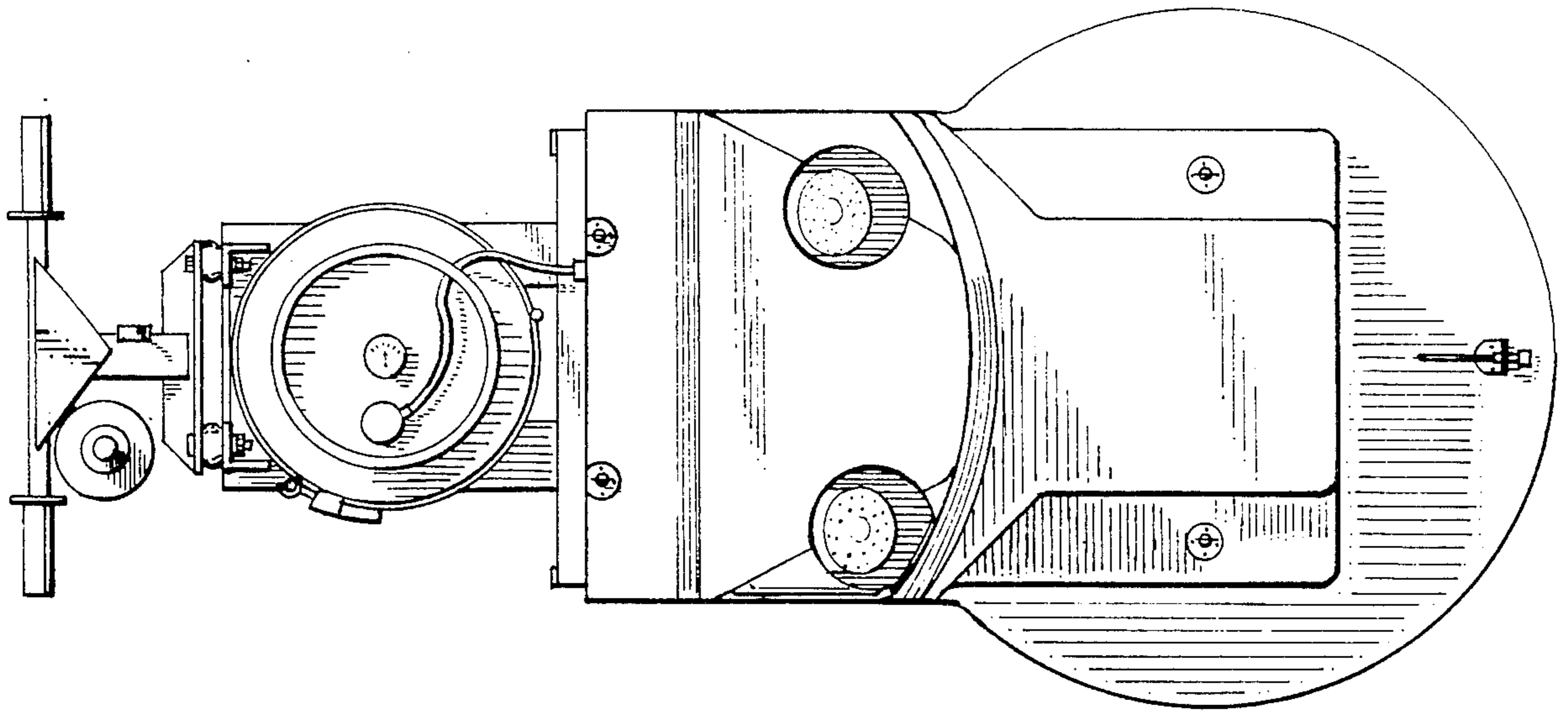


FIG. 5

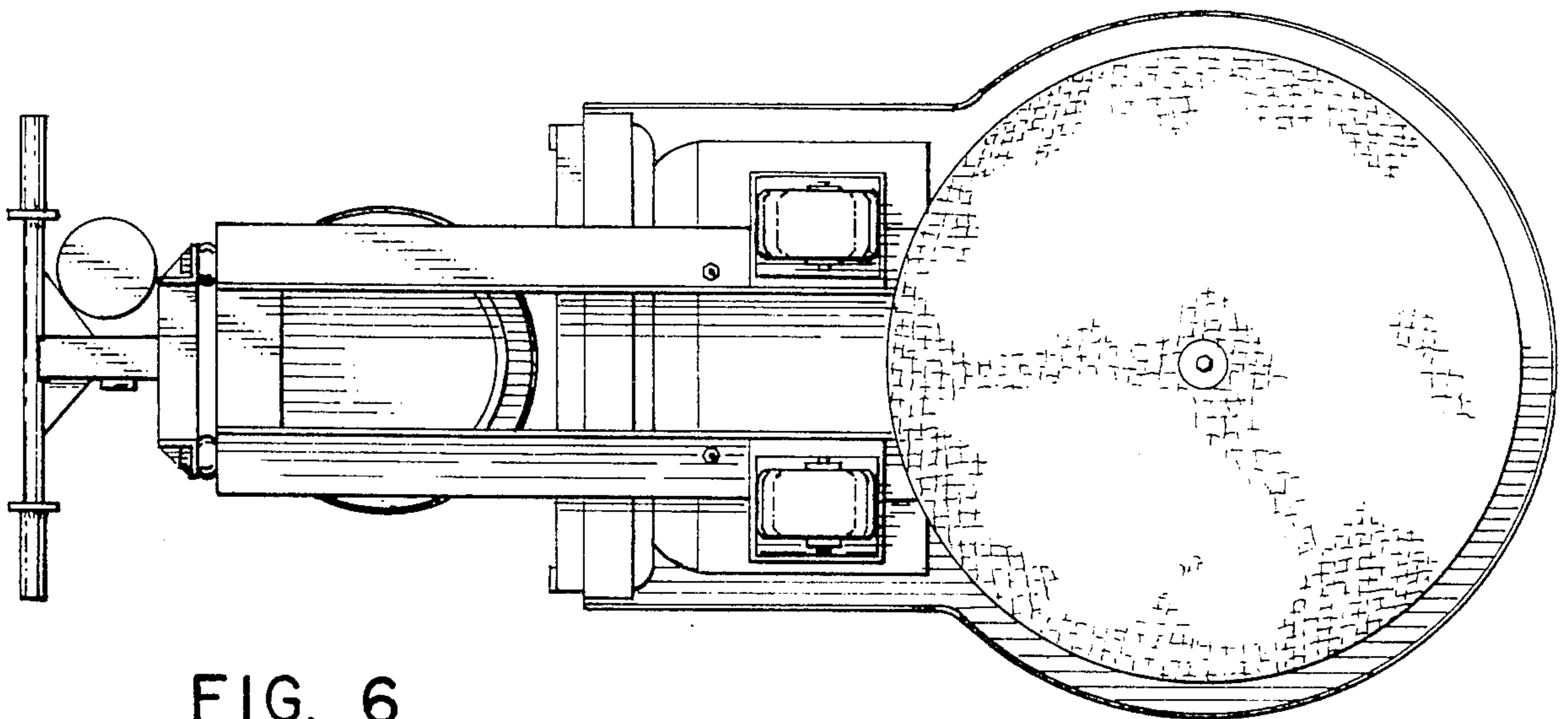


FIG. 6

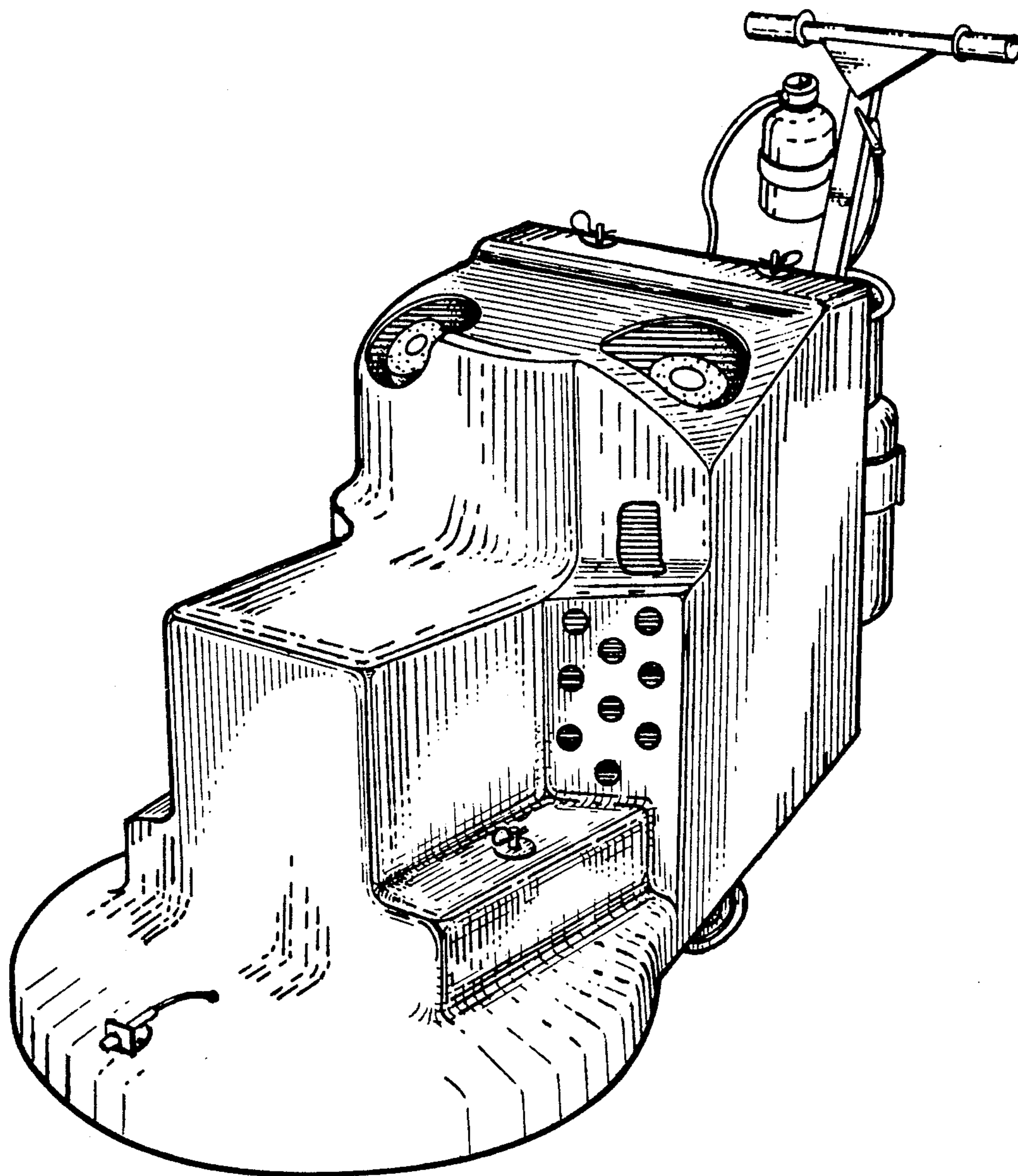


FIG. 7