

[54] FISHING REEL

[75] Inventors: Kanji Iinuma; Akio Yamazaki, both of Tokyo, Japan

[73] Assignee: Daiwa Seiko Inc., Tokyo, Japan

[**] Term: 14 Years

[21] Appl. No.: 556,663

[22] Filed: Nov. 30, 1983

[30] Foreign Application Priority Data

Jun. 2, 1983 [JP] Japan 58-23656

[52] U.S. Cl. D22/25

[58] Field of Search 242/84.1 R, 84.1 A, 242/84.2 R, 84.2 A, 84.2 B, 84.52 A; D22/25

[56] References Cited

U.S. PATENT DOCUMENTS

D. 228,183	8/1973	Tufvesson	D22/25
D. 247,627	3/1978	Takeuchi	D22/25
D. 257,168	9/1980	Okada	D22/25
3,670,985	6/1972	Morishita	242/84.52 A X

Primary Examiner—A. Hugo Word
Attorney, Agent, or Firm—Sughrue, Mion, Zinn, Macpeak & Seas

[57] CLAIM

The ornamental design for a fishing reel, as shown.

DESCRIPTION

FIG. 1 is a perspective view of the front, top and one side of a fishing reel showing our new design; FIG. 2 is a side elevation view showing said one side; FIG. 3 is a side elevation view showing the other side; FIG. 4 is a front elevation view; FIG. 5 is a rear elevation view; FIG. 6 is a top plan view; and FIG. 7 is a bottom plan view.

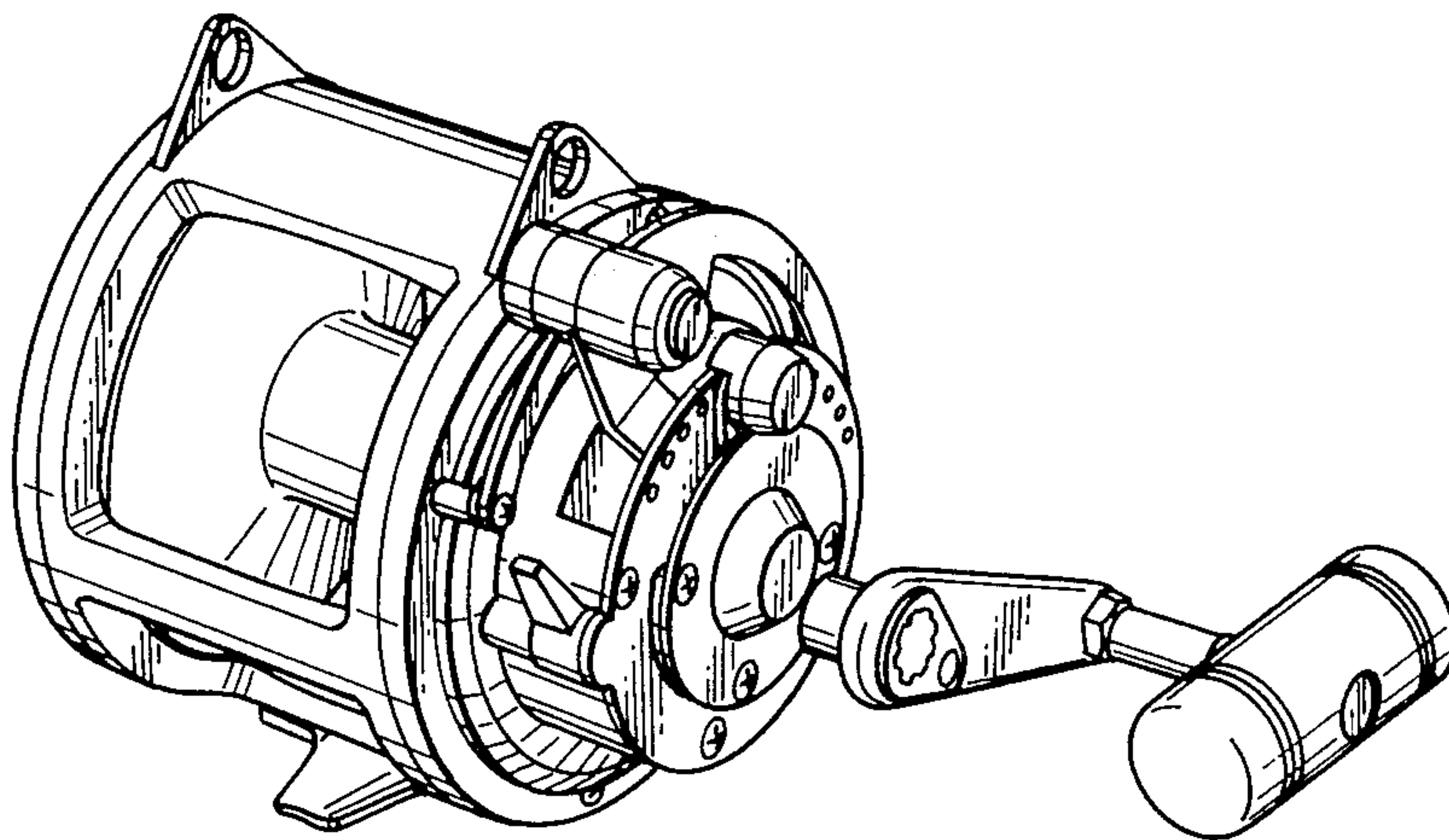


Fig. 1

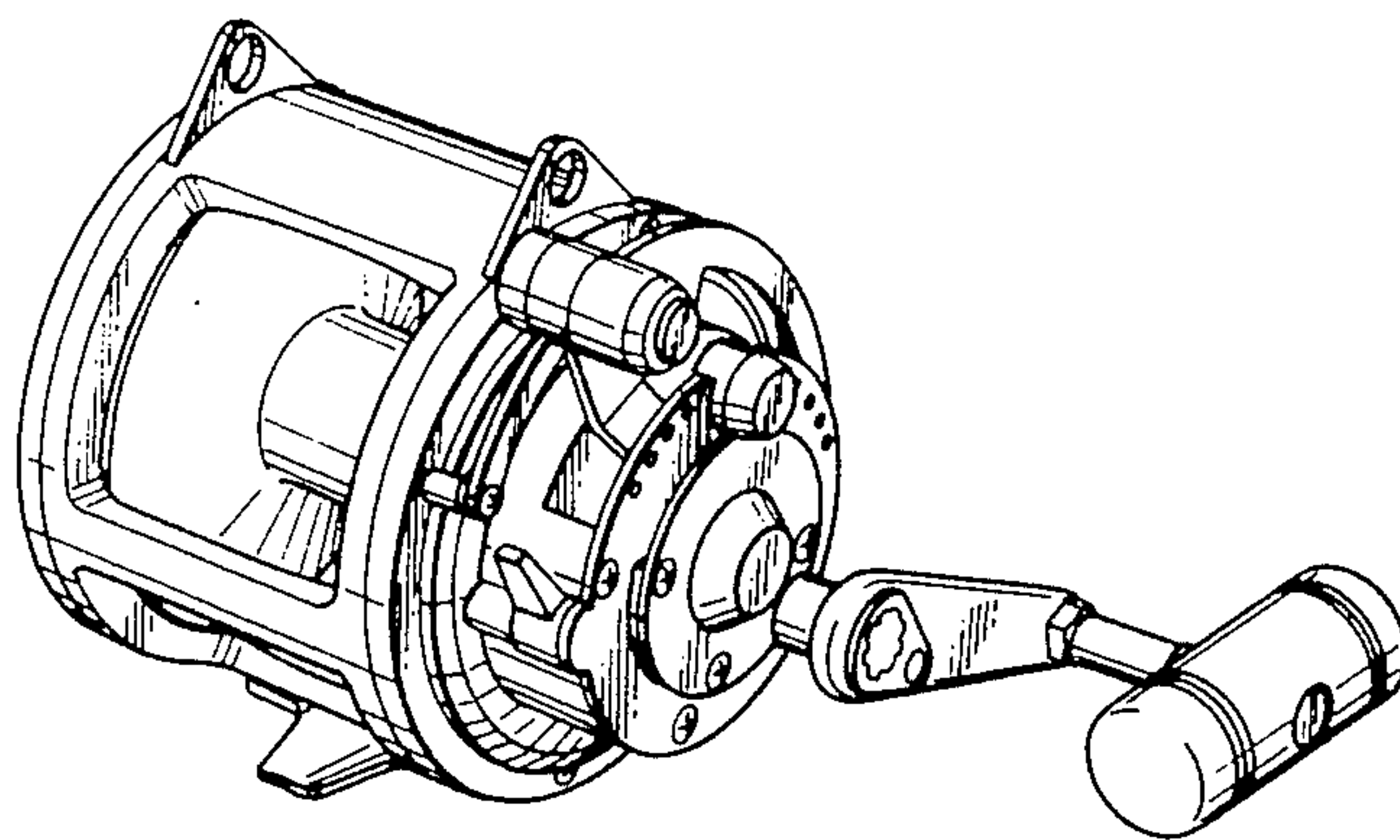


Fig. 2

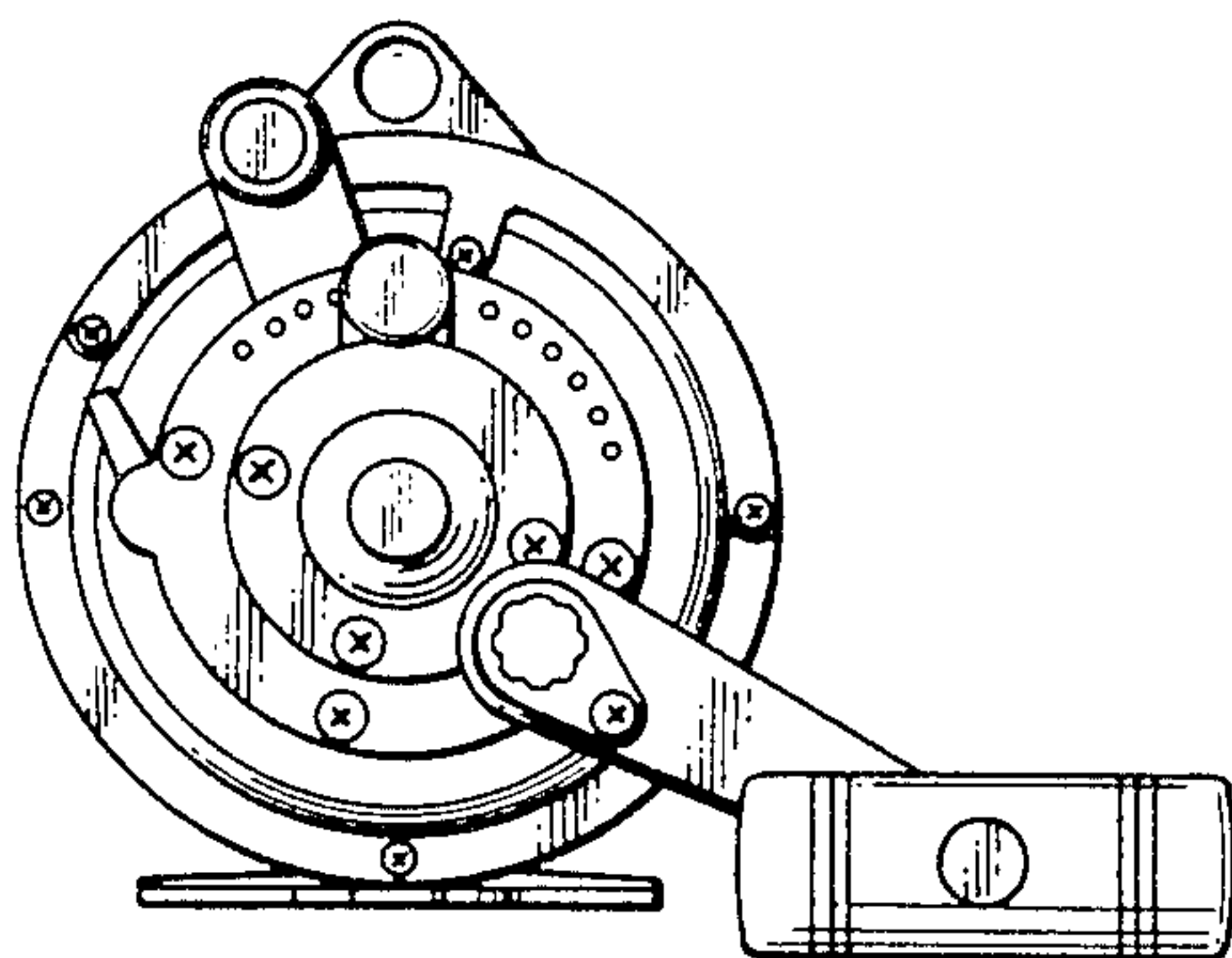


Fig. 3

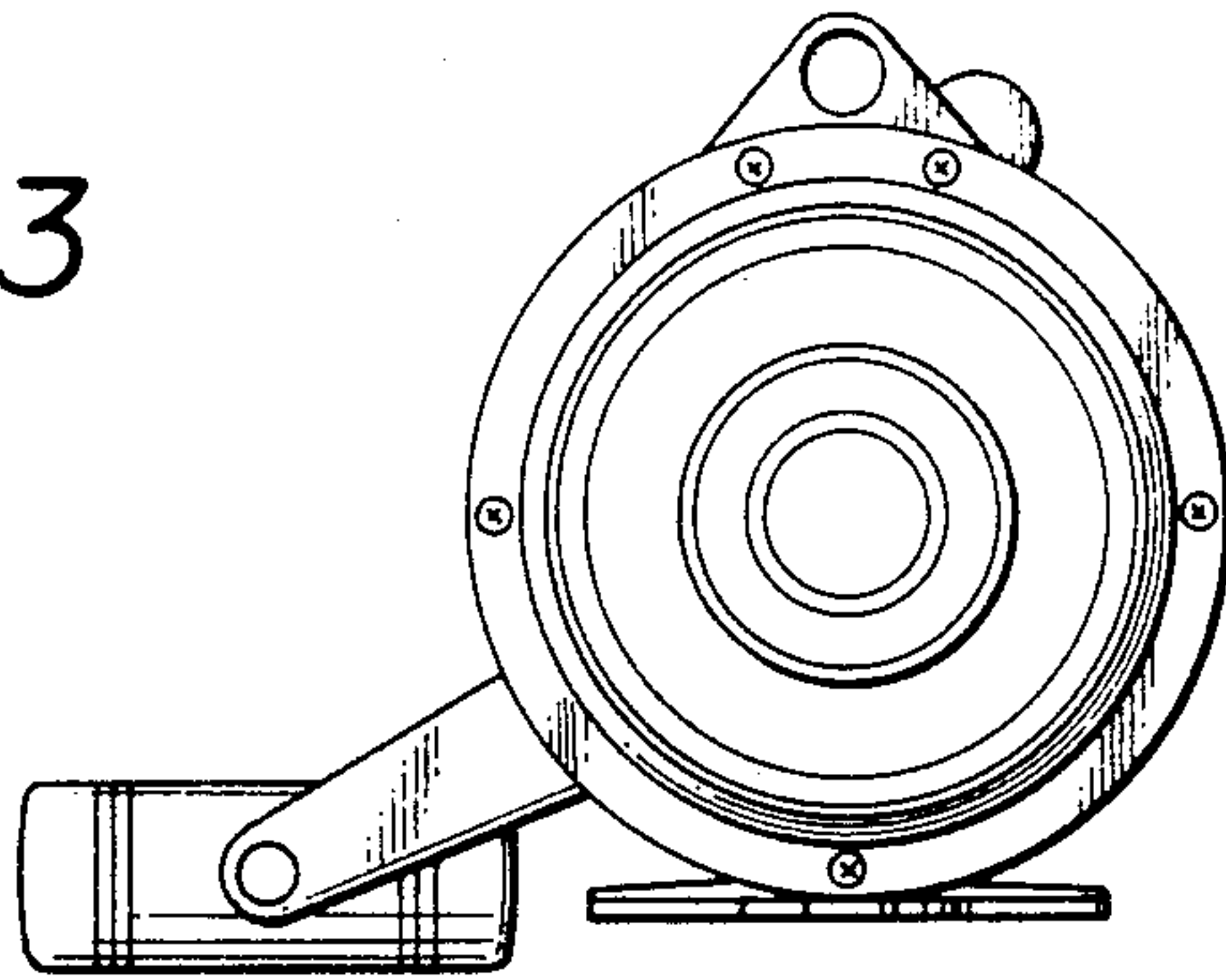


Fig. 4

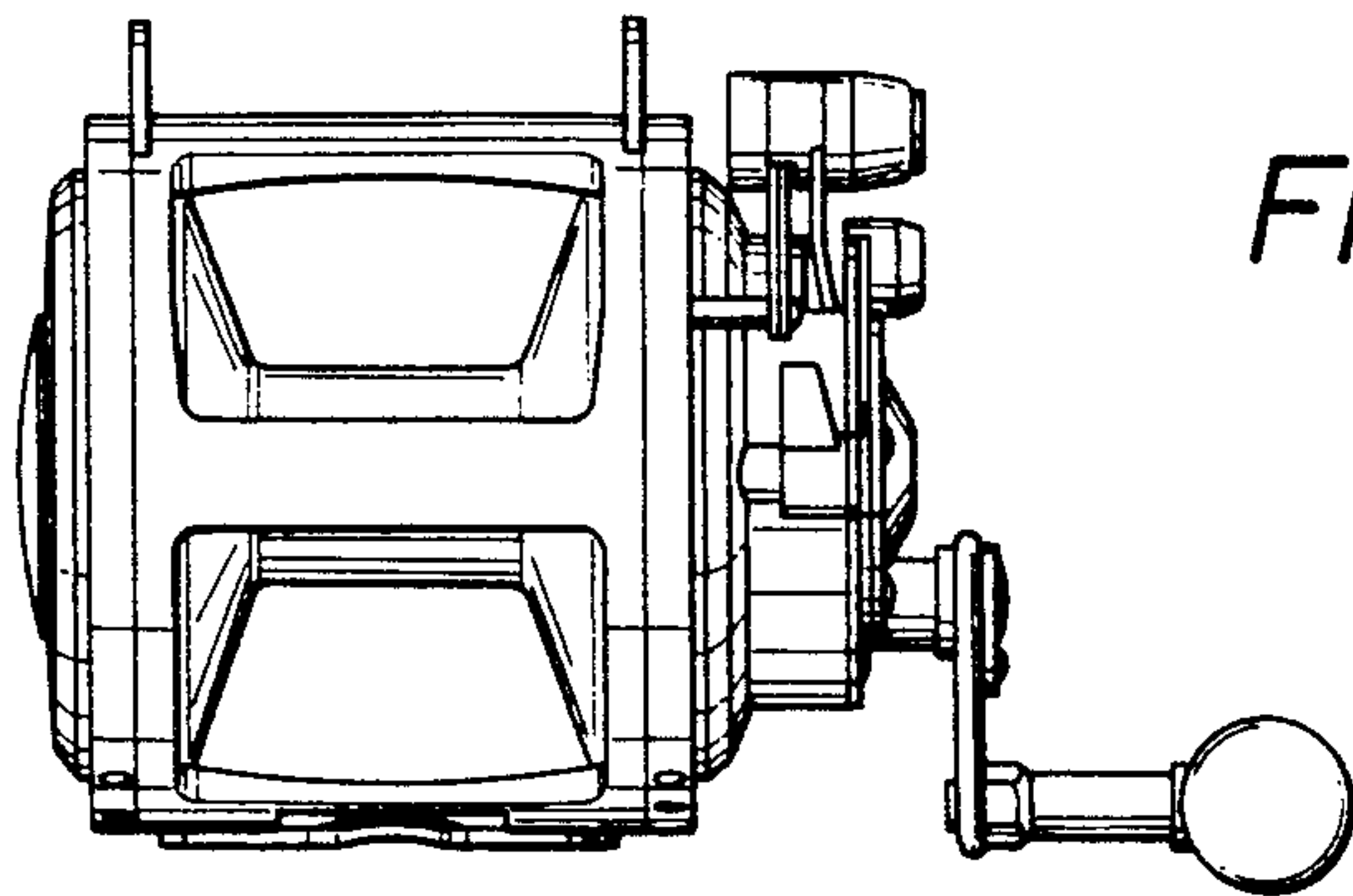
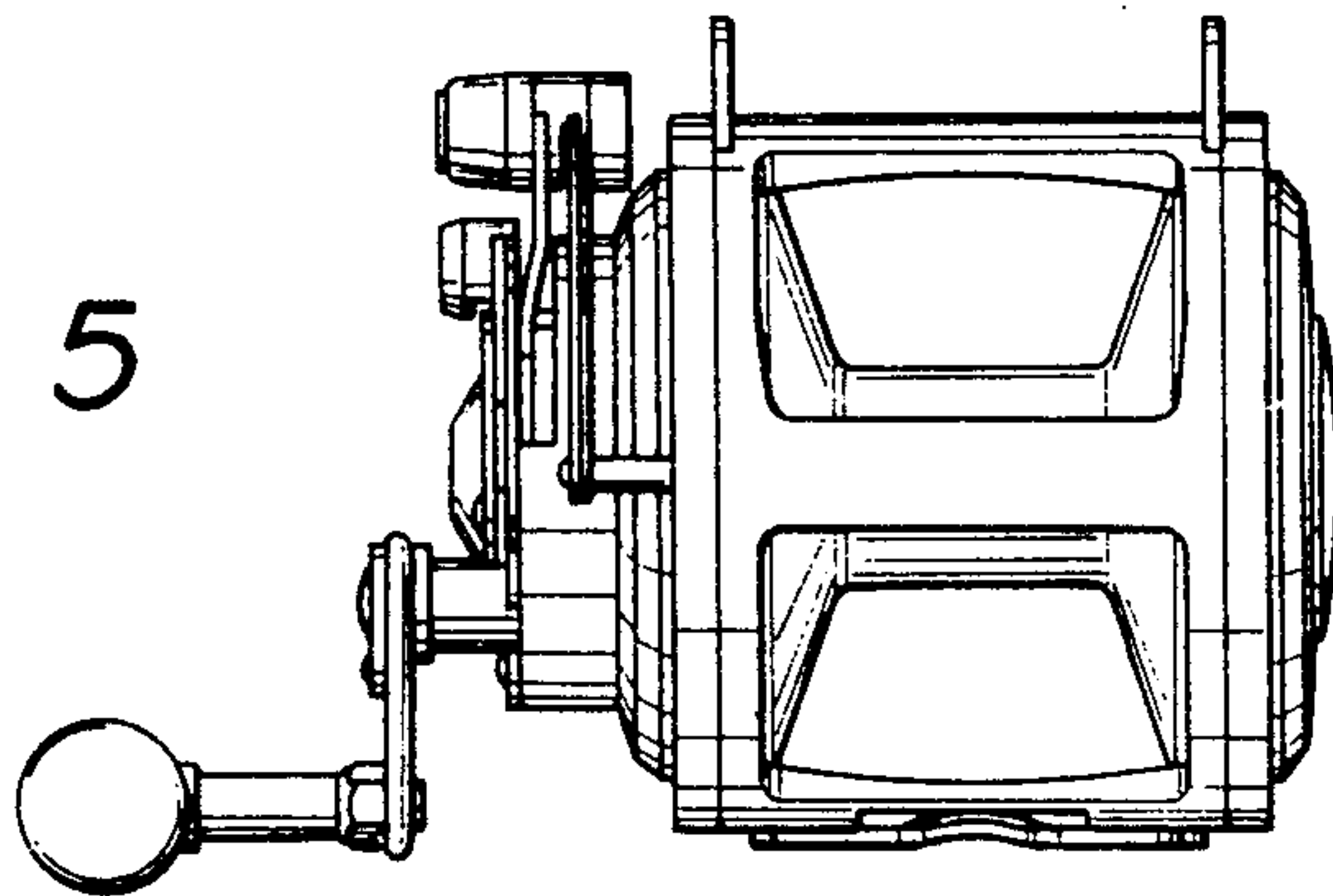


Fig. 5



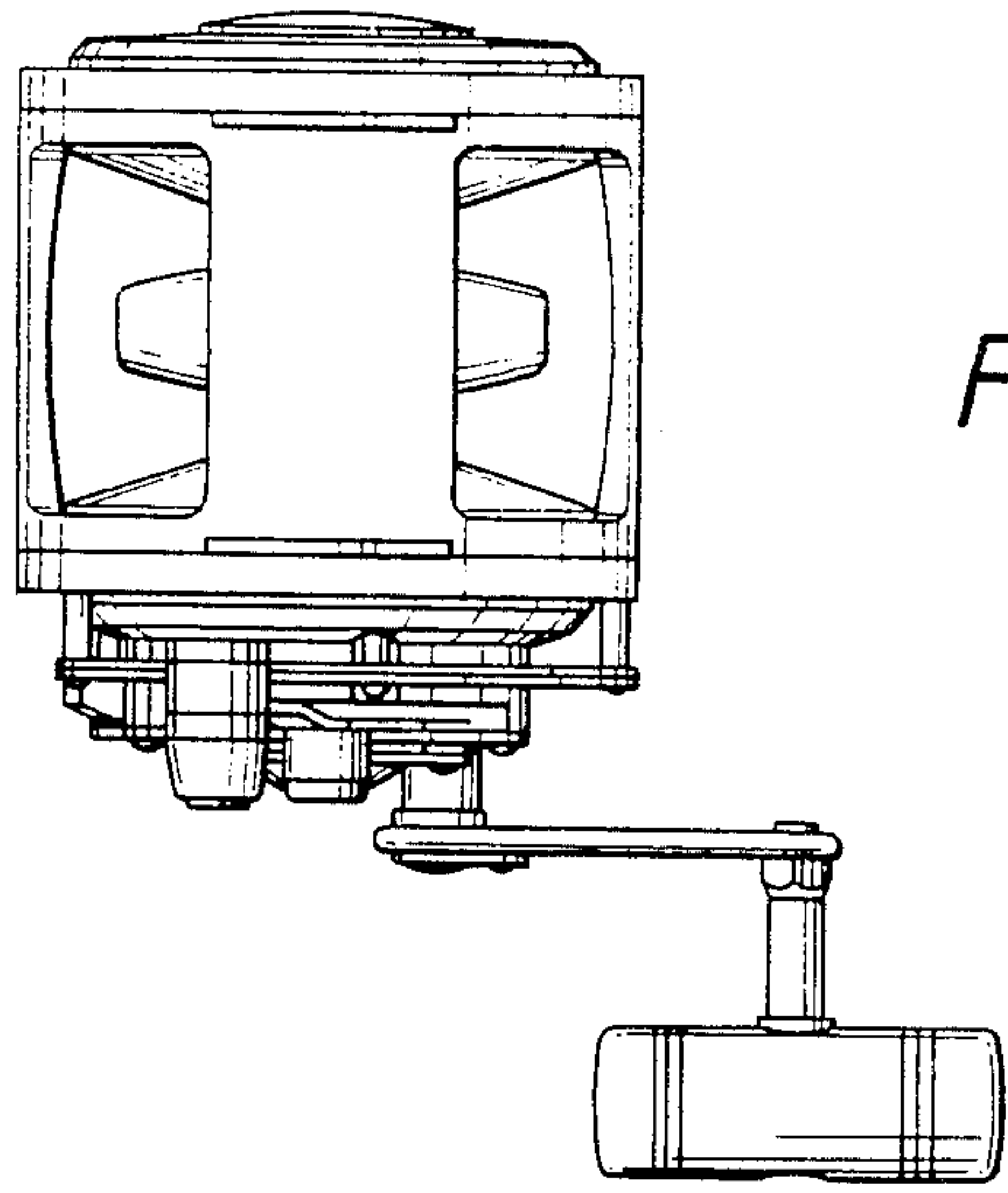


Fig. 6

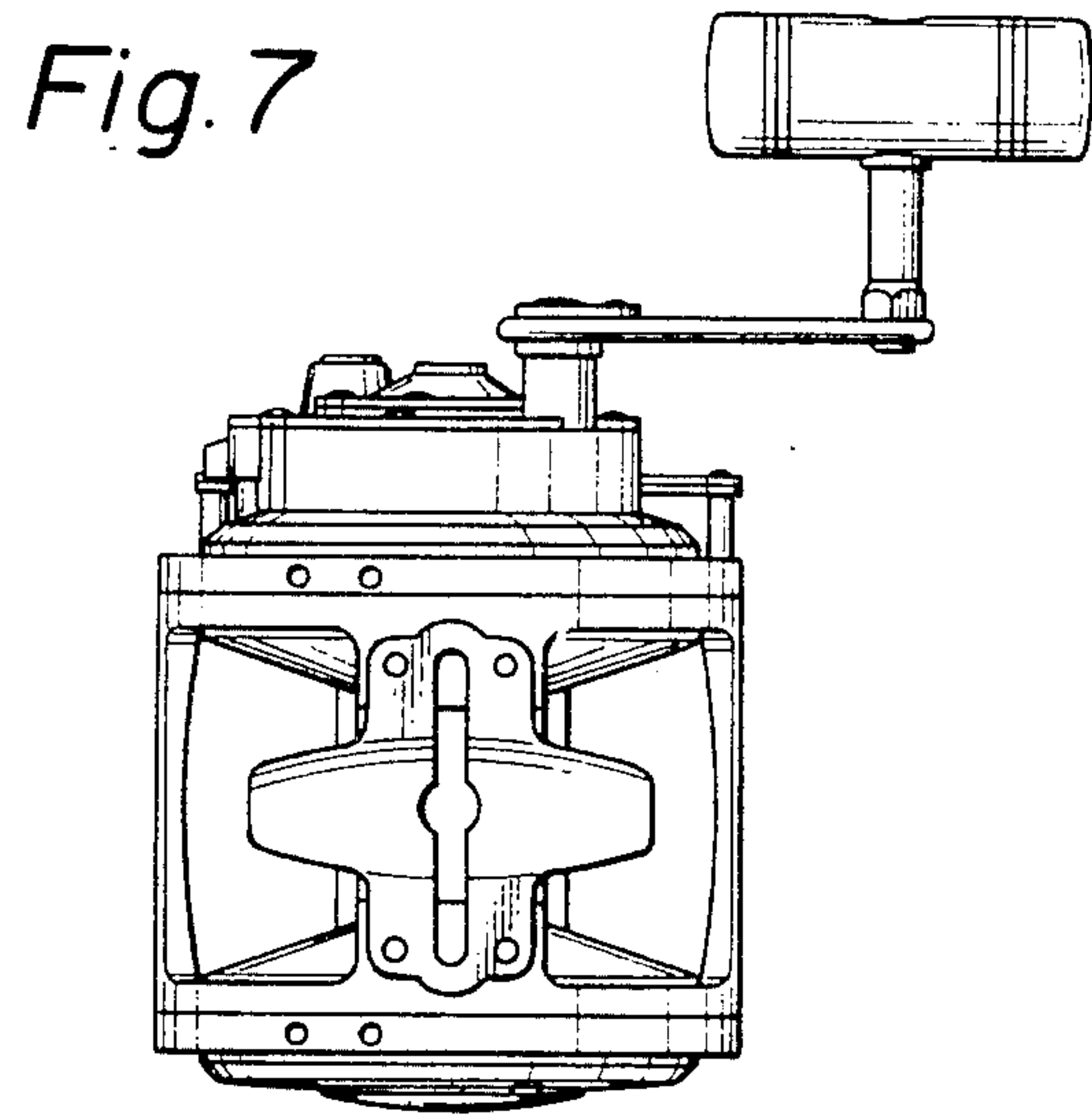


Fig. 7