

[54] **ABDOMINAL MUSCLE TRAINER**

[76] Inventors: **Lars G. F. Bengtson**, Mintensgatan 5  
A, Göteborg 416 63; **Ingvar J. H. Bengtson**, pl 6715, Kullavik, 43 041,  
both of Sweden

[\*\*] Term: **14 Years**

[21] Appl. No.: **534,575**

[22] Filed: **Sep. 22, 1983**

[30] **Foreign Application Priority Data**

Mar. 22, 1983 [SE] Sweden ..... 83-0830  
[52] U.S. Cl. .... **D21/191**  
[58] Field of Search ..... **D21/191-199;**  
**272/144, 145; D6/361**

[56] **References Cited**

**U.S. PATENT DOCUMENTS**

D. 230,444	2/1974	Kogoj et al. ....	D6/361
3,729,227	4/1973	Ohta et al. ....	D6/361
4,489,936	12/1984	Monte .....	272/144

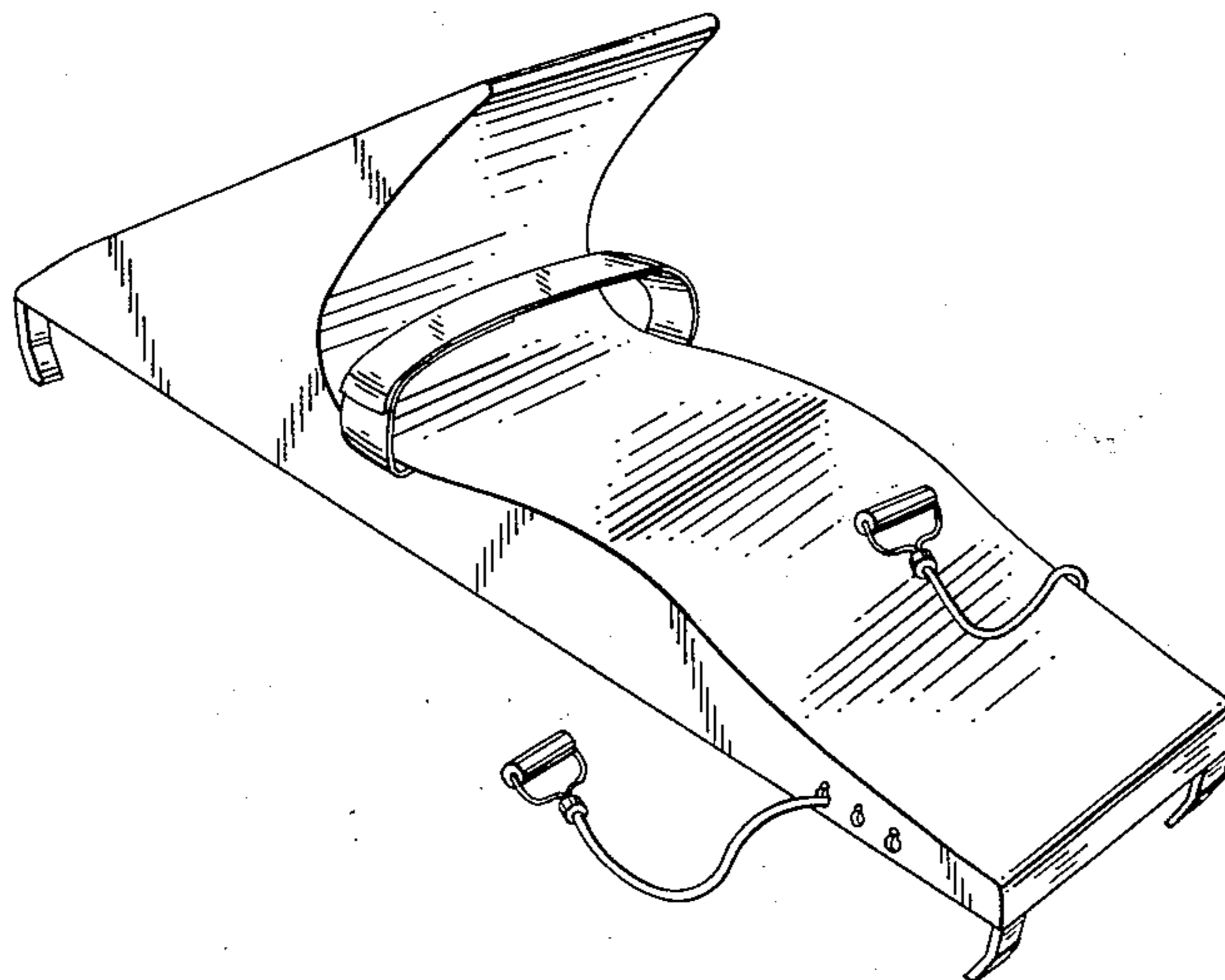
*Primary Examiner*—Charles A. Rademaker

[57] **CLAIM**

The ornamental design for an abdominal muscle trainer, as shown and described.

**DESCRIPTION**

FIG. 1 is a top perspective view of an abdominal muscle trainer showing our new design;  
FIG. 2 is a bottom perspective view thereof;  
FIG. 3 is a side elevational view thereof; and,  
FIG. 4 is an end elevational view thereof.



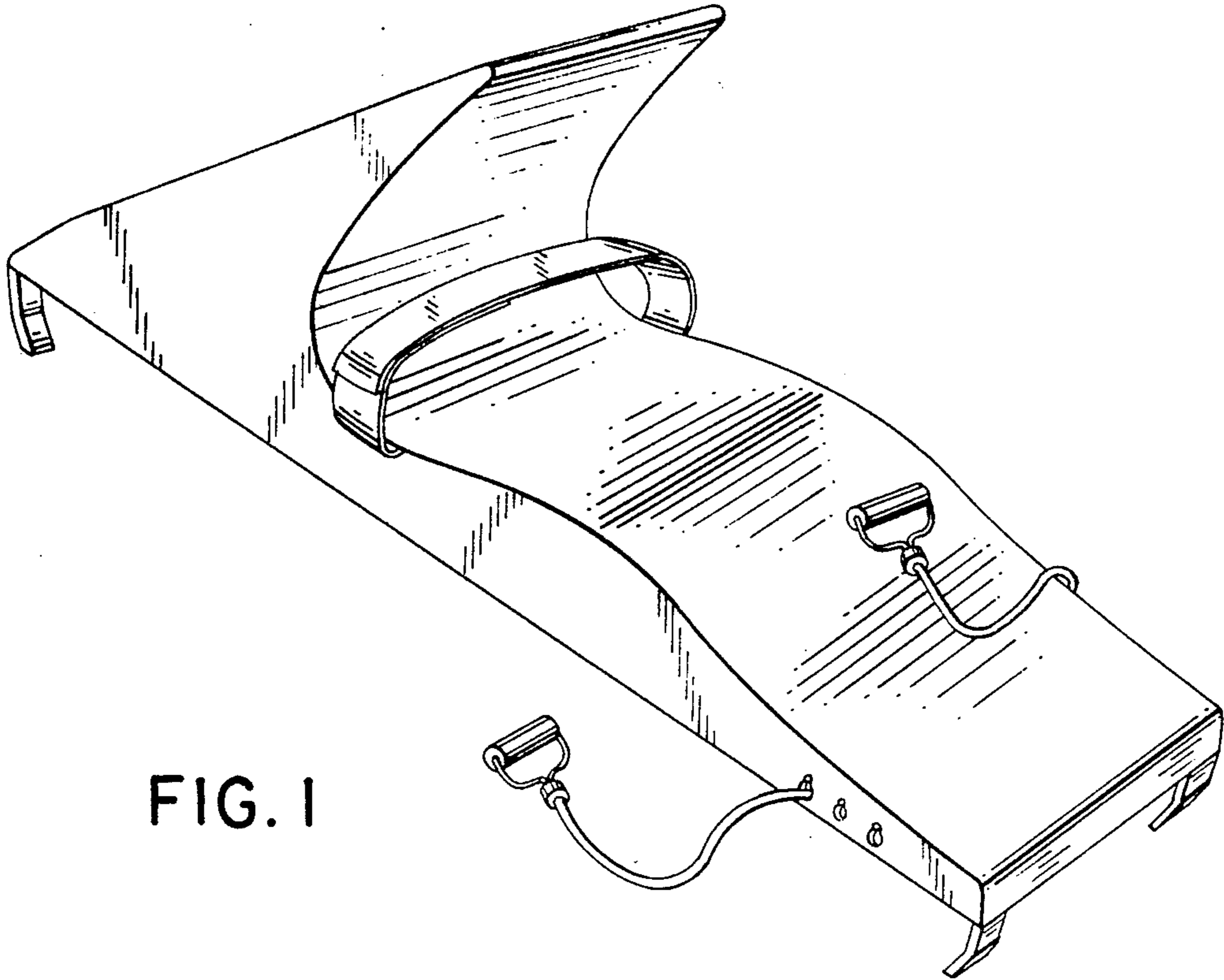


FIG. 1

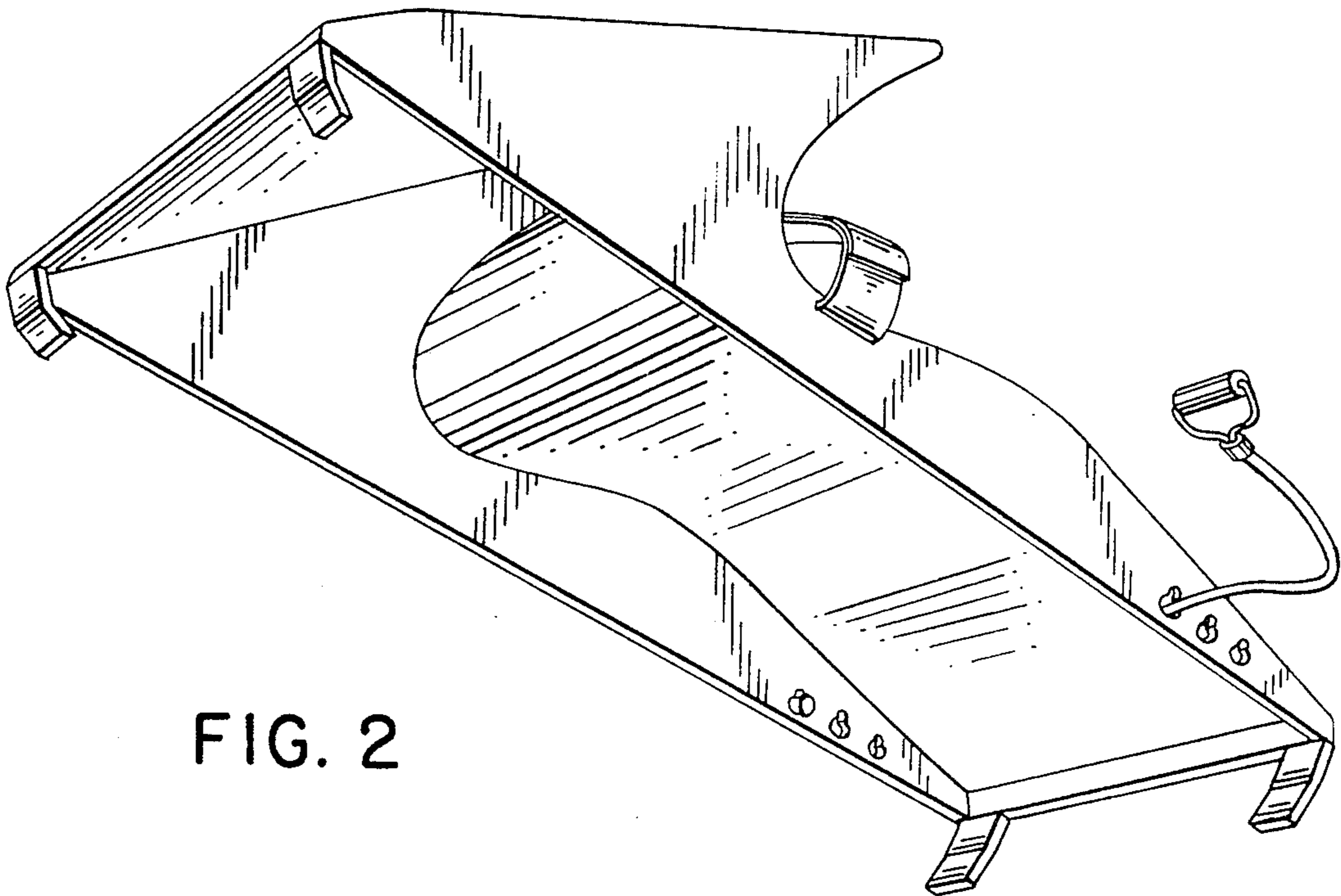


FIG. 2

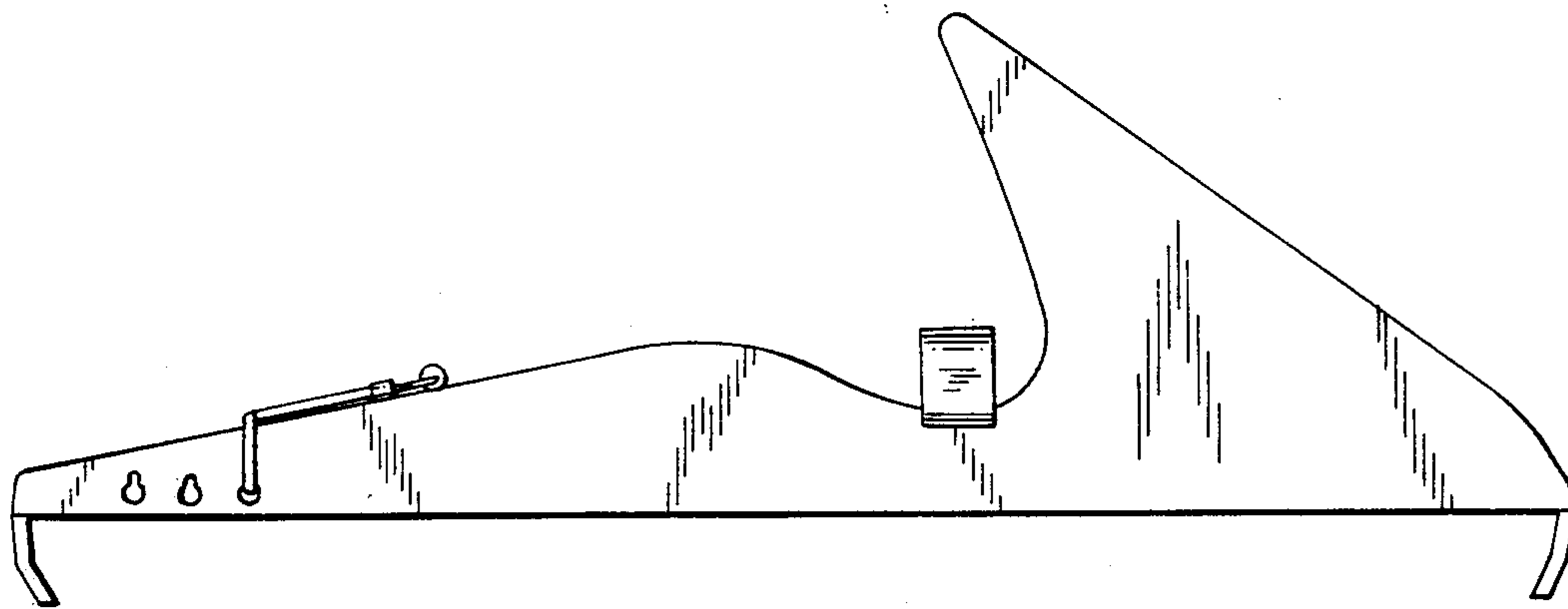


FIG. 3

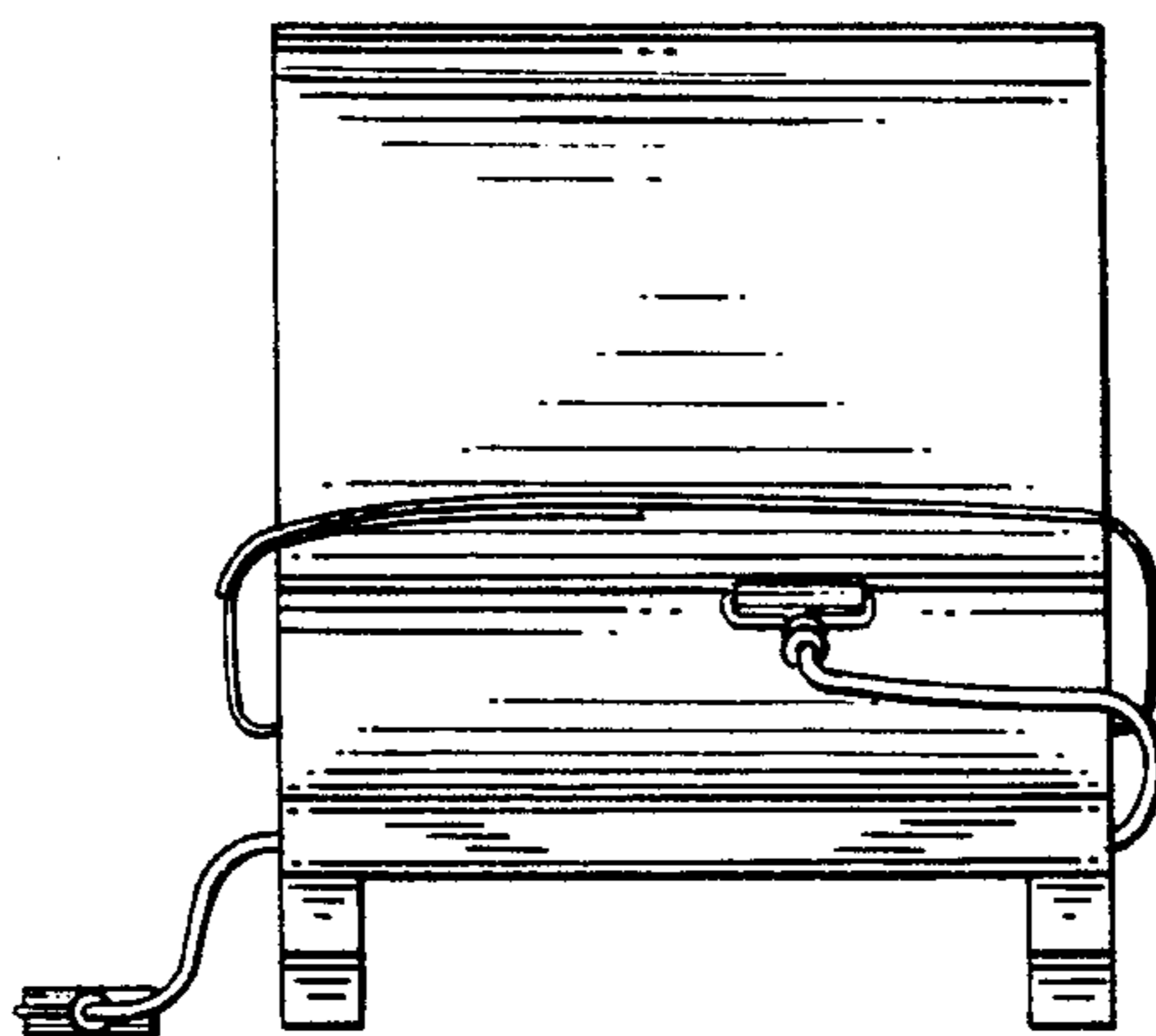


FIG. 4