

# United States Patent [19]

Obenski

[11] Patent Number: **Des. 284,391**

[45] Date of Patent: **\*\* Jun. 24, 1986**

[54] **DISPOSABLE RECEPTACLE FOR A PENCIL SHARPENER**

[76] Inventor: **Kenneth S. Obenski**, 4990 Mt. Bigelow Dr., San Diego, Calif. 92111

[\*\*] Term: **14 Years**

[21] Appl. No.: **498,498**

[22] Filed: **May 26, 1983**

[52] U.S. Cl. .... **D19/99; D19/73; D19/74**

[58] Field of Search ..... **D19/73, 74, 99, 100; 145/3.3; 144/28.1**

[56] **References Cited**

**U.S. PATENT DOCUMENTS**

D. 52,549 10/1918 Wilson ..... D19/99

D. 52,550 10/1918 Wilson ..... D19/99  
D. 134,922 1/1943 Harz ..... D19/99  
D. 251,008 2/1979 Kajiwara ..... D19/73

*Primary Examiner*—George P. Word  
*Attorney, Agent, or Firm*—Charmasson & Holz

[57] **CLAIM**

The ornamental design for a disposable receptacle for a pencil sharpener, as shown and described.

**DESCRIPTION**

FIG. 1 is a front elevational view of a disposable receptacle for a pencil sharpener showing my new design with the lid in the open position;  
FIG. 2 is a rear elevational view thereof;  
FIG. 3 is a right side elevational view thereof;  
FIG. 4 is a left side elevational view thereof;  
FIG. 5 is a top plan view thereof; and  
FIG. 6 is a bottom plan view thereof.

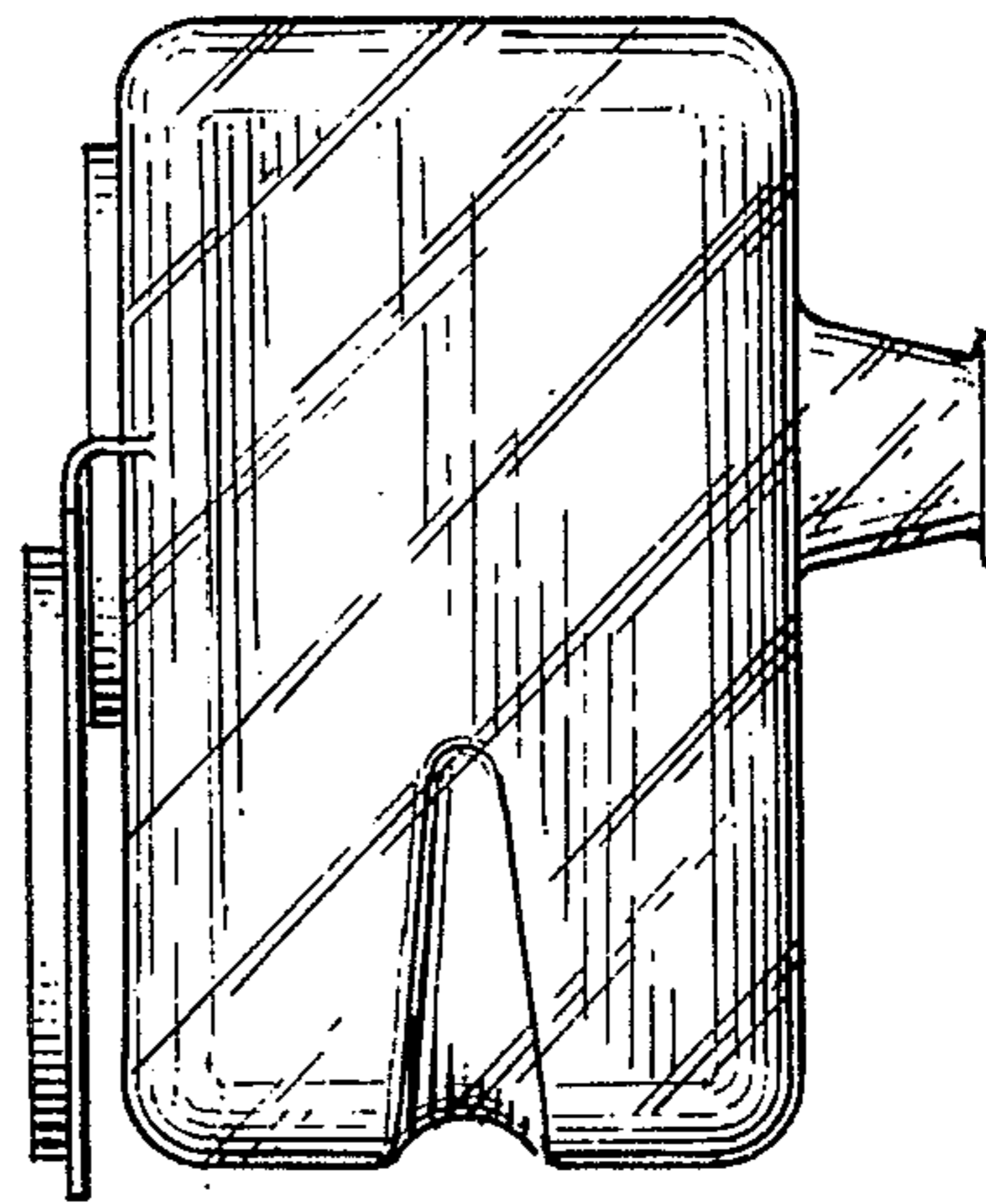
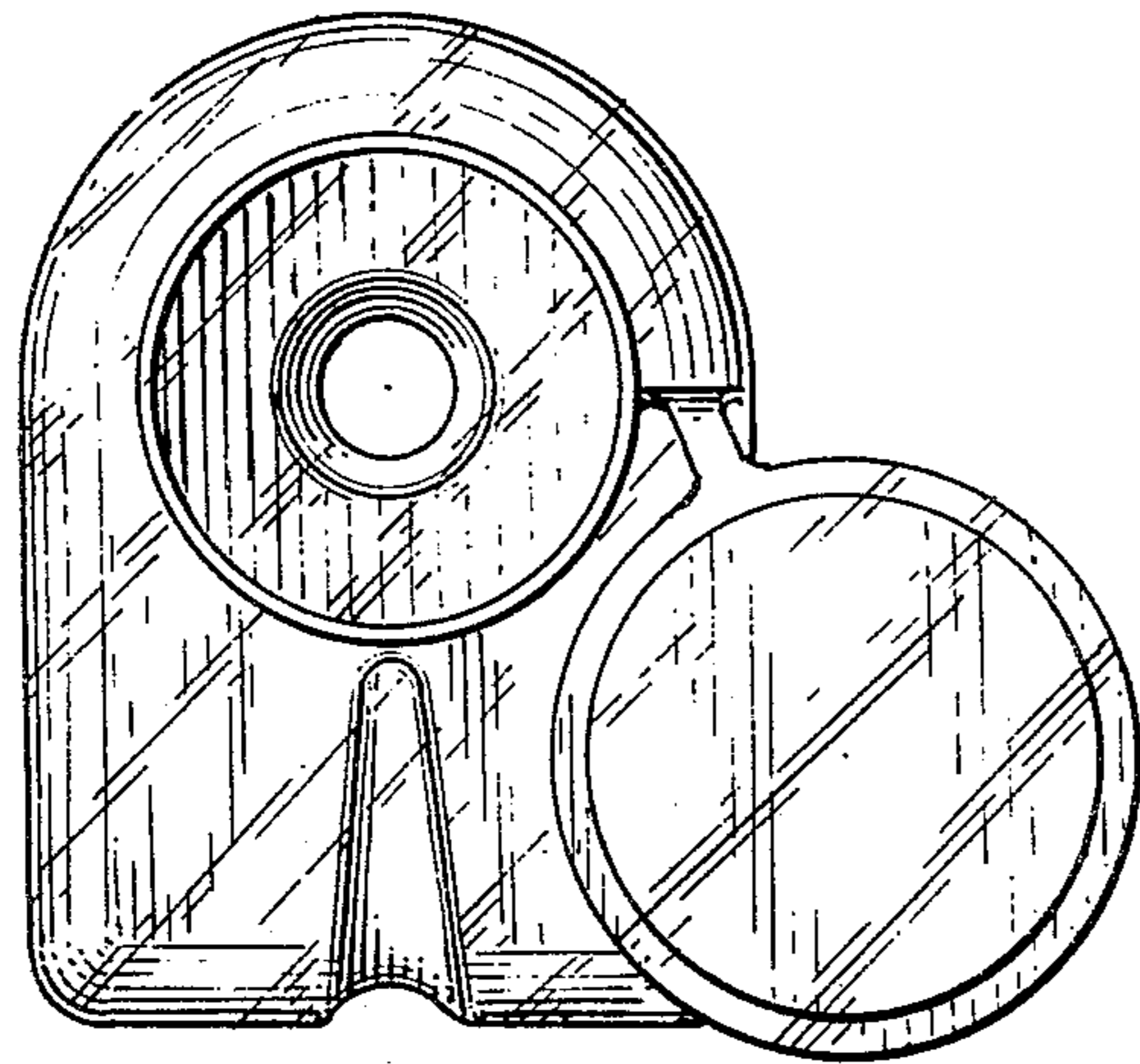


FIG. 1

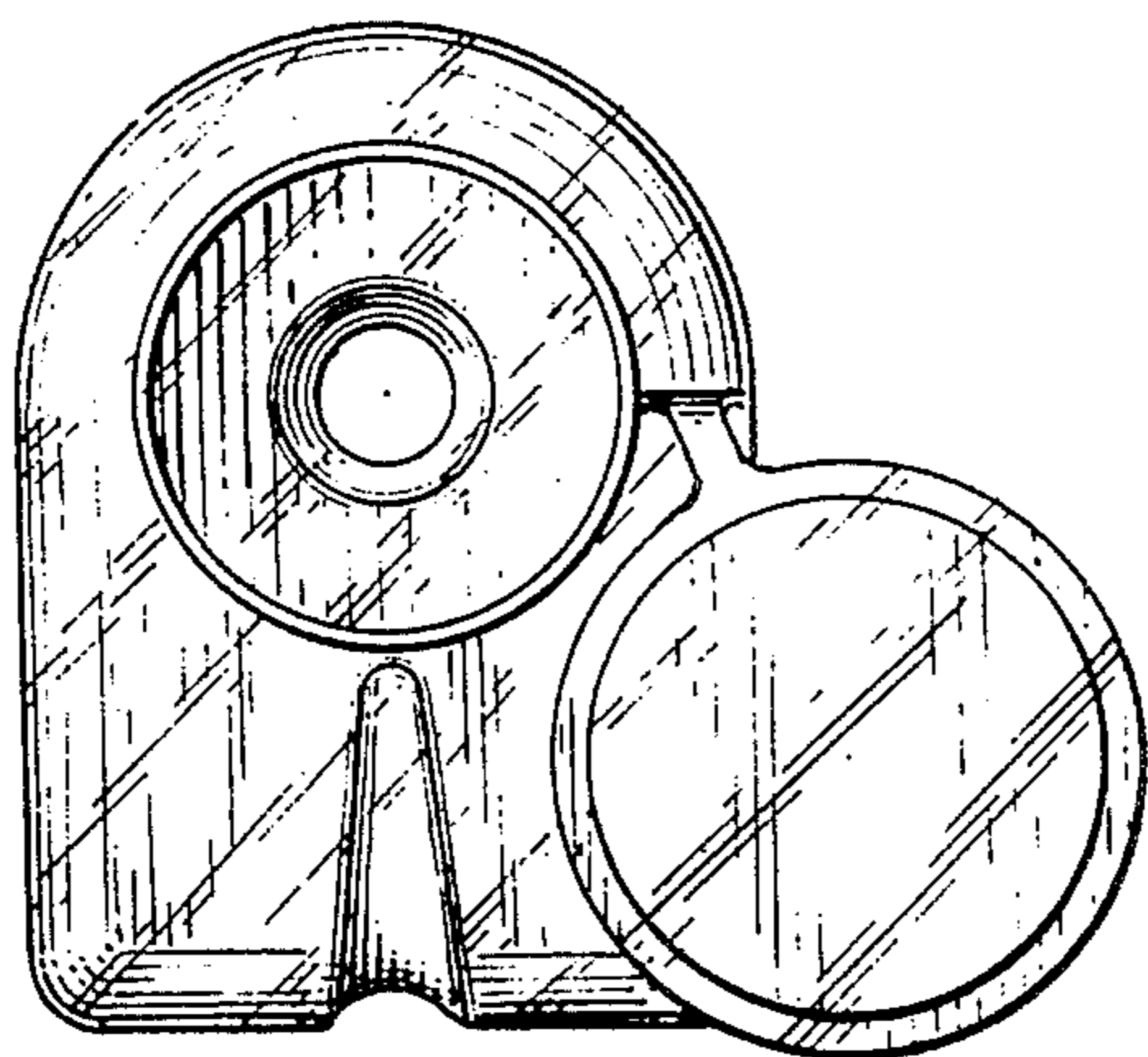


FIG. 3

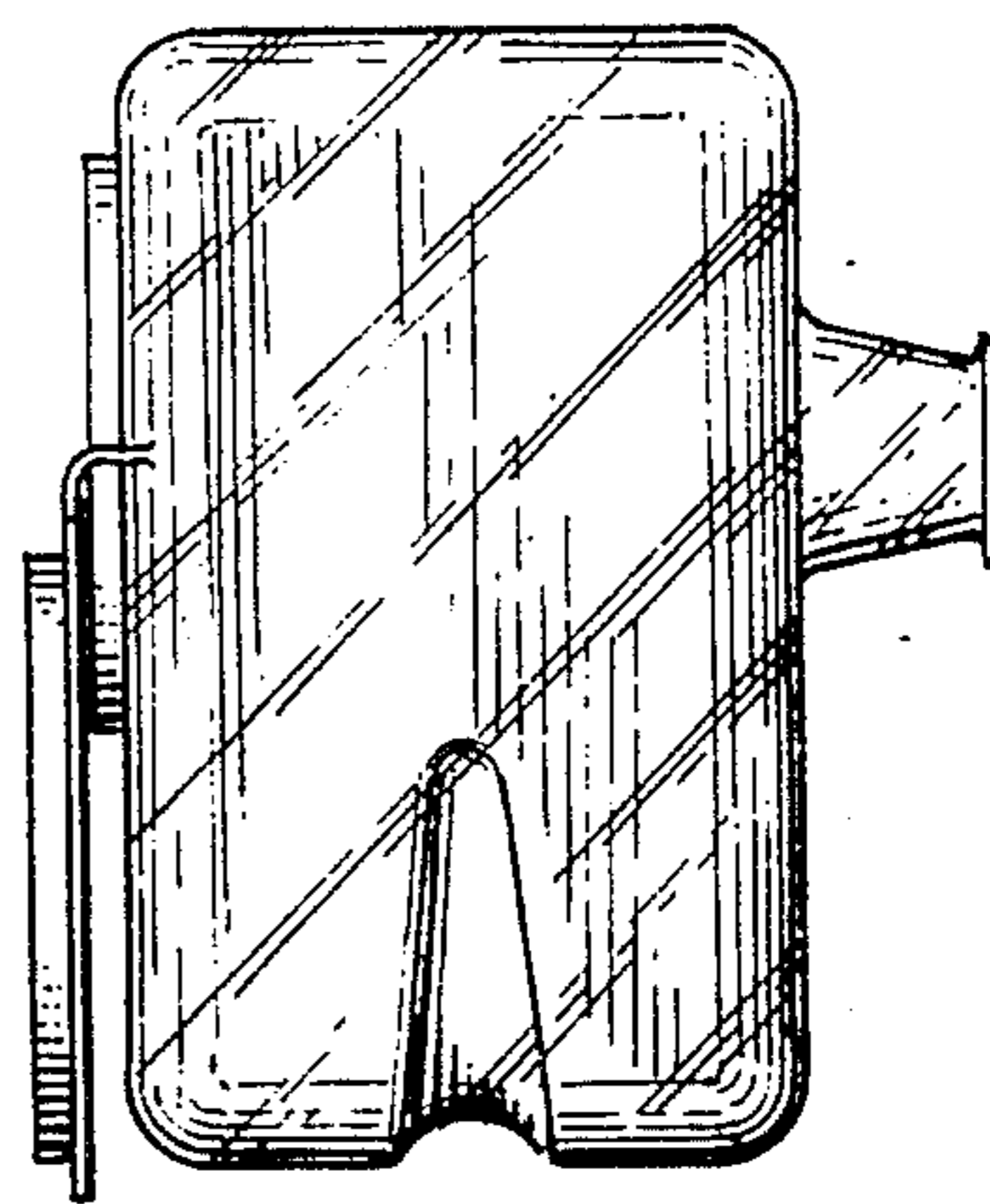


FIG. 2

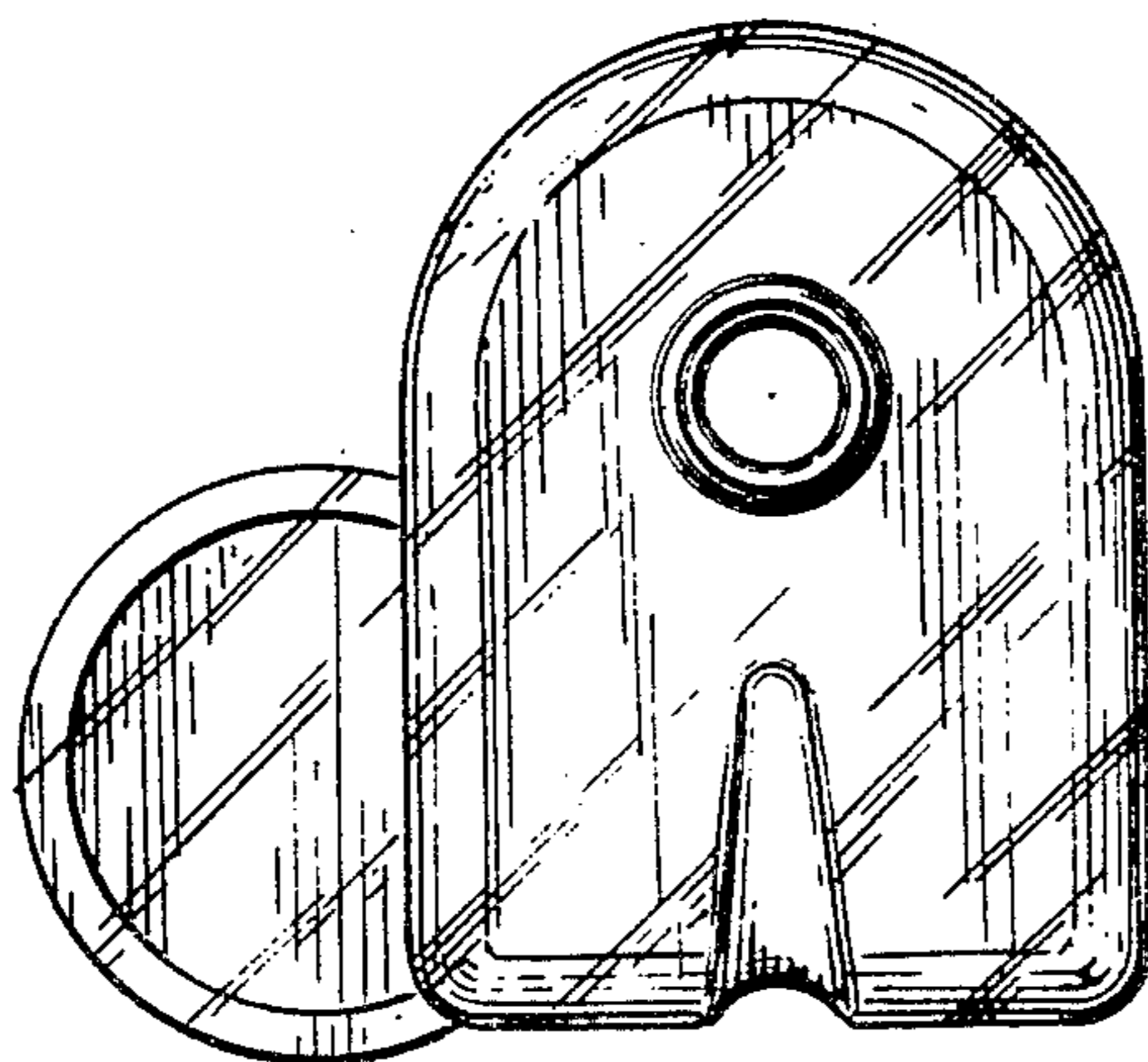


FIG. 4

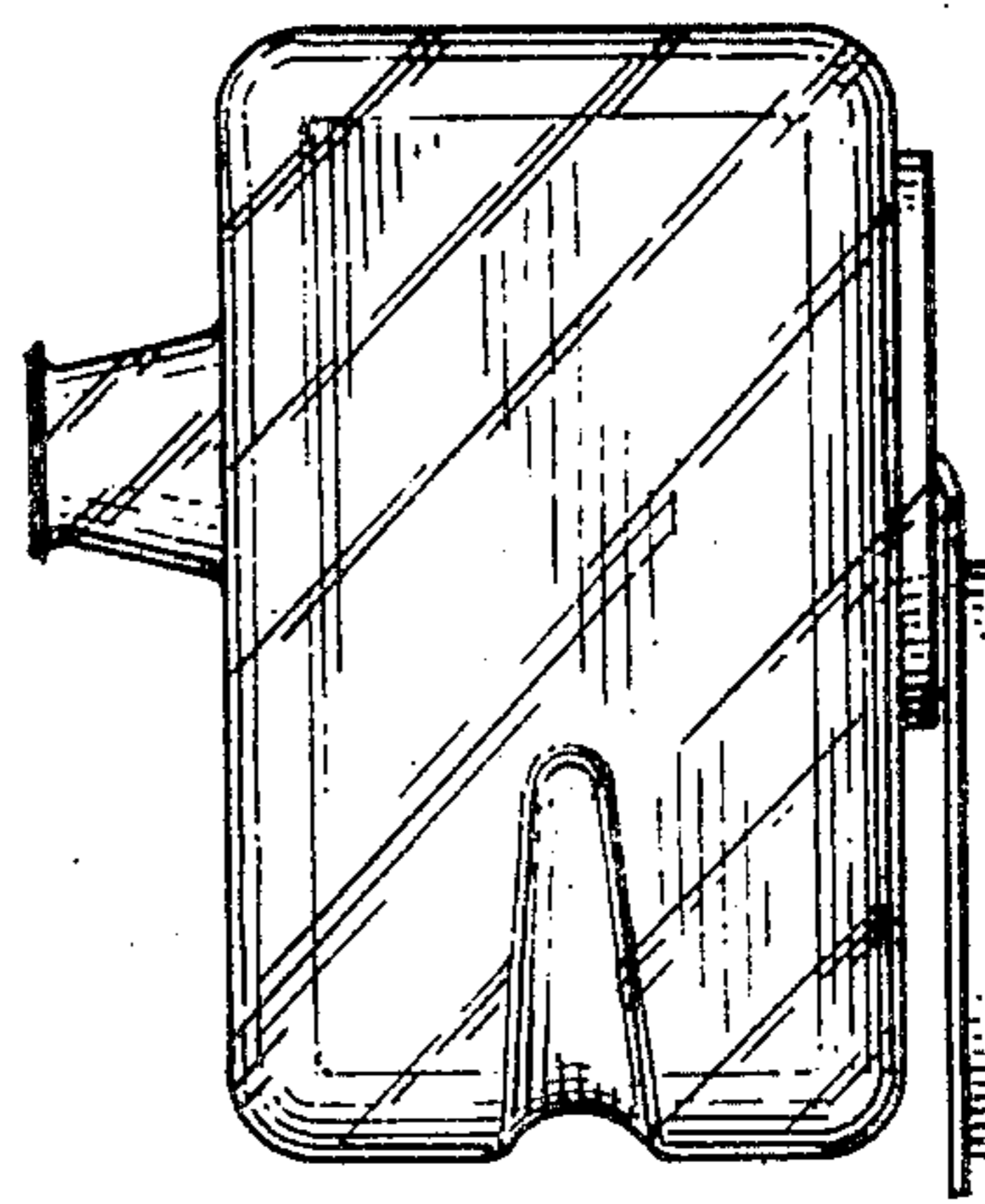


FIG. 5

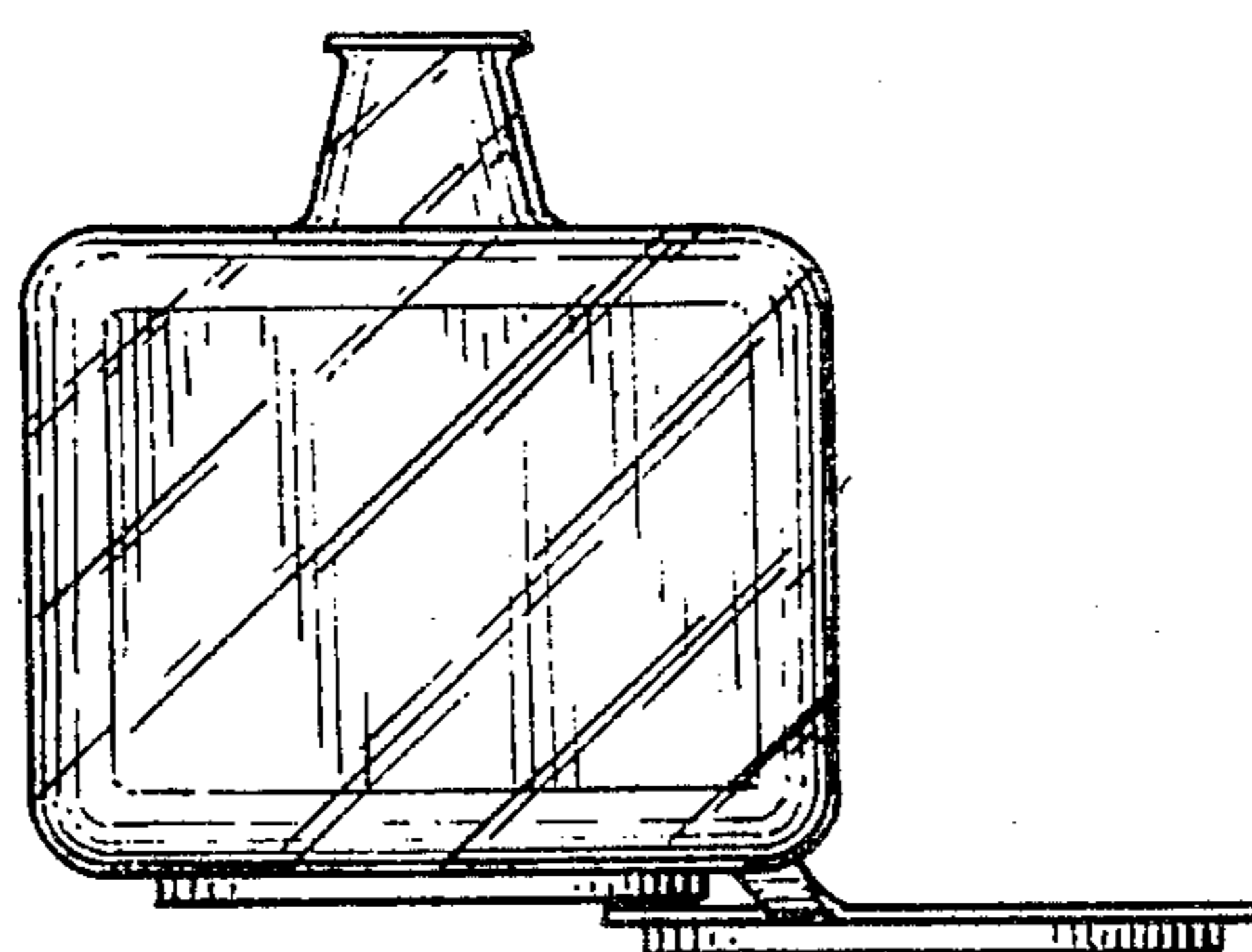


FIG. 6

