

United States Patent [19]

Draddy

[11] Patent Number: **Des. 284,390**

[45] Date of Patent: **** Jun. 24, 1986**

[54] **HOLDER FOR A RULE BOOK AND SCORE CARD**

[76] Inventor: **Roy C. Draddy**, 9 Dunfries Pl., Floreat Park, Western Australia, Australia

[*] Notice: The portion of the term of this patent subsequent to Jul. 5, 2000 has been disclaimed.

[**] Term: **14 Years**

[21] Appl. No.: **473,688**

[22] Filed: **Mar. 8, 1983**

Related U.S. Application Data

[63] Continuation-in-part of Ser. No. 230,285, Jan. 30, 1981, Pat. No. Des. 269,626.

[52] U.S. Cl. **D19/26; D3/58; D19/78; D19/86**

[58] Field of Search D3/56-60; D19/22, 26, 27, 33, 75, 78, 84-87; 401/52; 281/15 B

[56] References Cited PUBLICATIONS

Ambassador Leather Goods Cat. 1971, p. 37, Physician's Wallet.

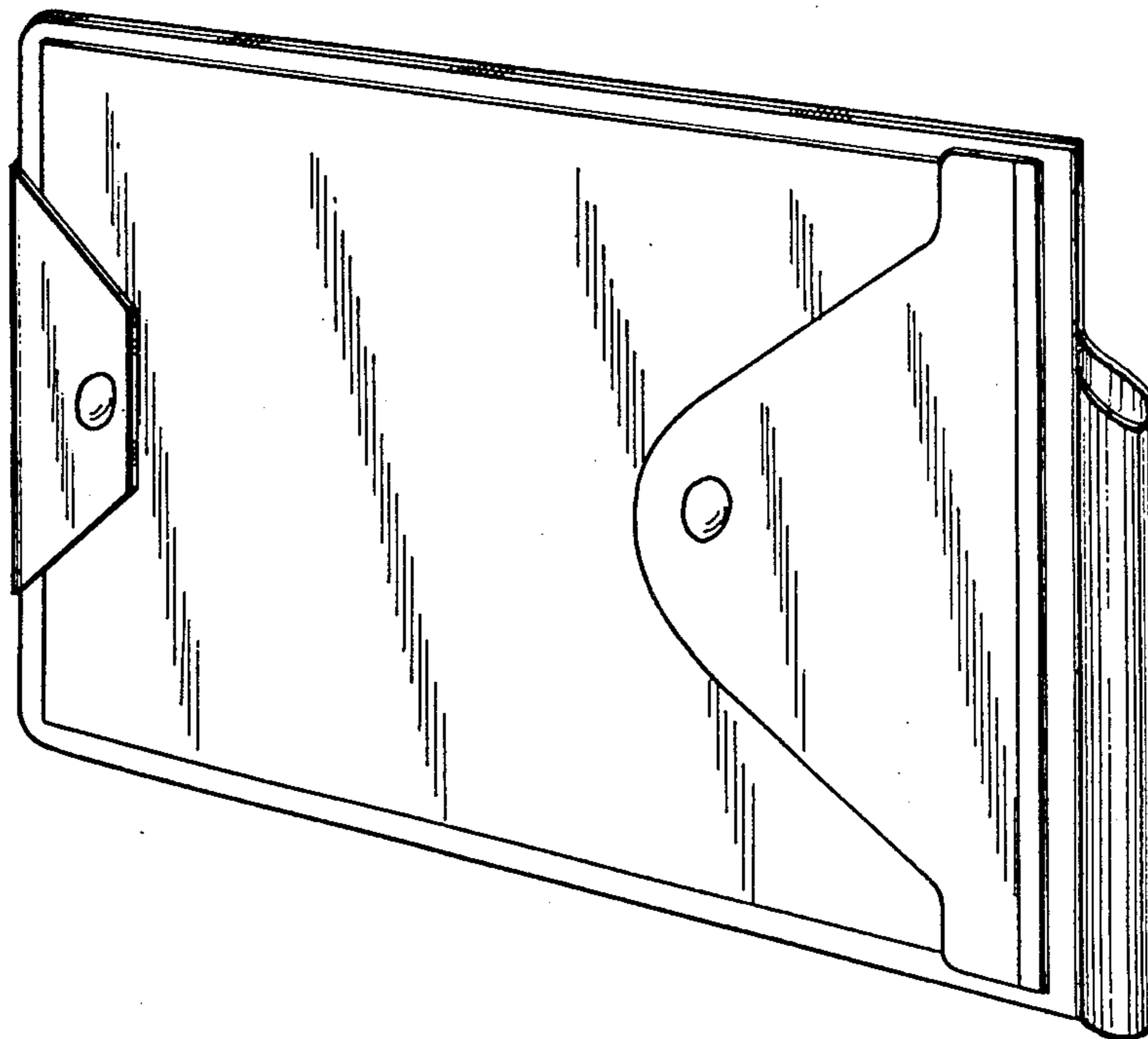
Primary Examiner—George P. Word
Attorney, Agent, or Firm—Richards, Harris, Medlock & Andrews

[57] CLAIM

The ornamental design for a holder for a rule book and score card, as shown and described.

DESCRIPTION

FIG. 1 is a front perspective view of a holder for a rule book and score card showing my new design; FIG. 2 is a rear perspective view thereof; FIG. 3 is a reduced scale plan view of the interior in an open position; and FIG. 4 is a reduced scale plan view of the exterior in an open position.



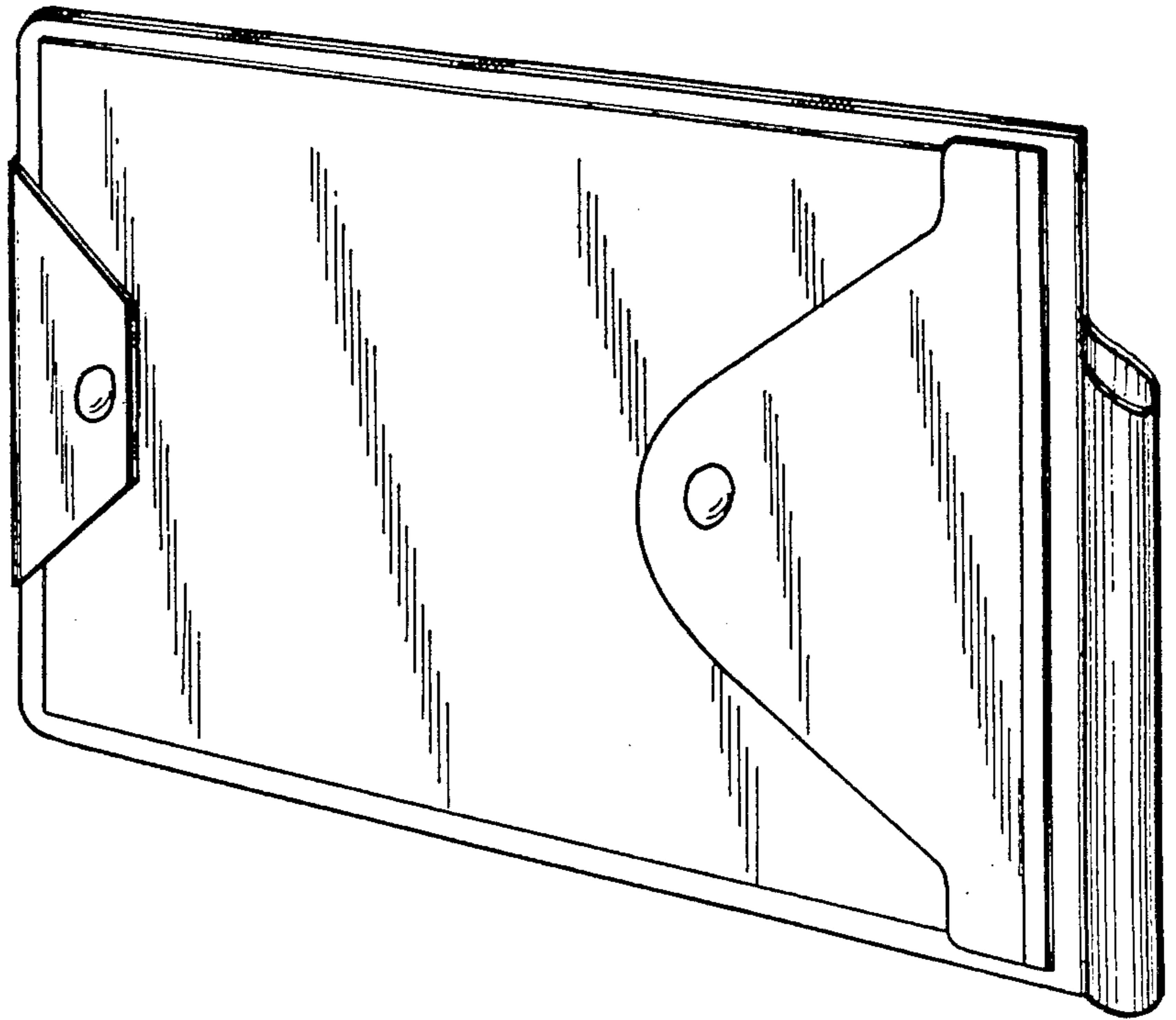


FIG. 1.

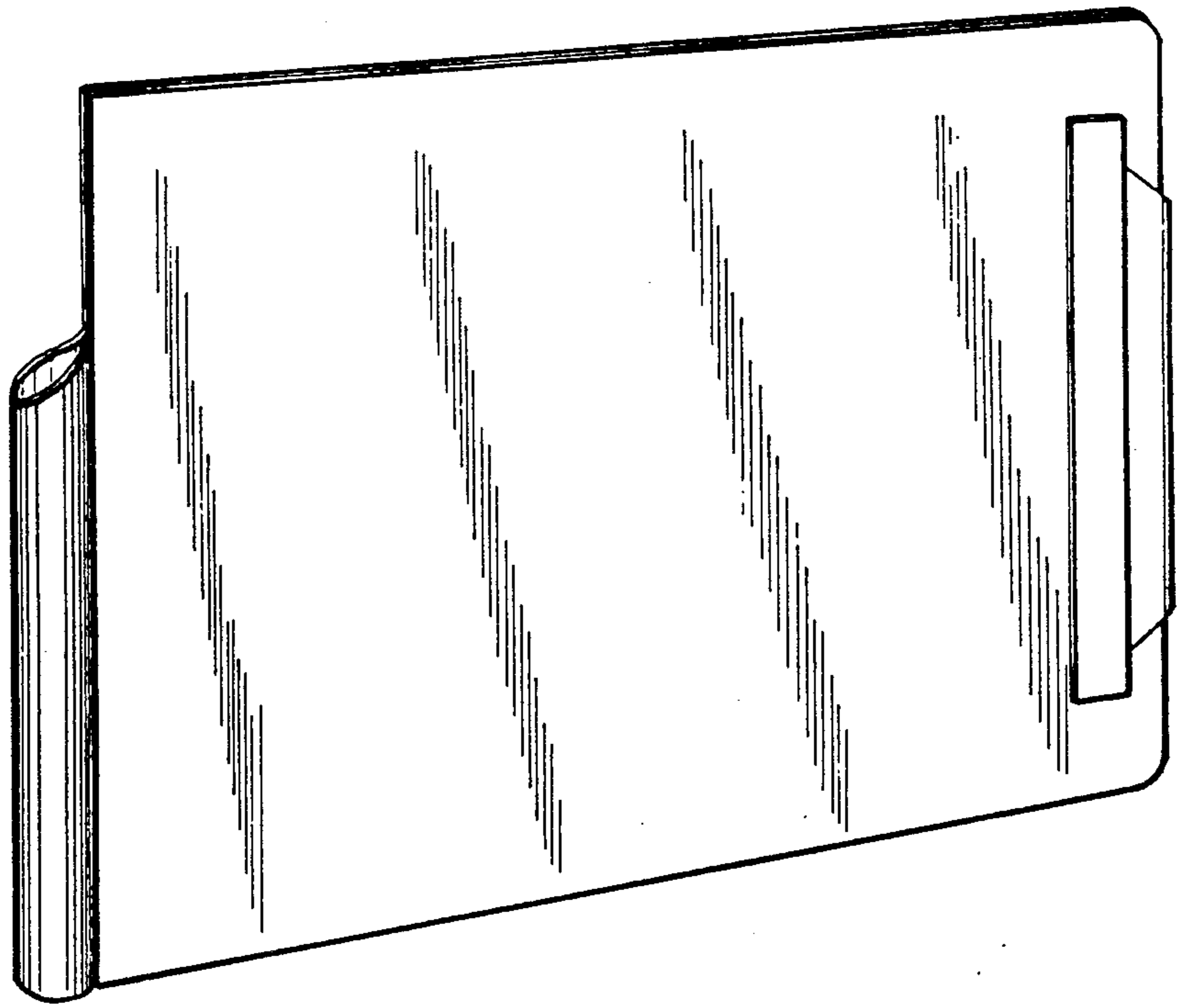


FIG. 2.

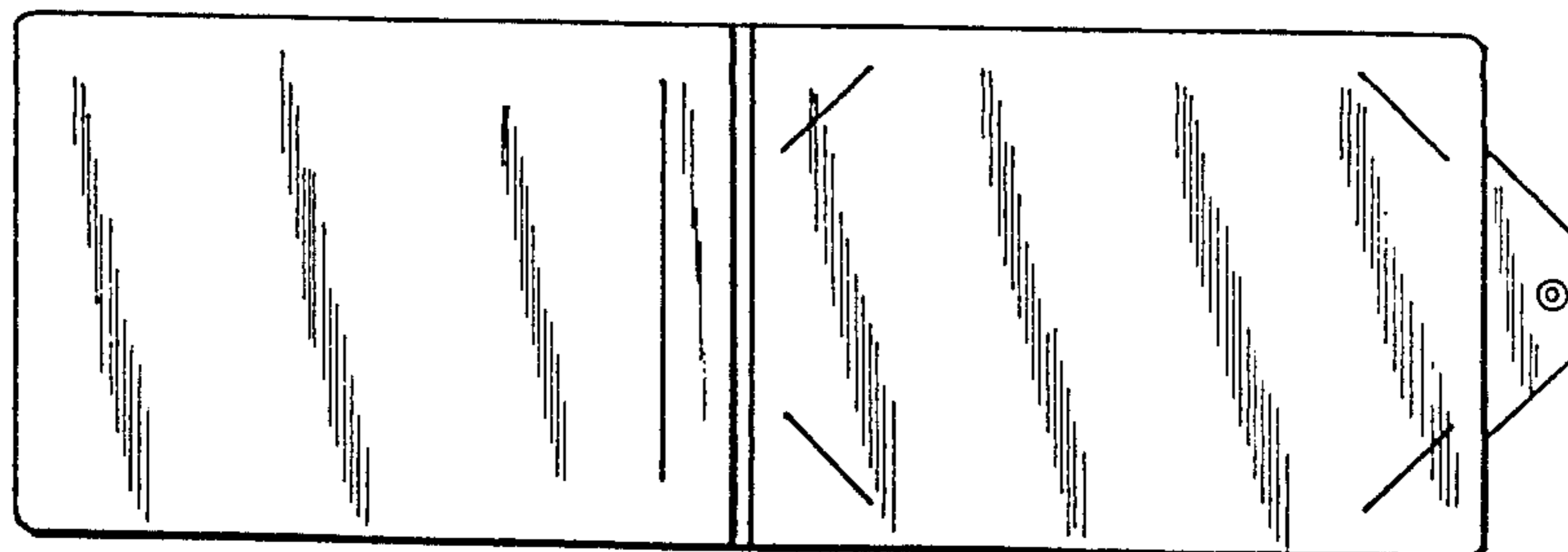


Fig. 3,

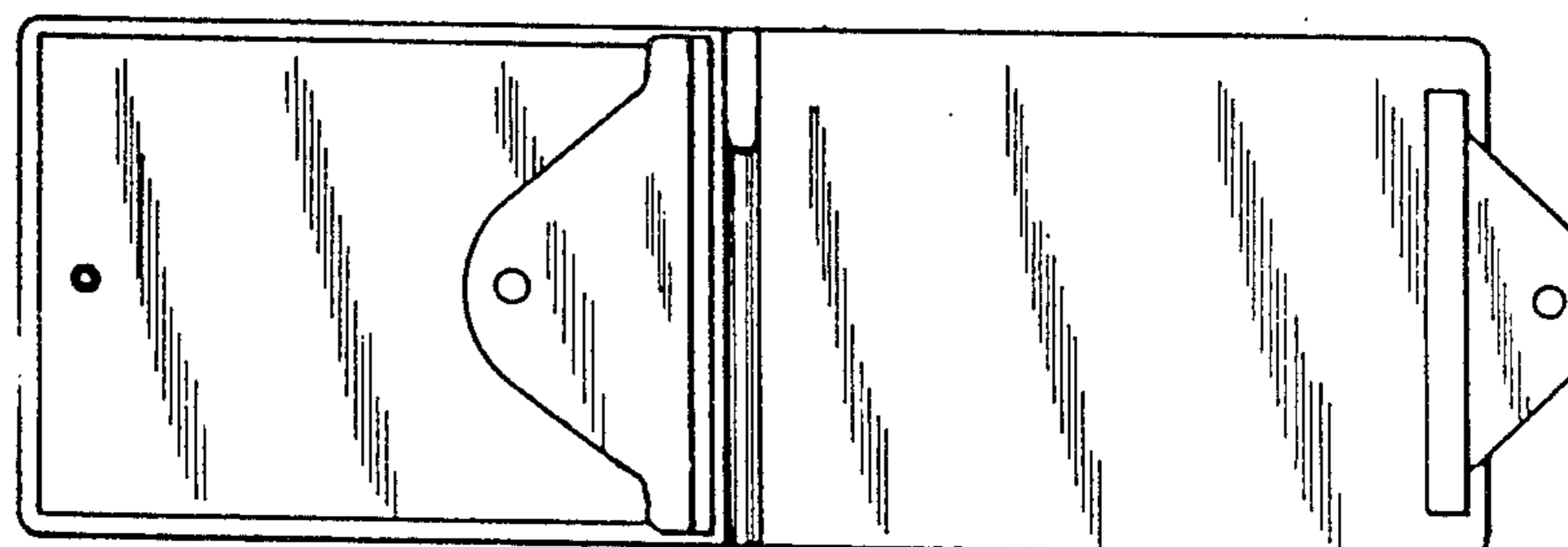


Fig. 4,