

[54] ELECTROSTATIC COPYING MACHINE

[75] Inventor: Yasuhiro Saito, Kanagawa, Japan

[73] Assignee: Ricoh Company, Ltd., Japan

[**] Term: 14 Years

[21] Appl. No.: 535,670

[22] Filed: Sep. 26, 1983

[30] Foreign Application Priority Data

Mar. 24, 1983 [JP] Japan 58-012121

Mar. 24, 1983 [JP] Japan 58-012122

[52] U.S. Cl. D16/31

[58] Field of Search D16/27-32;
355/3-5 R, 8-11, 14 R, 3 SH, 14 SH, 35 H, 51

[56] References Cited

U.S. PATENT DOCUMENTS

- D. 245,612 8/1977 Zeuthen D16/31
- D. 246,526 11/1977 Kurozumi D16/31
- D. 264,345 5/1982 Masaki D16/31
- D. 264,727 6/1982 Matsuzaka D16/31
- D. 265,656 8/1982 Matsushima D16/31
- D. 270,164 8/1983 Sawada D16/31
- D. 270,452 9/1983 Sakurai D16/31
- D. 278,152 3/1985 Hara D16/31

OTHER PUBLICATIONS

Ricoh FT 4700 (Flyer)—1/81—Copier at top-right—back side.

Primary Examiner—Nelson C. Holtje

Attorney, Agent, or Firm—Guy W. Shoup

[57] CLAIM

The ornamental design for an electrostatic copying machine, as shown and described.

DESCRIPTION

FIG. 1 is a front elevational view of an electrostatic copying machine showing my new design;

FIG. 2 is a top plan view thereof;

FIG. 3 is a right side elevational view thereof;

FIG. 4 is a left side elevational view thereof;

FIG. 5 is a rear elevational view thereof;

FIG. 6 is a bottom plan view thereof;

FIG. 7 is a right front perspective view thereof;

FIG. 8 is a right front perspective view thereof with the paper feeding and copy holding and receiving trays in place;

FIG. 9 is a front elevational view another embodiment of my new design of FIGS. 1-8;

FIG. 10 is a top plan view thereof;

FIG. 11 is a right side elevational view thereof;

FIG. 12 is a left side elevational view thereof;

FIG. 13 is a rear elevational view thereof;

FIG. 14 is a bottom plan view thereof;

FIG. 15 is a right front perspective view thereof;

FIG. 16 is a right front perspective view thereof with the paper feeding and copy holding and receiving trays in place.

The paper feeding, copy holding, and receiving trays have been omitted in FIGS. 1-7 and 9-15 for ease of illustration and clarity.

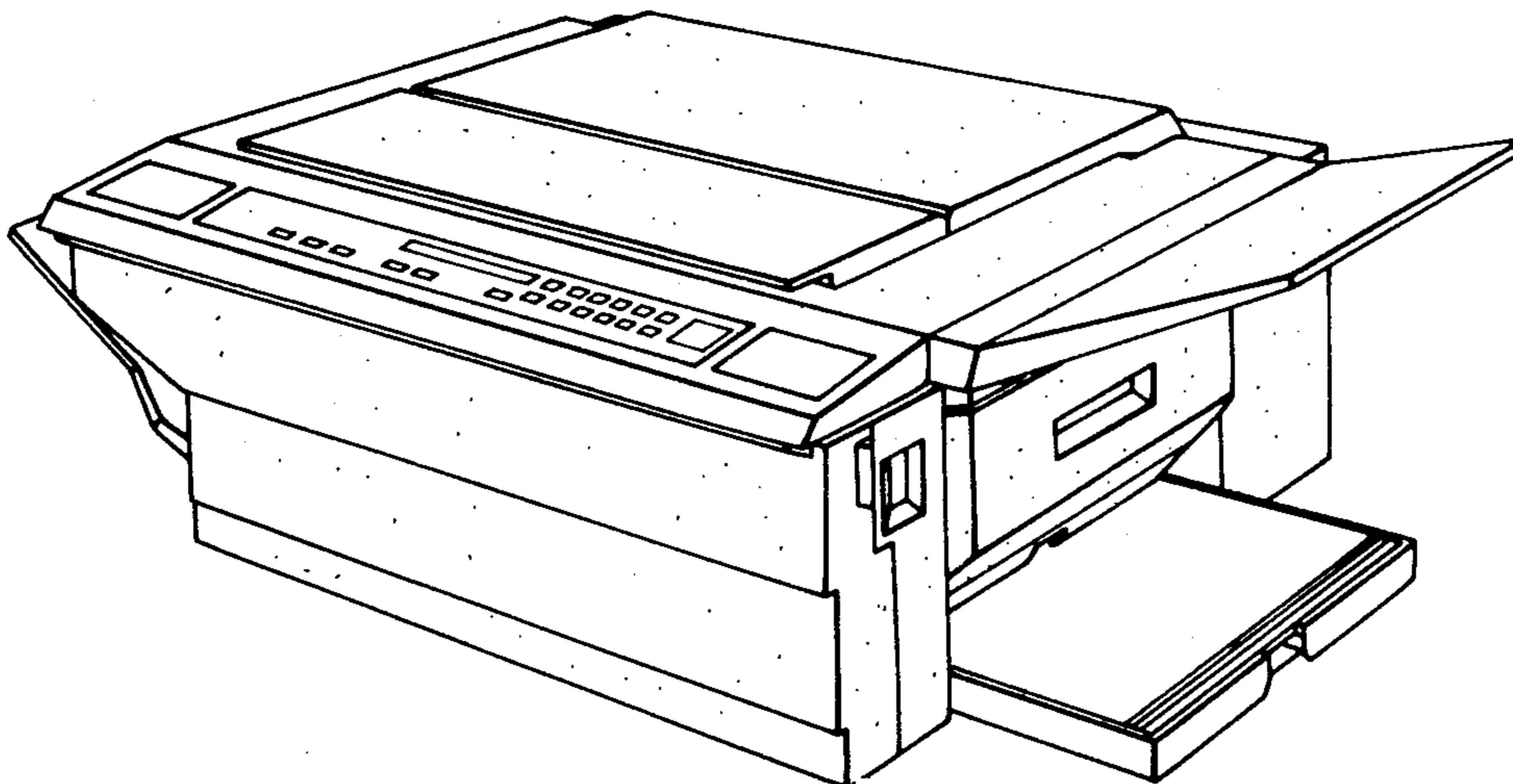


FIG. 1

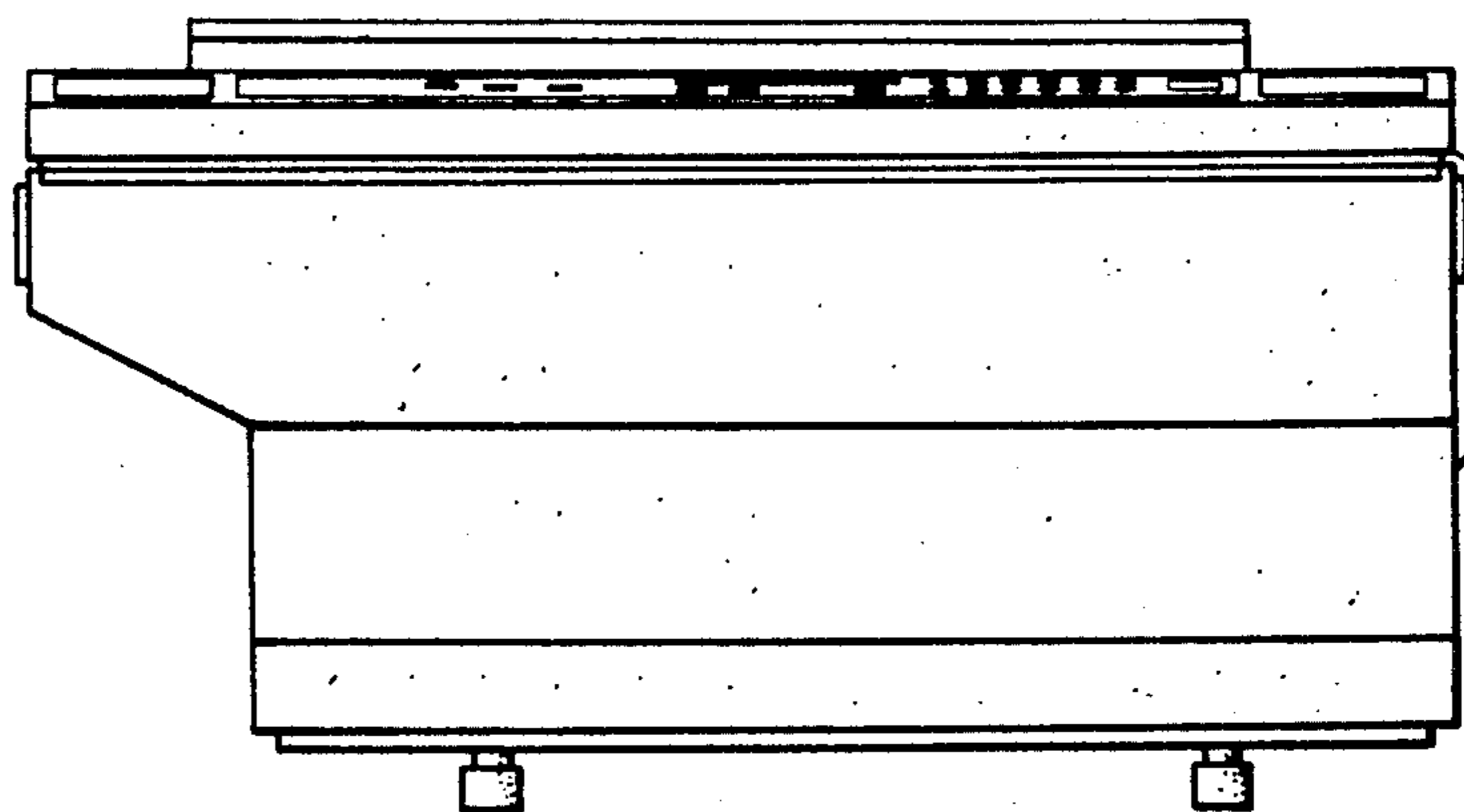


FIG. 2

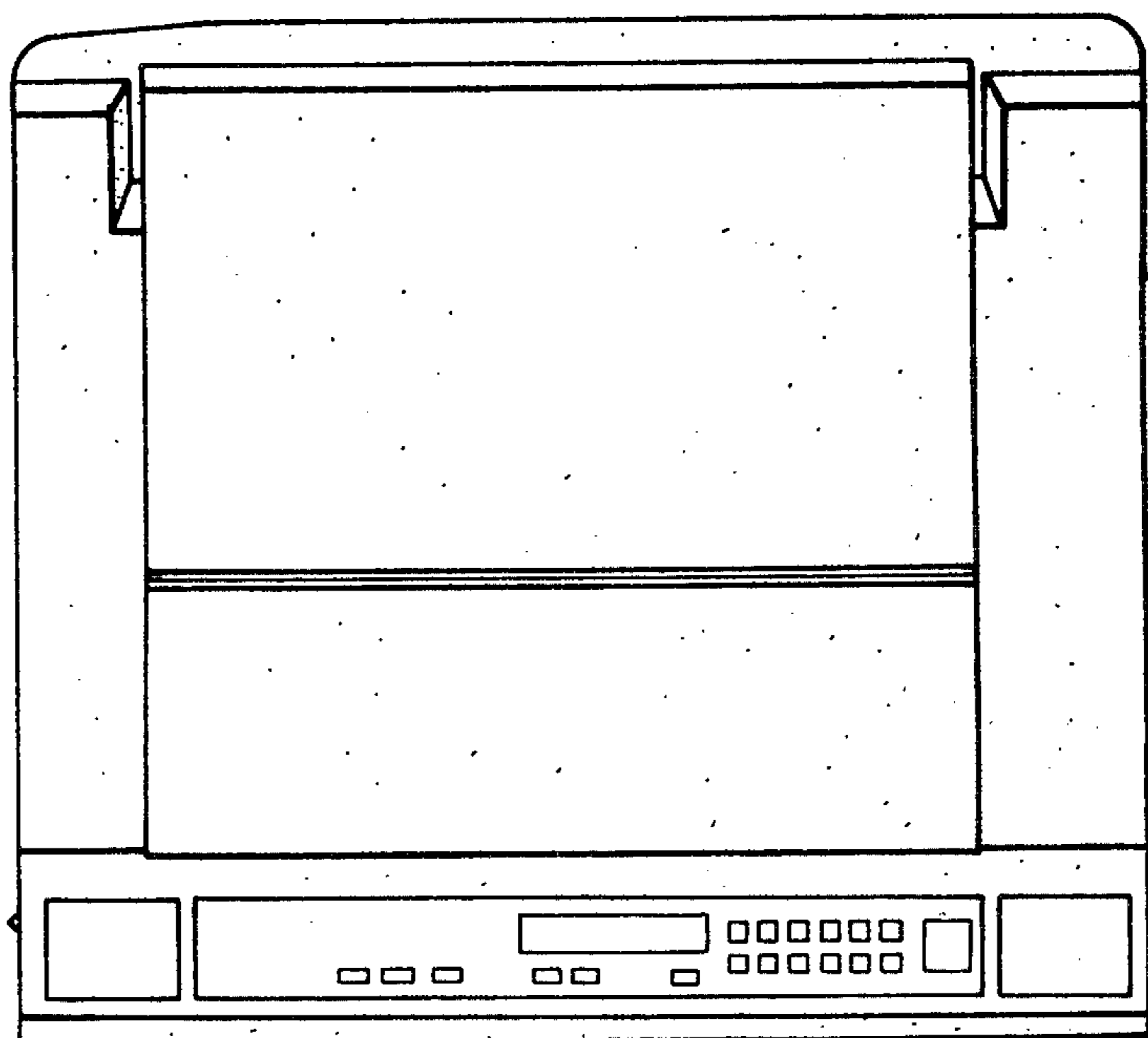


FIG. 3

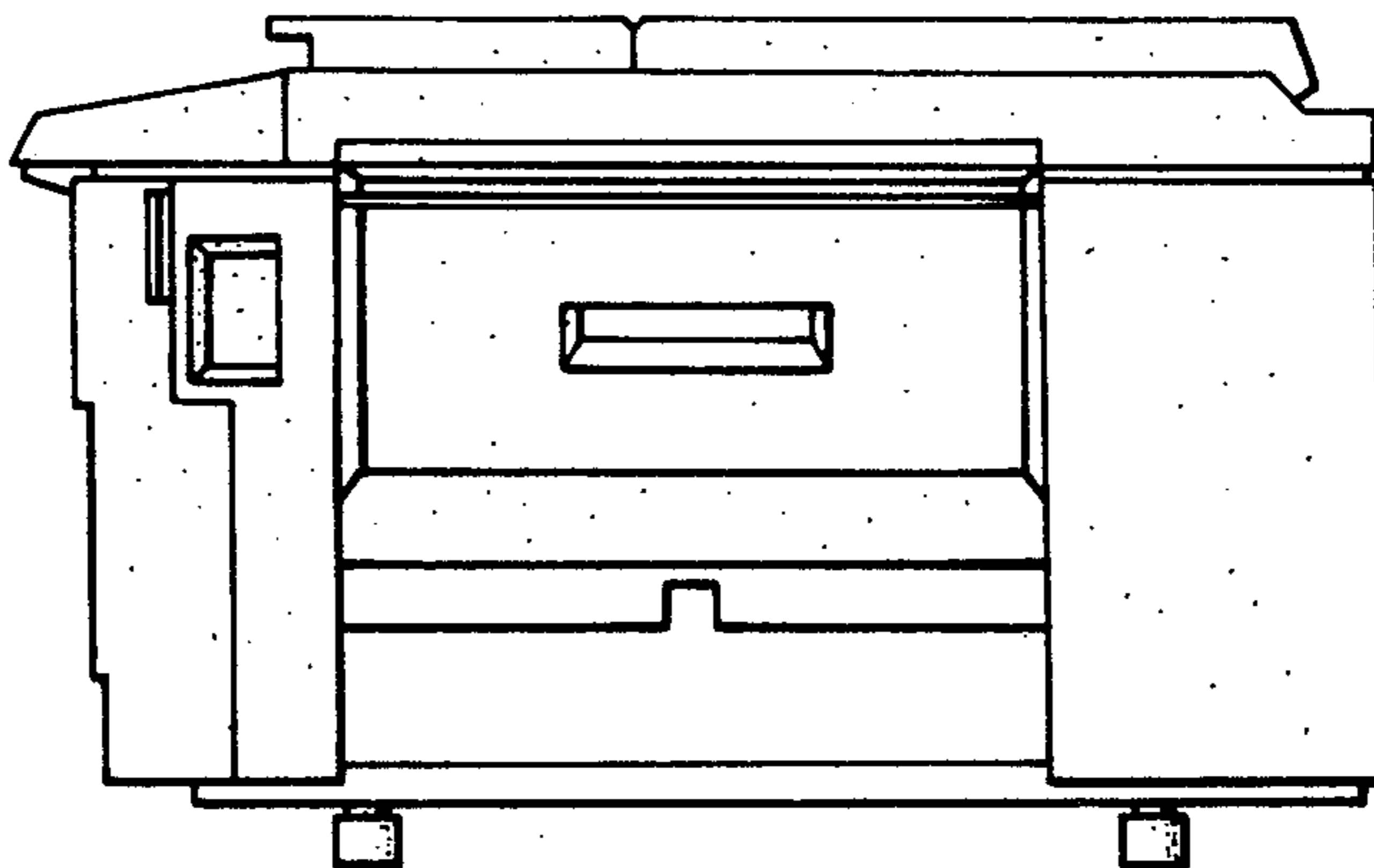


FIG. 4



FIG. 5

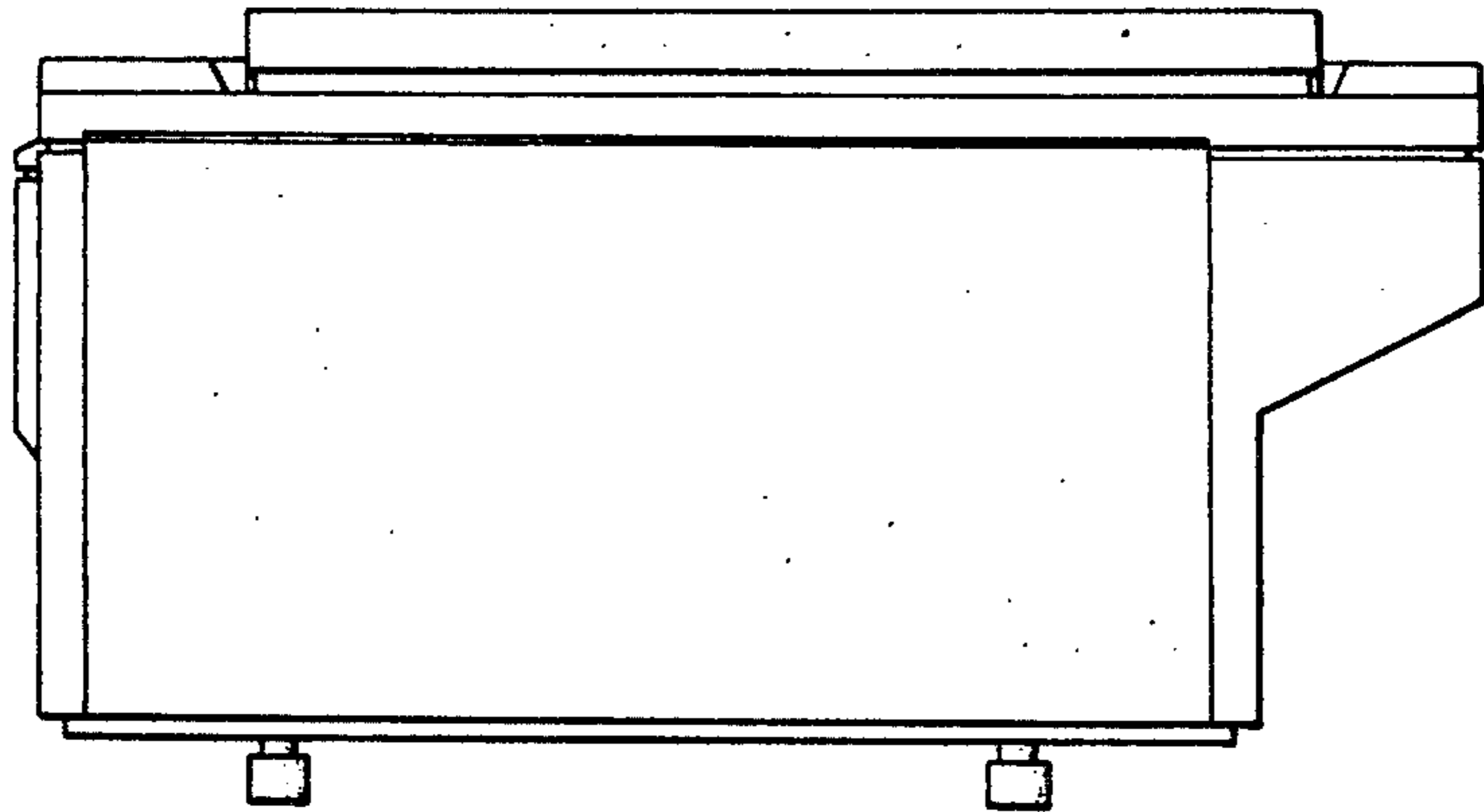


FIG. 6

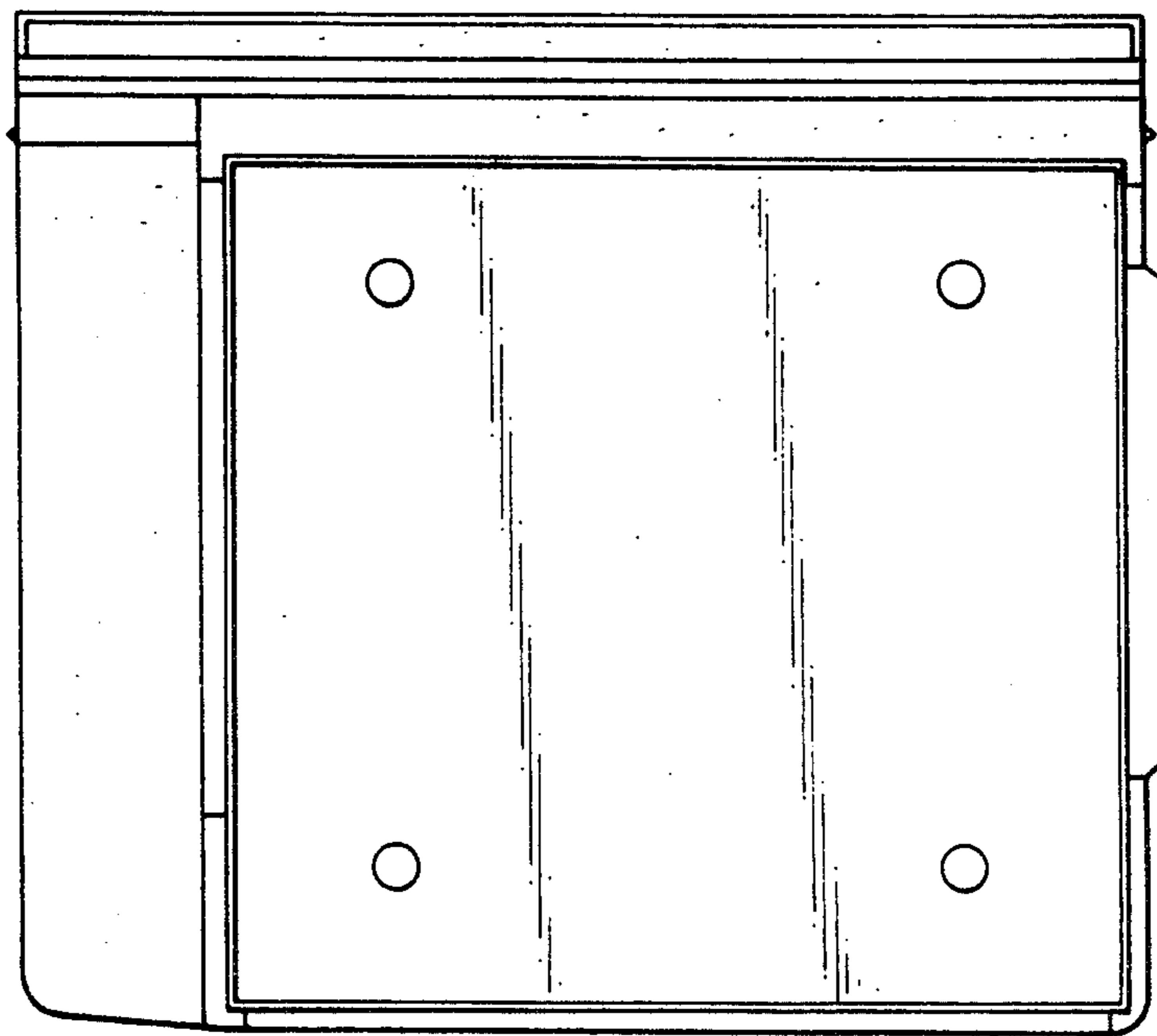


FIG. 7

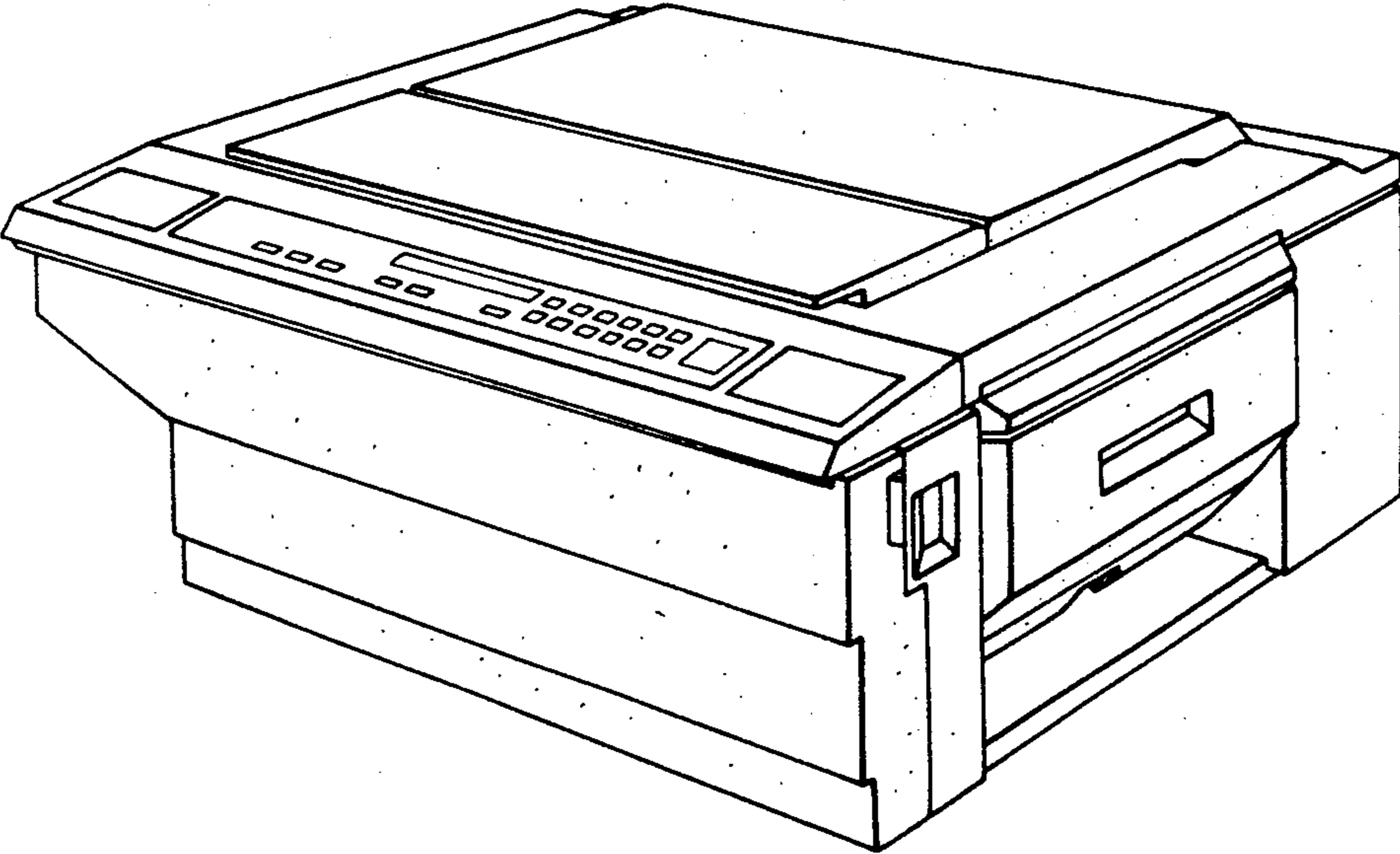


FIG. 8

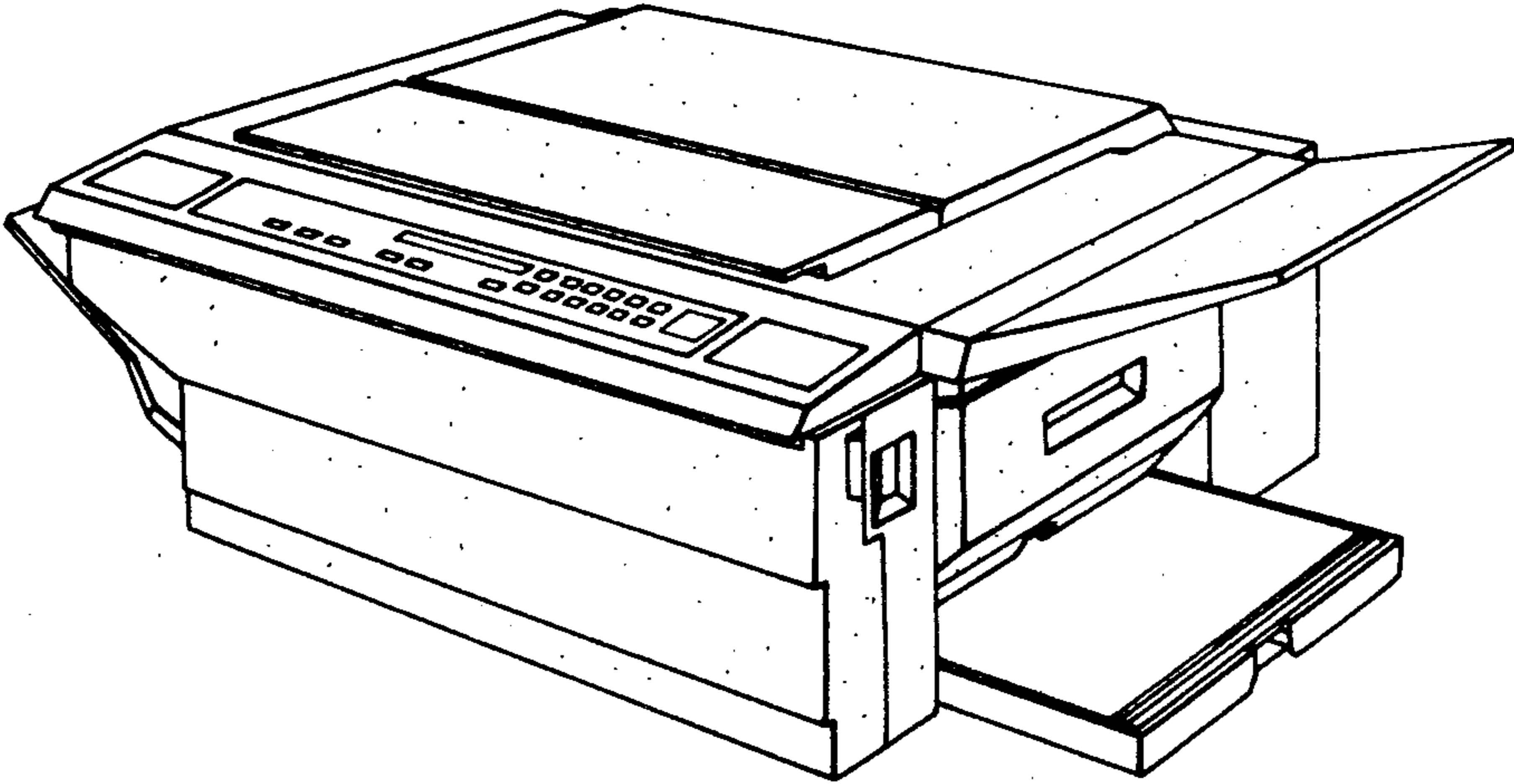


FIG. 9

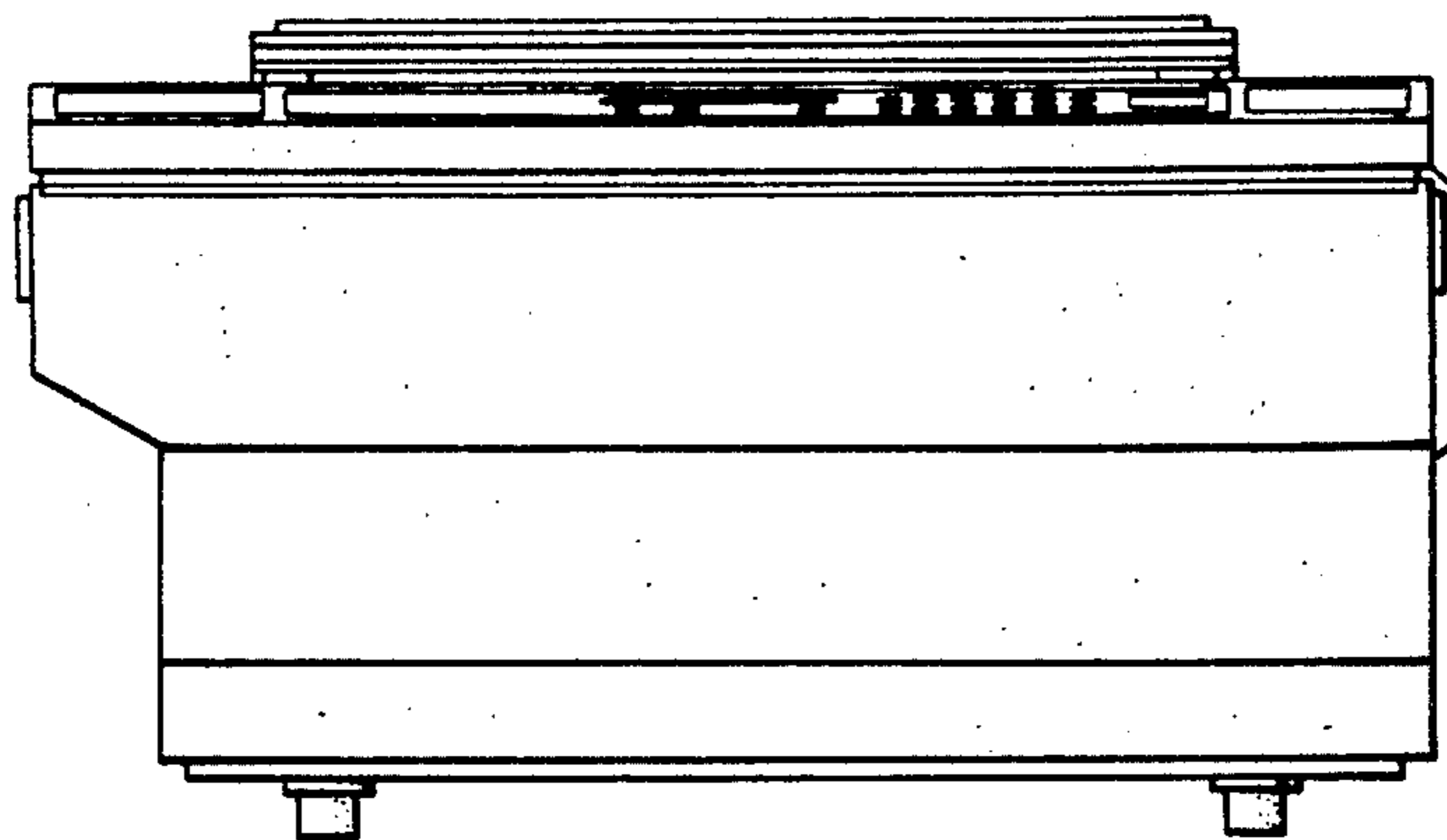


FIG. 10

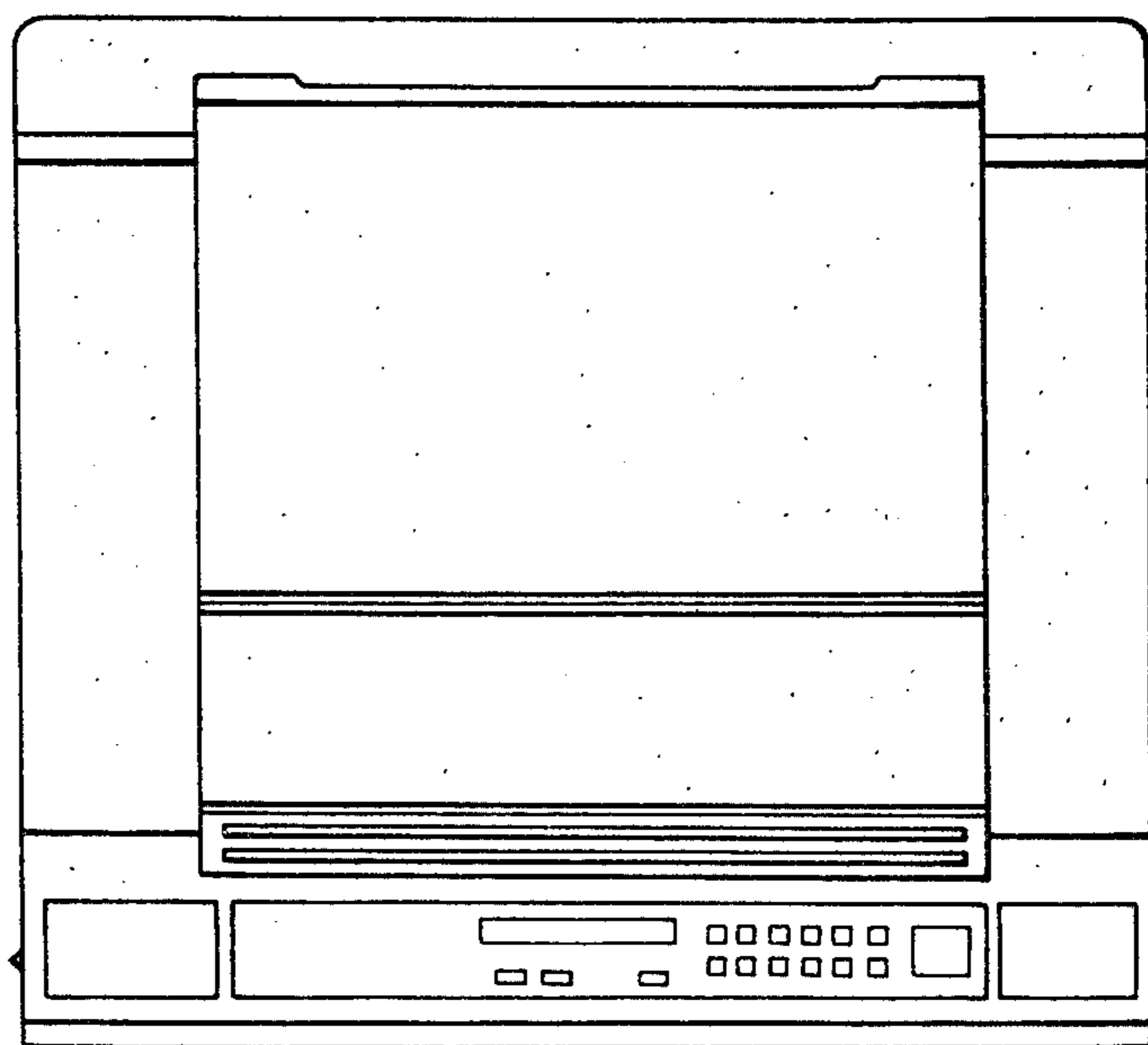


FIG. 11

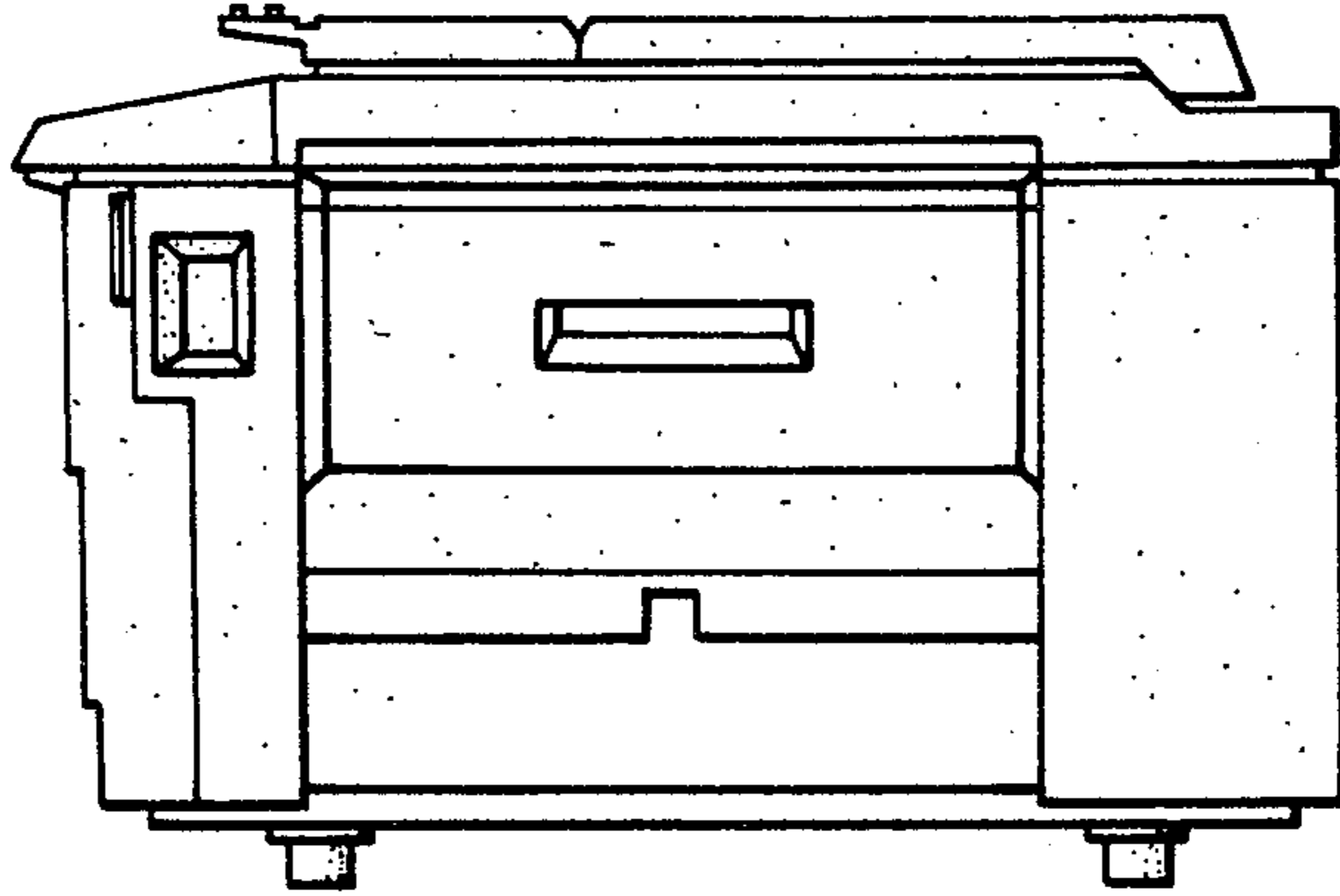


FIG. 12

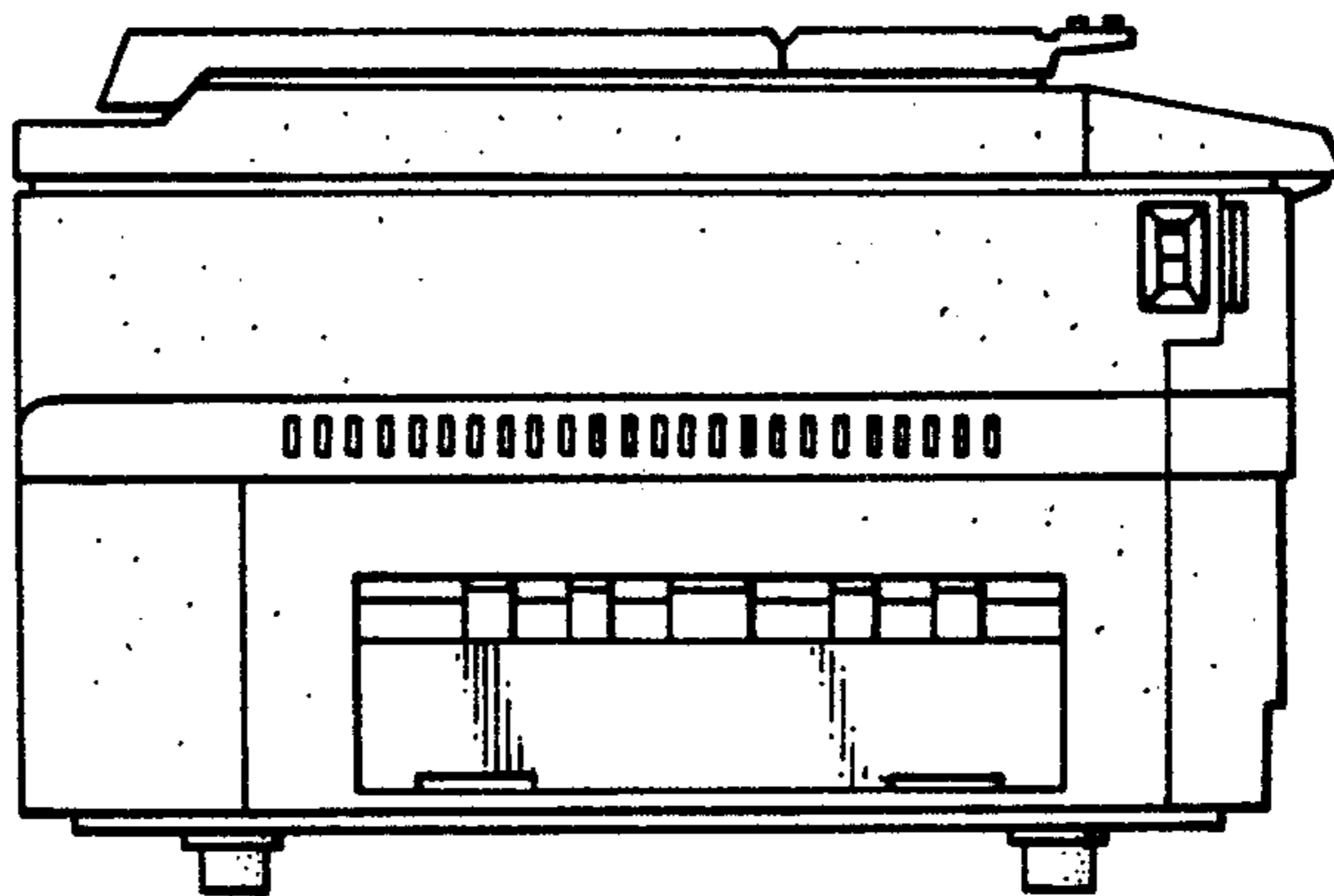


FIG. 13

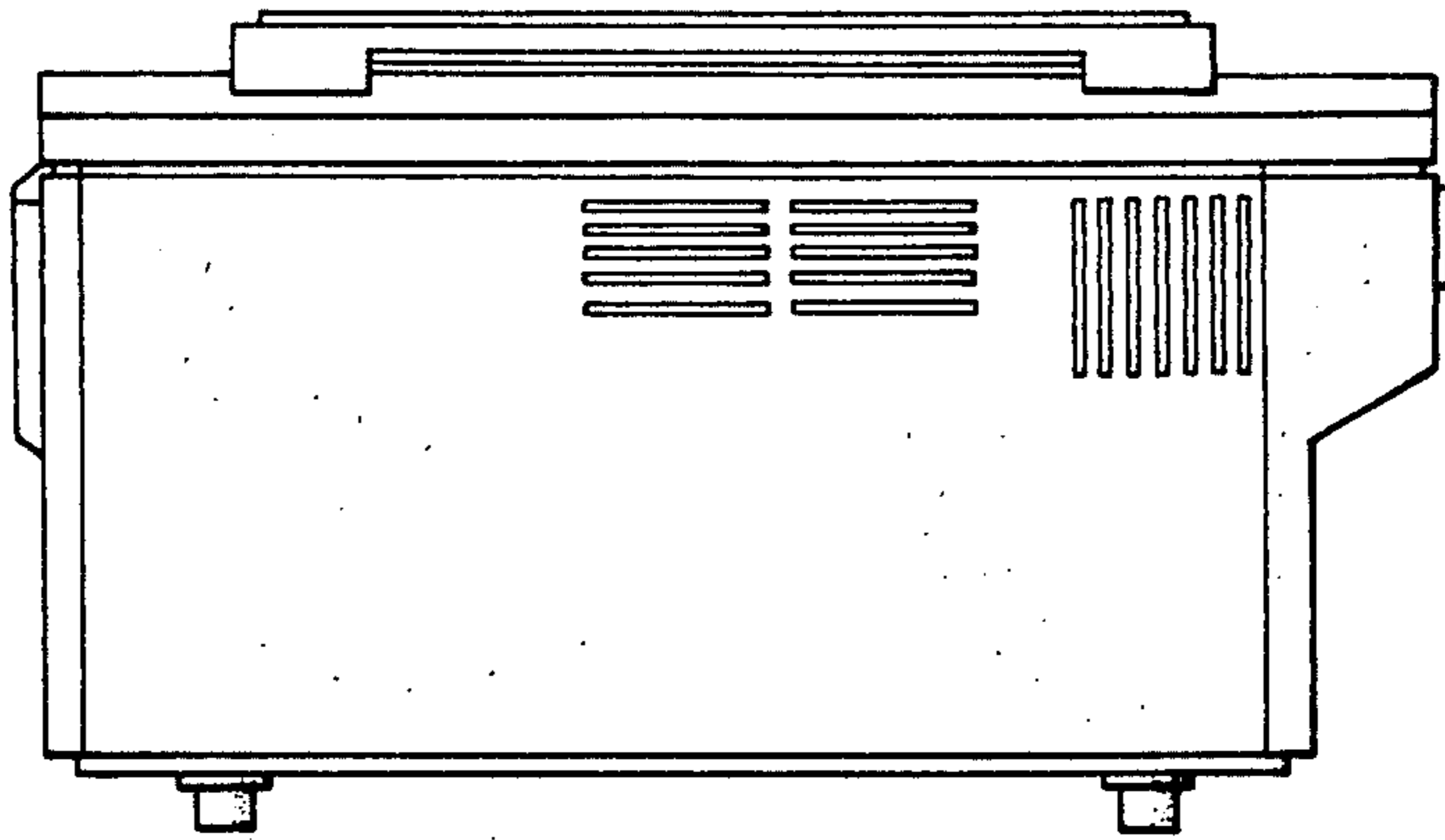


FIG. 14

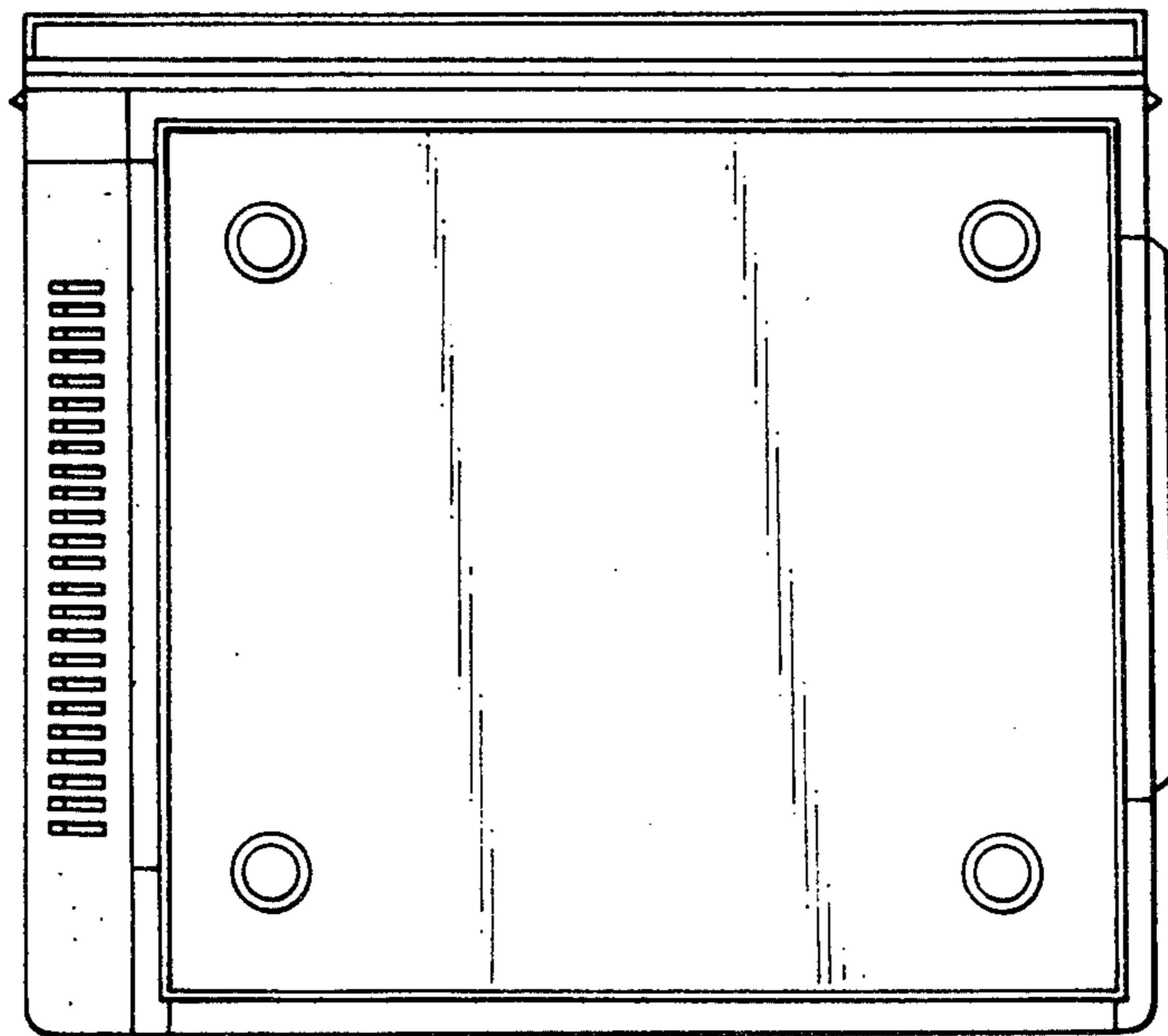


FIG. 15

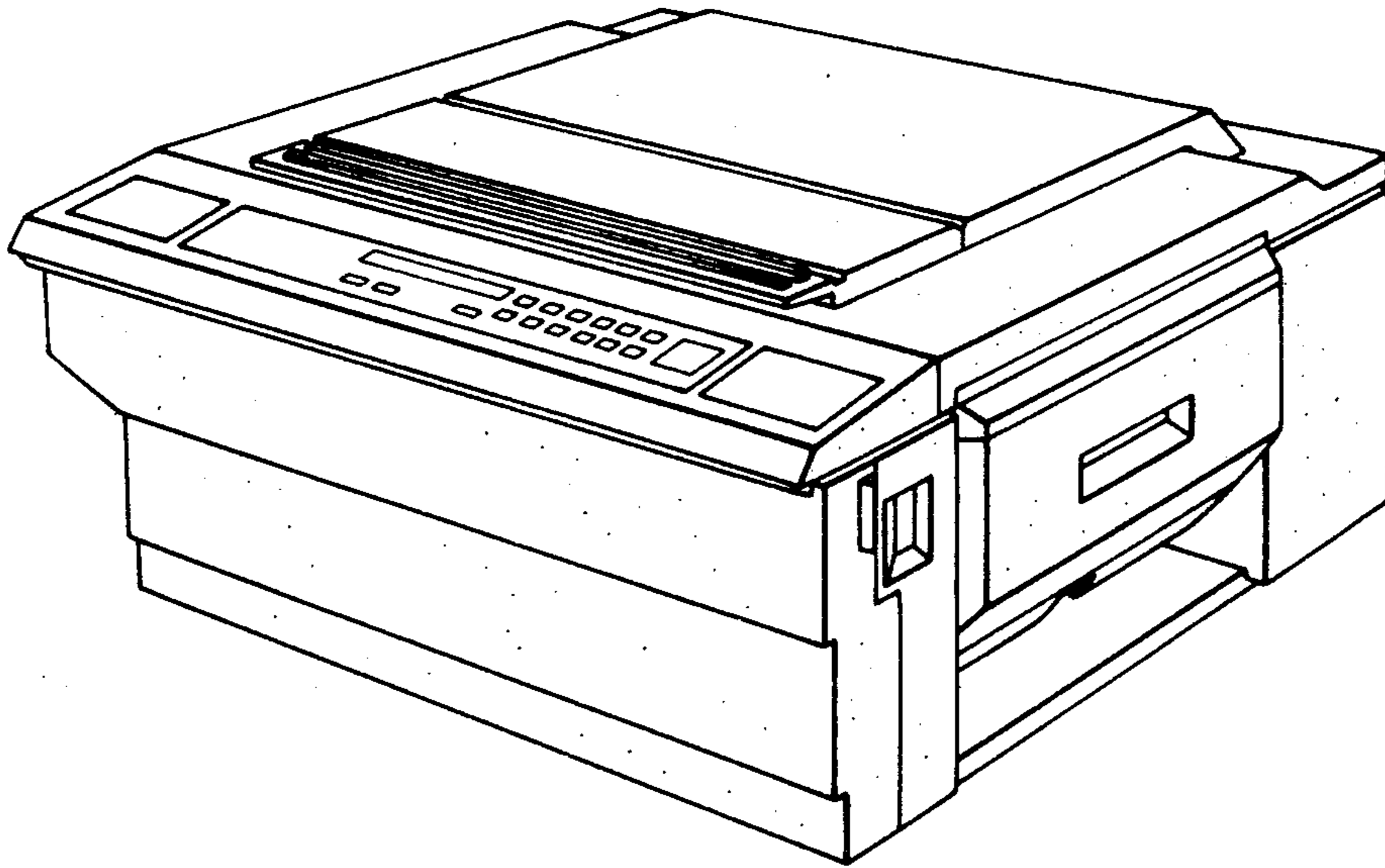


FIG. 16

