

[54] GROUND PUMP

[76] Inventor: Clifford H. Stuart, P.O. Box 65, Canal Point, Fla. 33438

[**] Term: 14 Years

[21] Appl. No.: 573,309

[22] Filed: Jan. 23, 1984

[52] U.S. Cl. D15/7

[58] Field of Search D15/7, 9, 14; 417/234

[56] References Cited

U.S. PATENT DOCUMENTS

D. 229,717	12/1973	Mixon	D15/7
2,798,435	7/1957	Armstrong	417/234
3,958,895	5/1976	Brisson	417/234
4,070,135	1/1978	Eller	417/234

OTHER PUBLICATIONS

Schoner Wohnen, Jun. 1981, p. 211, 4 Models of Lawn Mowers.

Primary Examiner—Wallace R. Burke
Assistant Examiner—Brian N. Vinson
Attorney, Agent, or Firm—Malin, Haley & McHale

[57] CLAIM

The ornamental design for a ground pump, as shown and described.

DESCRIPTION

FIG. 1 is a top plan view of a ground pump showing my new design;
FIG. 2 is a right side elevational view thereof;
FIG. 3 is a bottom plan view thereof;
FIG. 4 is a left side elevational view thereof;
FIG. 5 is a rear elevational view thereof; and
FIG. 6 is a front elevational view thereof.

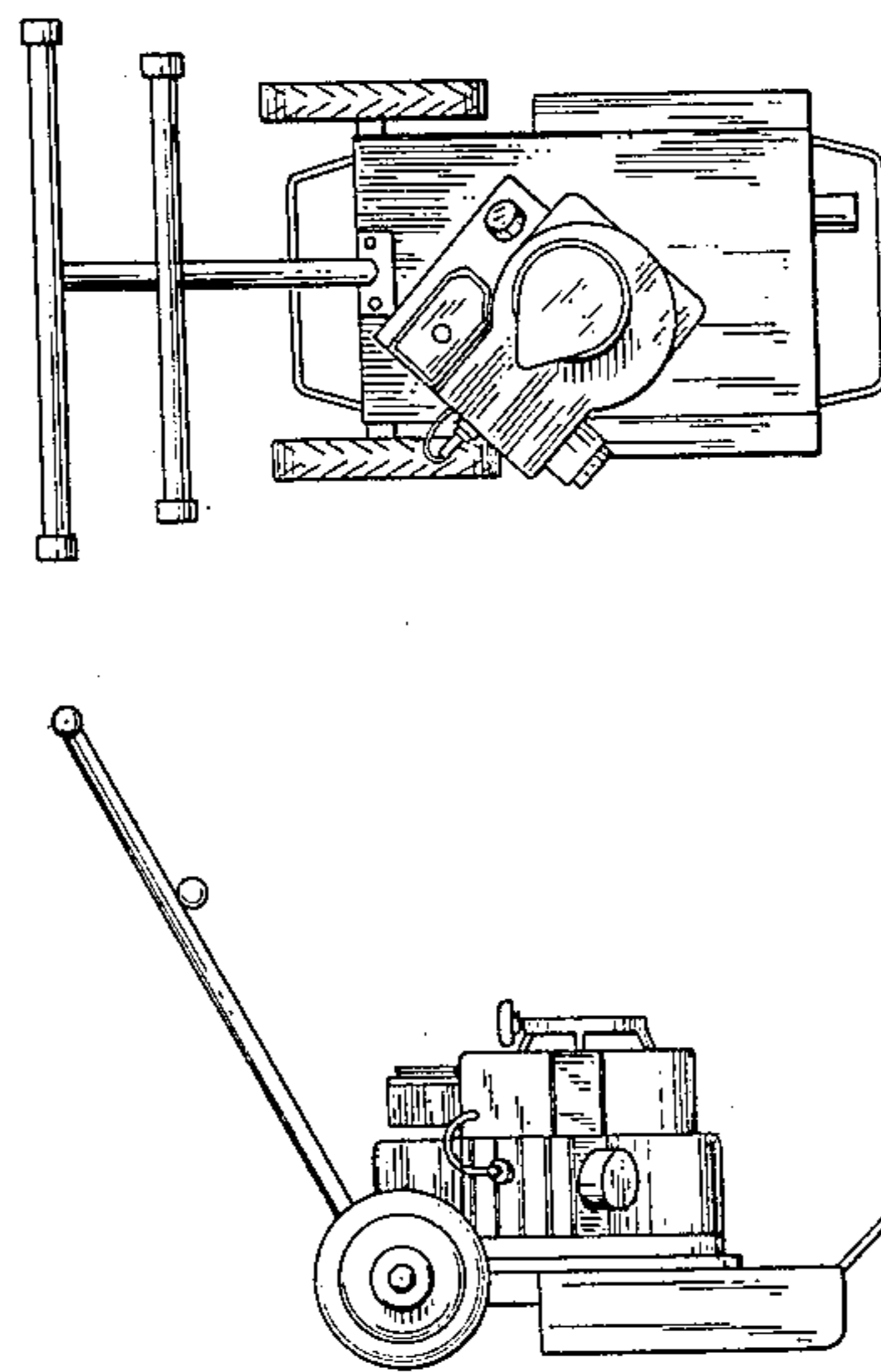


Fig. 1.

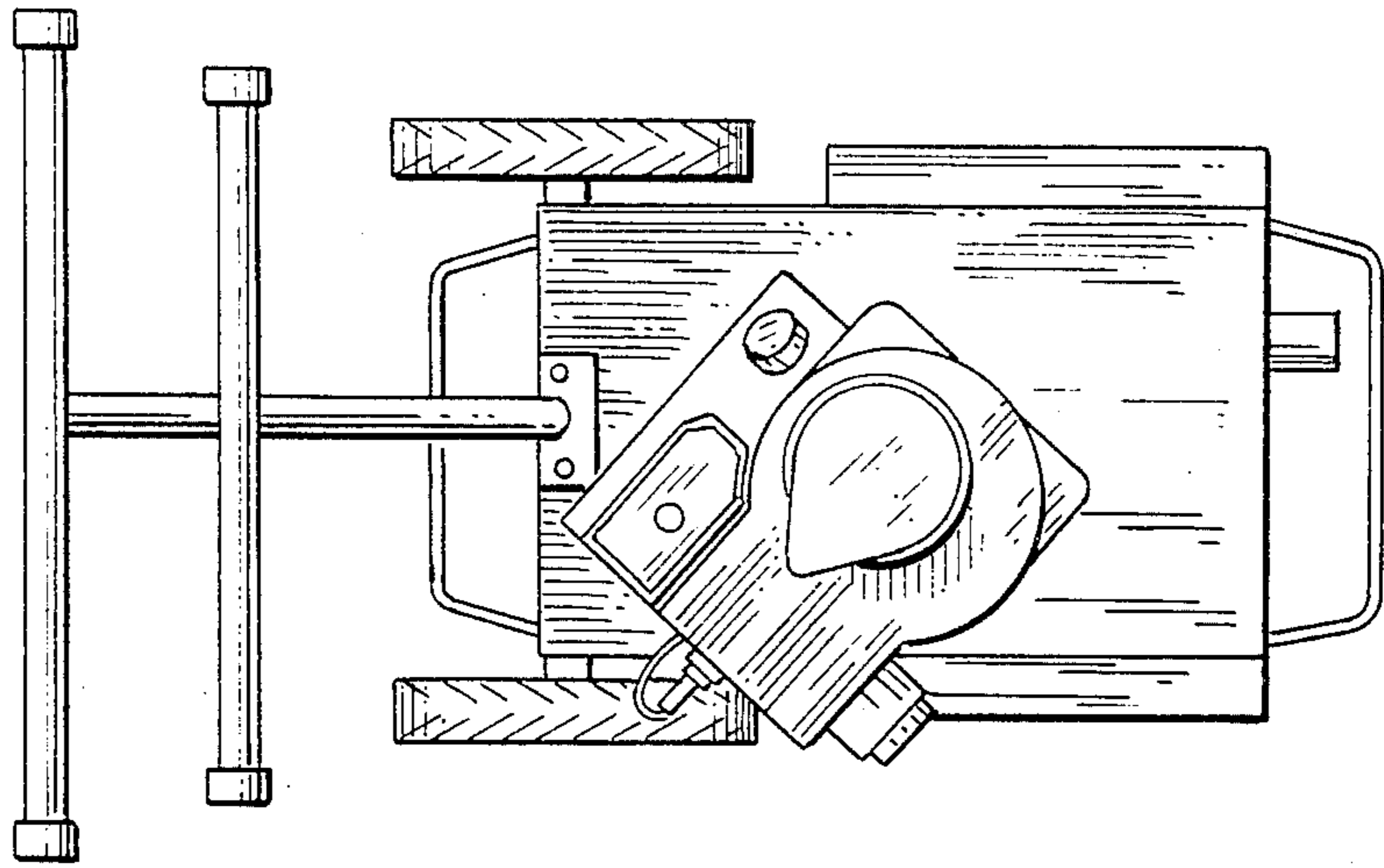


Fig. 2.

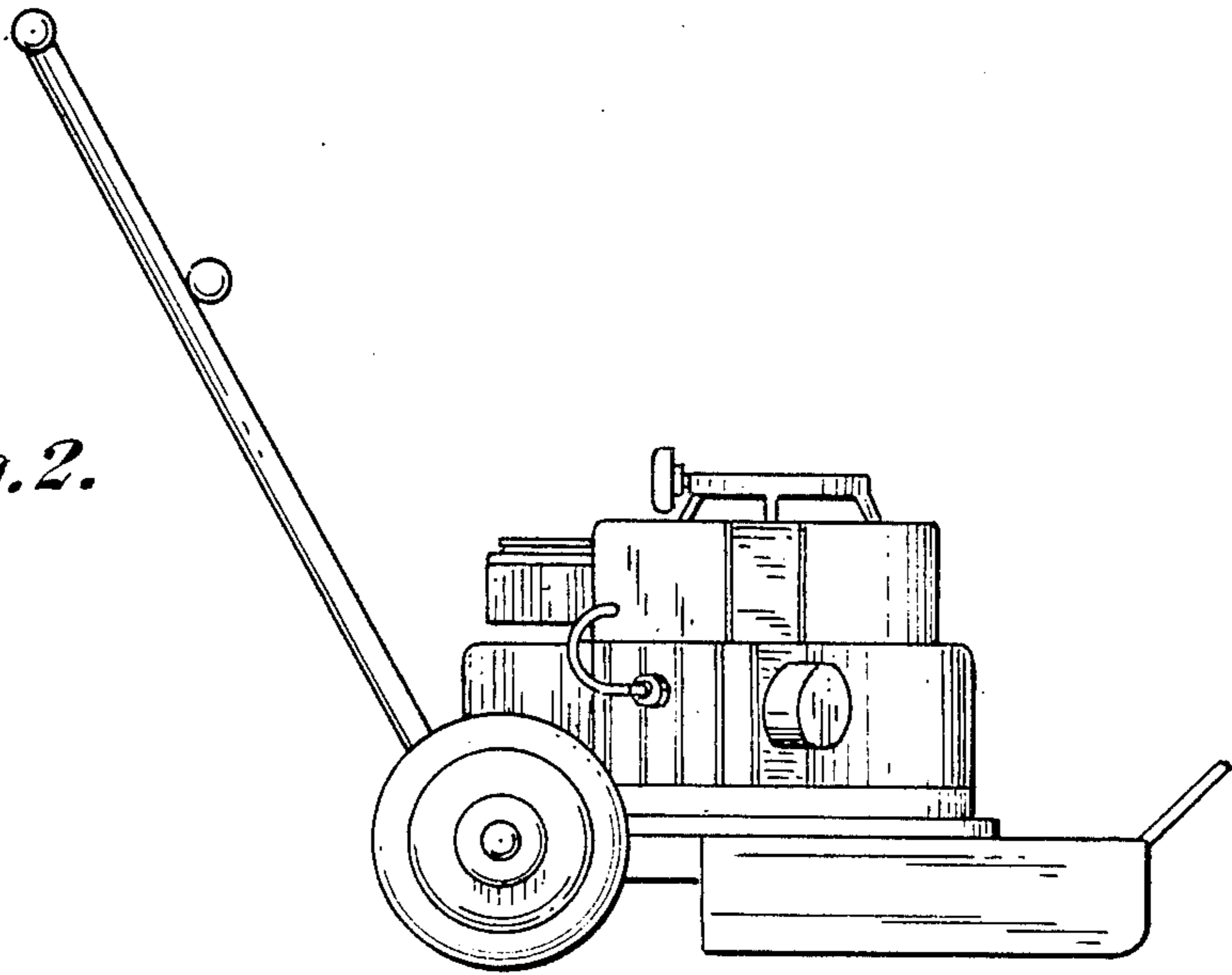


Fig. 3.

