

[54] PUMP

[75] Inventors: Kurt Berg, Vallingby; Boris Fredriksson, Huddinge; Bengt Ramstrom, Kungsangen; Bengt Sodergard, Upplands Vasby, all of Sweden

[73] Assignee: ITT Industries, Inc., New York, N.Y.

[**] Term: 14 Years

[21] Appl. No.: 497,542

[22] Filed: May 24, 1983

[52] U.S. Cl. D15/7

[58] Field of Search D15/7, 9, 1; D13/1; 417/424, 60, 91, 92, 403, 489, 900

[56] References Cited

U.S. PATENT DOCUMENTS

- D. 152,706 2/1949 Leja D15/1
- D. 206,502 12/1966 Wells D15/7
- D. 245,499 8/1977 Andreas D13/1

Primary Examiner—Wallace R. Burke
Assistant Examiner—Lynn Wilder
Attorney, Agent, or Firm—John T. O'Halloran; Mary C. Werner

[57] CLAIM

The ornamental design for a pump, as shown.

DESCRIPTION

FIG. 1 is a front perspective view of the pump showing our new design;
FIG. 2 is a top plan view thereof;
FIG. 3 is a bottom plan view thereof;
FIG. 4 is a rear elevational view thereof;
FIG. 5 is a front elevational view thereof; and
FIG. 6 is a side elevational view thereof, the opposite side being a substantial mirror image.

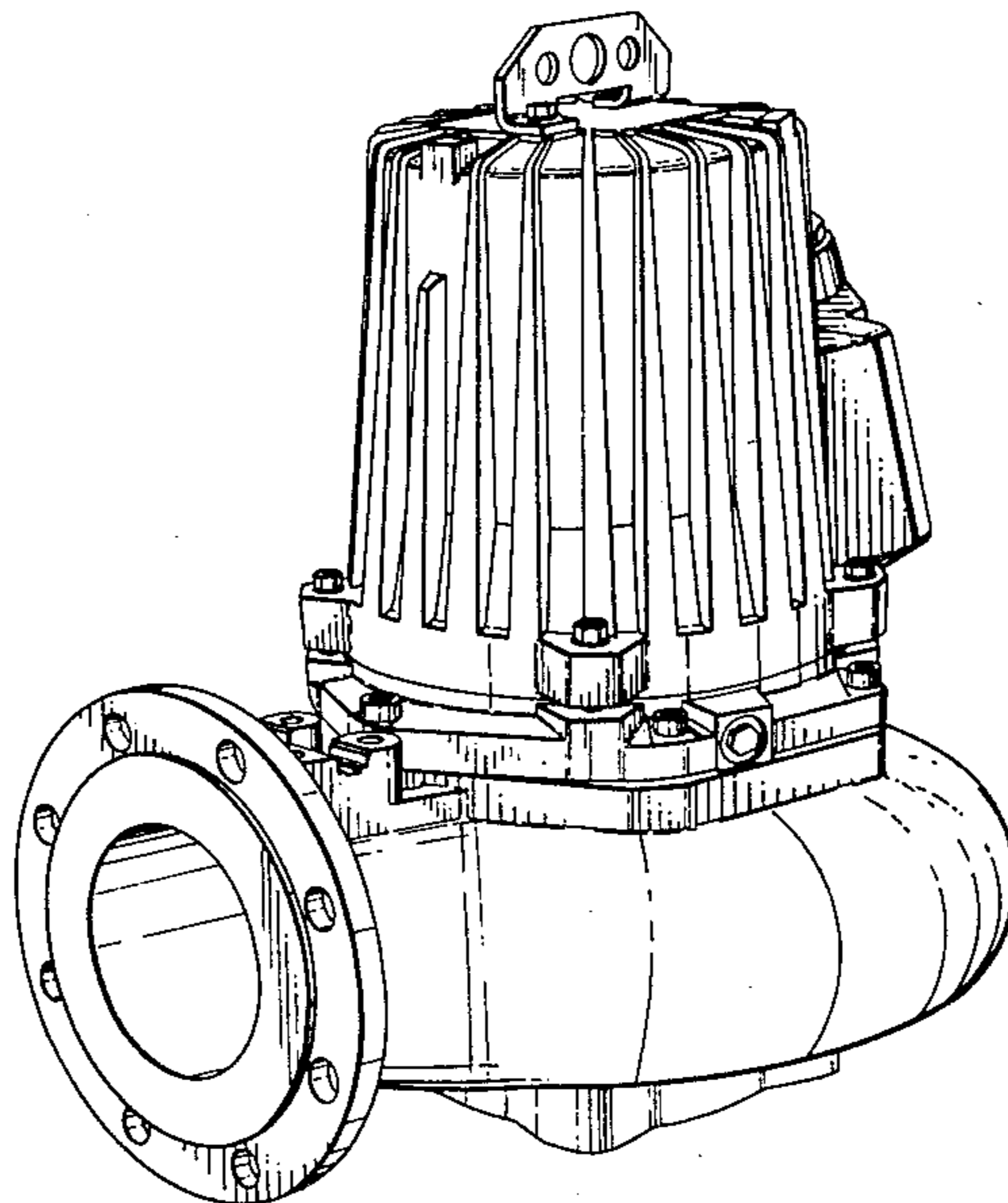


Fig. 1.

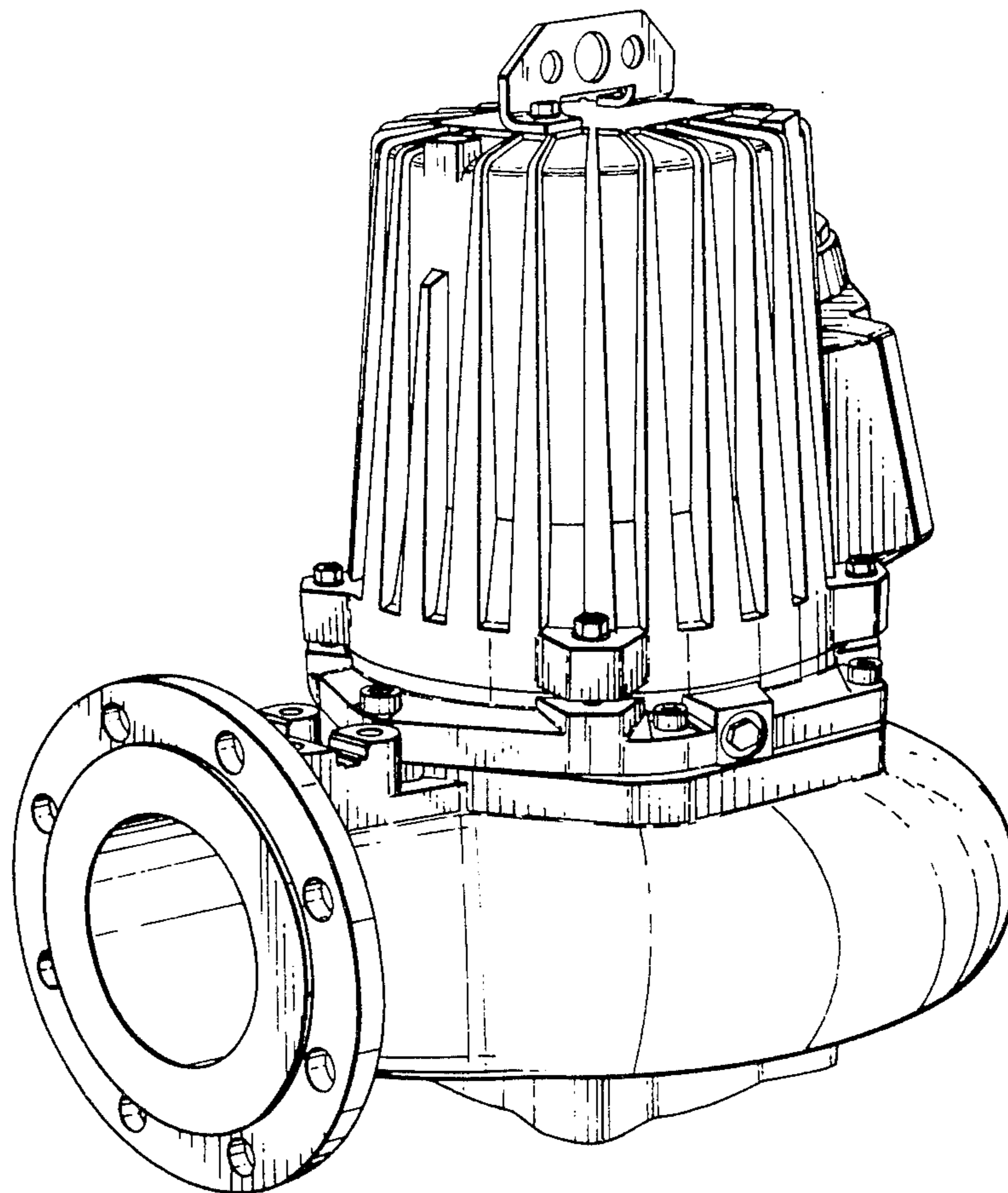


Fig. 2.

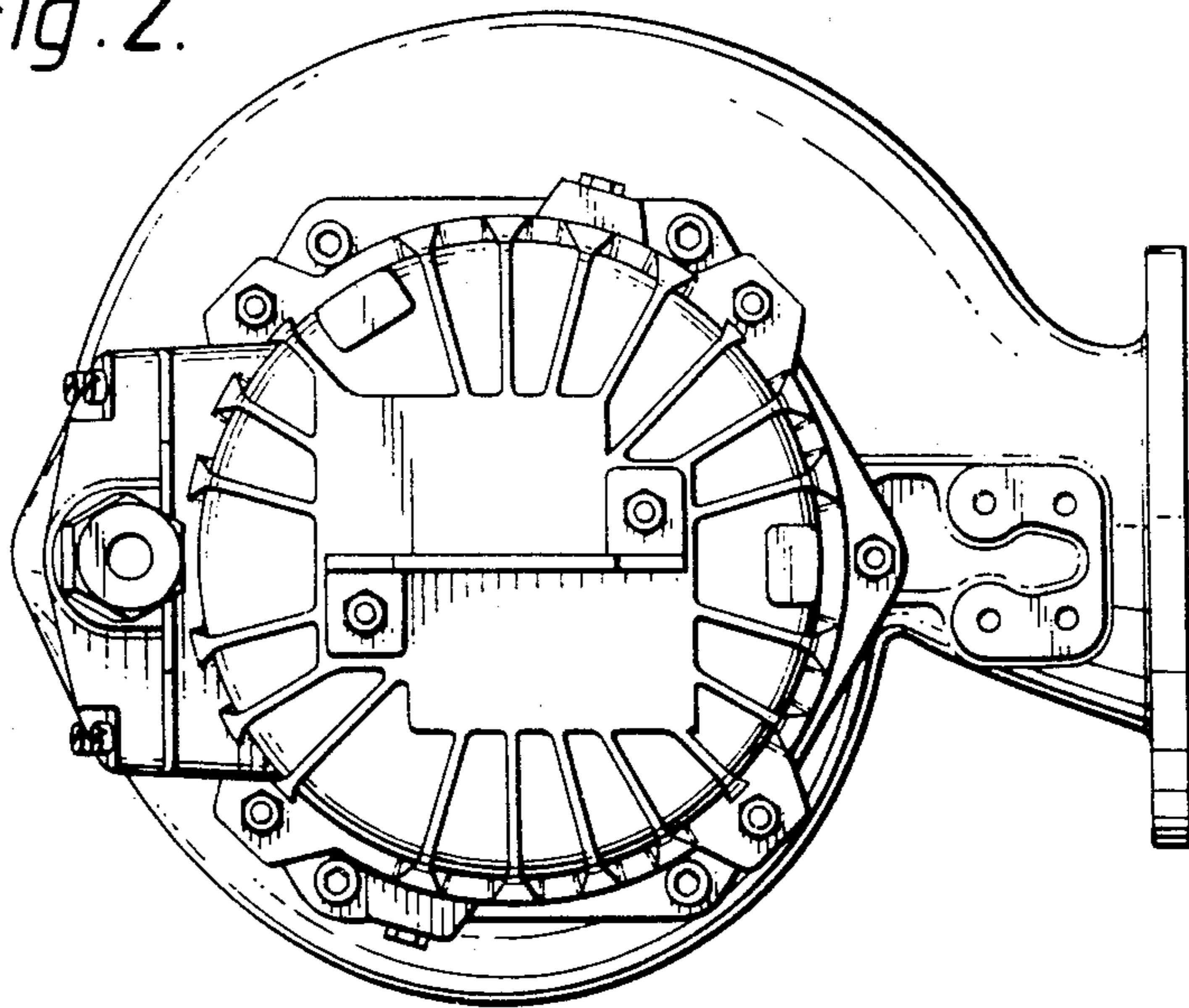


Fig. 3.

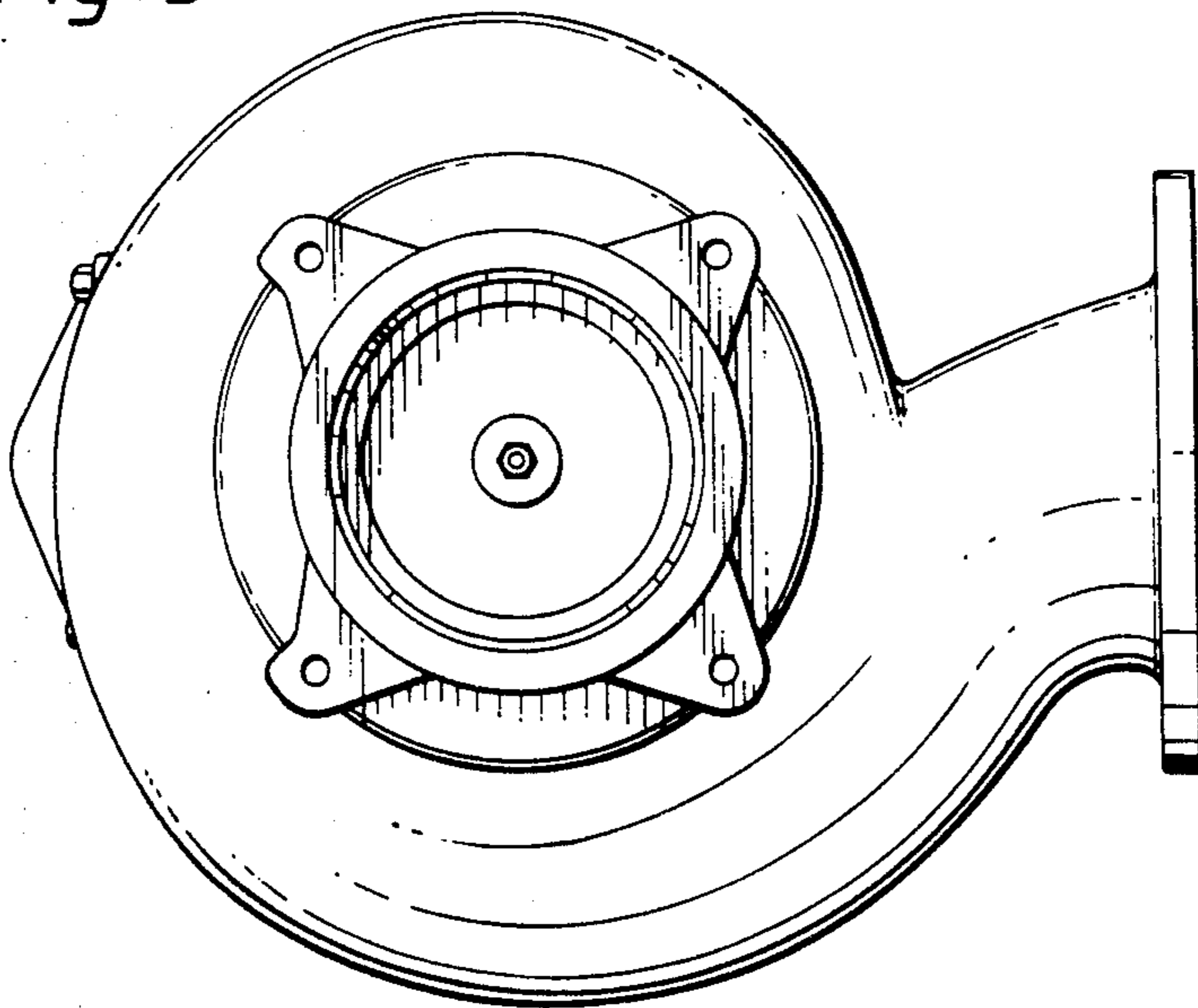


Fig. 4.

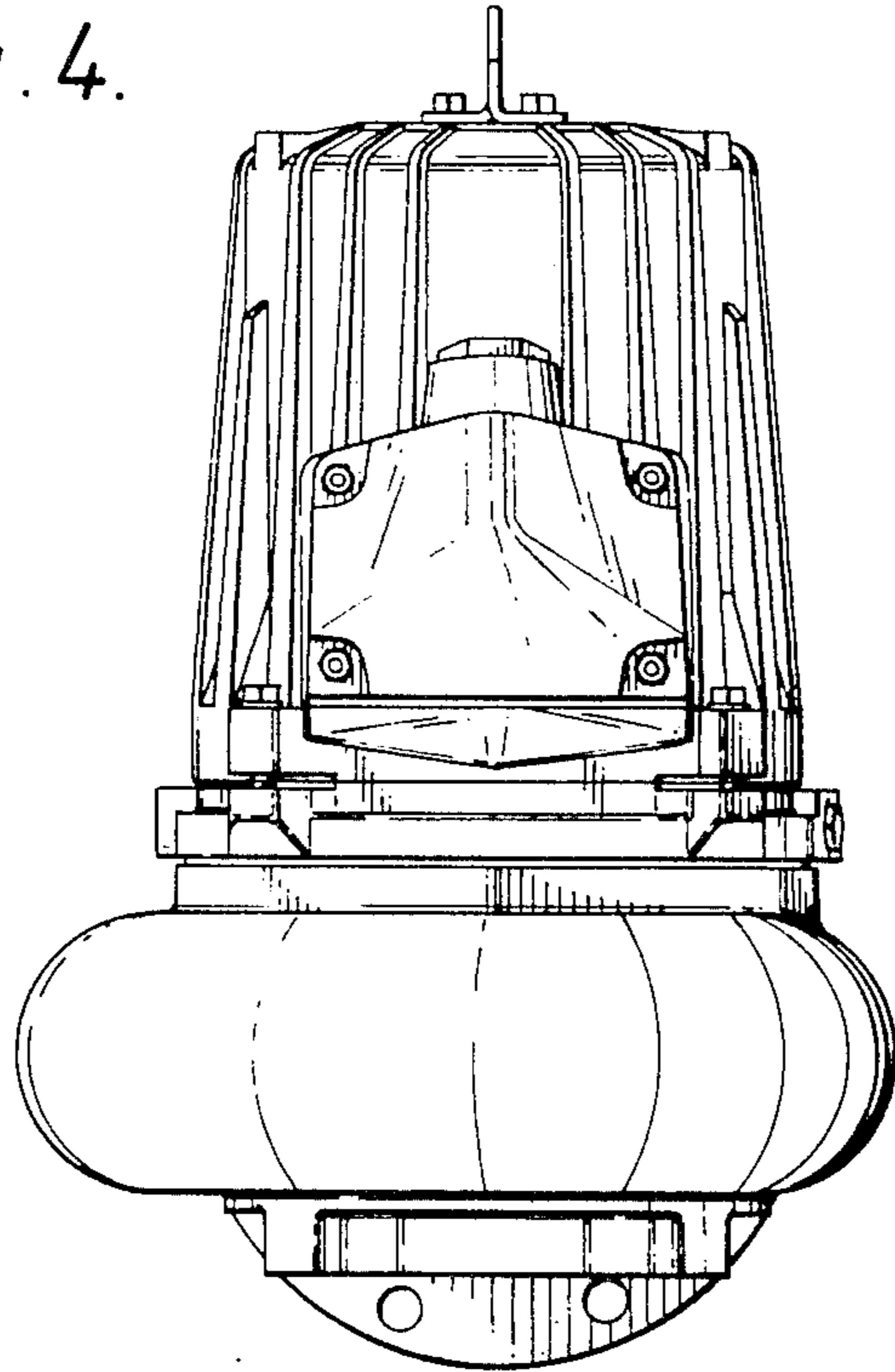


Fig. 5.

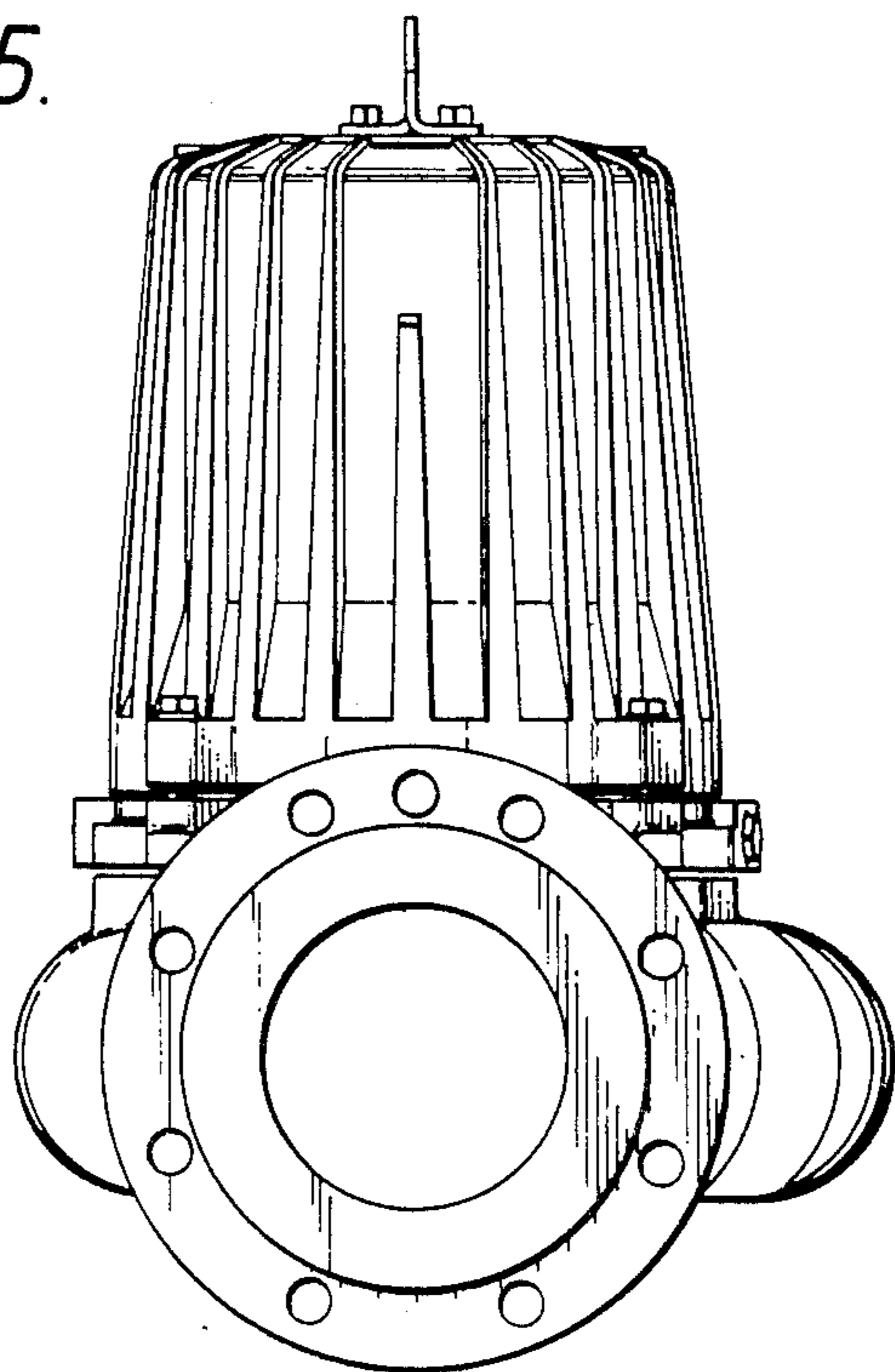


Fig. 6.

