

[54] VIDEO TERMINAL, OR SIMILAR ARTICLE

[75] Inventor: Roy K. Fischer, Paradise Valley, Ariz.

[73] Assignee: International Telephone & Telegraph Corp., New York, N.Y.

[**] Term: 14 Years

[21] Appl. No.: 556,489

[22] Filed: Nov. 30, 1983

[52] U.S. Cl. D14/113

[58] Field of Search D14/70, 80, 81, 82; 358/254, 249, 903; 340/700

[56] References Cited

U.S. PATENT DOCUMENTS

D. 274,726 7/1984 Caven D14/113

OTHER PUBLICATIONS

Computer Design, 11-1980, p. 101, Hazeltine Executive 80, Display Terminal.

Computer Design, 3-1981, p.9, Zentec Series 8000 Intelligent Terminal.

Royal Business Machines Omniwriter Brochure, ©1981, p. 5, Display Terminal.

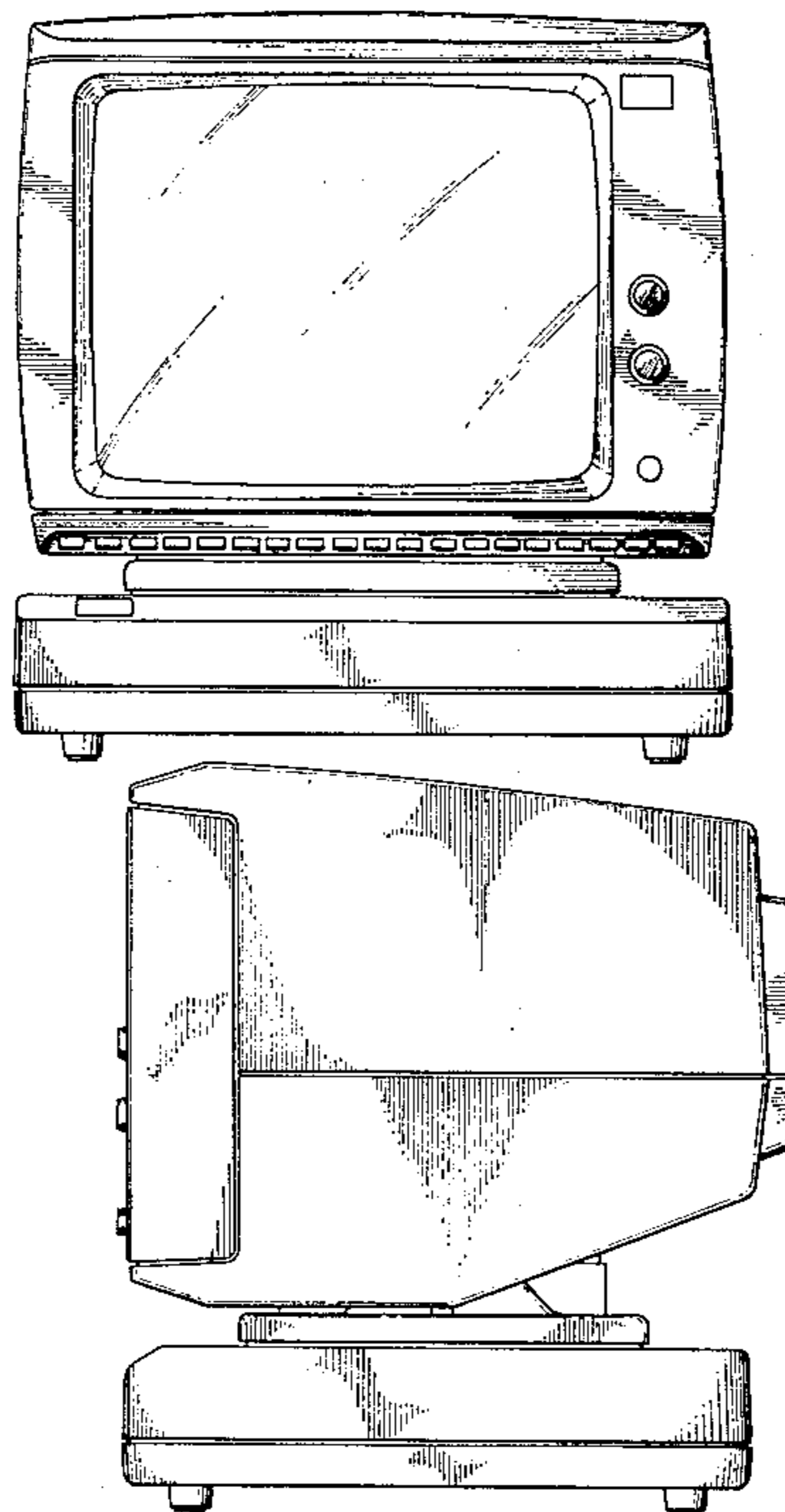
Primary Examiner—Susan J. Lucas
Attorney, Agent, or Firm—T. L. Peterson; J. M. May

[57] CLAIM

The ornamental design for a video terminal, or similar article, substantially as shown and described.

DESCRIPTION

FIG. 1 is a front elevational view of a video terminal or similar article showing my new design;
FIG. 2 is a right side elevational view thereof, the left side being a mirror image of the right side;
FIG. 3 is a rear elevational view thereof;
FIG. 4 is a top plan view thereof;
FIG. 5 is a bottom plan view thereof;
FIG. 6 is a right side elevational view of the video terminal depicted in FIGS. 1-5, but with its screen tilted more rearwardly relative to its base;
FIG. 7 is a three-quarter isometric view of the video terminal depicted in FIGS. 1-5, showing its front, left and bottom surfaces; and
FIG. 8 is a three-quarter isometric view of the video terminal of FIGS. 1-5 showing its rear, right and top surfaces.



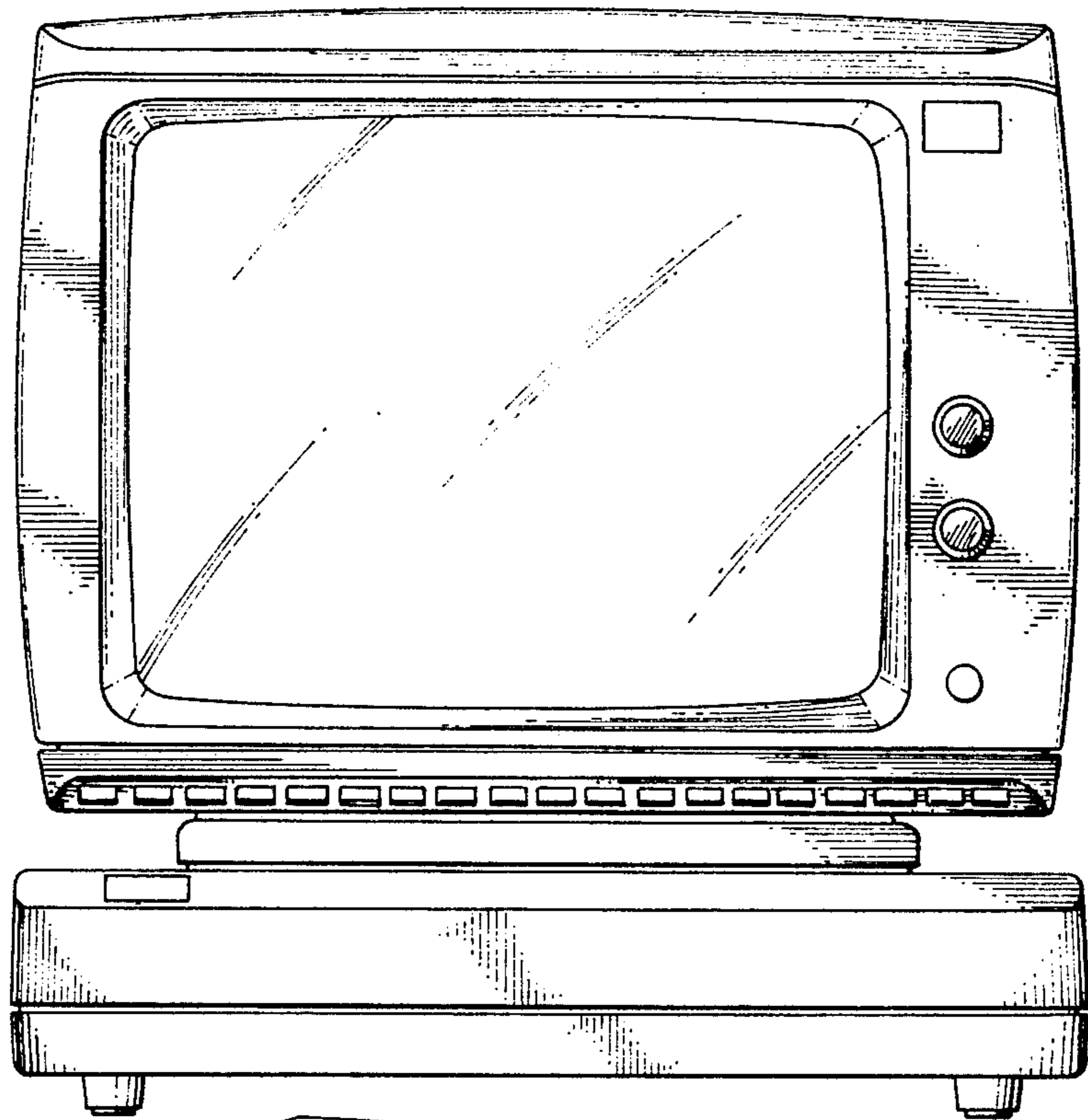


FIG. 1

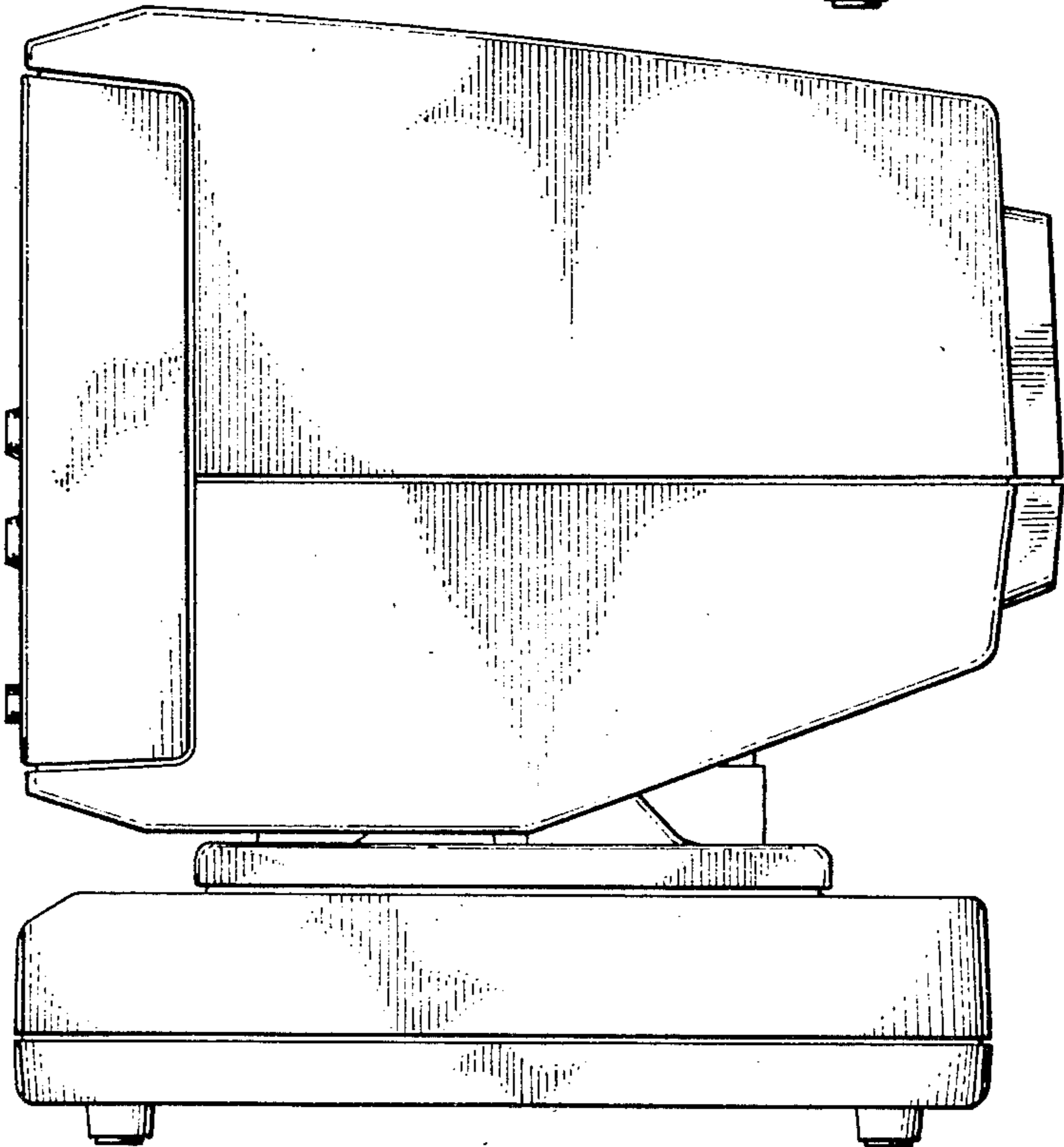


FIG. 2

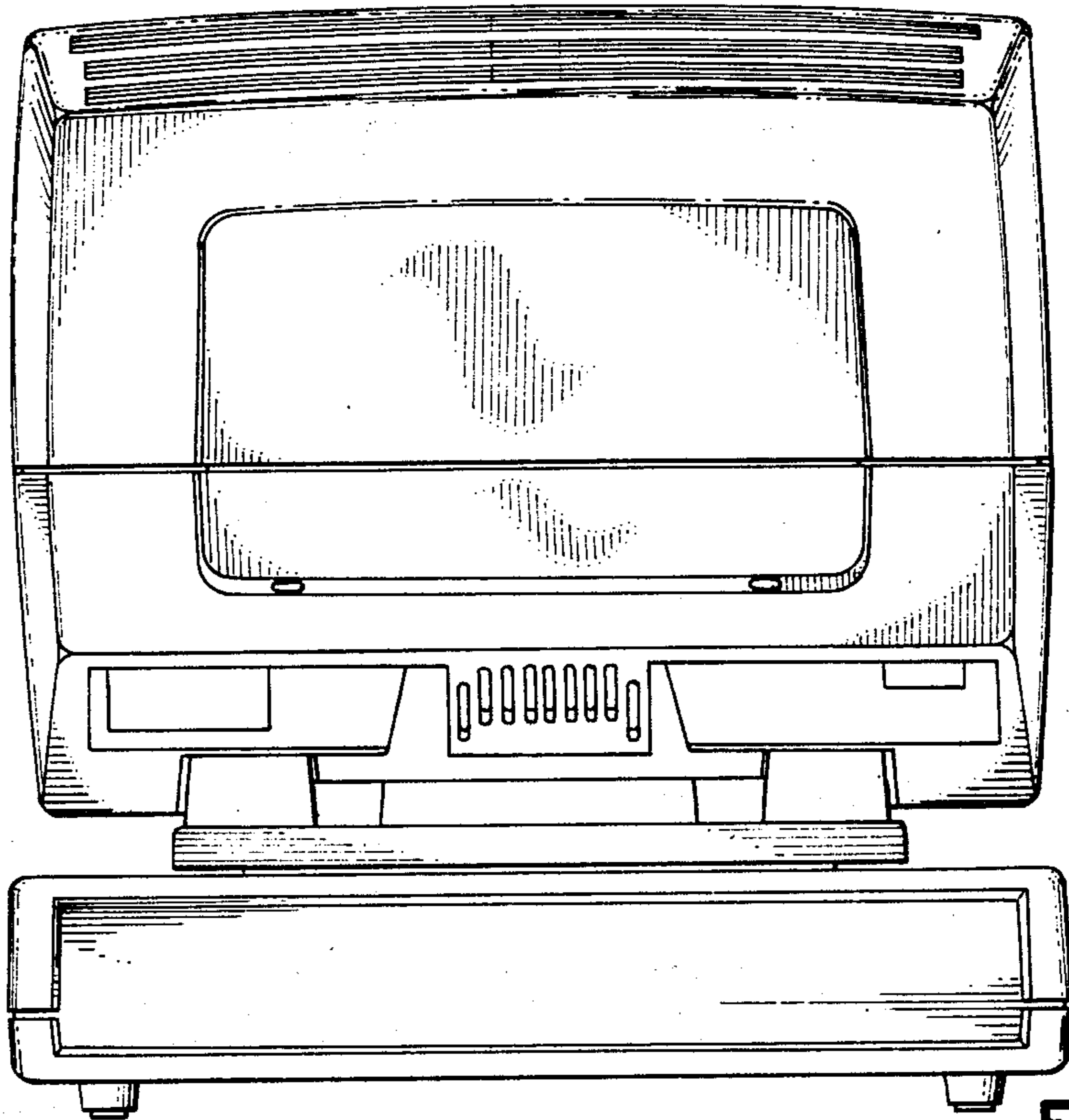


FIG. 3

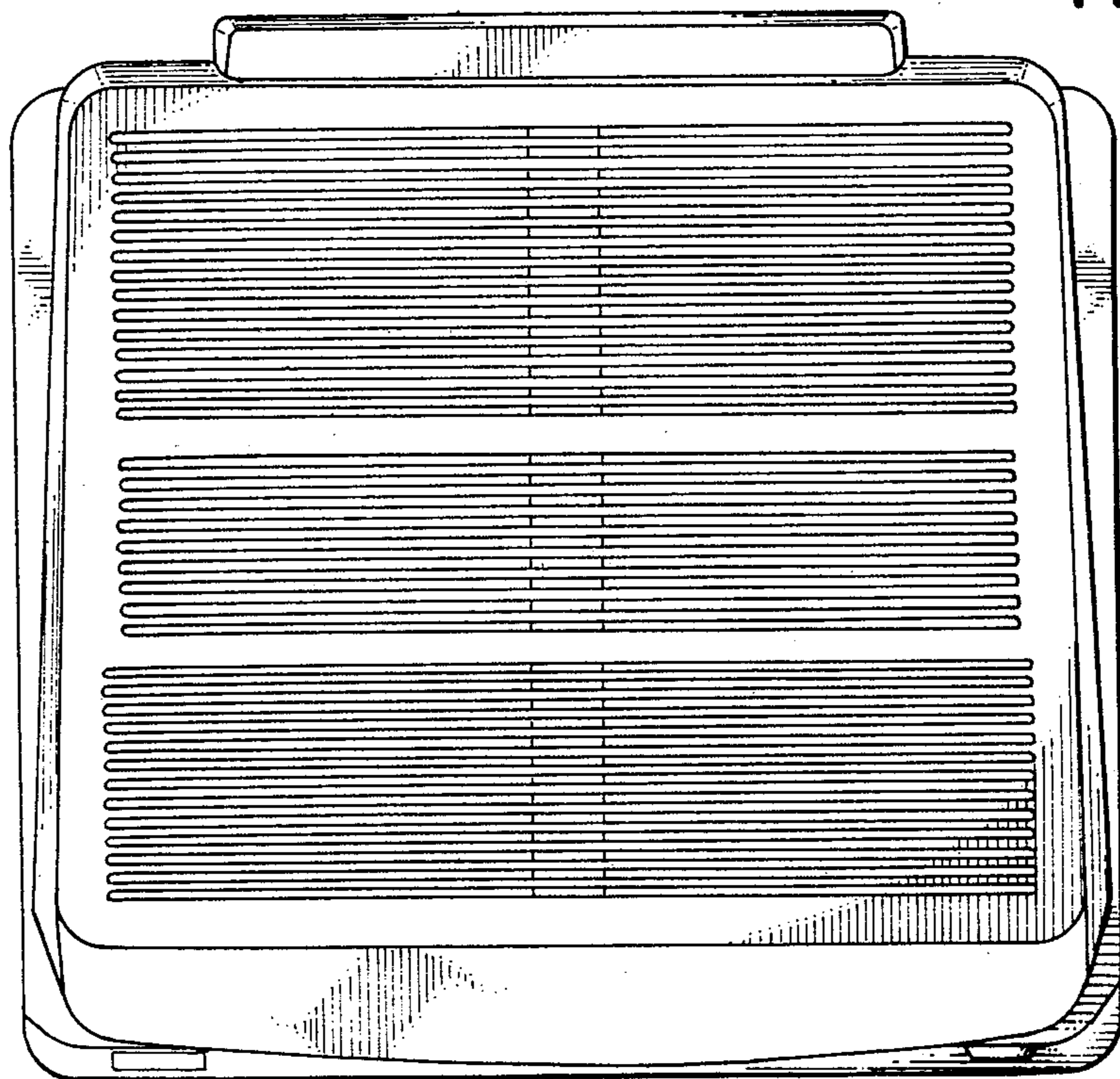


FIG. 4

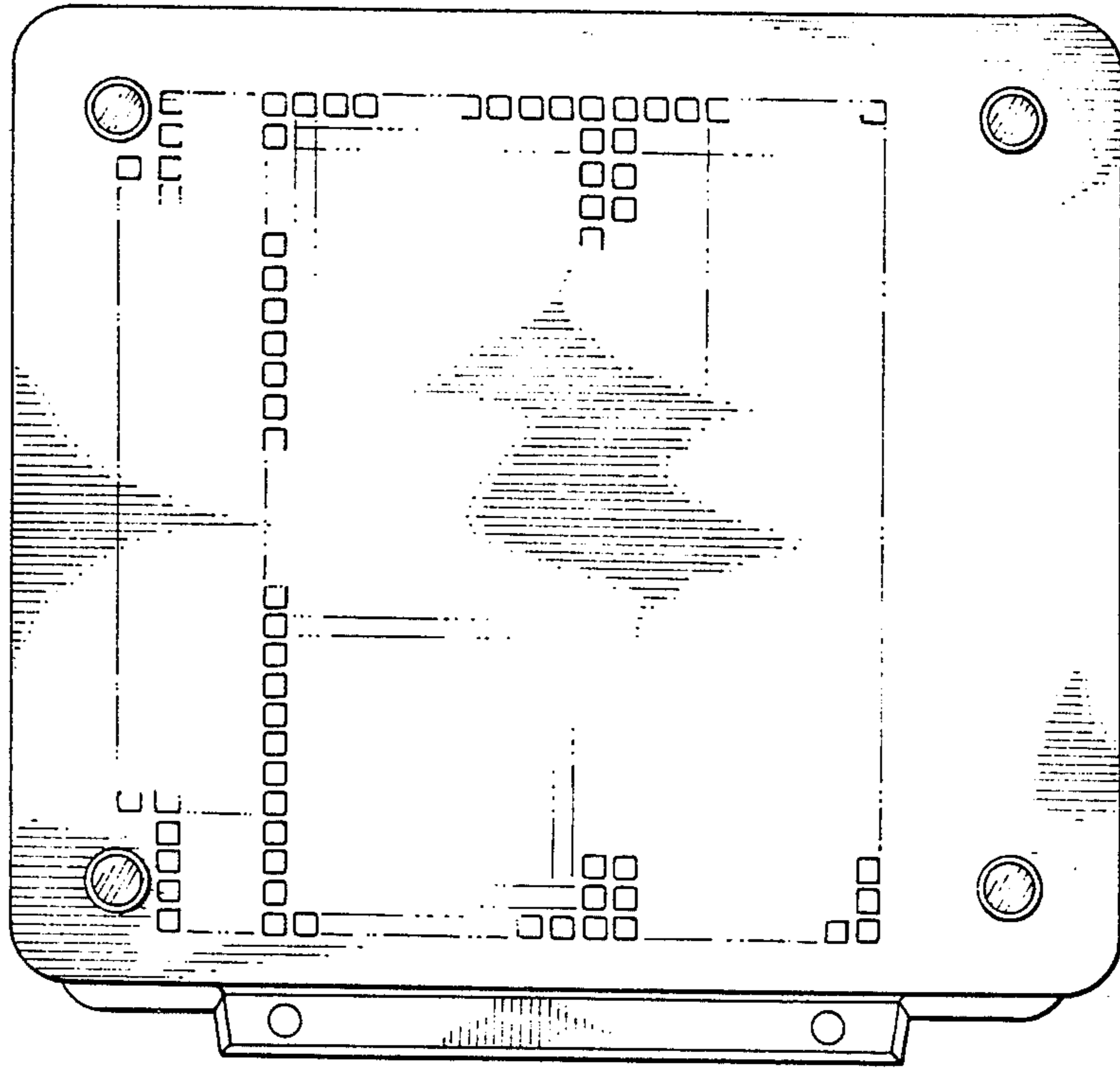


FIG. 5

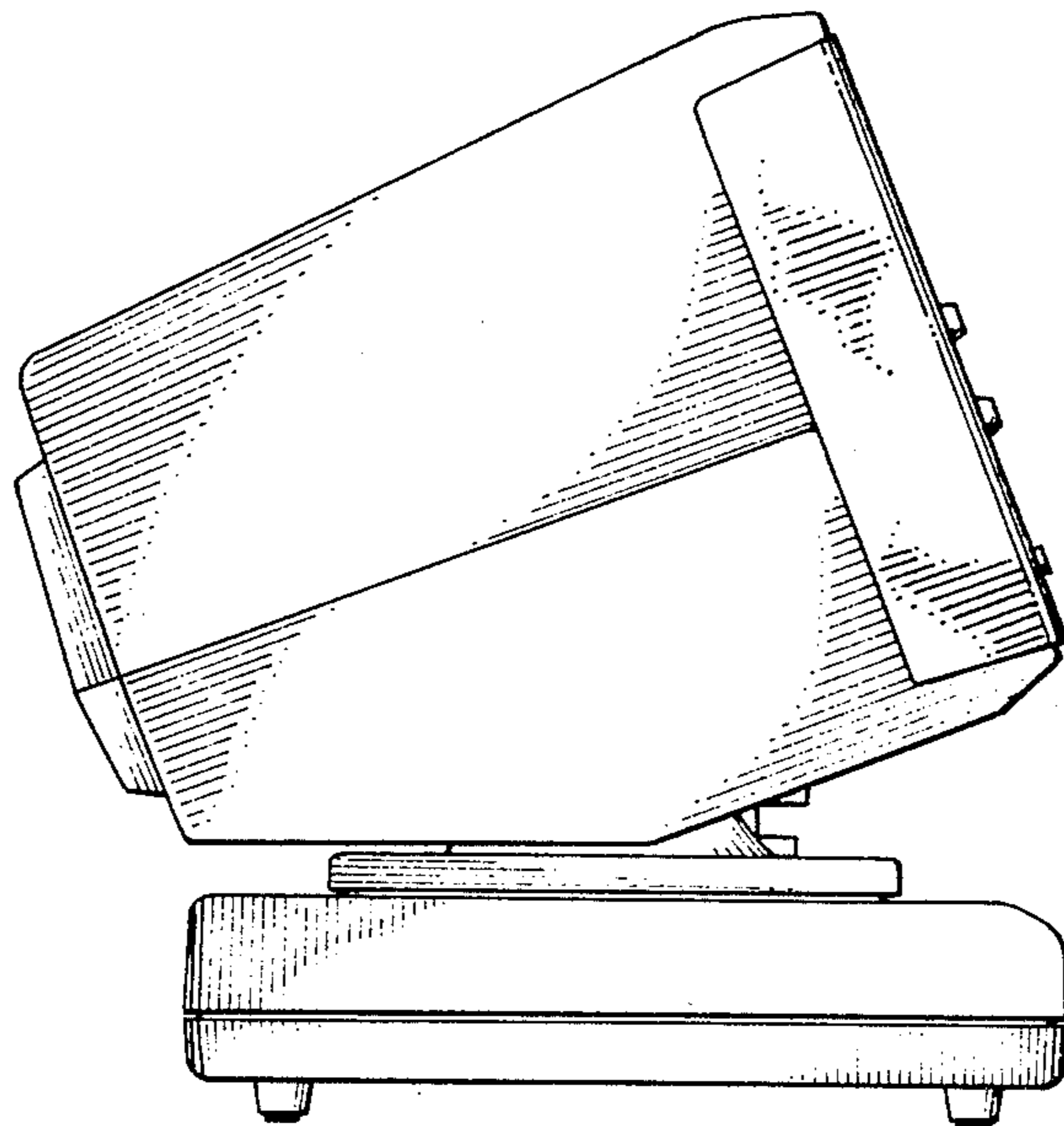


FIG. 6

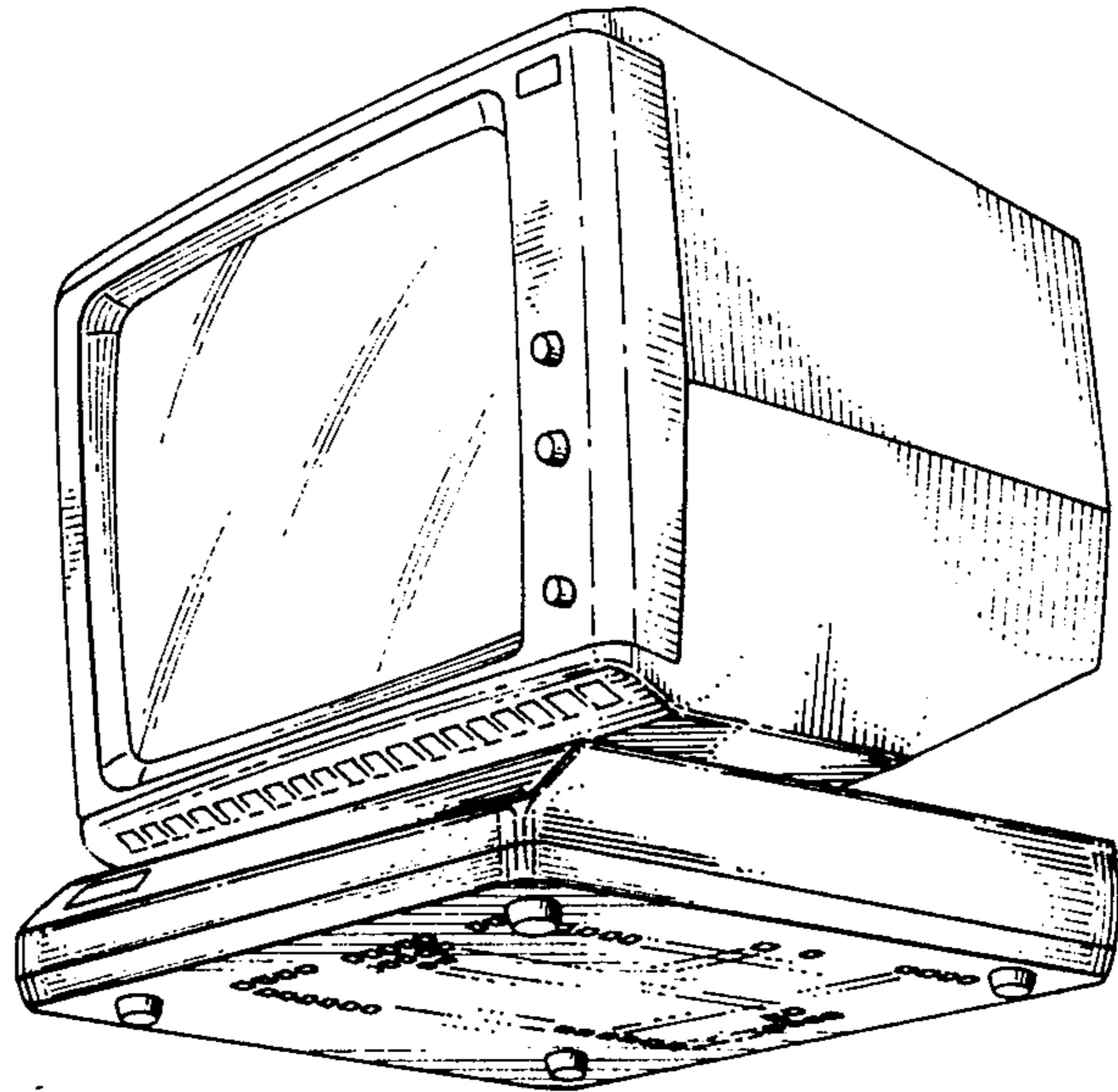


FIG. 7

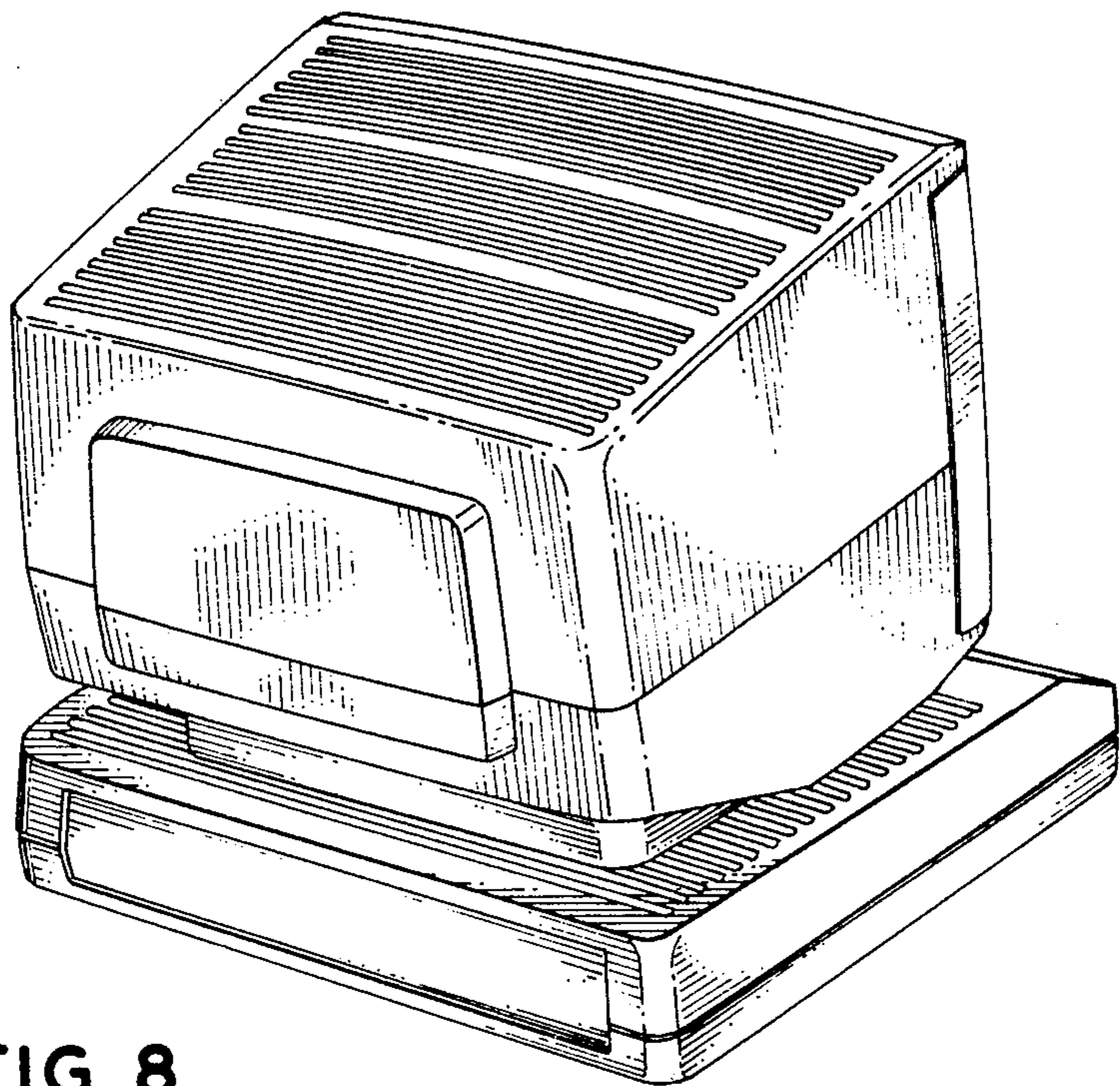


FIG. 8