

[54] **PRINTER FOR ELECTRONIC COMPUTER**

[75] Inventor: Kenichi Nakade, Yokohama, Japan

[73] Assignee: Ricoh Company, Ltd., Japan

[**] Term: 14 Years

[21] Appl. No.: 564,335

[22] Filed: Dec. 22, 1983

[30] **Foreign Application Priority Data**

Jun. 24, 1983 [JP] Japan 58-027344

[52] U.S. Cl. **D14/111**

[58] Field of Search D14/111; 400/691, 693;
D18/13, 23

[56] **References Cited**

U.S. PATENT DOCUMENTS

D. 264,083 4/1982 Grae D14/11
D. 272,154 1/1984 Saito D14/11

OTHER PUBLICATIONS

Computer Design, 10-1979, p. 4, Okidata Microline 80 Printer.

Computer Design, 2-1982, p. 93, Printek 900 Printer.

Primary Examiner—Susan J. Lucas

Attorney, Agent, or Firm—Guy W. Shoup

[57] **CLAIM**

The ornamental design for printer for electronic computer, as shown.

DESCRIPTION

FIG. 1 is a front elevational view of a printer for an electronic computer showing the new design; FIG. 2 is a top plan view thereof; FIG. 3 is a side elevational view thereof; FIG. 4 is the opposite side elevational view thereof; FIG. 5 is a rear elevational view thereof; FIG. 6 is a bottom plan view thereof; and FIG. 7 is a perspective view thereof.

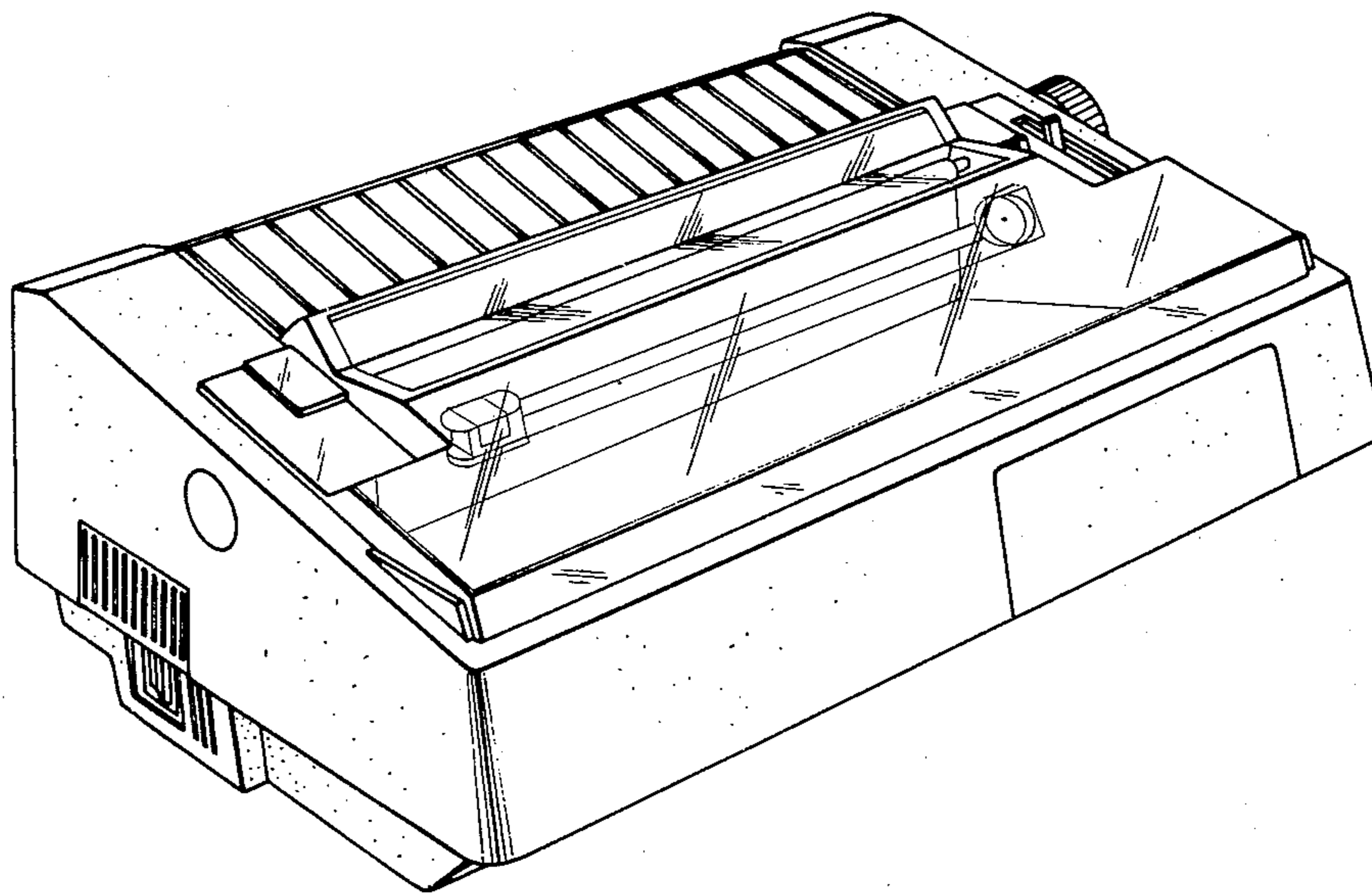


FIG. 1

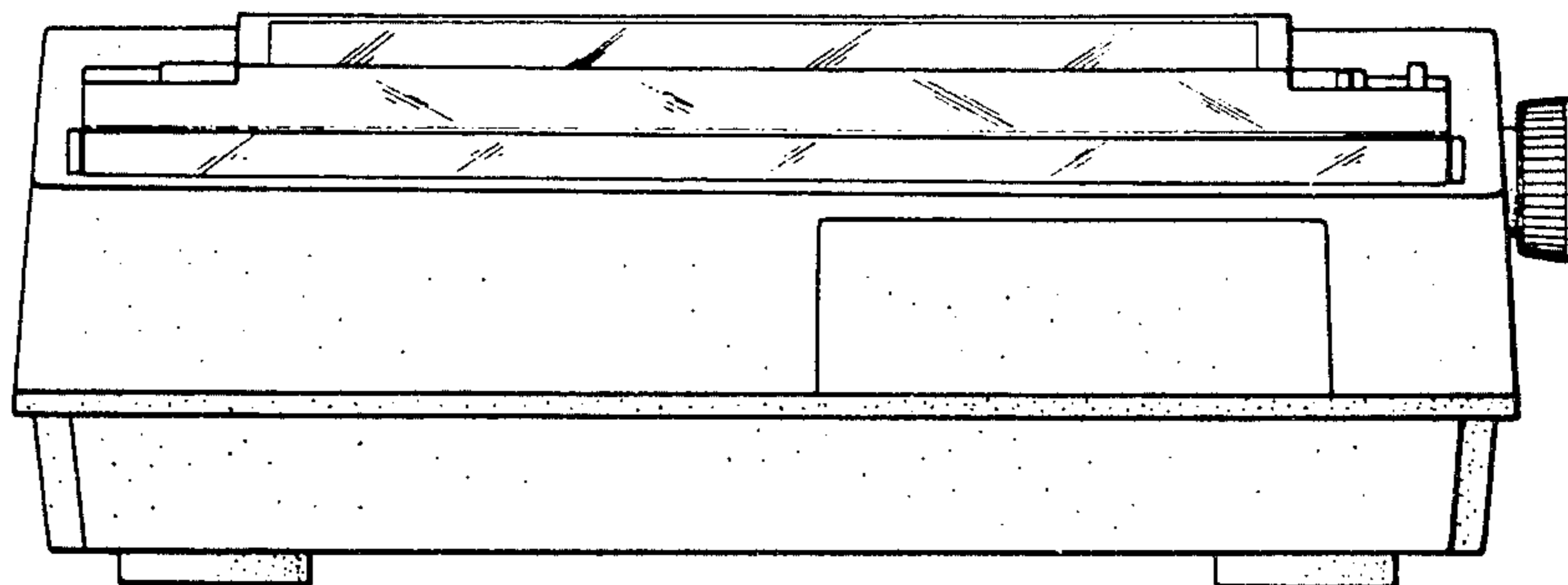


FIG. 2

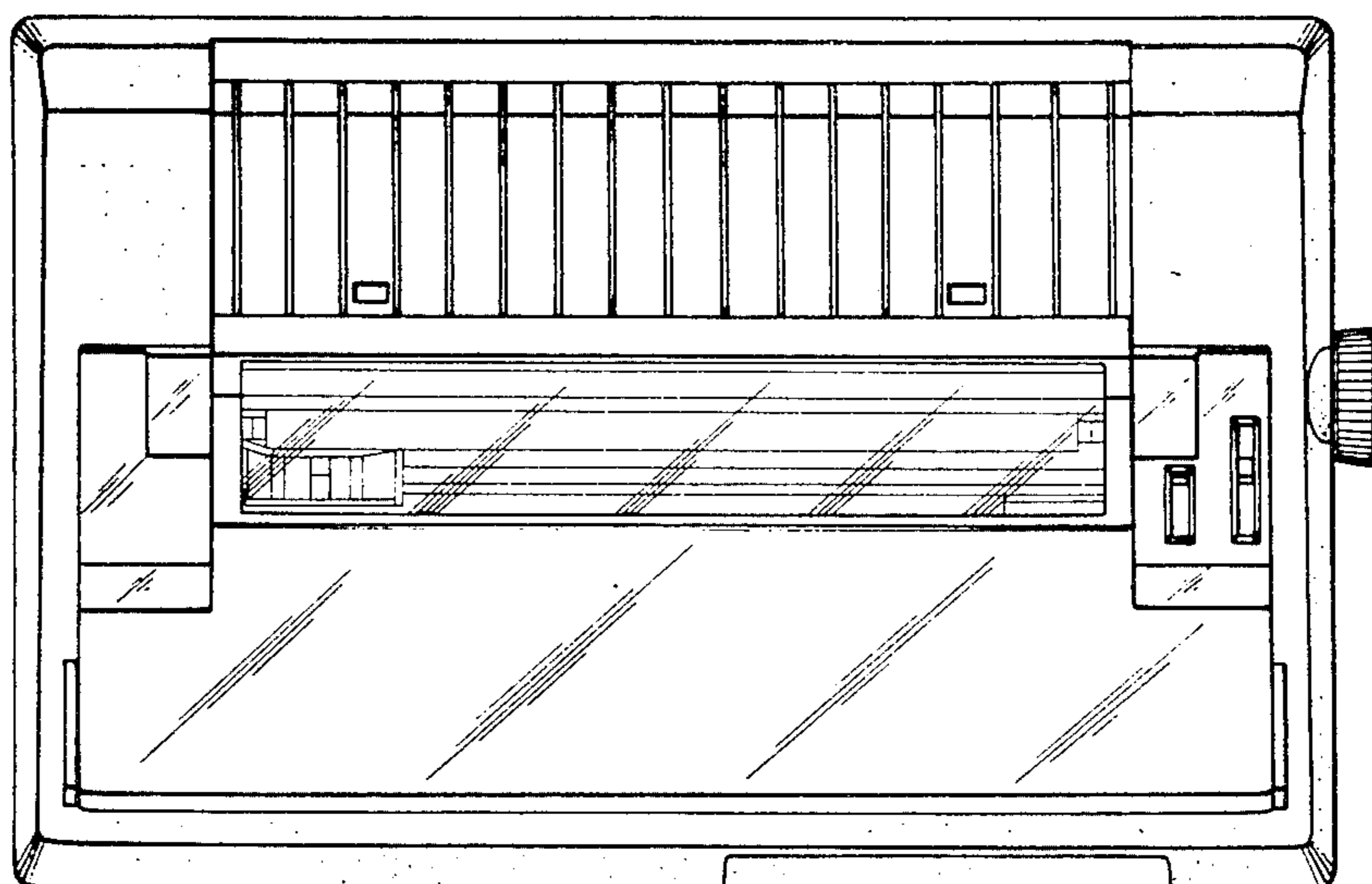


FIG. 3

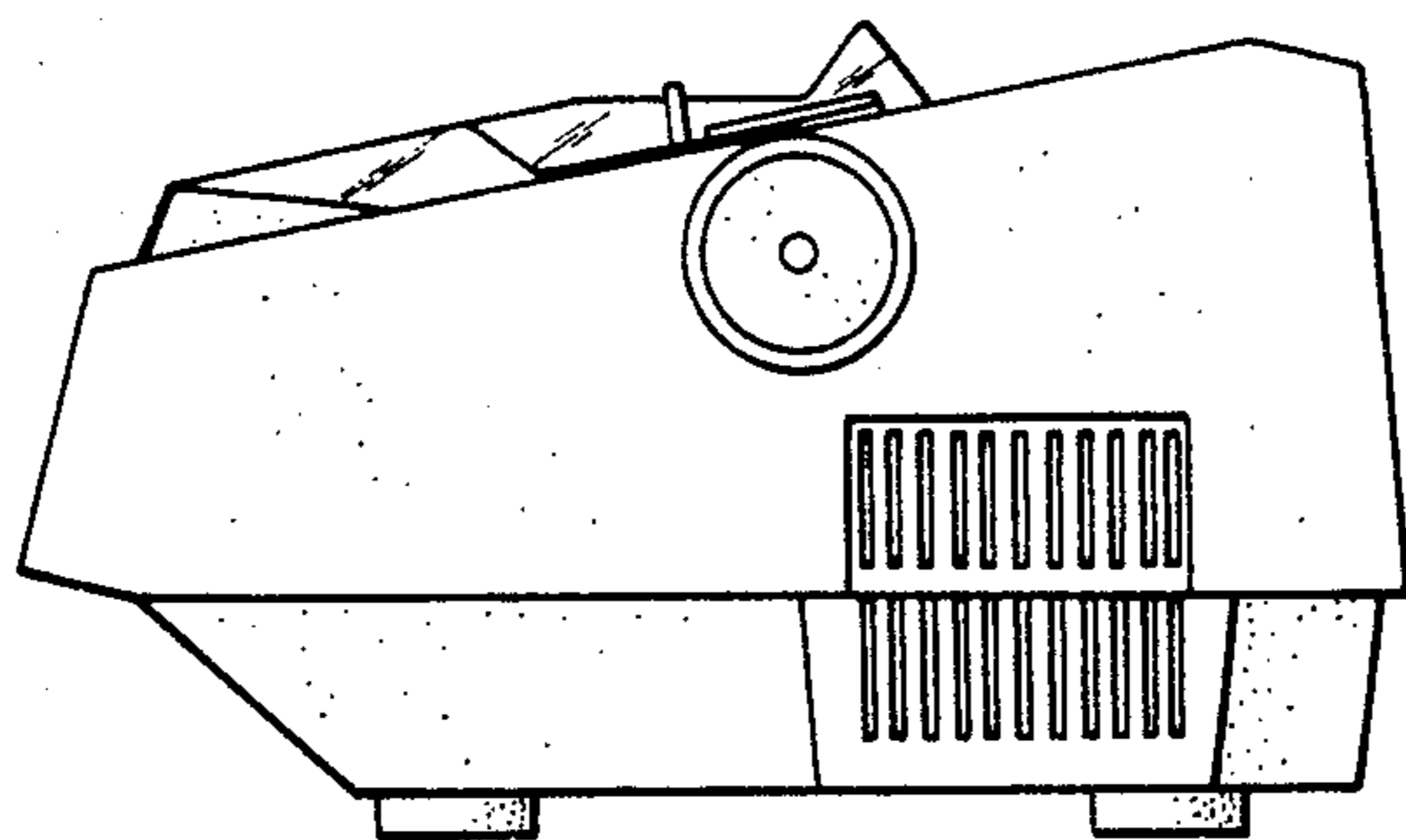


FIG. 4

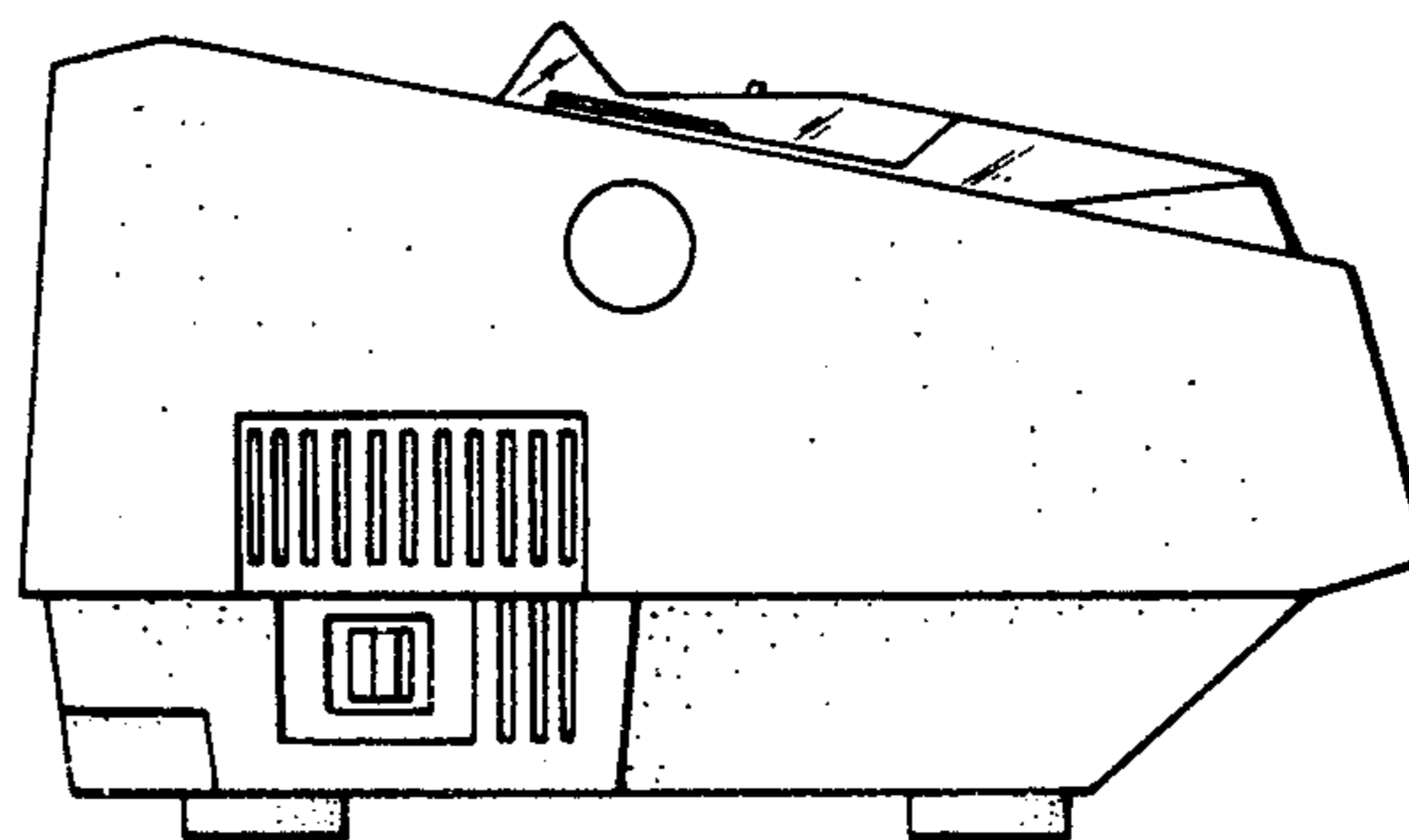


FIG. 5

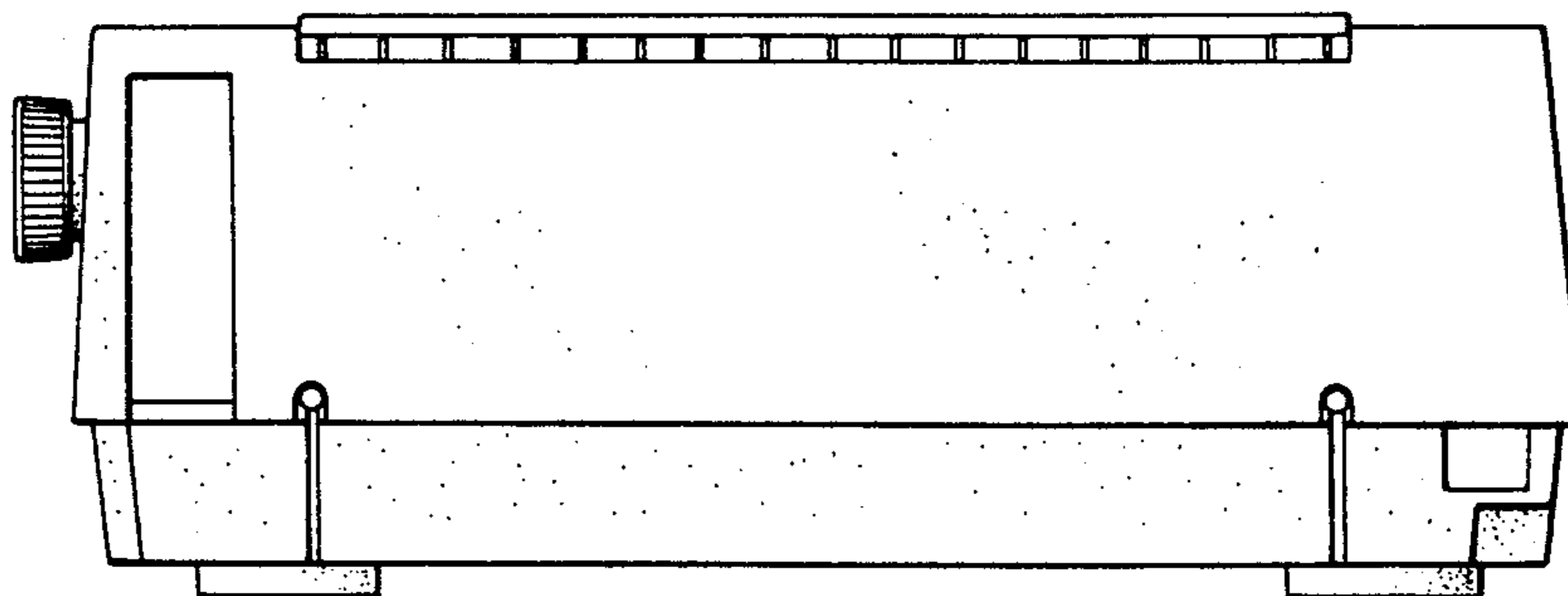


FIG. 6

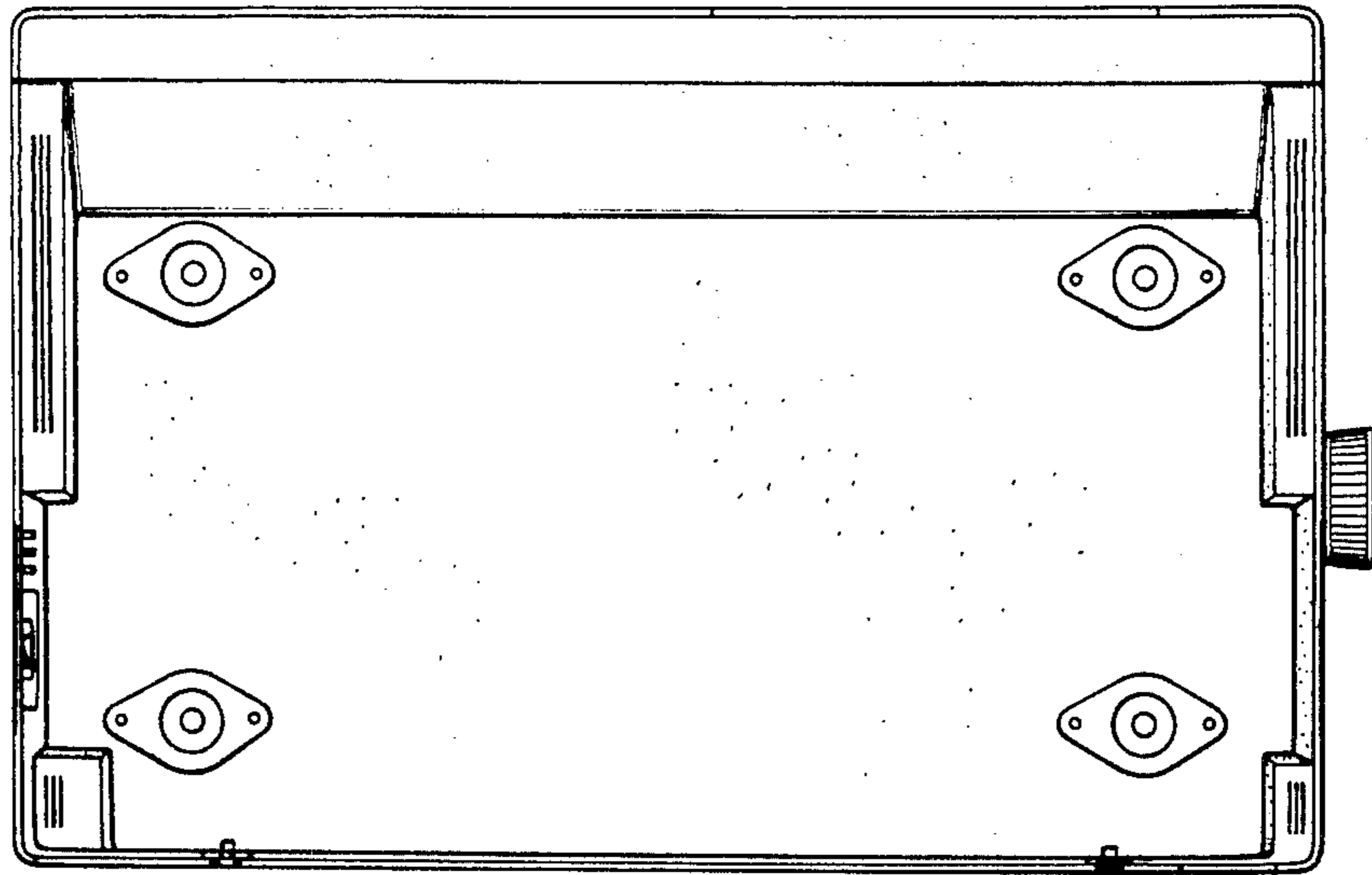


FIG. 7

