

- [54] COMBINED WRIST WATCH AND TOY VEHICLE
- [75] Inventor: Shigeru Nakane, Narashino, Japan
- [73] Assignee: Takara Co., Ltd., Tokyo, Japan
- [**] Term: 14 Years
- [21] Appl. No.: 608,386
- [22] Filed: May 9, 1984
- [52] U.S. Cl. D10/33; D21/150; D10/32; D10/38
- [58] Field of Search D10/15, 30, 32, 33, D10/38, 39; D12/82, 86, 89-90; D21/128, 136-137, 150, 166; 446/71-73, 76-77, 487; 368/10

4,456,384 6/1984 Murakami 446/487
 4,482,256 11/1984 Matsuda 368/277 X

Primary Examiner—Nelson C. Holtje
 Attorney, Agent, or Firm—Price, Gess & Ubell

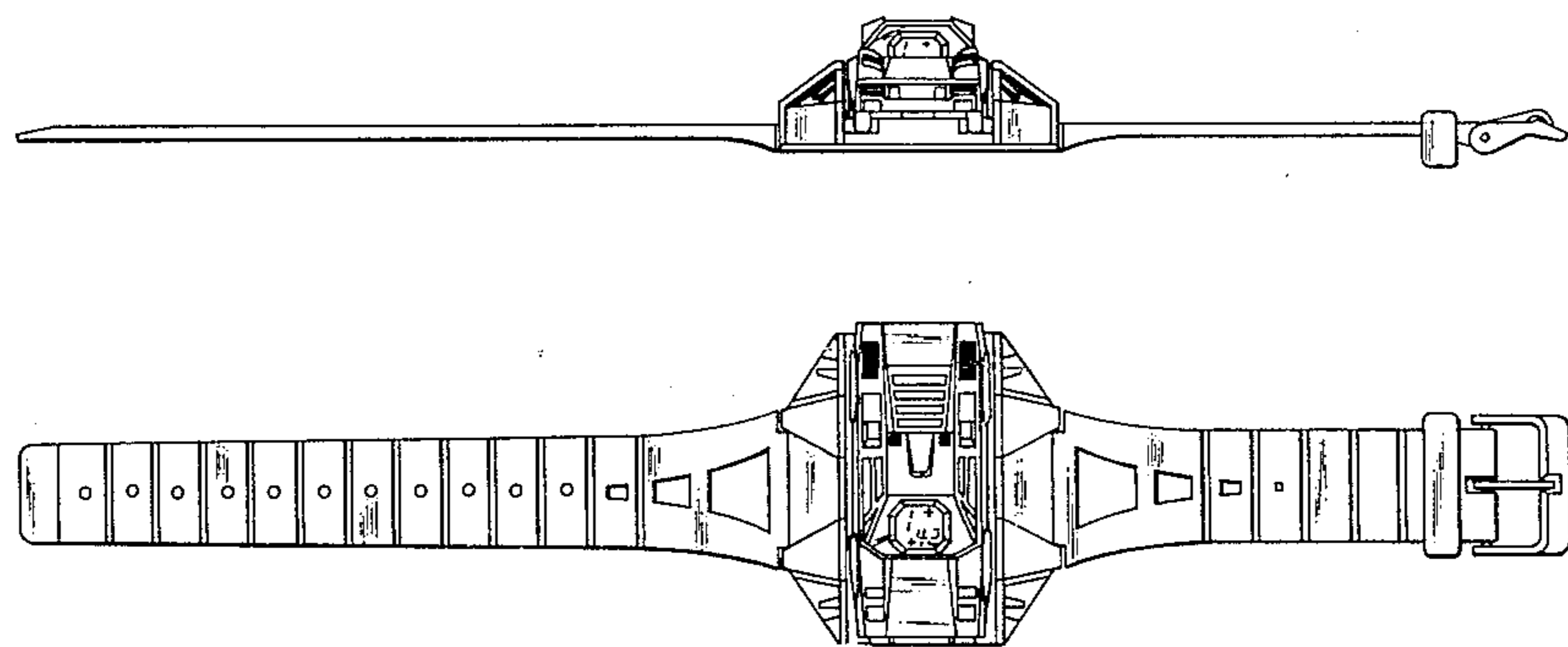
[57] CLAIM

The original and ornamental design for a combined wrist watch and toy vehicle, substantially as shown and described.

DESCRIPTION

FIG. 1 is a front elevational view of a combined wrist watch and toy vehicle showing my new design;
 FIG. 2 is a top plan view thereof;
 FIG. 3 is a bottom plan view thereof;
 FIG. 4 is a rear elevational view thereof;
 FIG. 5 is a left end elevational view thereof;
 FIG. 6 is a right end elevational view thereof;
 FIG. 7 is a top and left front perspective view of the toy vehicle watch with the holder/strap omitted for clarity of illustration;
 FIG. 8 is a top perspective view of the holder/strap with the toy vehicle watch omitted for clarity of illustration;
 FIG. 9 is a fragmentary top plan view of FIG. 8;
 FIG. 10 is a bottom plan view of FIG. 7.

- [56] References Cited
- U.S. PATENT DOCUMENTS
- D. 253,406 11/1979 Carabetta D12/90
- D. 275,586 9/1984 Matsuda D21/144
- D. 279,307 6/1985 Murakami D21/150
- D. 279,592 7/1985 Ogawa D21/150 X
- D. 279,916 7/1985 Obara D21/150 X
- D. 281,001 10/1985 Ohno D21/136
- D. 281,087 10/1985 Ohno D21/150 X



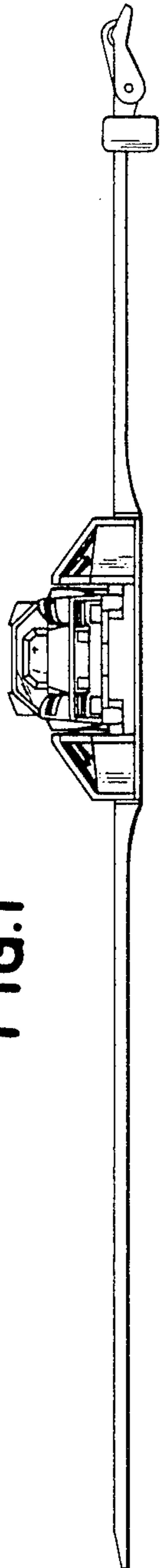


FIG. 1

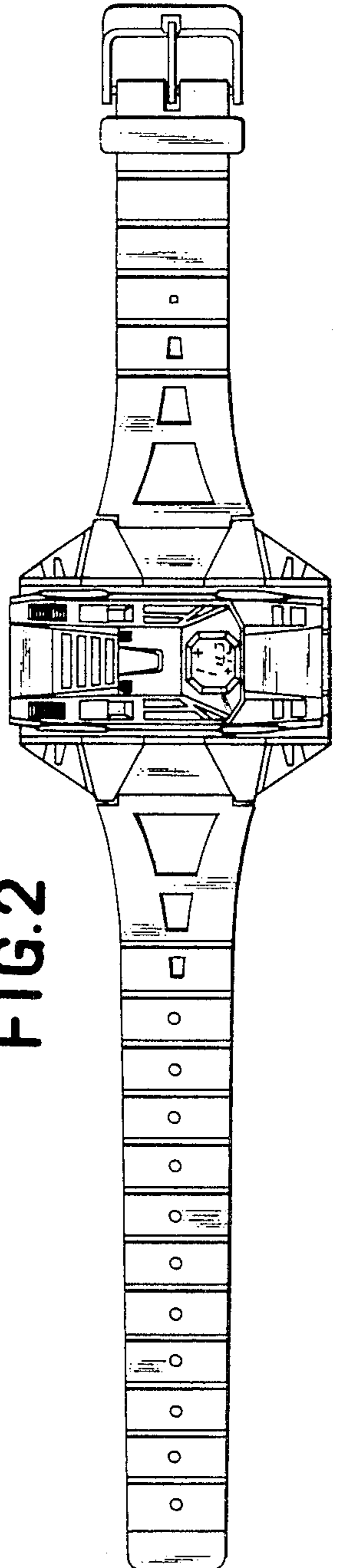


FIG. 2

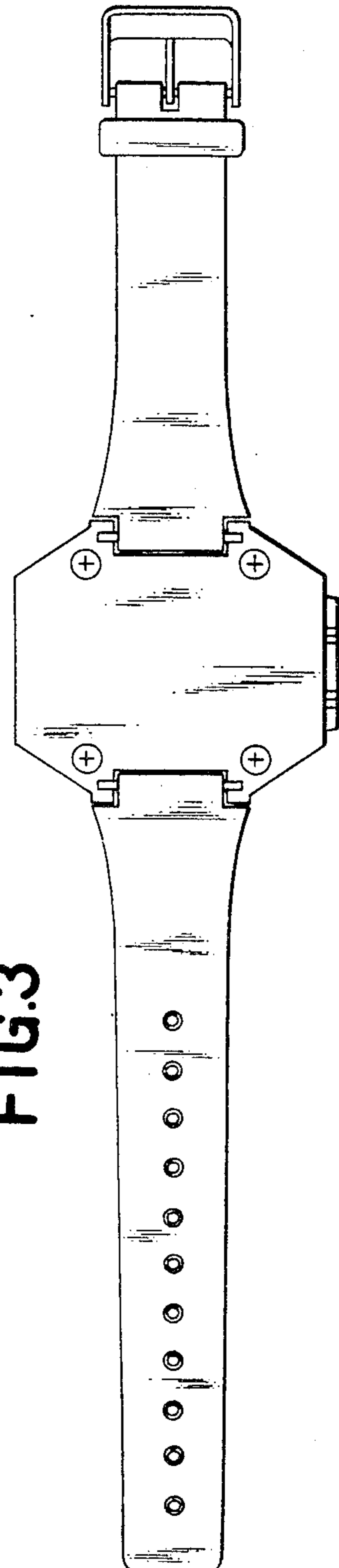


FIG. 3

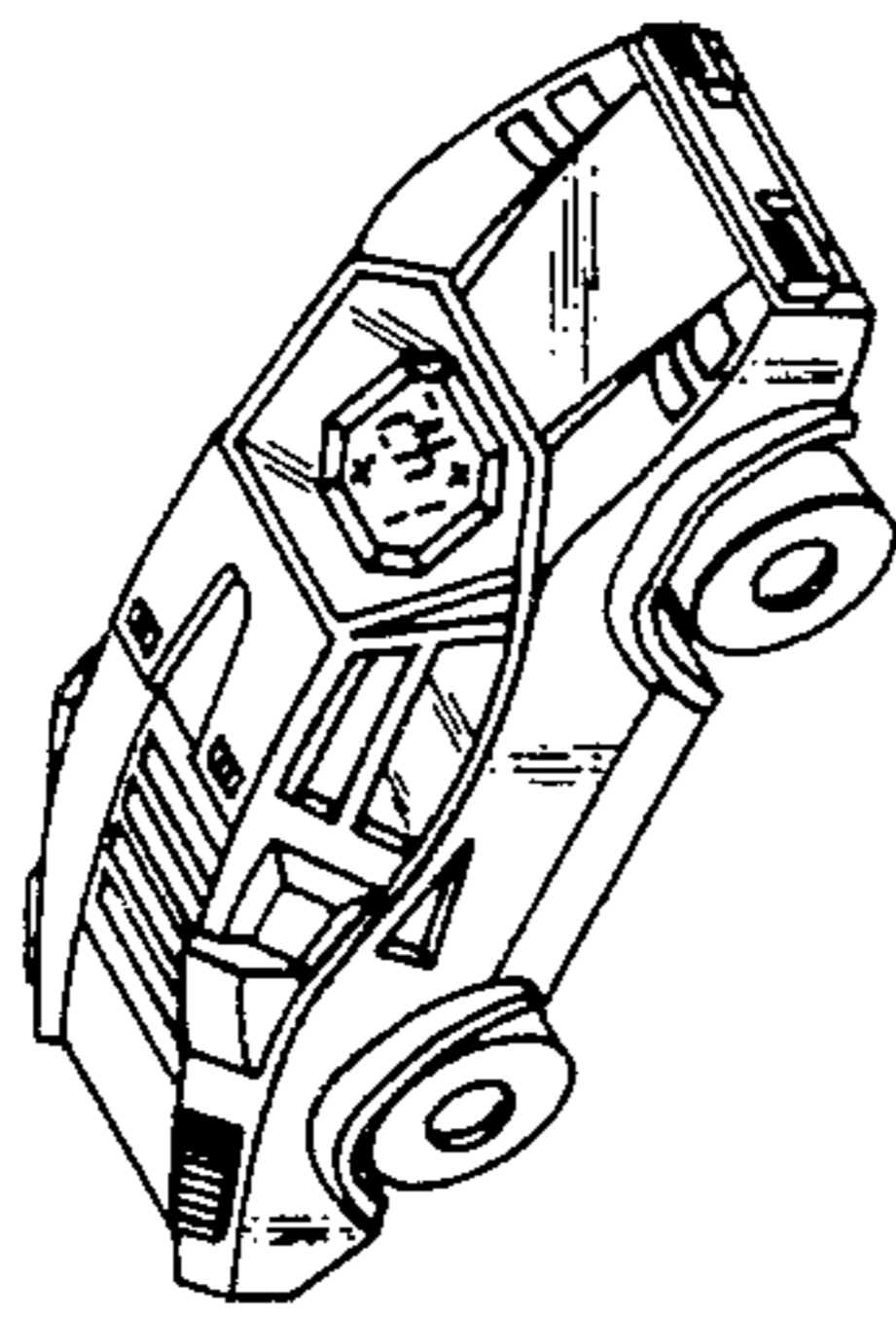


FIG. 7

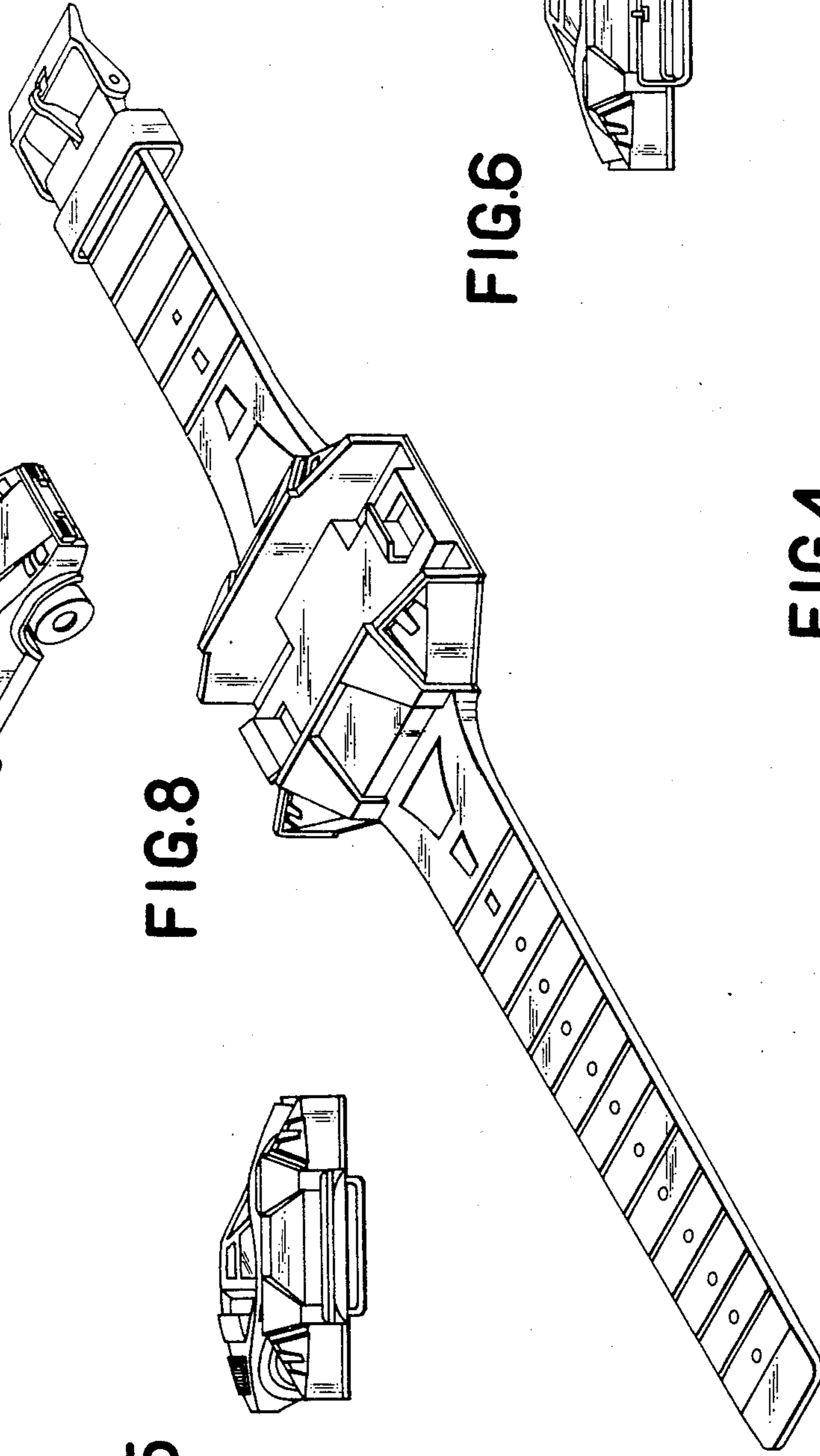


FIG. 8

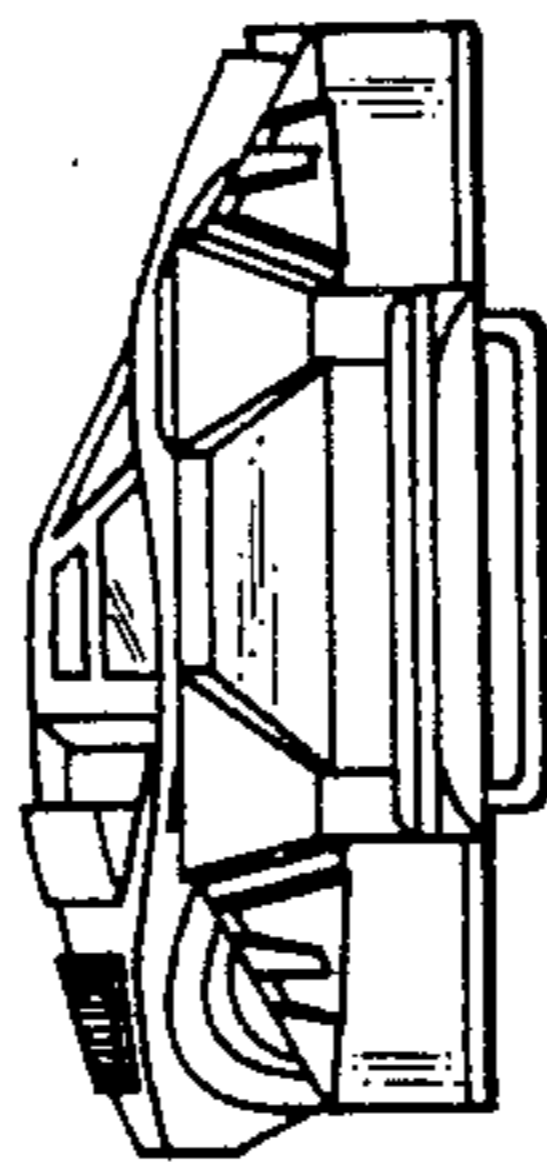


FIG. 5

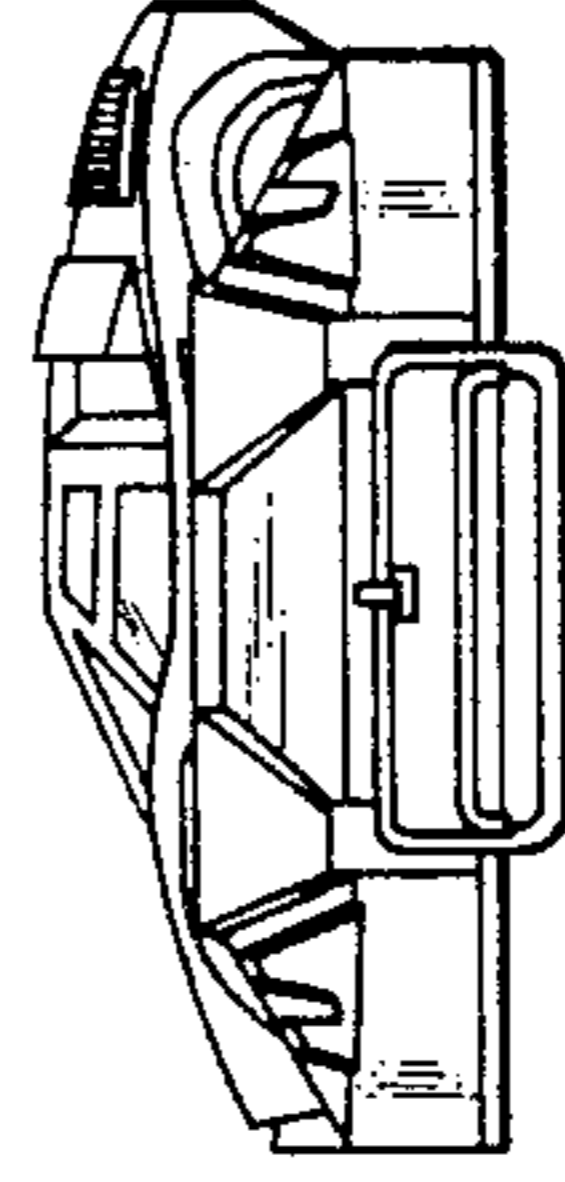


FIG. 6

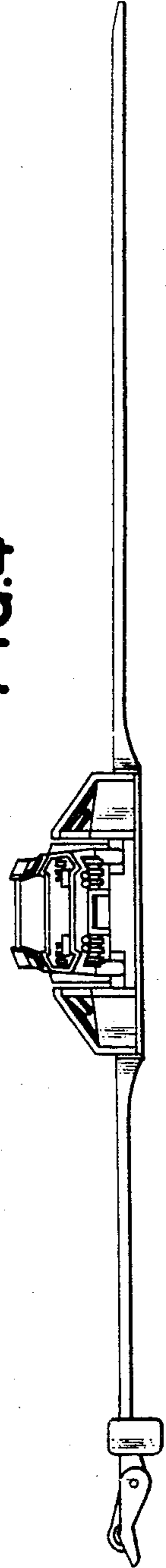


FIG. 4

FIG. 9

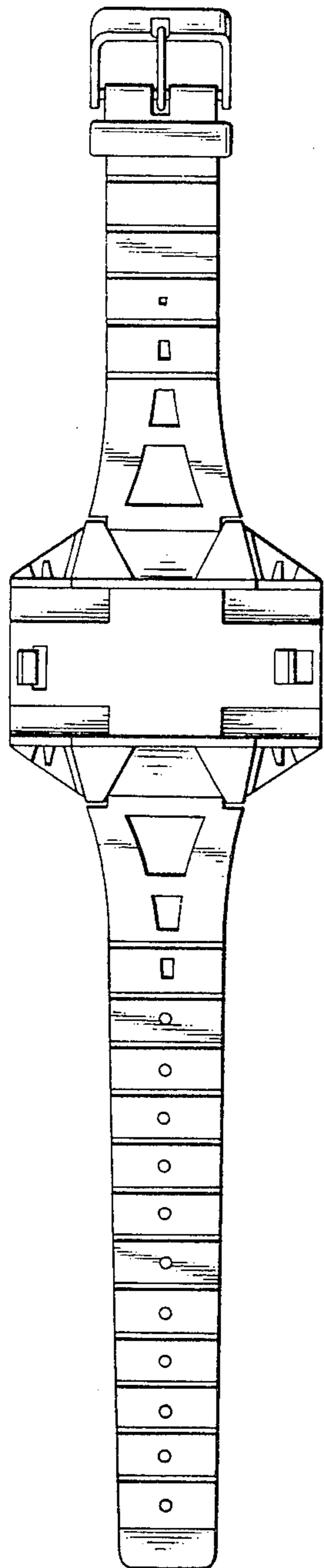


FIG. 10

