

[54] COMBINED BOTTLE AND CAP

[75] Inventor: Donald V. R. Thompson, New York, N.Y.

[73] Assignee: Newburgh Manufacturing Corporation, Newburgh, N.Y.

[\*\*] Term: 14 Years

[21] Appl. No.: 541,882

[22] Filed: Oct. 14, 1983

[52] U.S. Cl. .... D9/370; D9/377; D9/385; D9/412

[58] Field of Search ..... D9/367, 370, 377, 384, D9/385, 403, 412; 215/1 R, 1 C, 6

[56] References Cited

U.S. PATENT DOCUMENTS

D. 86,724	4/1932	Joseph	.....	D9/377
D. 214,019	5/1969	Newman	.....	D9/377
D. 220,561	4/1971	Quintal	.....	D9/412
D. 220,870	6/1971	Muscatiello	.....	D9/377
D. 221,834	9/1971	Schwartz	.....	D9/377
D. 272,603	2/1984	Dinand	.....	D9/384

D. 272,991	3/1984	Thompson	.....	D9/377
D. 277,647	2/1985	Lane	.....	D9/377
D. 279,077	6/1985	Drummond, Jr. et al.	.....	D9/377 X
4,331,239	5/1982	Ortal	.....	215/6 X

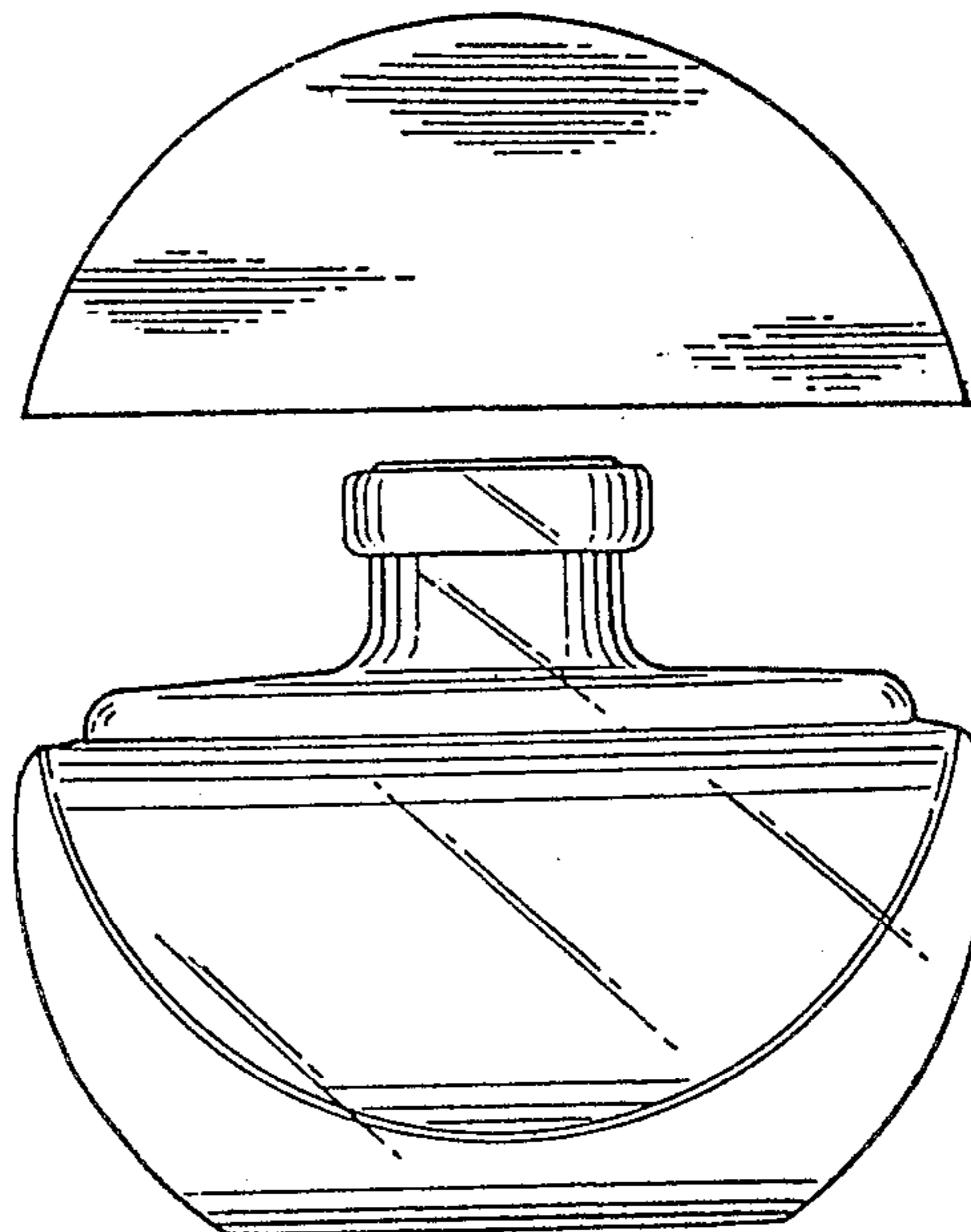
Primary Examiner—Robert C. Spangler  
Attorney, Agent, or Firm—Mattern, Ware, Stoltz & Fressola

[57] CLAIM

The ornamental design for a combined bottle and cap, substantially as shown and described.

DESCRIPTION

FIG. 1 is a perspective view of a combined bottle and cap showing my new design;  
 FIG. 2 is an elevation view thereof, the opposite side being the same in appearance;  
 FIG. 3 is an elevation view thereof, looking from the right side of FIG. 2, the opposite side being the same in appearance;  
 FIG. 4 is a top plan view thereof;  
 FIG. 5 is a bottom plan view thereof;  
 FIG. 6 is an end elevation view of the bottle; and  
 FIG. 7 is a front elevational view of the bottle and cap separated.



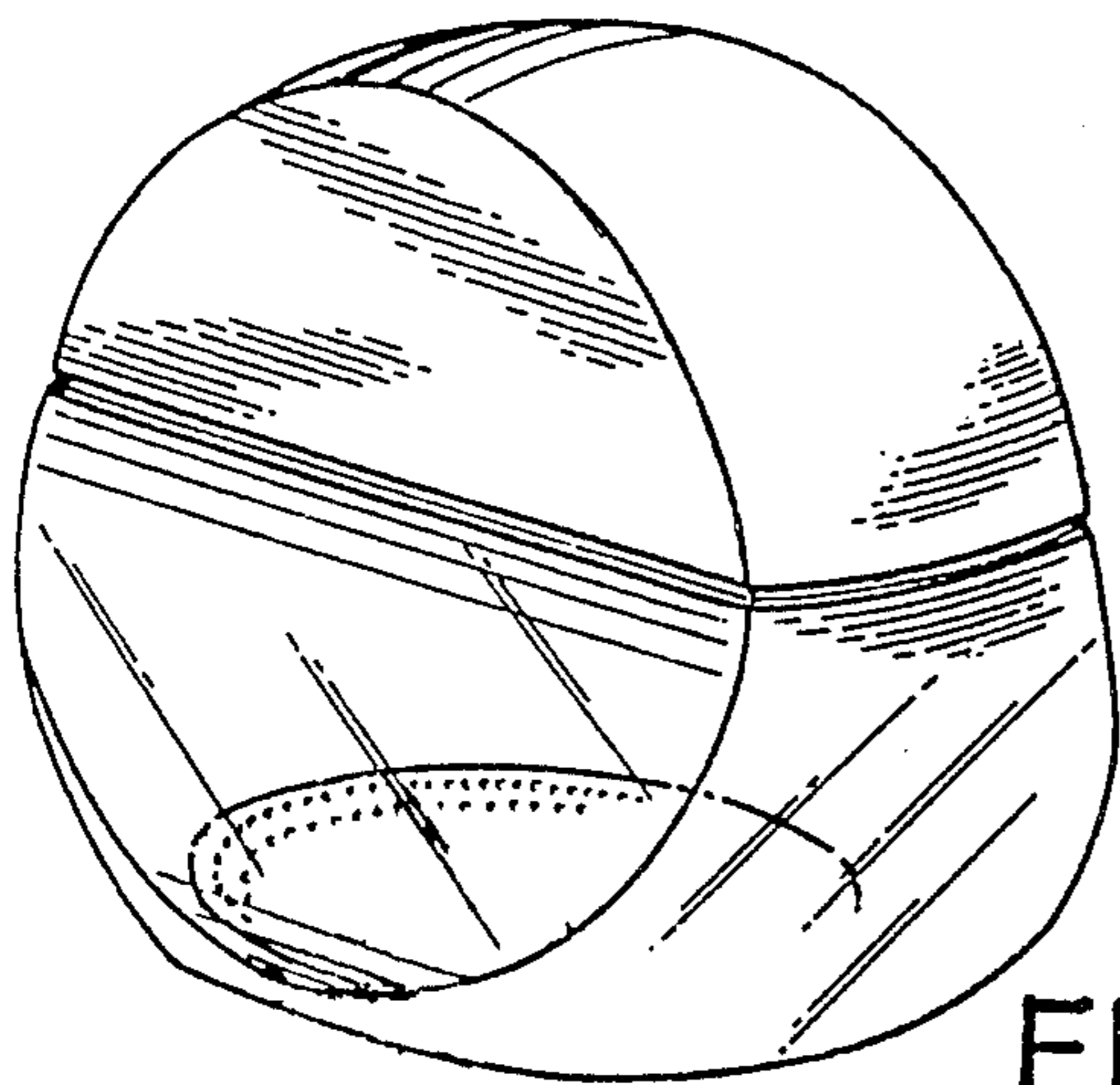


FIG. 1

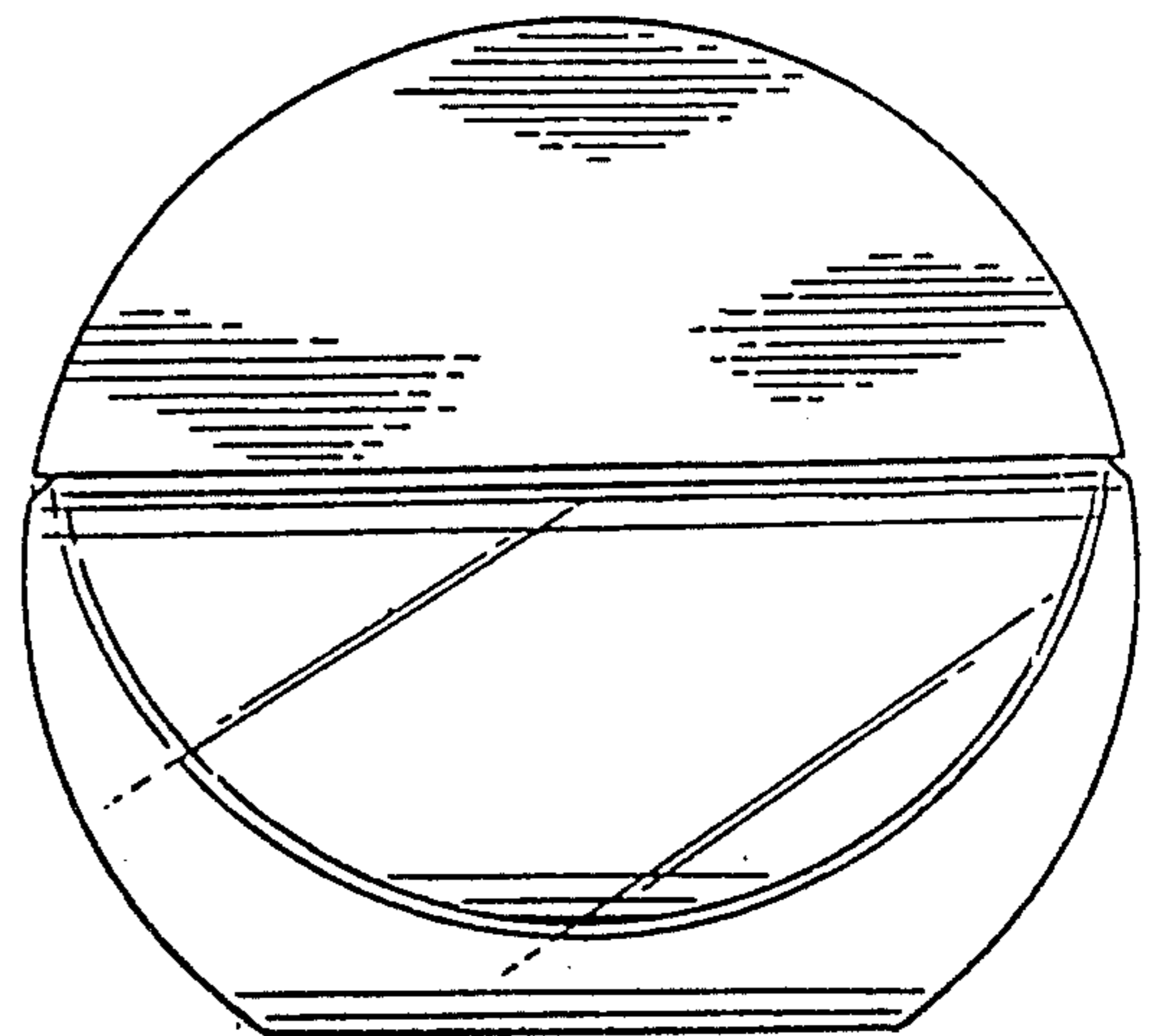


FIG. 2

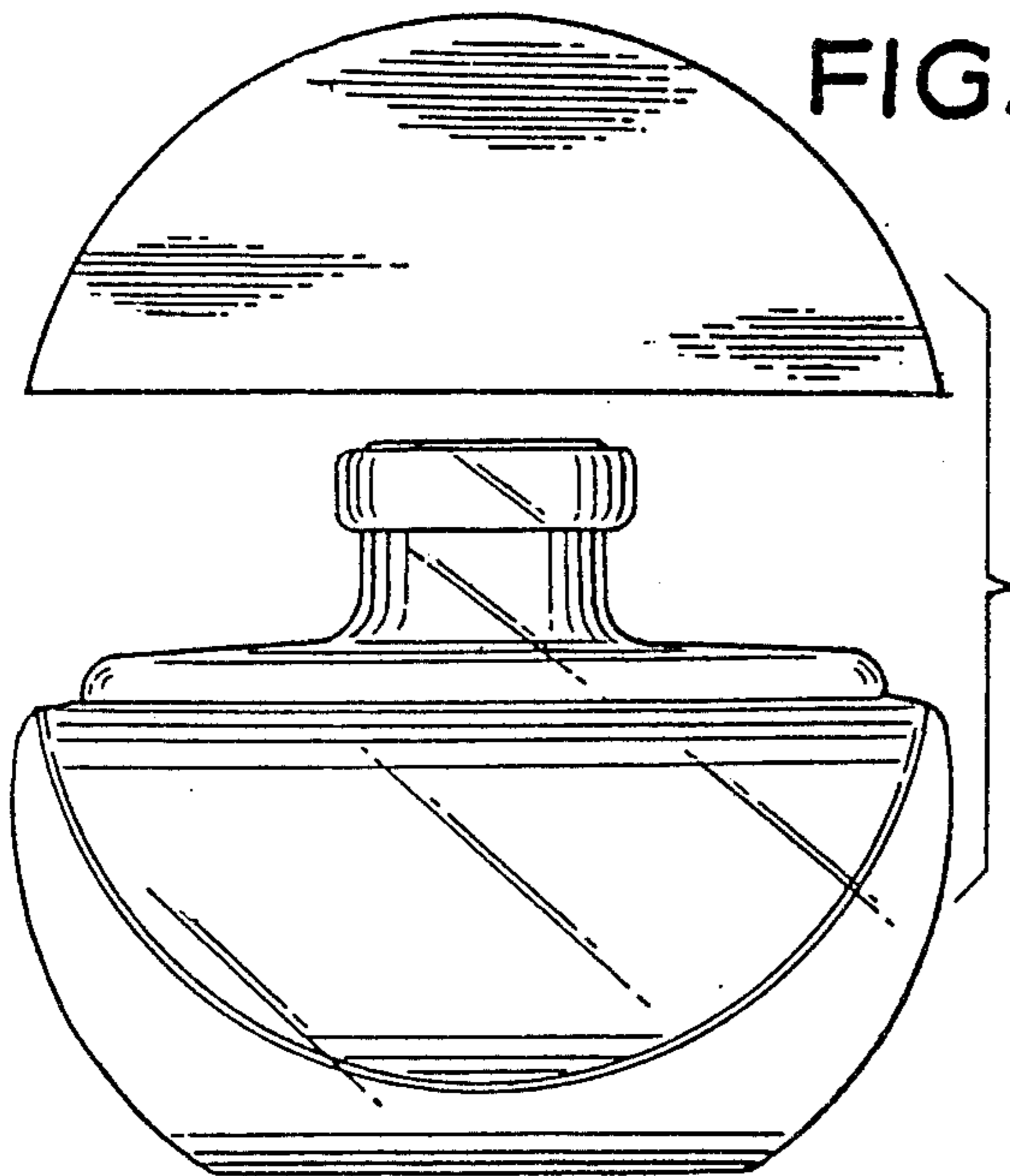


FIG. 3

FIG. 7

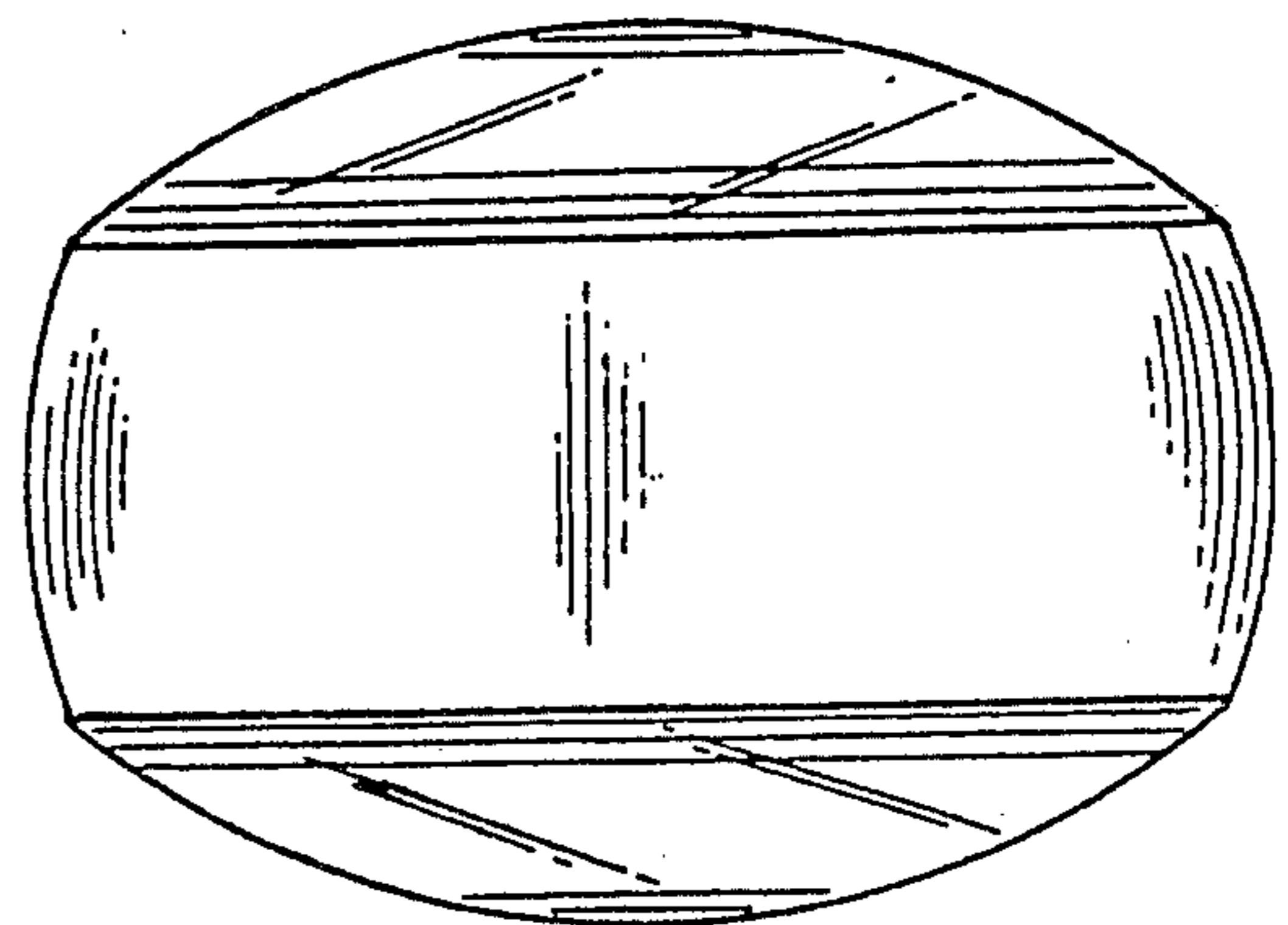


FIG. 4

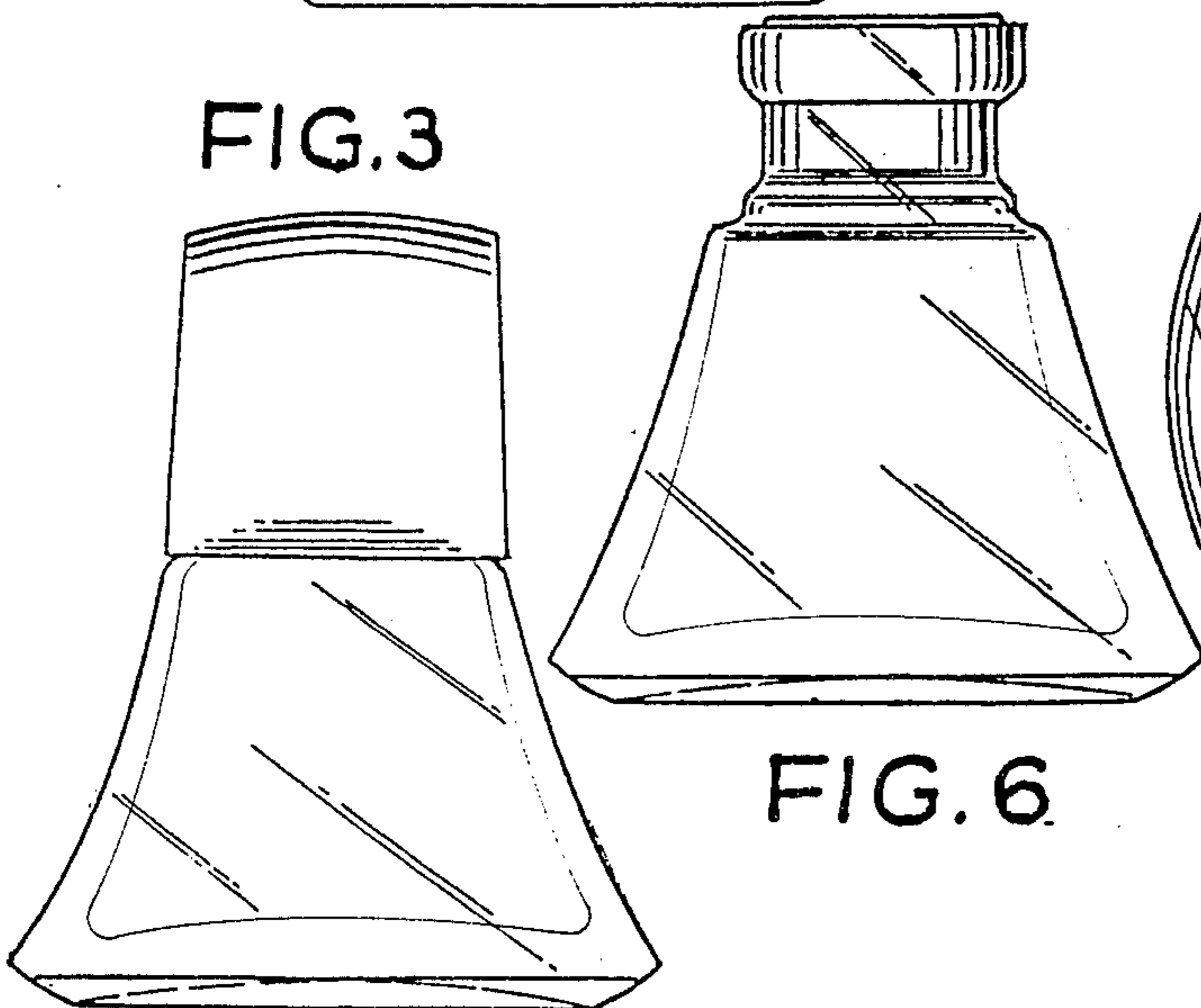


FIG. 6

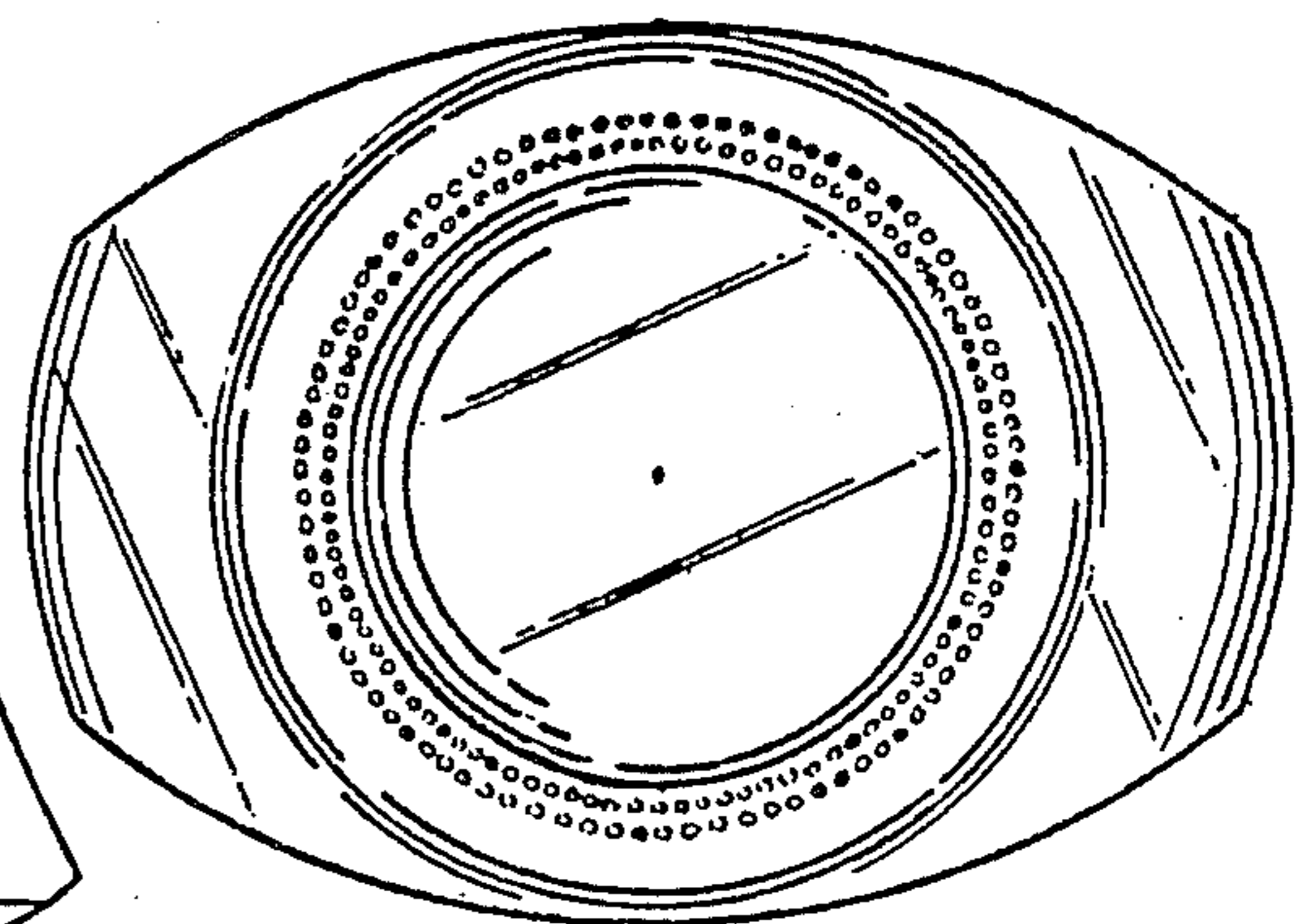


FIG. 5