

United States Patent [19]

Wallace

[11] Patent Number: **Des. 284,349**

[45] Date of Patent: **** Jun. 24, 1986**

[54] **PICTURE FRAME HANGER**

[76] Inventor: **Robert S. Wallace**, 823 S. Longwood Ave., Los Angeles, Calif. 90005

[**] Term: **14 Years**

[21] Appl. No.: **514,494**

[22] Filed: **Jul. 18, 1983**

[52] U.S. Cl. **D8/373**

[58] Field of Search **D8/367, 373; 248/489, 248/497, 498, 223.3, 225.2, 496; 40/152.1; 86/300**

[56] **References Cited**

U.S. PATENT DOCUMENTS

D. 262,774 1/1982 Wallace D8/373

D. 275,265 8/1984 Wallace D8/382
4,233,764 11/1980 Small 40/152.1
4,420,138 12/1983 Sobel 248/496

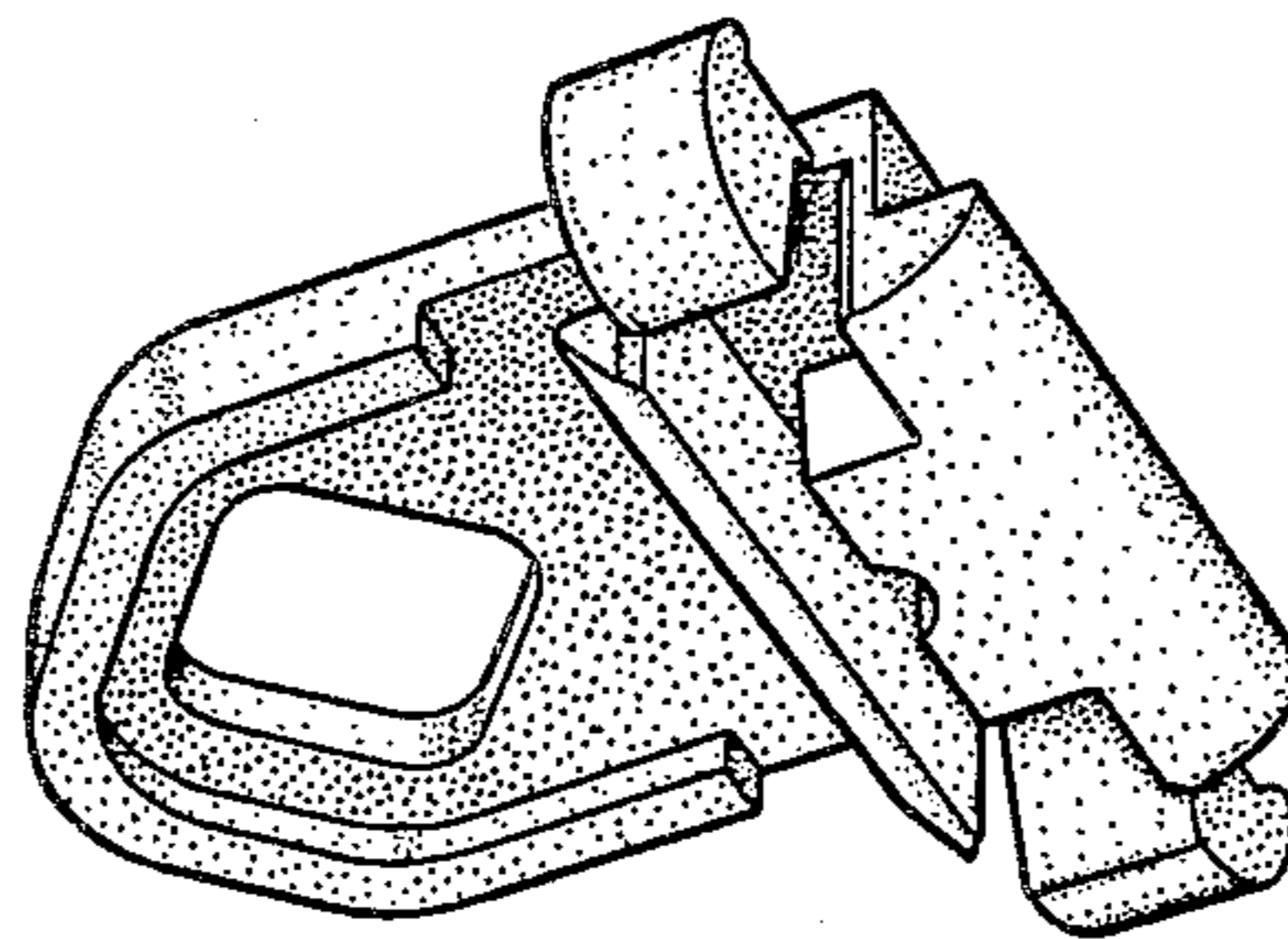
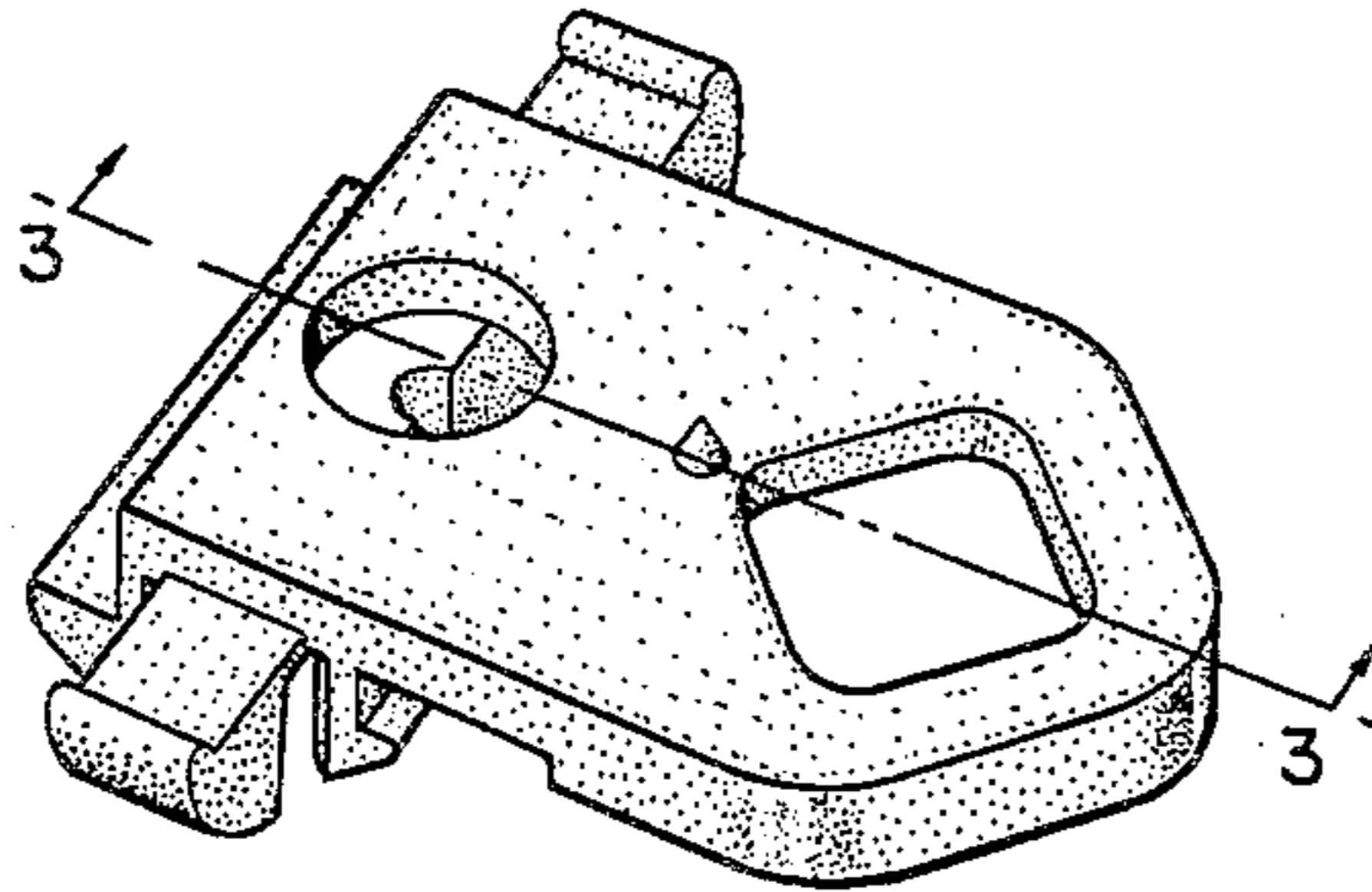
Primary Examiner—B. J. Bullock
Attorney, Agent, or Firm—William W. Haefliger

[57] CLAIM

The ornamental design for a picture frame hanger, substantially as shown and described.

DESCRIPTION

FIG. 1 is a top perspective view of a picture frame hanger showing my new design;
FIG. 2 is a bottom perspective view thereof;
FIG. 3 is a reduced sectional view taken in the direction of the arrows on line 3—3 of FIG. 1, the broken line showing of a picture frame channel being for illustrative purposes only.



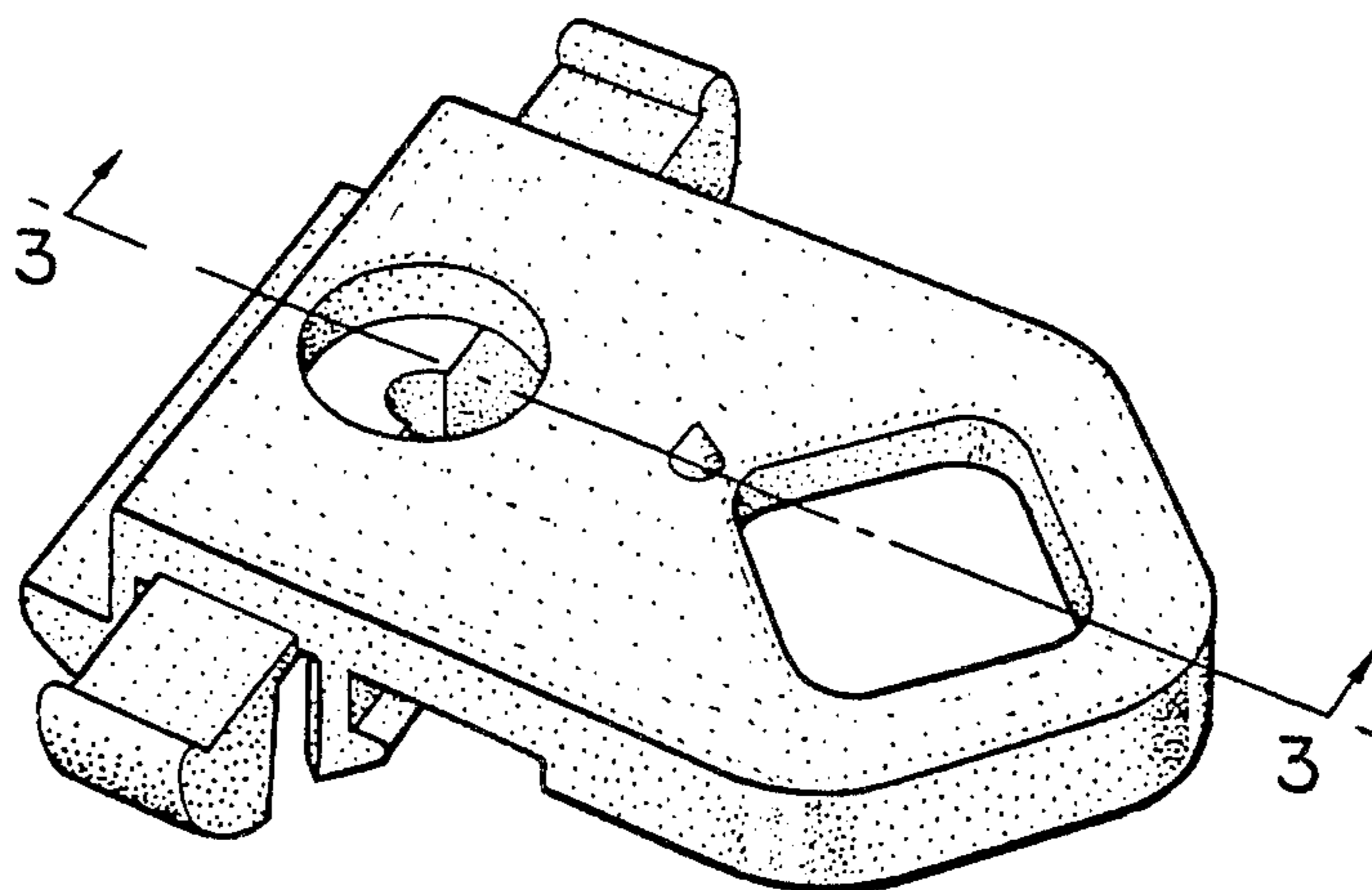


FIG.-1

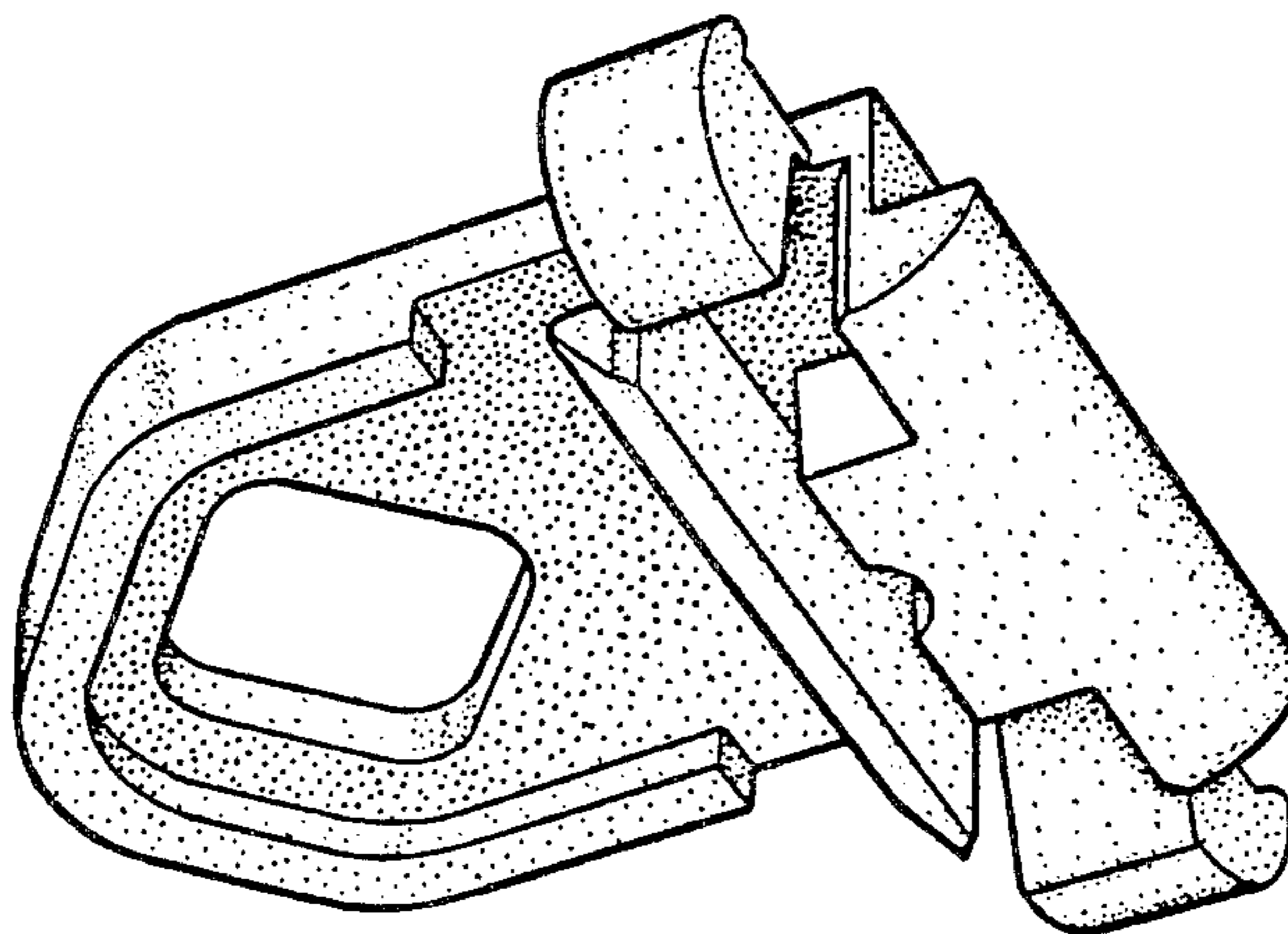


FIG.-2

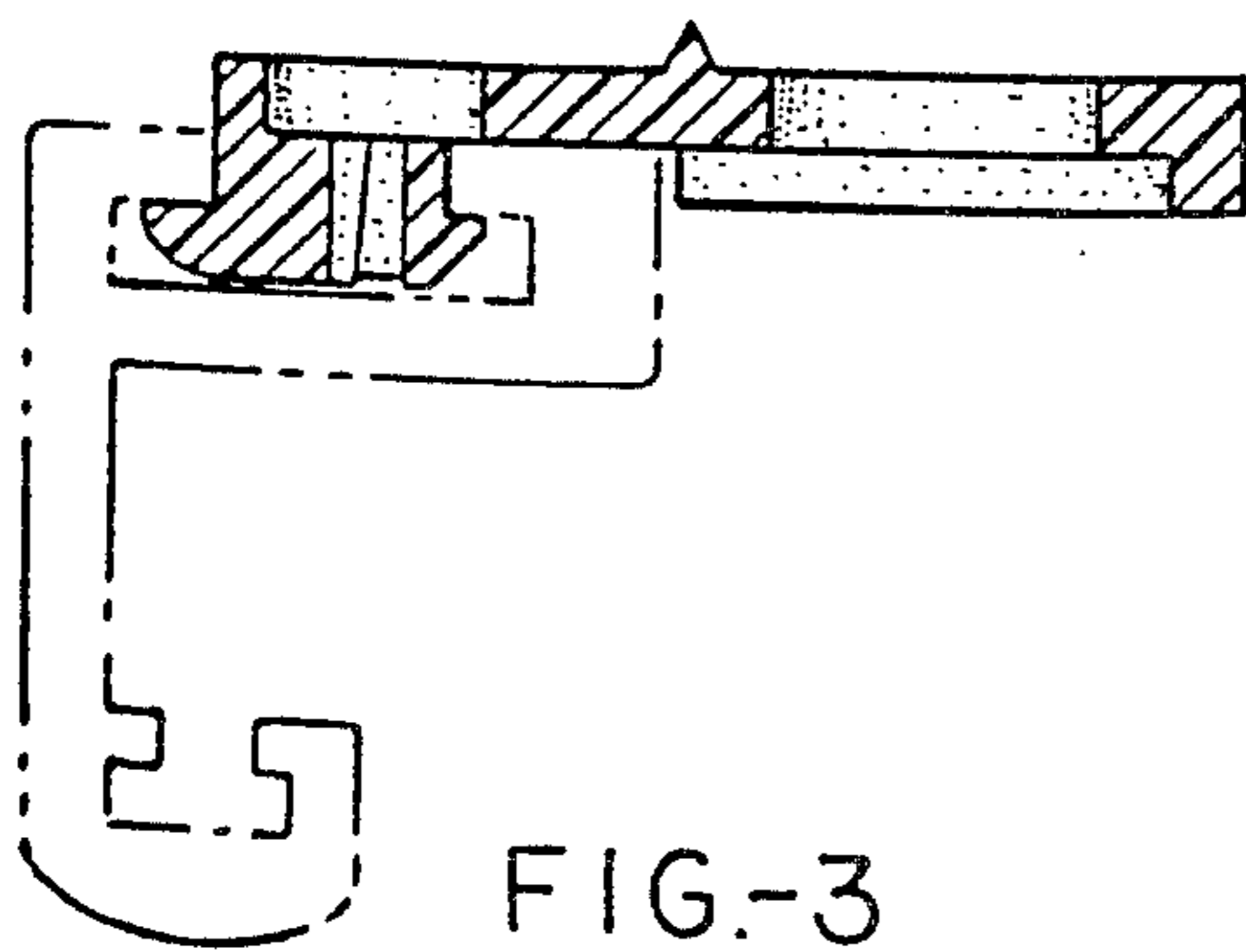


FIG.-3