

[54] FOLDABLE CORDWOOD SAWBUCK FOR CHAIN SAW

[76] Inventor: David R. Covey, P.O. Box 800, Williamstown, Vt. 05679

[**] Term: 14 Years

[21] Appl. No.: 468,455

[22] Filed: Feb. 22, 1983

[52] U.S. Cl. D8/71

[58] Field of Search D8/71, 72; D15/140, D15/141; 248/176; 269/296, 287, 69, 901

[56] References Cited

U.S. PATENT DOCUMENTS

2,652,079	9/1953	Worthen	269/296
2,733,740	2/1956	Little	269/296
3,053,290	9/1962	Fitzgerald	269/296
3,433,277	3/1969	Ribley	269/296 X

4,350,067 9/1982 Picard D15/141 X

Primary Examiner—Susan J. Lucas
Attorney, Agent, or Firm—Thomas N. Neiman

[57] CLAIM

The ornamental design for a foldable cordwood sawbuck for chain saw, as shown and described.

DESCRIPTION

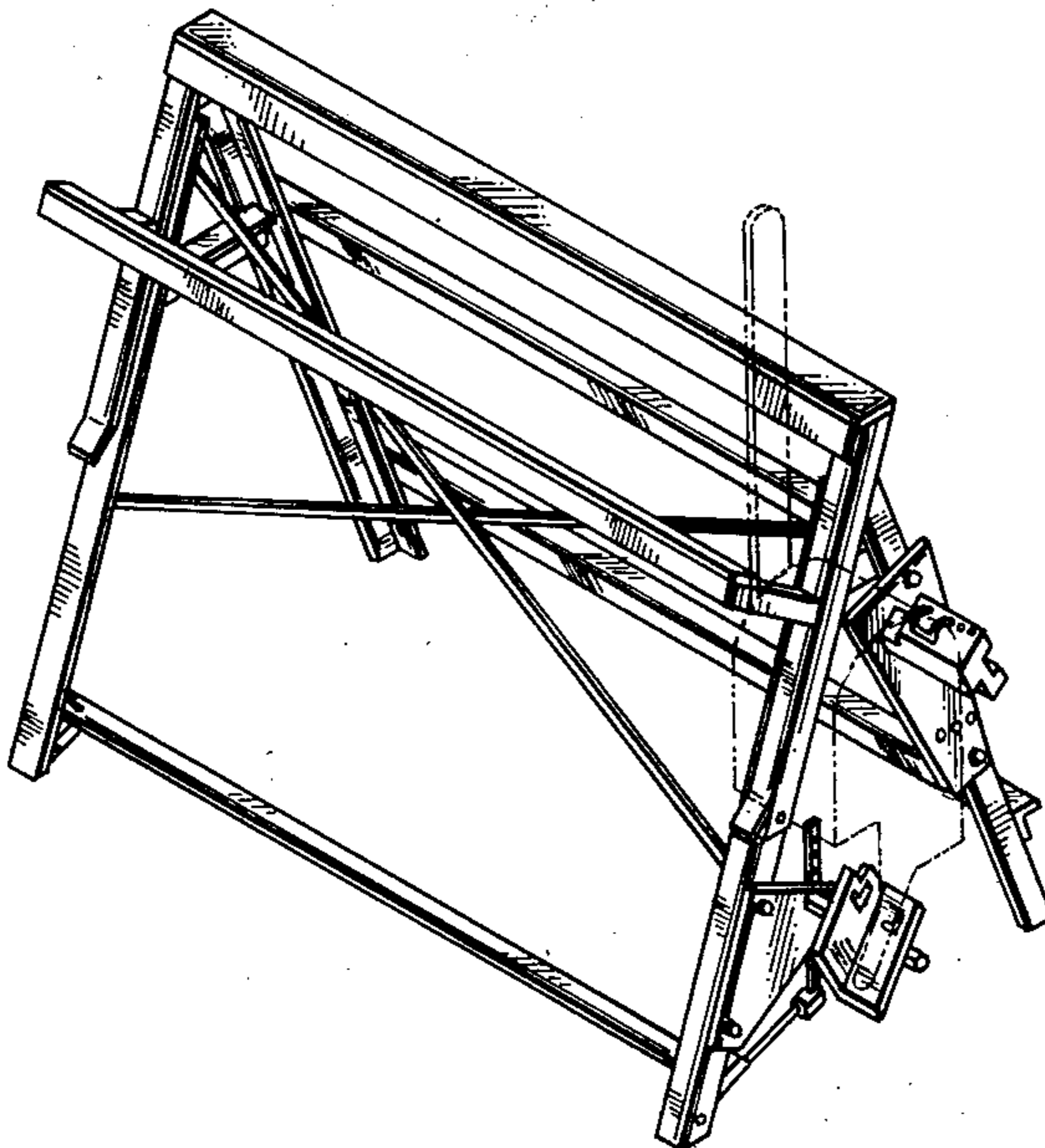
FIG. 1 is a front, left side perspective view of a foldable cordwood sawbuck for chain saw showing my new design, the chainsaw being shown in broken lines for illustrative purposes only;

FIG. 2 is a front elevational view thereof on a reduced scale;

FIG. 3 is a rear elevational view thereof on a reduced scale;

FIGS. 4 and 5 are respectively top and bottom plan views thereof on a reduced scale;

FIGS. 6 and 7 are respectively left and right side elevational views thereof on a reduced scale.



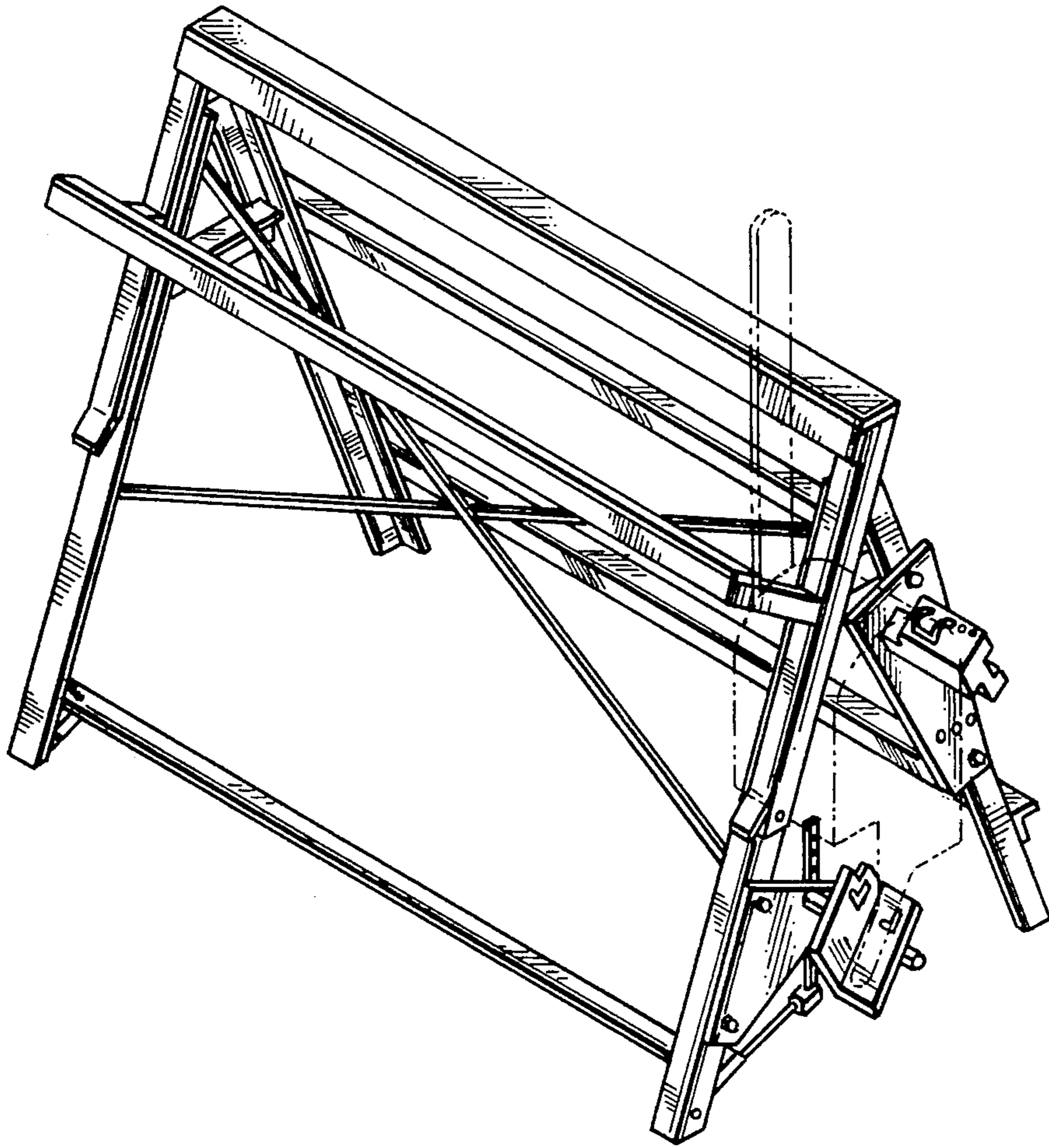


FIG. 1

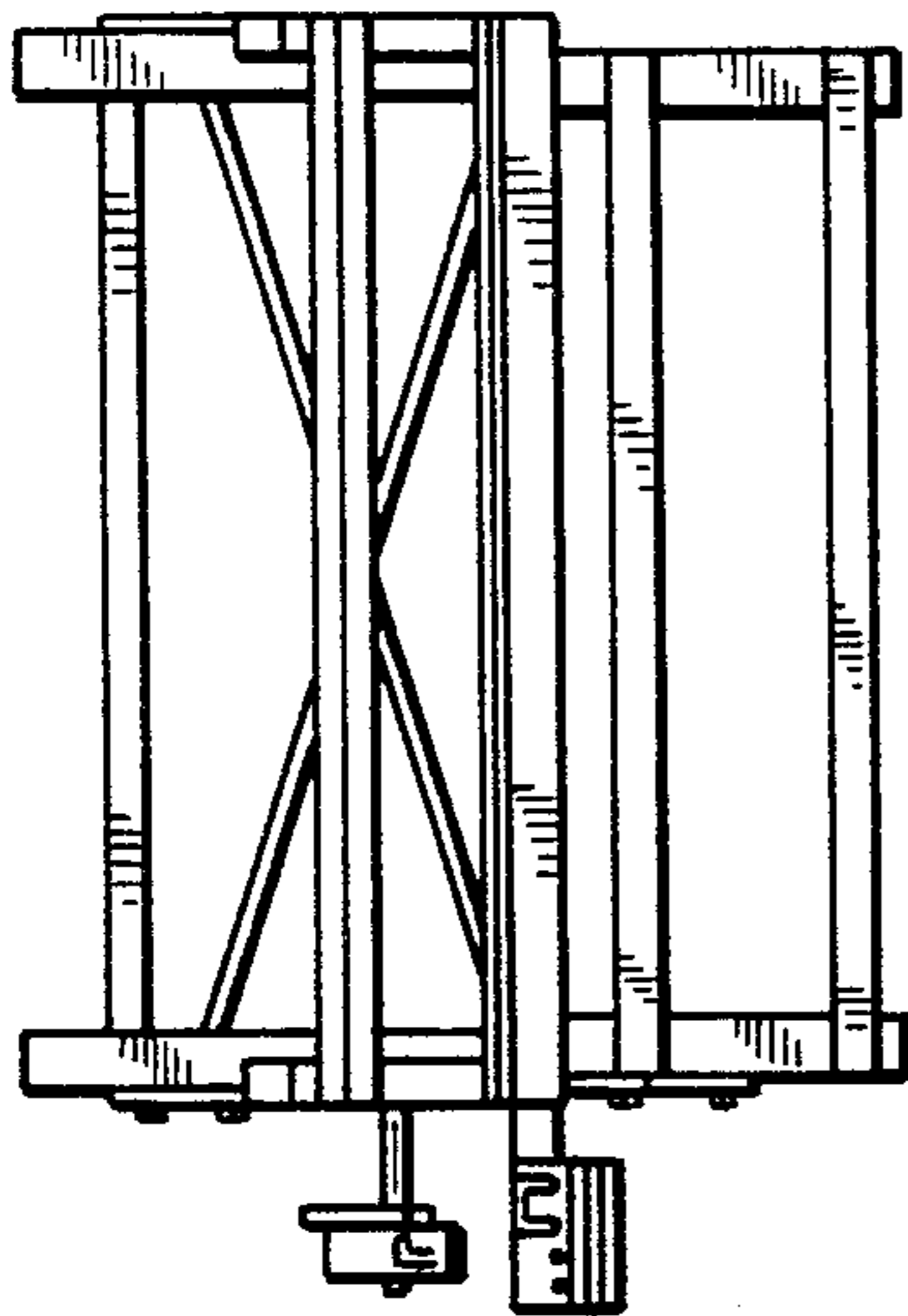


FIG. 4

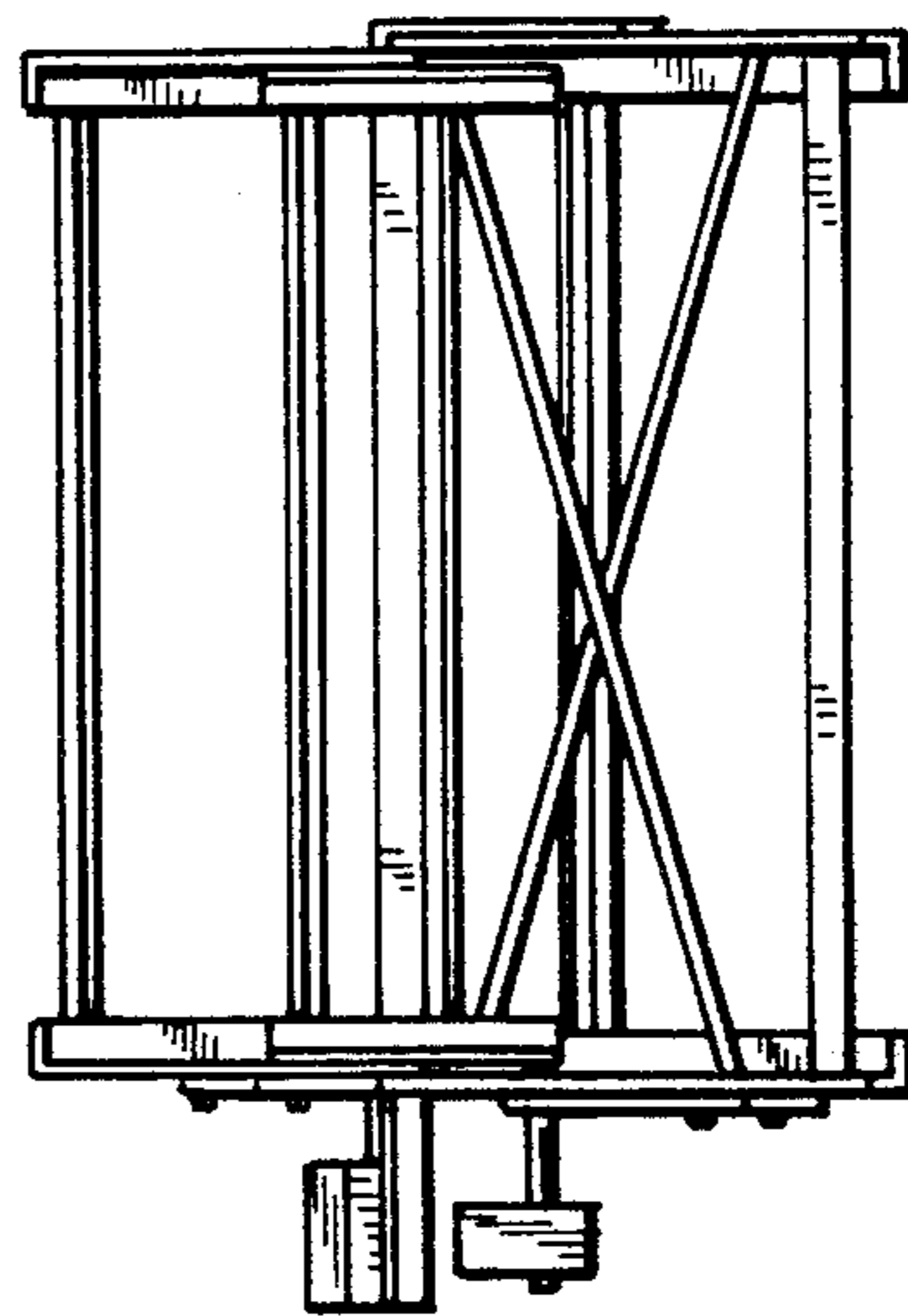


FIG. 5

FIG. 2

FIG. 3

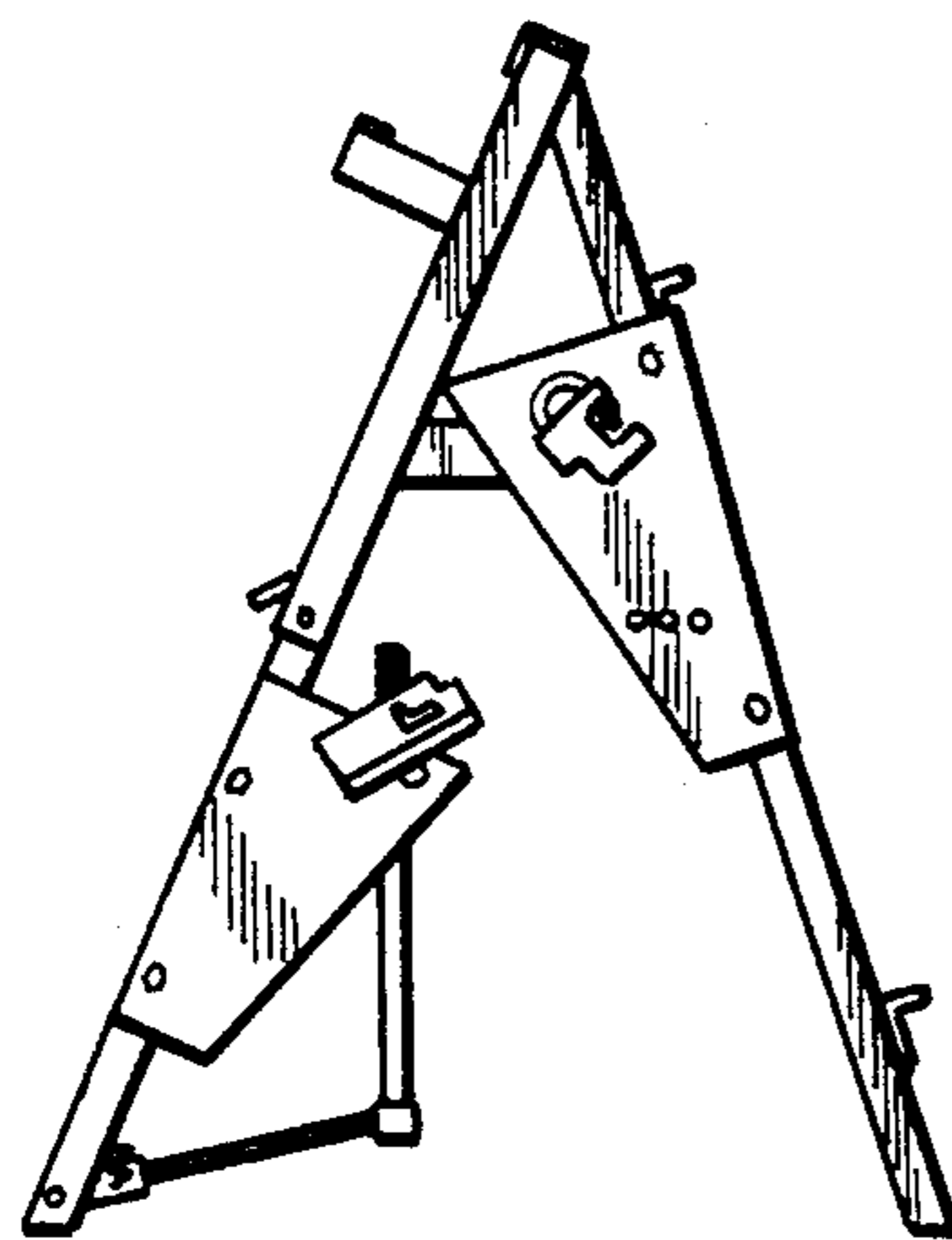


FIG. 6

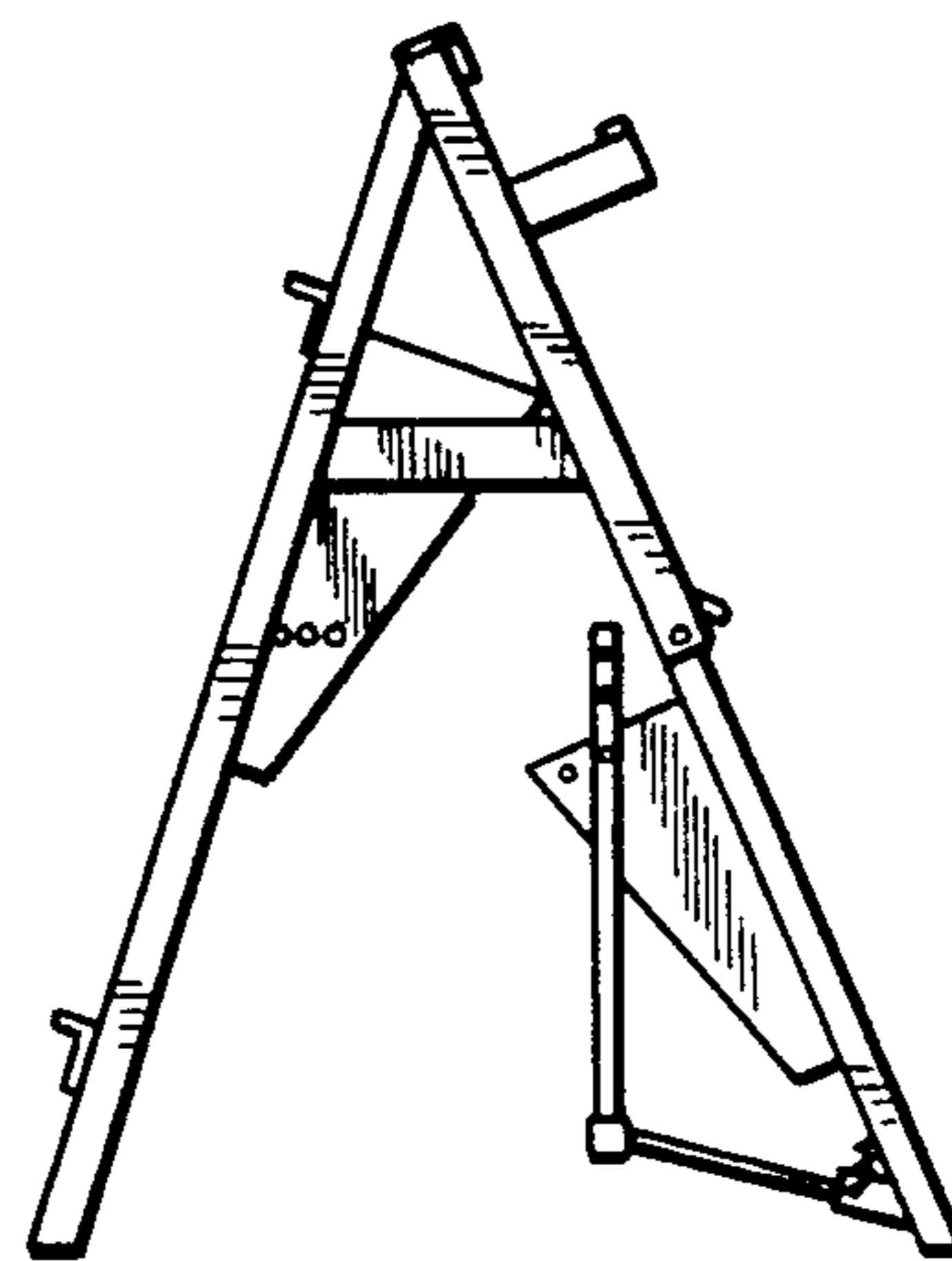


FIG. 7

