

[54] CHUCK KEY HOLDER

[76] Inventor: Ernest G. Masters, 450 Rochdale Rd., Royton, Lancashire, England, OL2 6TS

[\*\*] Term: 14 Years

[21] Appl. No.: 476,919

[22] Filed: Mar. 21, 1983

[30] Foreign Application Priority Data

Dec. 18, 1982 [GB] United Kingdom ..... 1010386

[52] U.S. Cl. .... D8/21; D8/107

[58] Field of Search ..... D8/14, 21, 24, 107, D8/71, 31, 10, 42, 300, 307, 319; 279/1 K; 81/16, 3.48; 16/110 R; 294/57

[56] References Cited

U.S. PATENT DOCUMENTS

D. 269,773 7/1983 Niconchuk ..... D8/31  
1,970,409 8/1934 Wiedemann ..... D8/29 X

3,922,935 12/1975 Dahlem ..... D8/24 X  
4,111,079 9/1978 Derbyshire ..... 279/1 K X

FOREIGN PATENT DOCUMENTS

223226 12/1958 Australia ..... 294/57

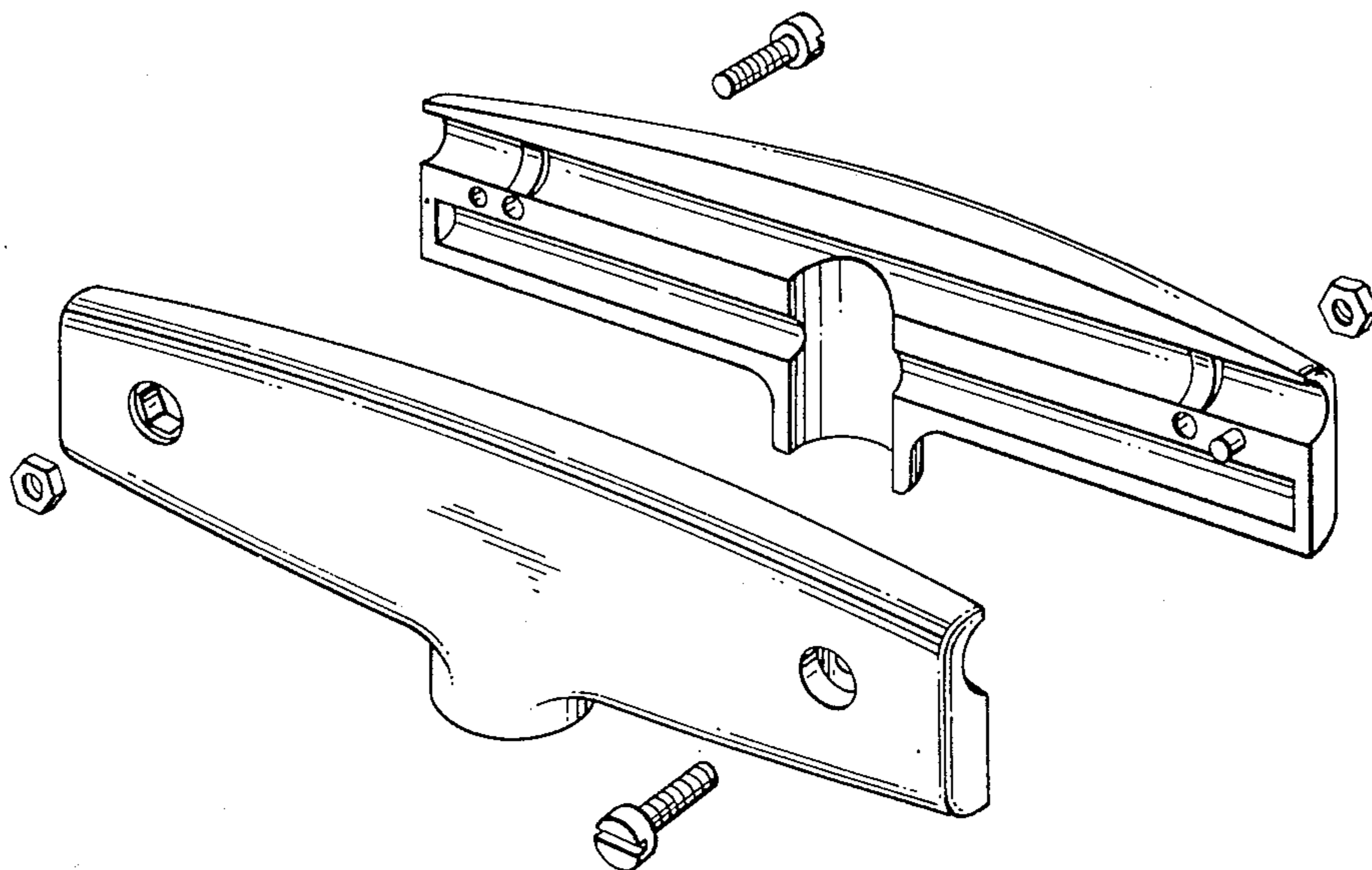
Primary Examiner—Susan J. Lucas  
Attorney, Agent, or Firm—Ross, Ross & Flavin

[57] CLAIM

The ornamental design for a chuck key holder, as shown and described.

DESCRIPTION

FIG. 1 is an exploded, front perspective view of a chuck key holder embodying my new design;  
FIG. 2 is a front perspective view thereof;  
FIG. 3 is a front elevational view thereof, the rear being a mirror image;  
FIG. 4 is an end elevational view thereof, the opposite end being a mirror image;  
FIG. 5 is a bottom plan view thereof.



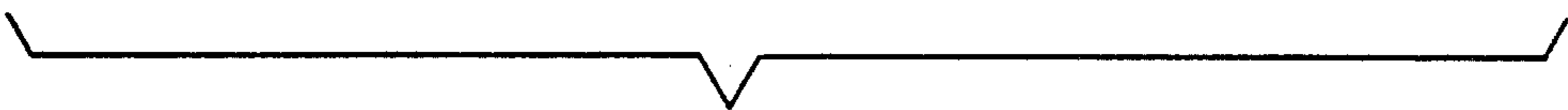
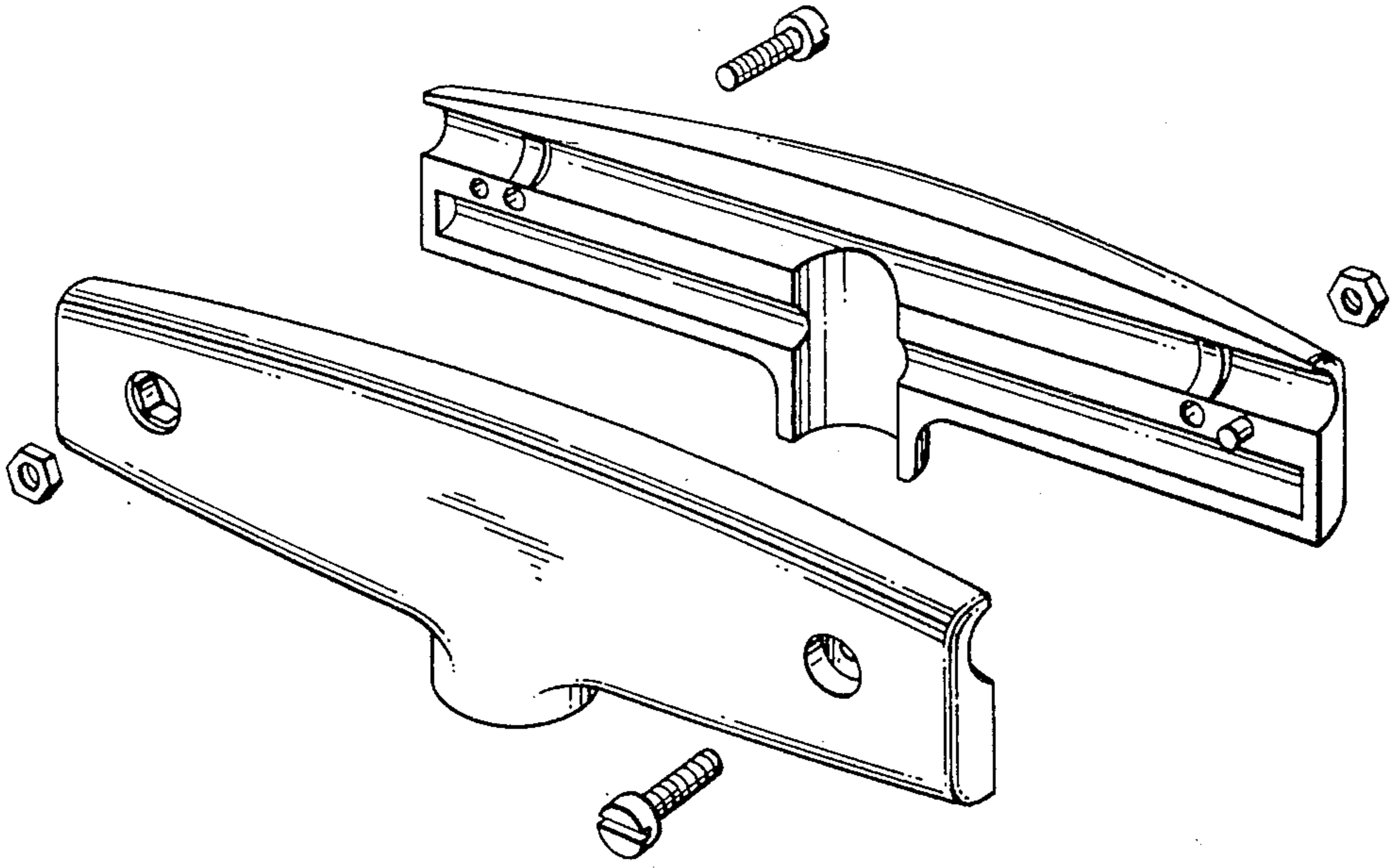


Fig. 1

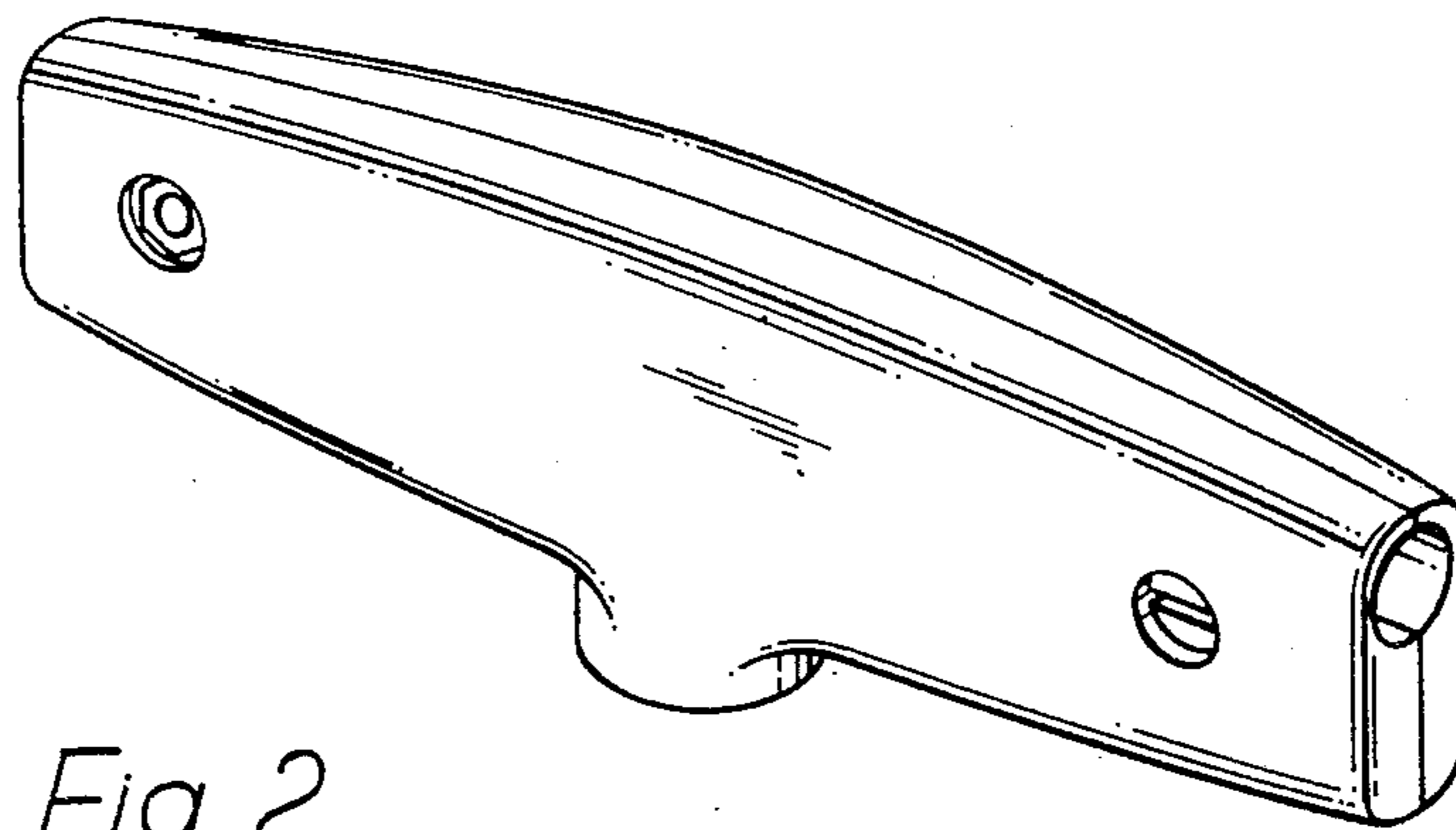


Fig. 2

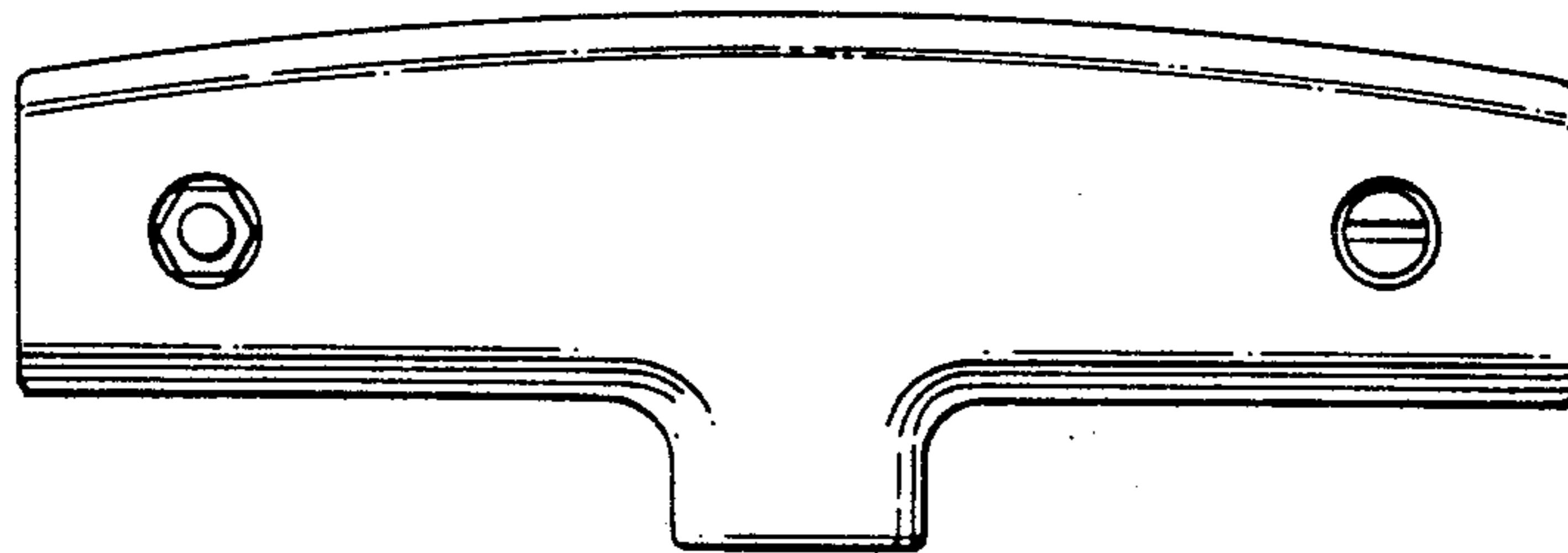


Fig. 3

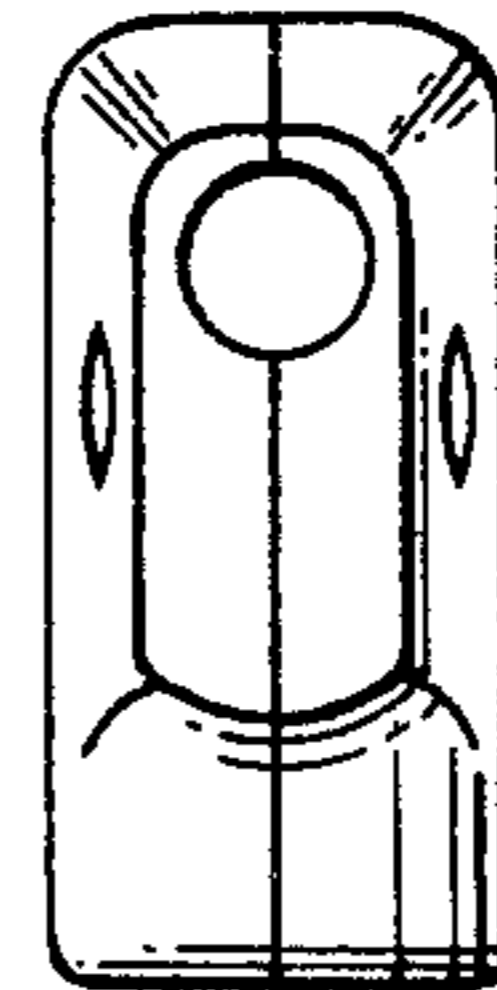


Fig. 4

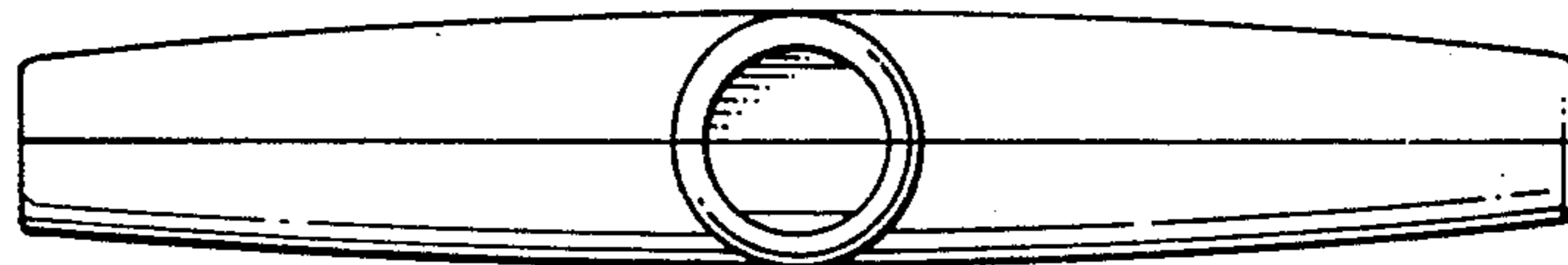


Fig. 5