

[54] MIXING BOWL OR THE LIKE

[75] Inventor: Bruno Gecchelin, Milan, Italy

[73] Assignee: F.LLI Guzzini S.p.A., Recanati, Italy

[**] Term: 14 Years

[21] Appl. No.: 491,254

[22] Filed: May 3, 1983

[30] Foreign Application Priority Data

Nov. 3, 1982 [IT] Italy 23368B/82

[52] U.S. Cl. D7/318

[58] Field of Search D7/316-319, D7/321, 322, 300, 312, 302, 50, 77, 51, 9

[56] References Cited

U.S. PATENT DOCUMENTS

- D. 97,978 12/1935 Ackerman D7/317
- D. 167,166 7/1952 Rodier D7/318
- D. 181,348 11/1957 Dube D7/318
- D. 225,792 1/1973 Fritsche et al. D7/9
- D. 236,409 8/1975 Cyren D7/319
- D. 259,011 4/1981 Daenen D7/318
- D. 262,682 1/1982 Morin D7/318

D. 271,555 11/1983 Daenen D7/316 X

OTHER PUBLICATIONS

Bloomingdale's Home/Living Catalogue, p. 5, Mix and Measure Bowl & Cup from Hoan, 3rd col.

Bloomingdale's Home/Living Catalogue, p. 5, Rosti Mixing Bowl Set, 2nd Down from left.

Good Housekeeping, Jun. 1981, Rubbermaid "Grip 'n Mix" Bowl at top.

Primary Examiner—Winifred E. Herrmann

Attorney, Agent, or Firm—Cushman, Darby & Cushman

[57] CLAIM

The ornamental design for a mixing bowl or the like, as shown and described.

DESCRIPTION

FIG. 1 is a top rear perspective view of a mixing bowl or the like showing my new design;

FIG. 2 is a rear elevational view thereof;

FIG. 3 is a front elevational view thereof;

FIG. 4 is a top plan view thereof;

FIG. 5 is a bottom plan view thereof; and

FIG. 6 is a side elevational view thereof, the side opposite is a mirror image thereof.

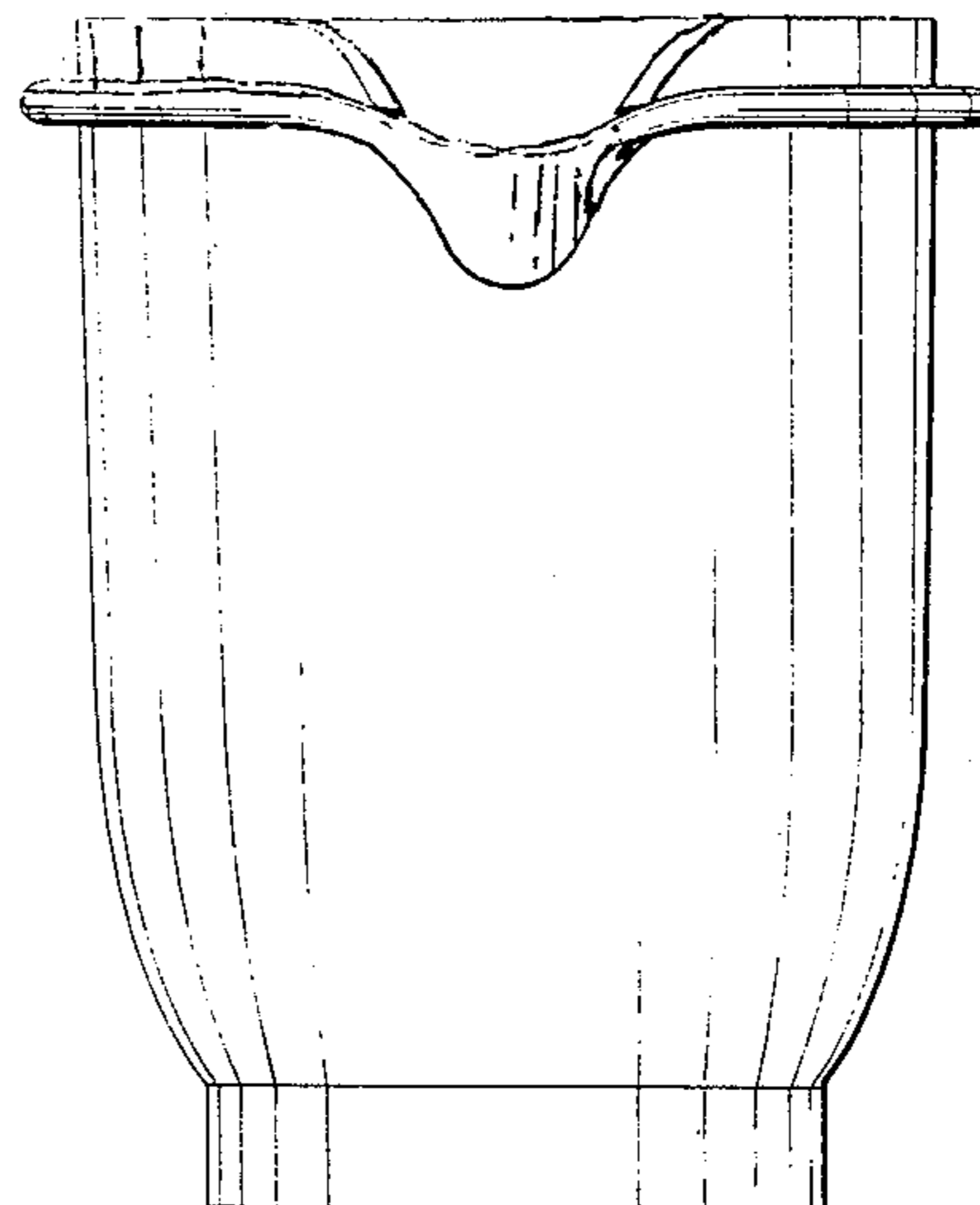
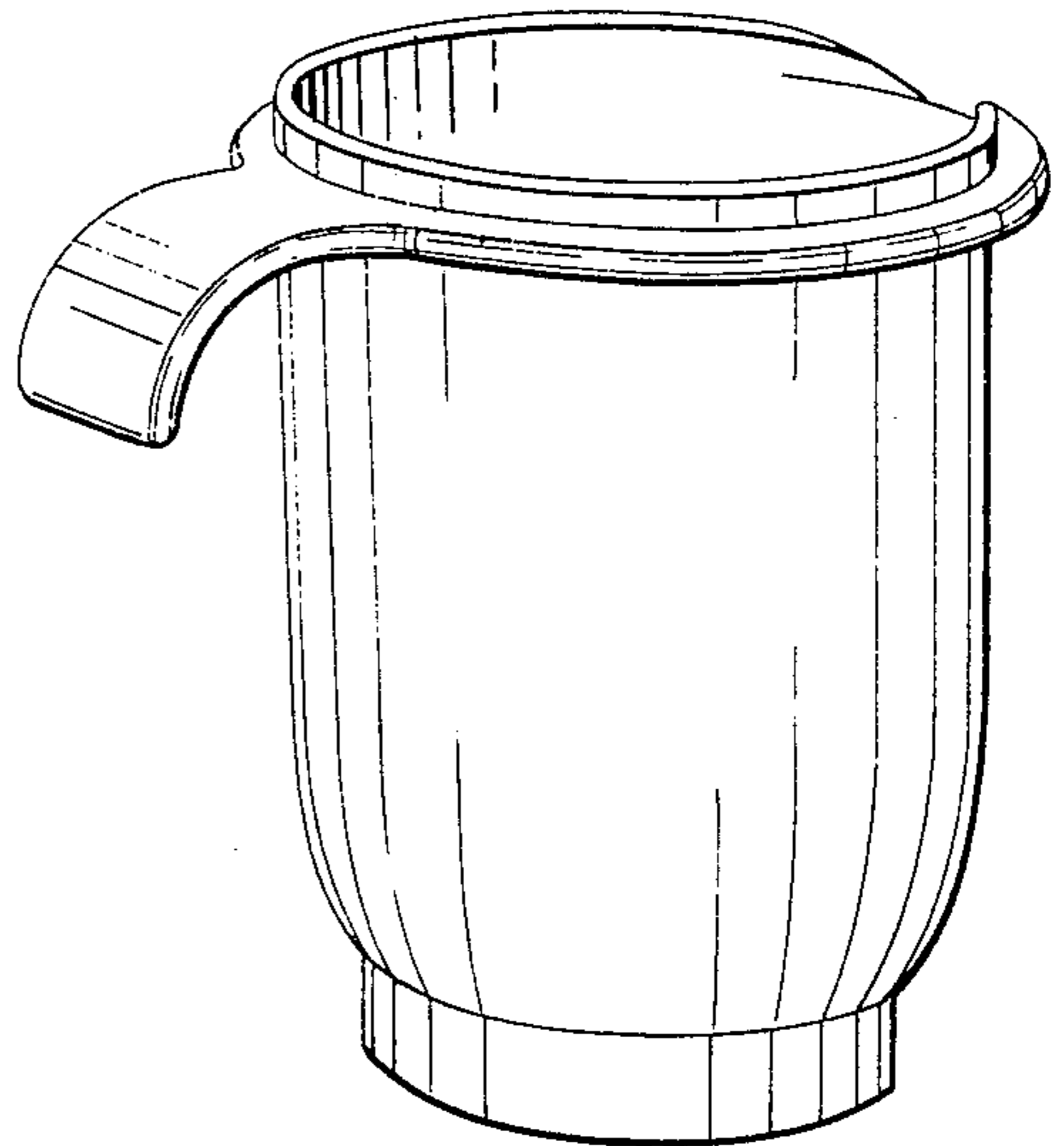
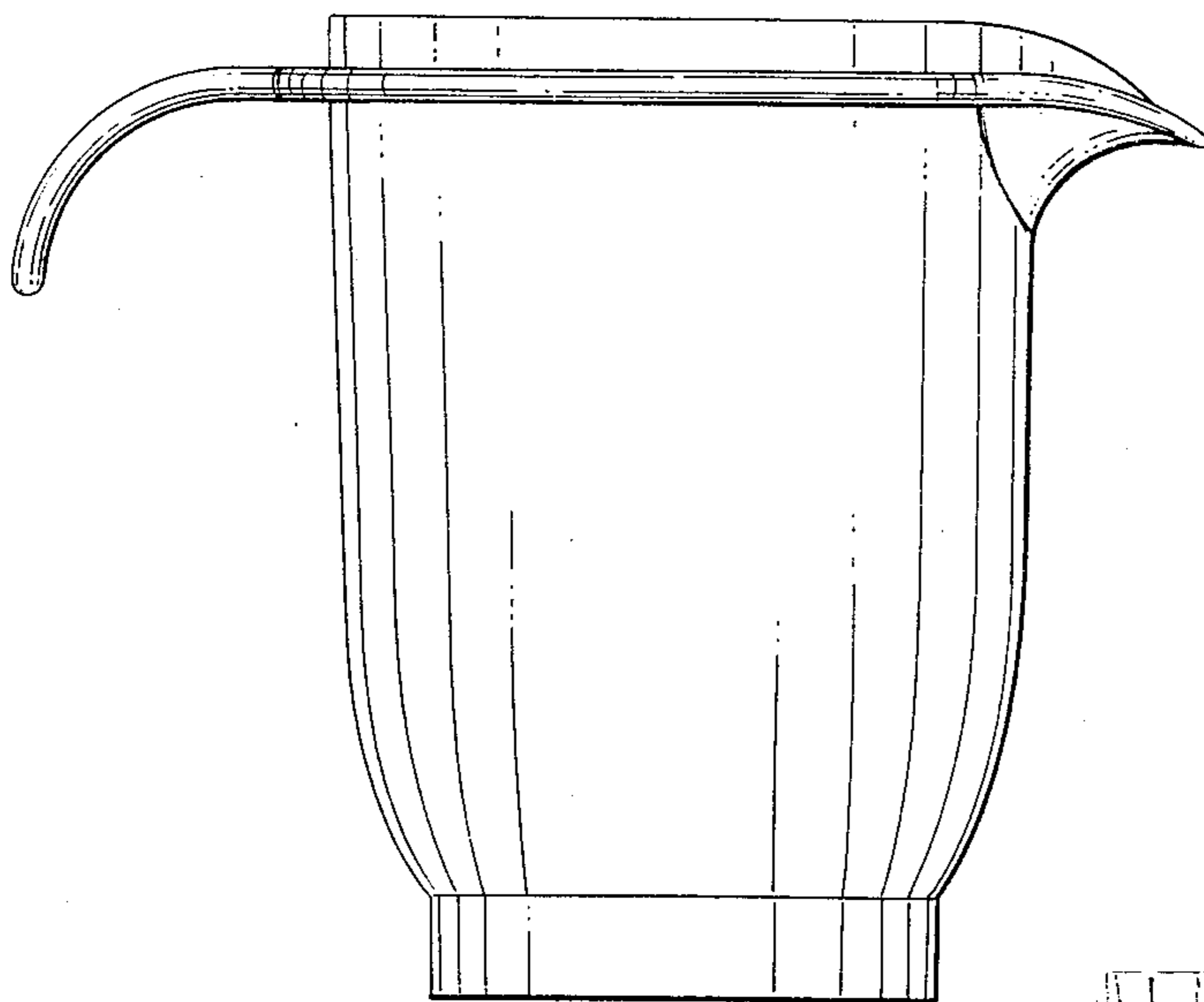


Fig.1

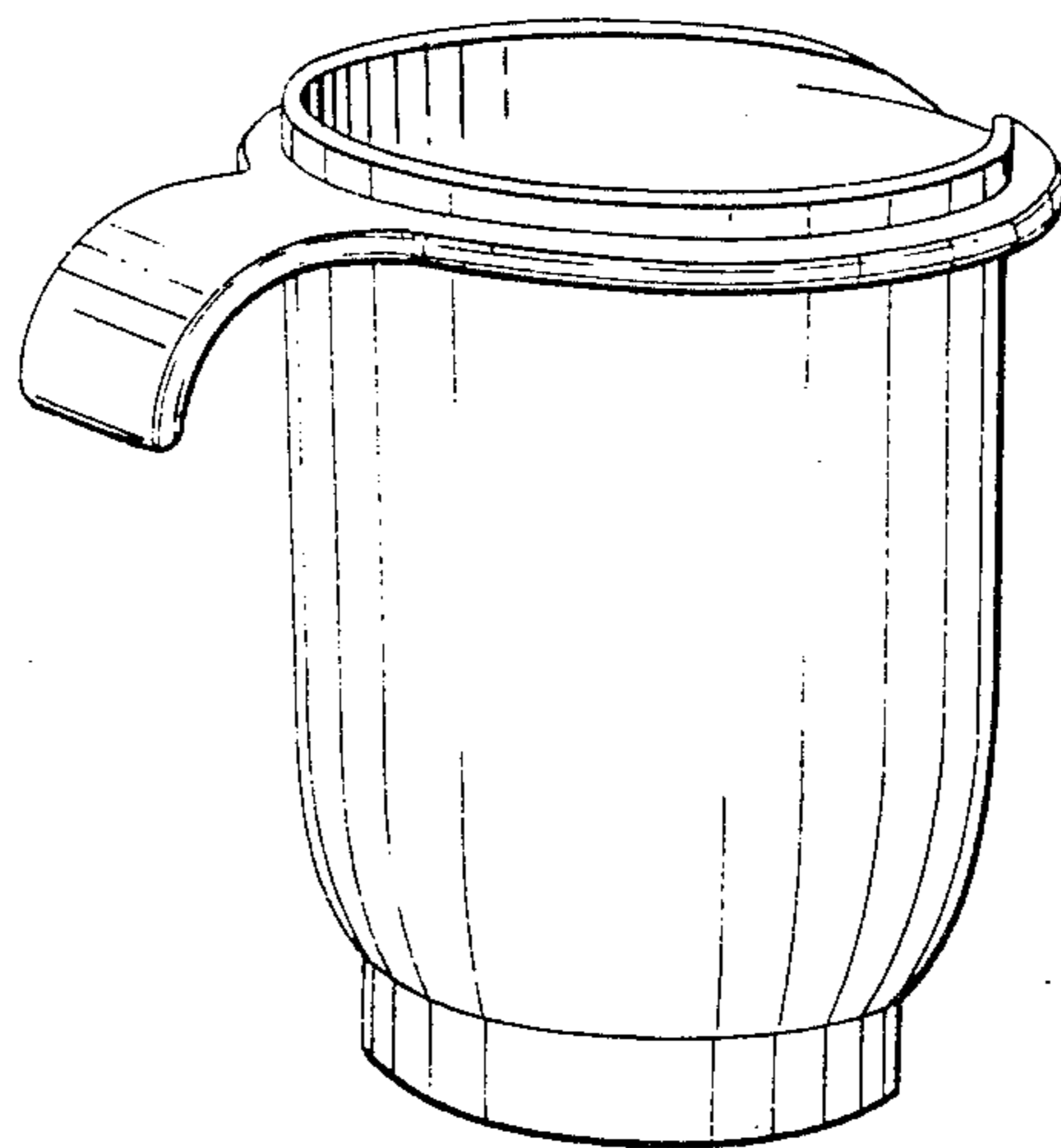


Fig.2

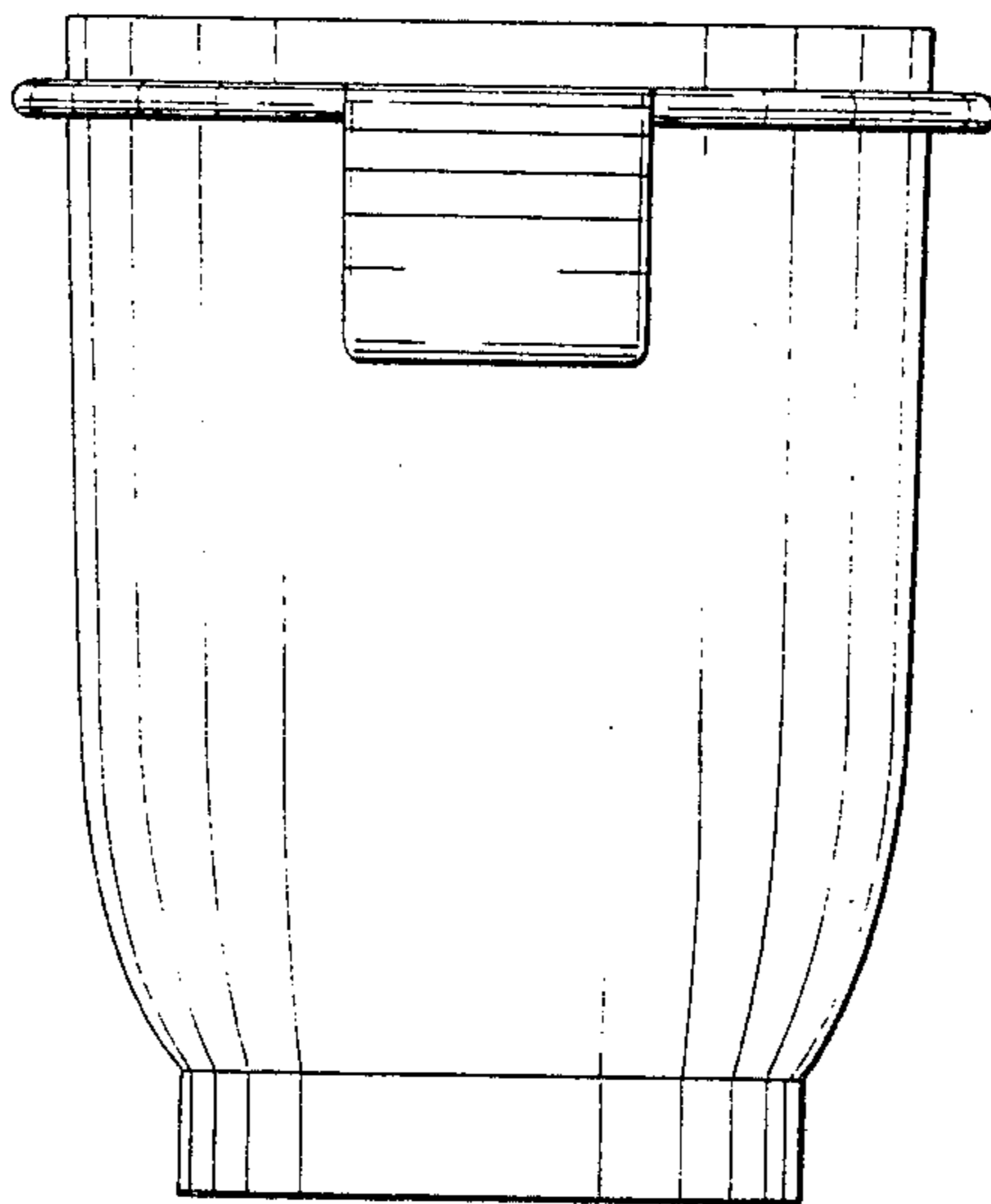


Fig. 3

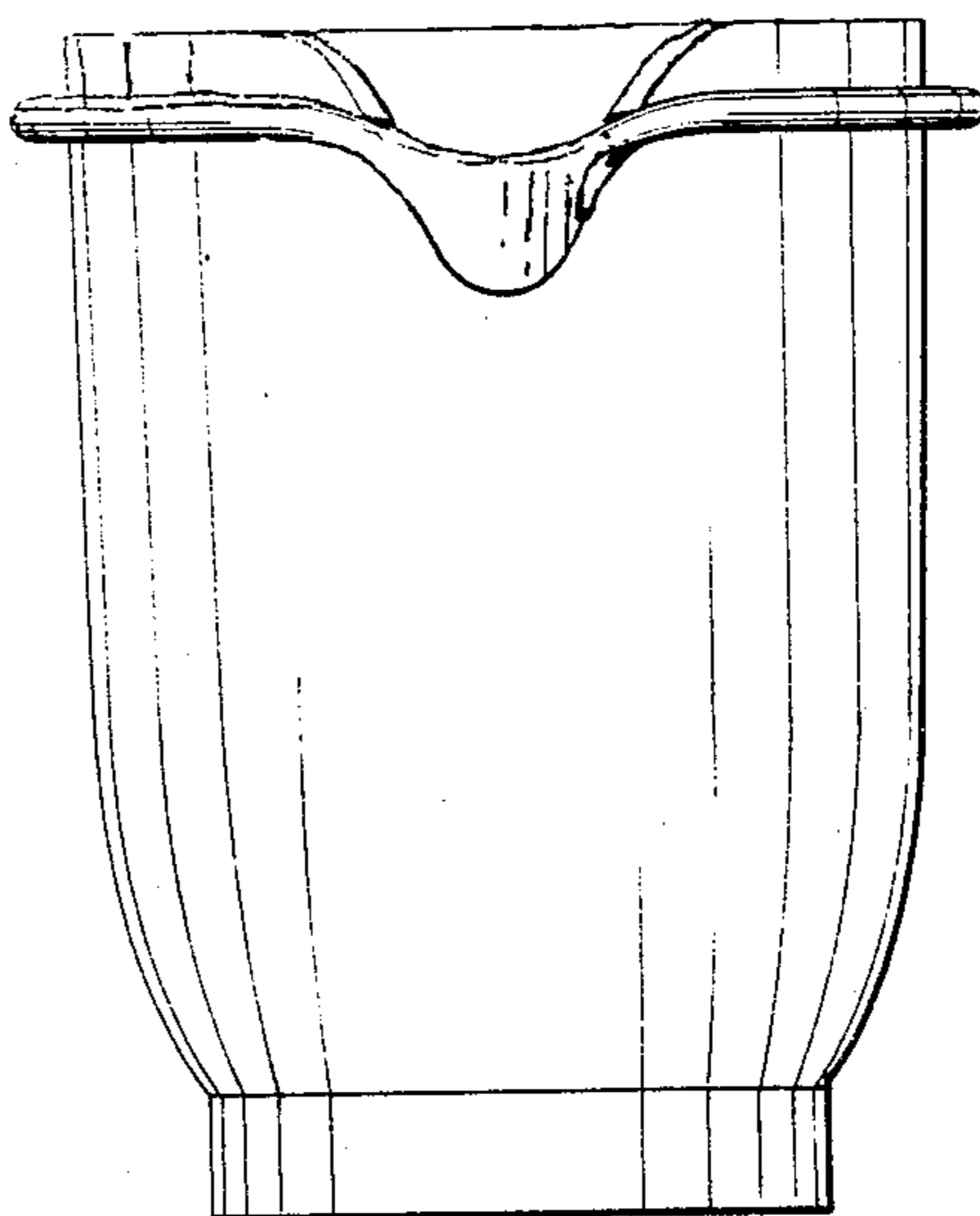


Fig. 4

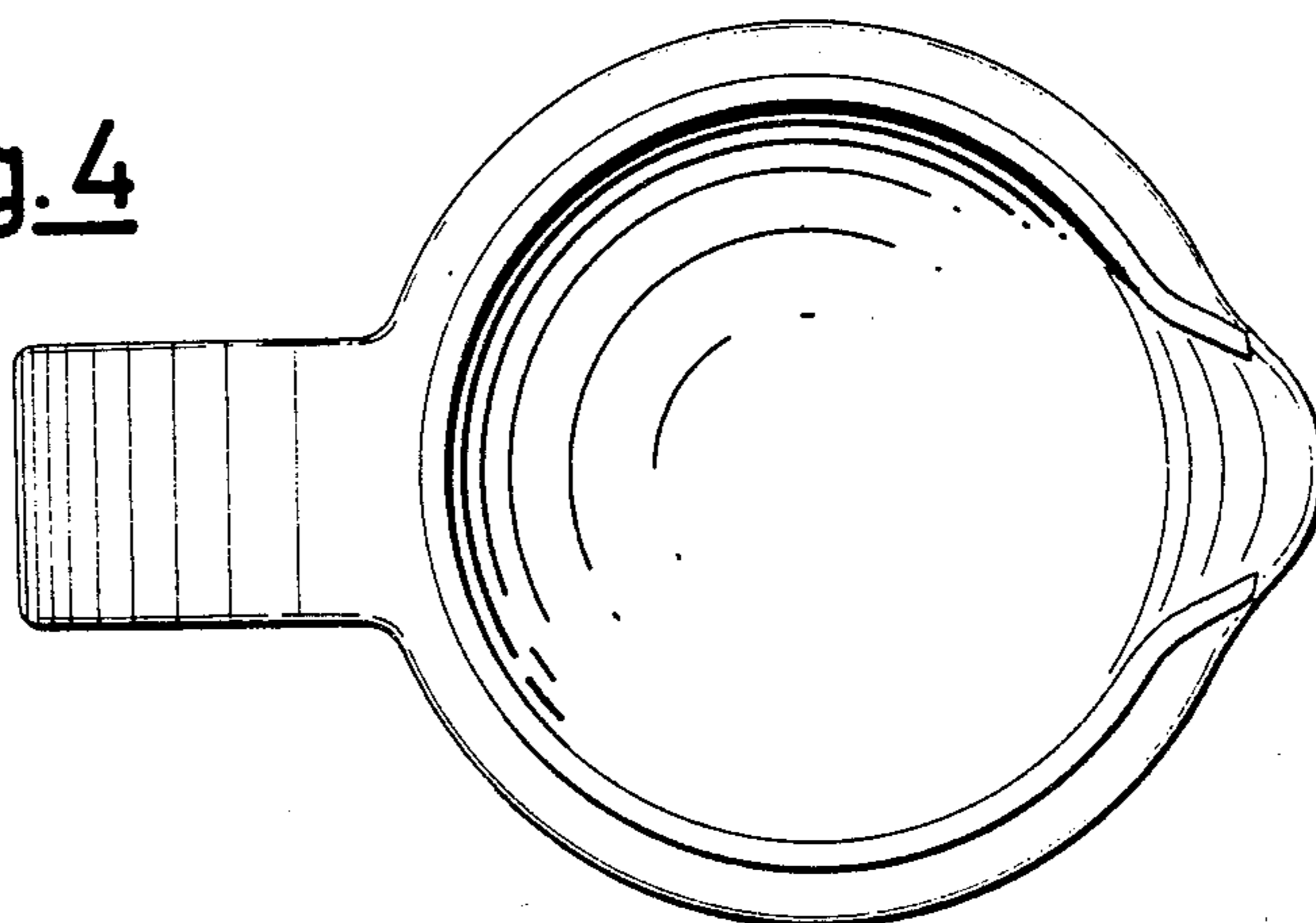


Fig. 5

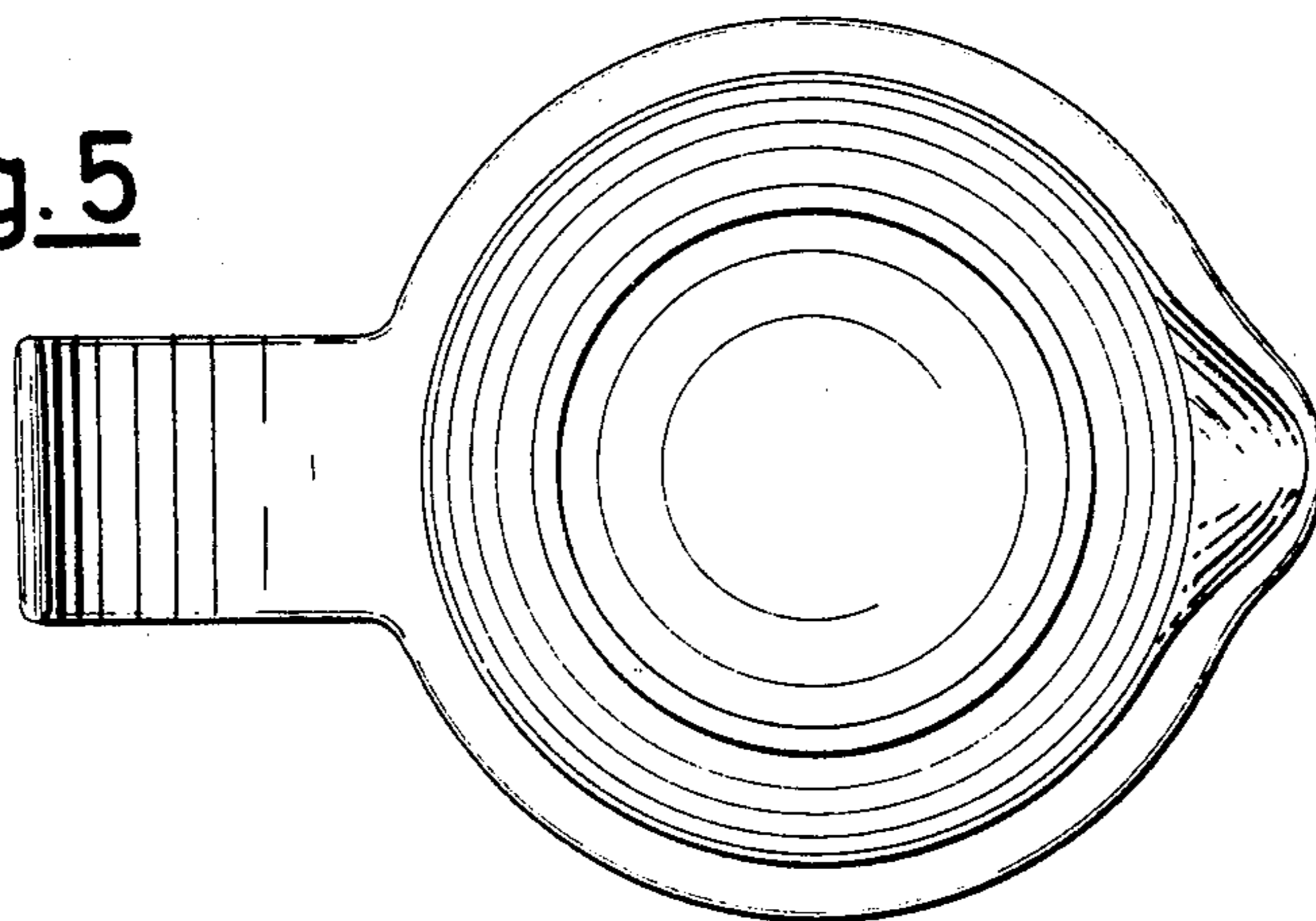


Fig. 6

