

[54] TACO SERVER

[76] Inventors: Joseph J. Zajac; Mary L. Zajac, both of 2410 Camelot Dr., Brookfield, Wis. 53005

[**] Term: 14 Years

[21] Appl. No.: 435,556

[22] Filed: Dec. 8, 1982

[52] U.S. Cl. D7/38

[58] Field of Search D7/27, 38, 1, 37, 19, D7/20, 76, 70; 220/23.8, 20

[56] References Cited

U.S. PATENT DOCUMENTS

- D. 204,148 3/1966 Boyd D7/38
- D. 259,010 4/1981 Klatt D7/38

- D. 266,816 11/1982 Schupp D7/27
- D. 270,027 8/1983 Fox D7/38
- D. 270,130 8/1983 Fox D7/38
- 3,305,126 2/1967 Cease D7/38 X

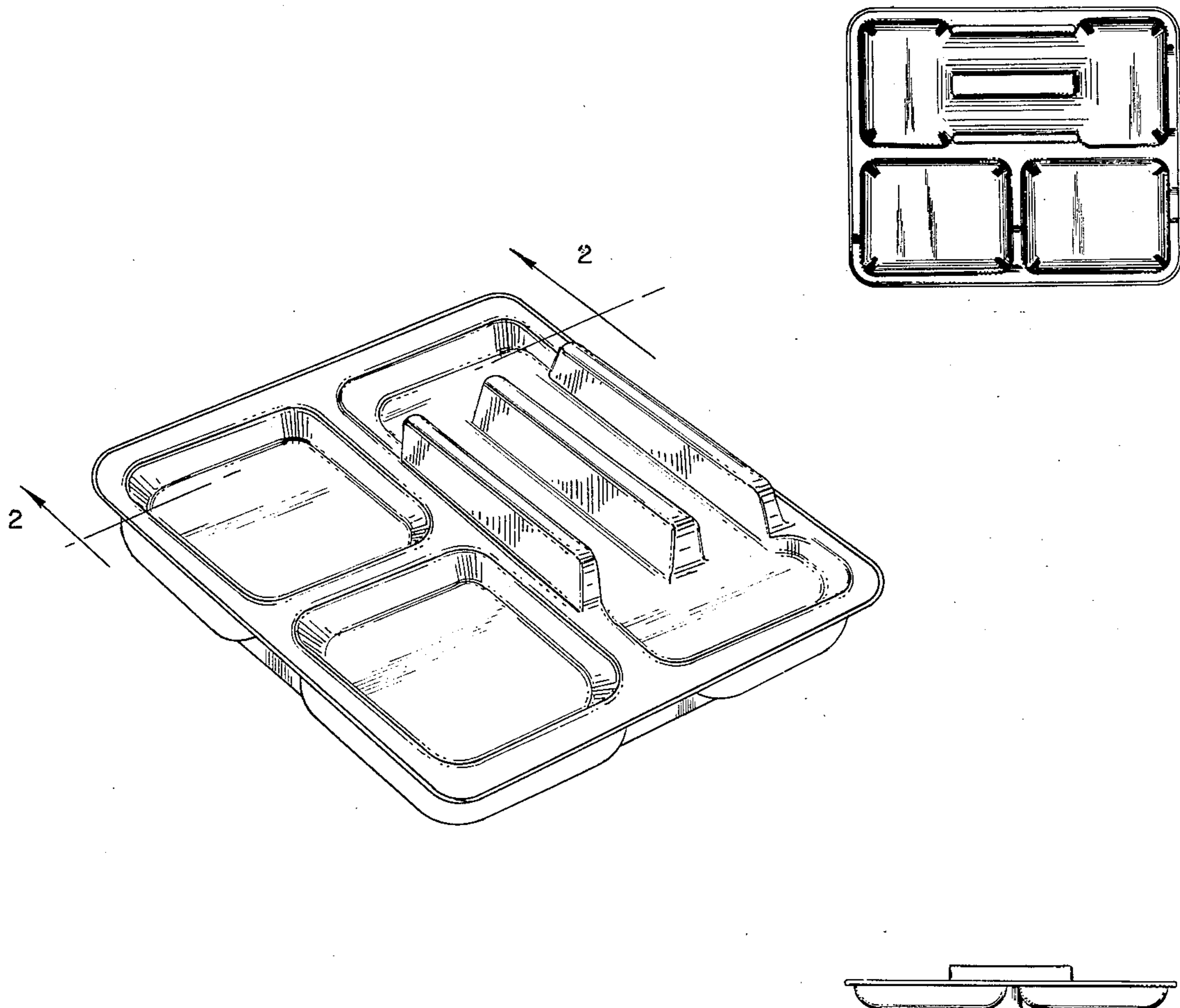
Primary Examiner—Winifred E. Herrmann
Attorney, Agent, or Firm—Richard C. Litman

[57] CLAIM

The ornamental design for a taco server, as shown.

DESCRIPTION

FIG. 1 is a top perspective view of a taco server showing our new design;
 FIG. 2 is a cross-sectional view thereof taken on line 2—2 of FIG. 1 on an enlarged scale;
 FIG. 3 is a top plan view thereof;
 FIG. 4 is a right or left side elevational view of FIG. 3;
 FIG. 5 is a bottom plan view thereof; and
 FIG. 6 is a front elevational view of FIG. 3.



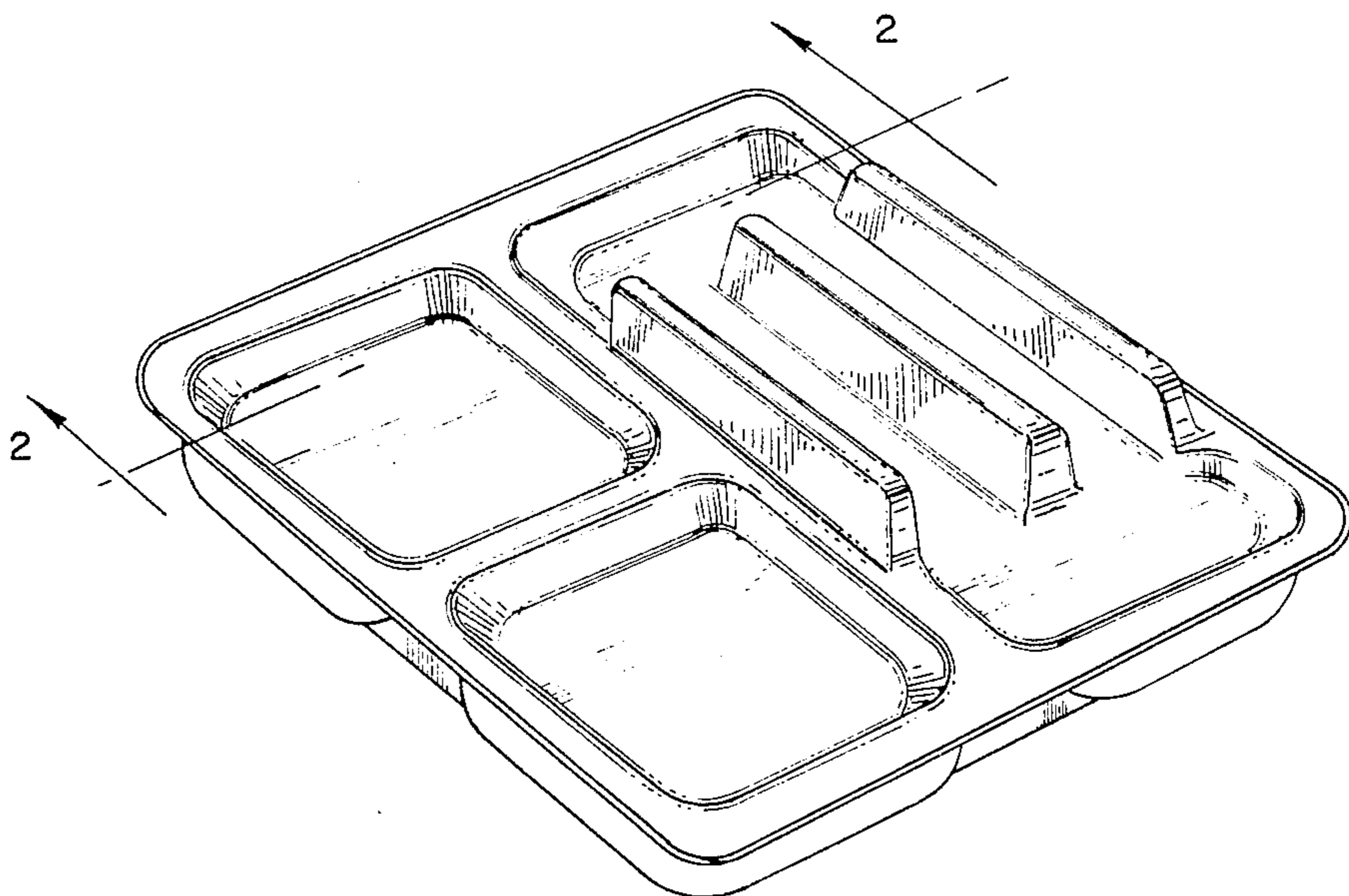


FIG. 1



FIG. 2

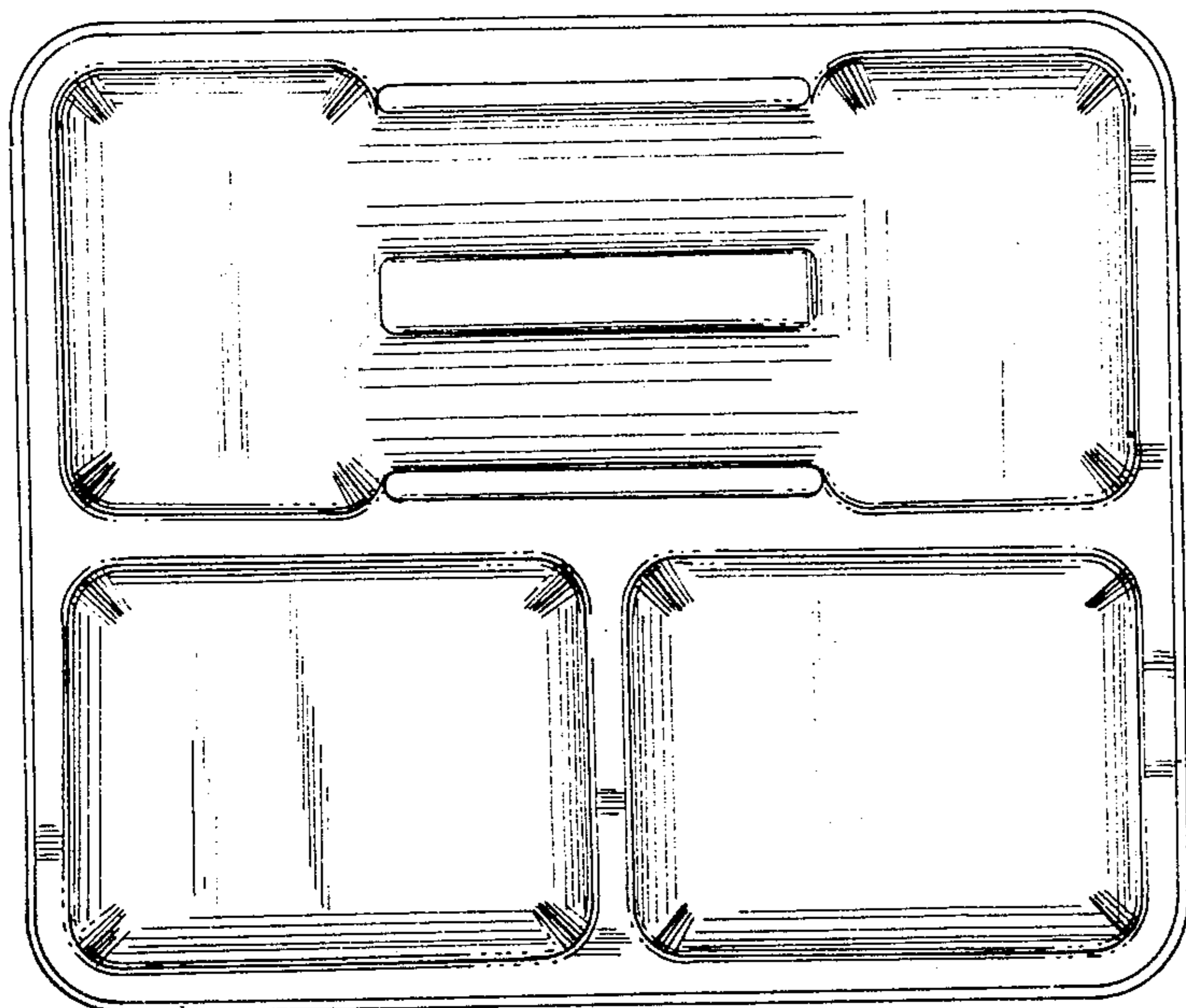


FIG. 3

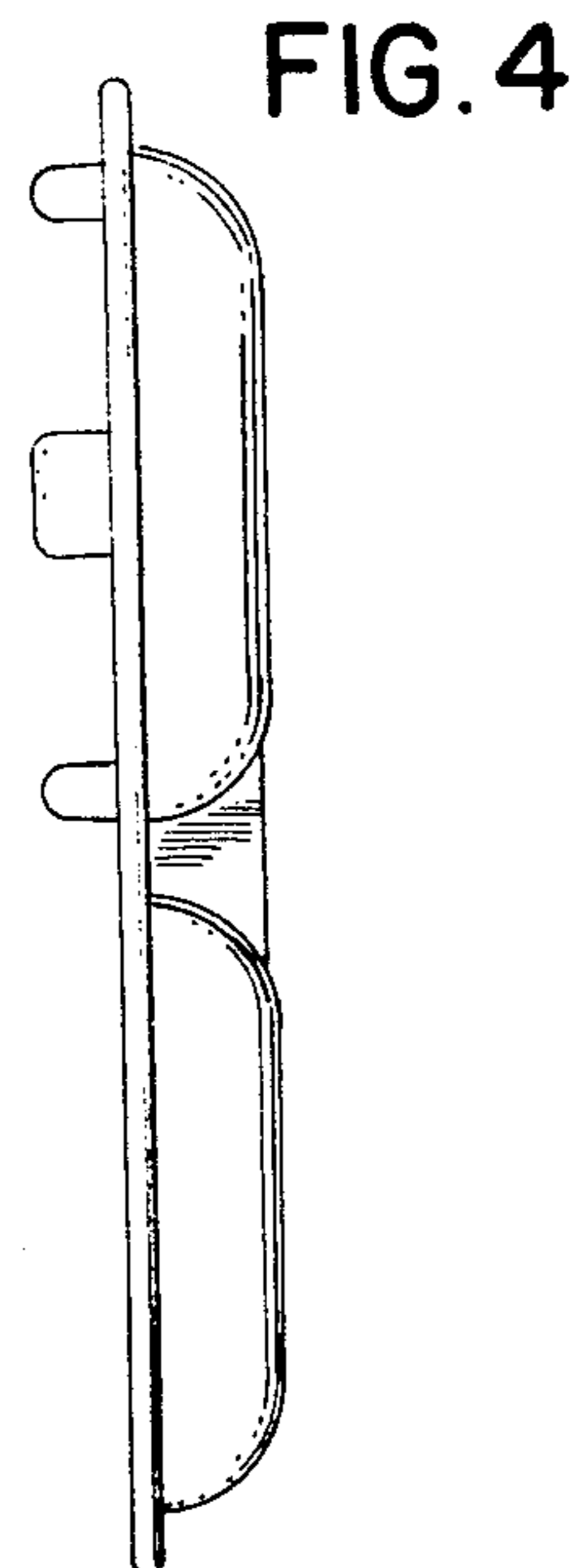


FIG. 4

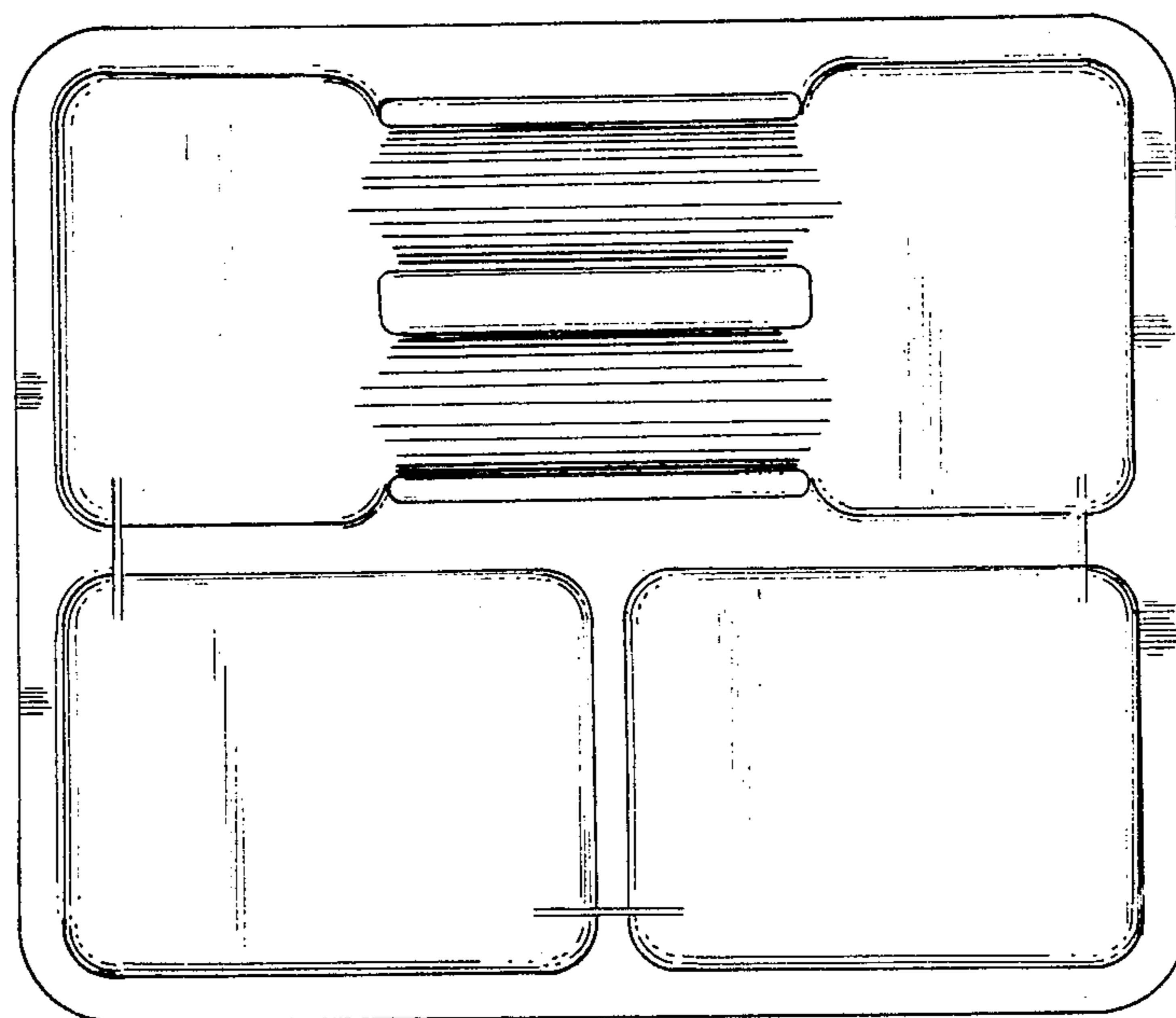


FIG. 5

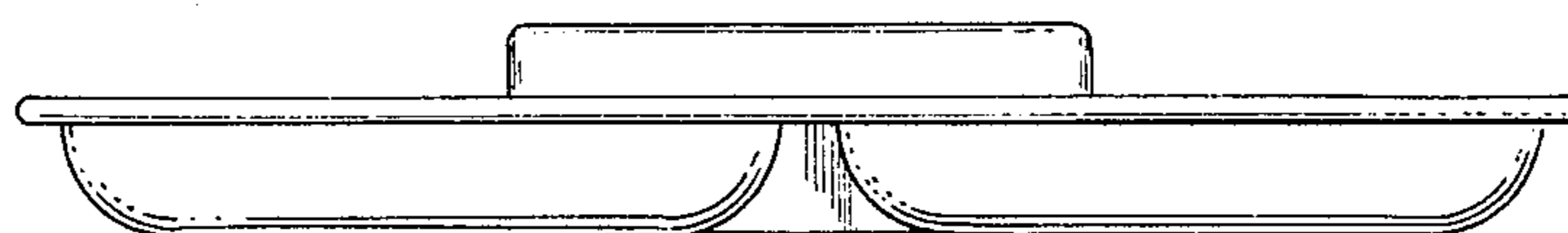


FIG. 6