

[54] TABLE

[75] Inventor: Richard D. Berry, Jr., Hickory, N.C.

[73] Assignee: Design Institute America, Inc.,
Montpelier, Ohio

[**] Term: 14 Years

[21] Appl. No.: 512,216

[22] Filed: Jul. 11, 1983

[52] U.S. Cl. D6/479; D6/484;
D6/430

[58] Field of Search D6/405, 449, 460, 461,
D6/465, 474, 477, 480, 484, 487, 488, 429, 479

[56] References Cited

U.S. PATENT DOCUMENTS

- D. 166,991 6/1952 Ovendale D6/474
- D. 188,401 7/1960 Lux D6/474

- D. 236,054 7/1975 Ginat D6/479
- D. 254,826 4/1980 Crespi D6/474
- D. 258,177 2/1981 Baker D6/478
- D. 260,339 8/1981 Yoshizawa D6/429

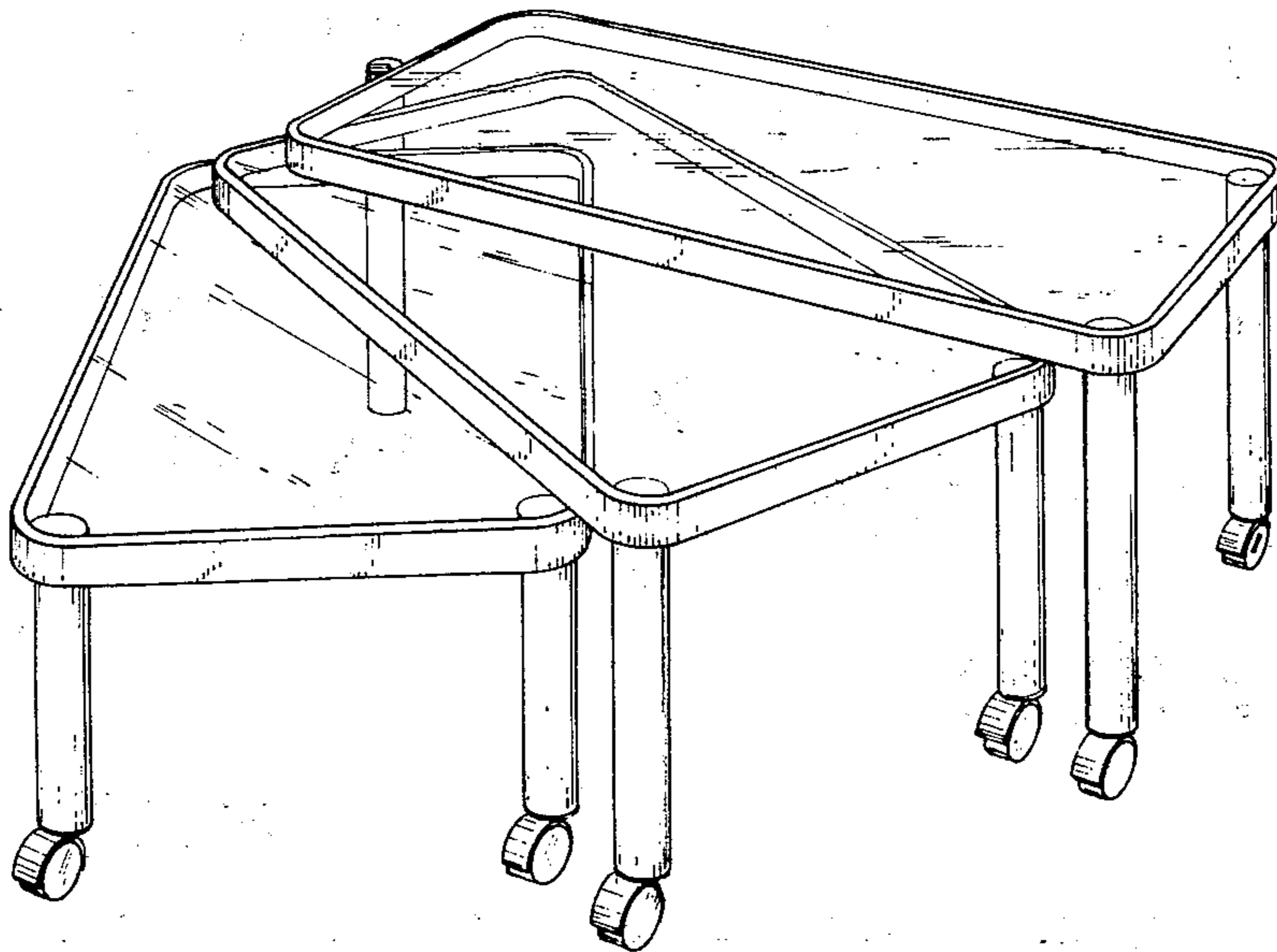
Primary Examiner—Bruce W. Dunkins
Attorney, Agent, or Firm—Marshall & Melhorn

[57] CLAIM

The ornamental design for a table, as shown.

DESCRIPTION

FIG. 1 is a perspective view of a table embodying my new design;
 FIG. 2 is a top plan view thereof;
 FIG. 3 is a front elevational view thereof;
 FIG. 4 is a side elevational view taken from the right-hand side of FIG. 3;
 FIG. 5 is a side elevational view taken from the left-hand side of FIG. 3; and
 FIG. 6 is a rear elevational view thereof.



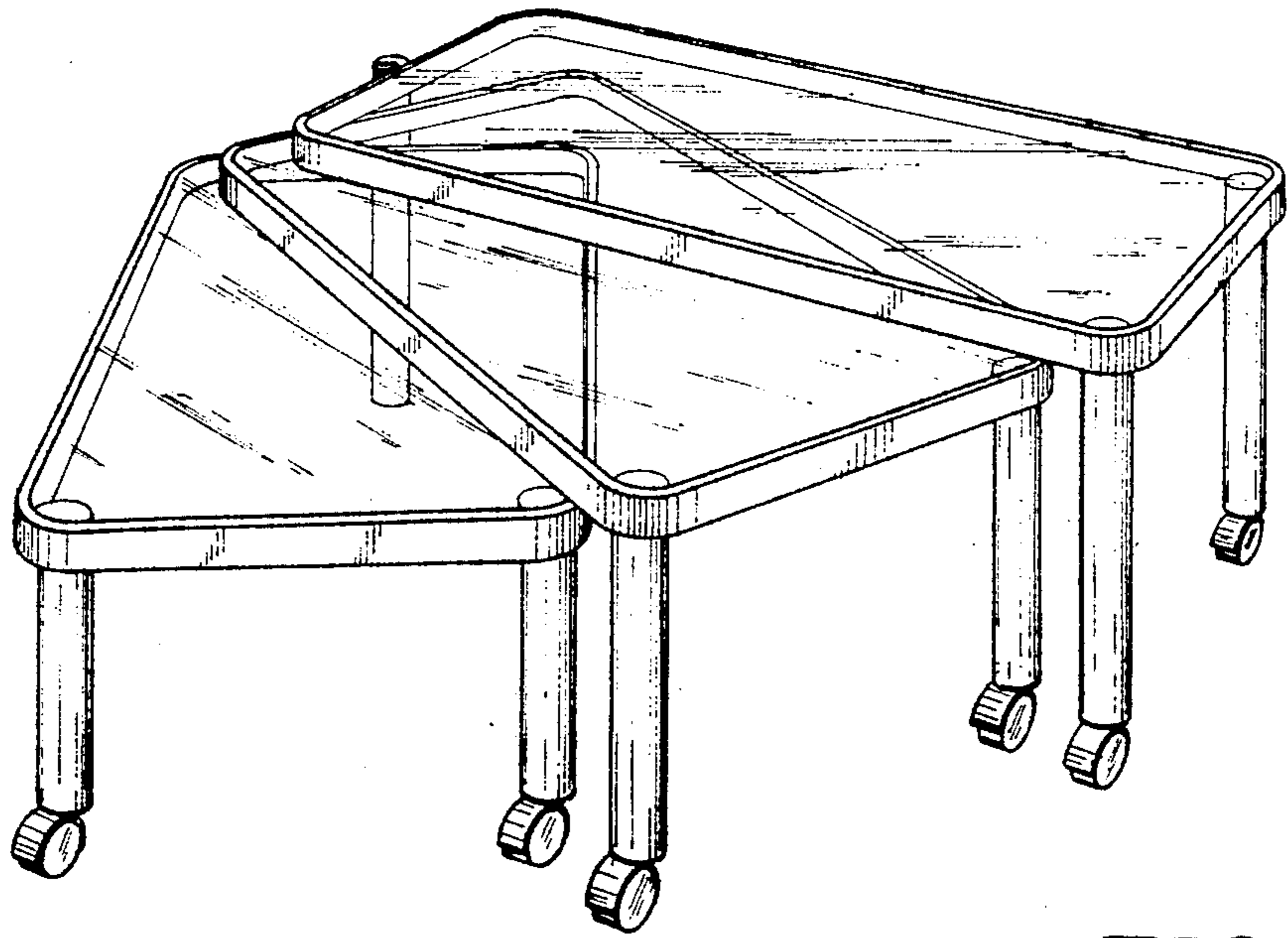


FIG. 1

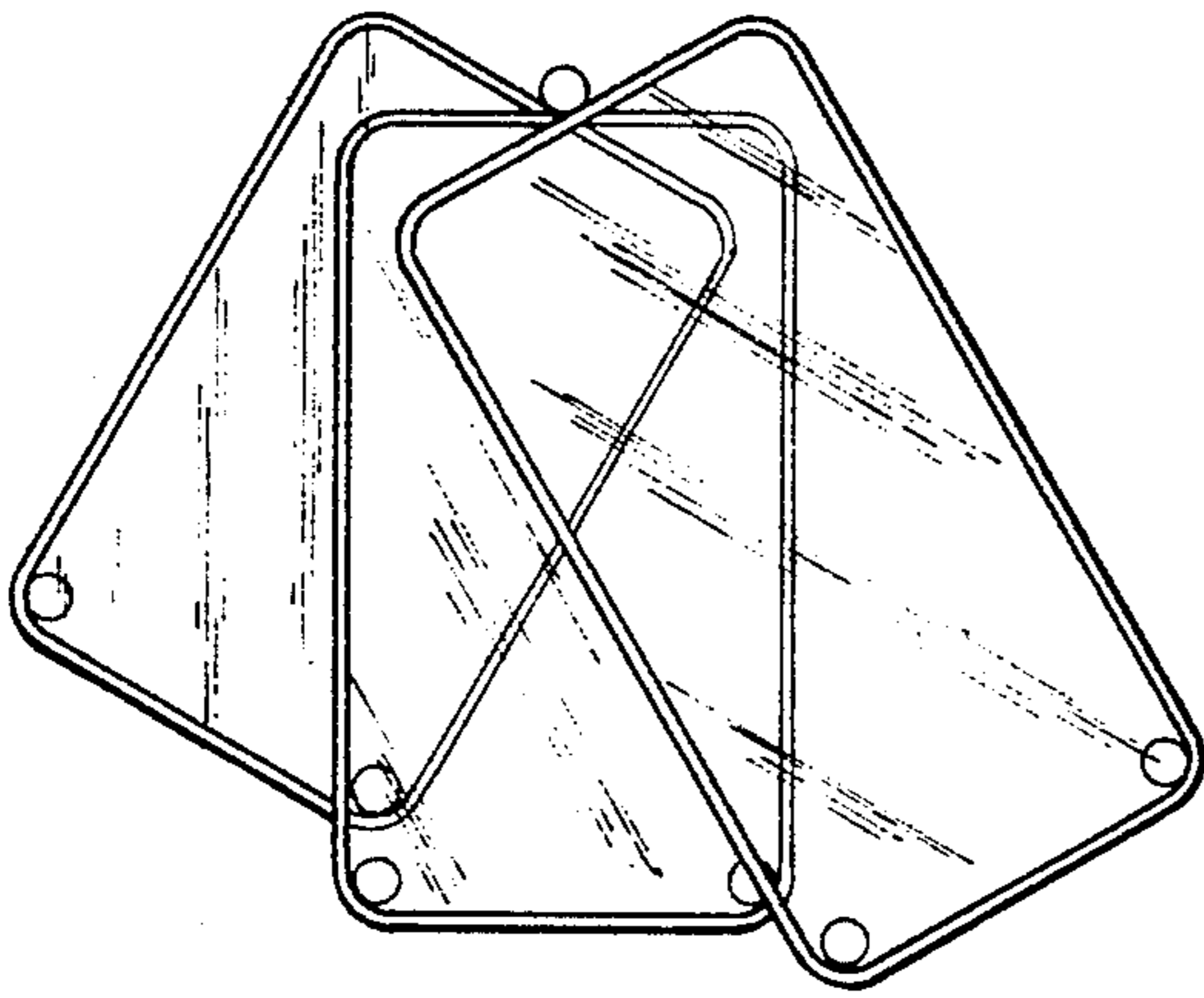


FIG. 2

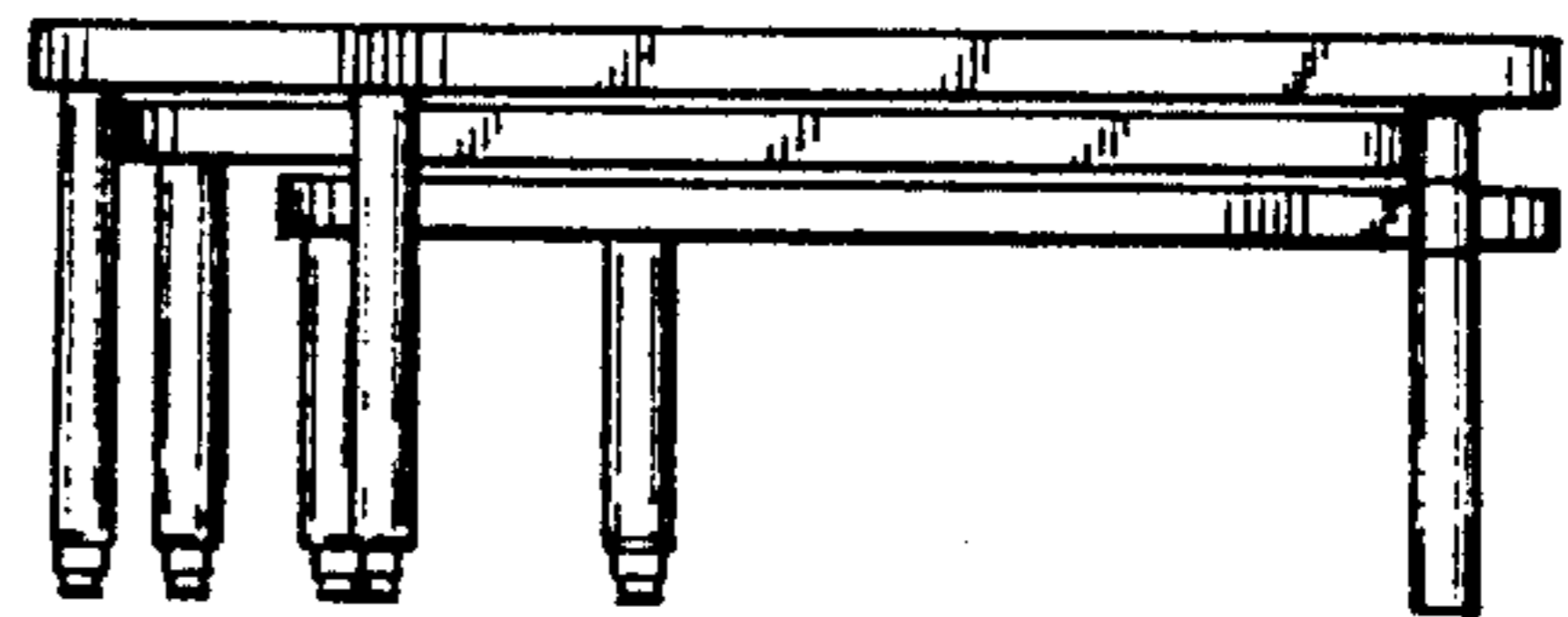


FIG. 4

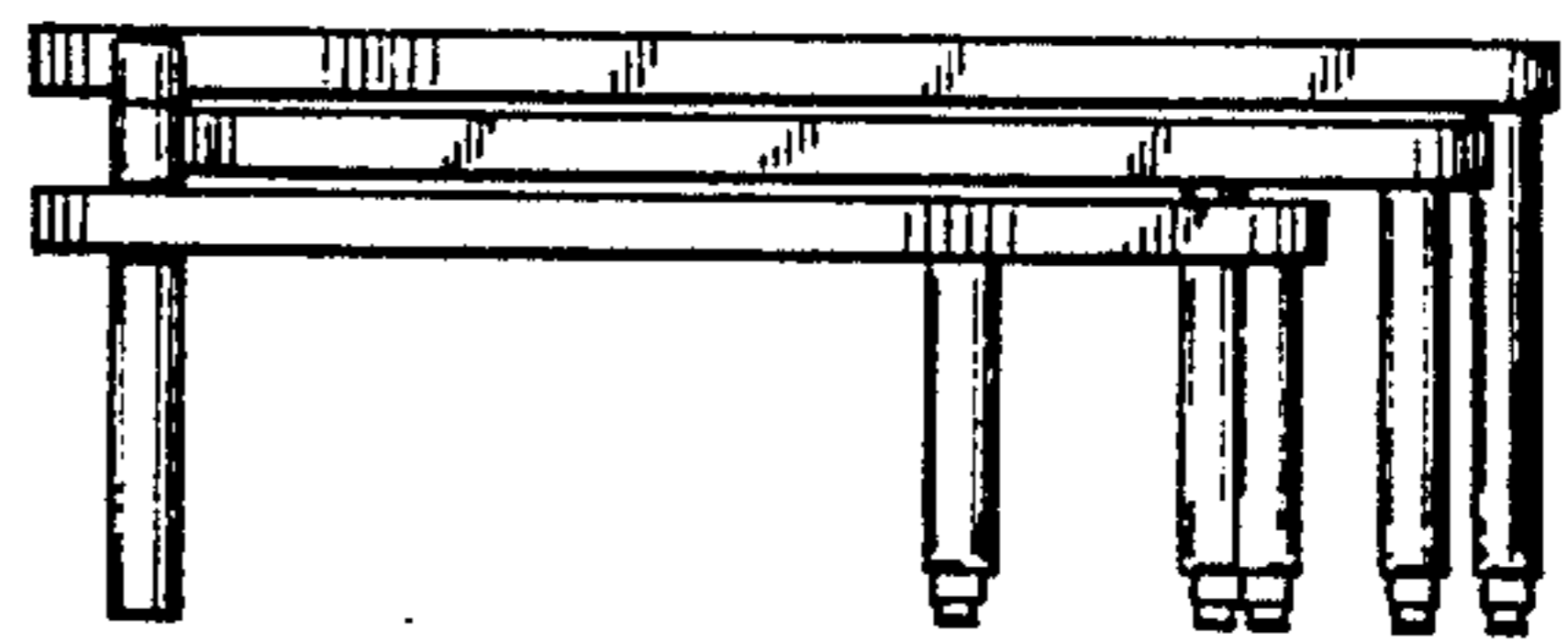


FIG. 5

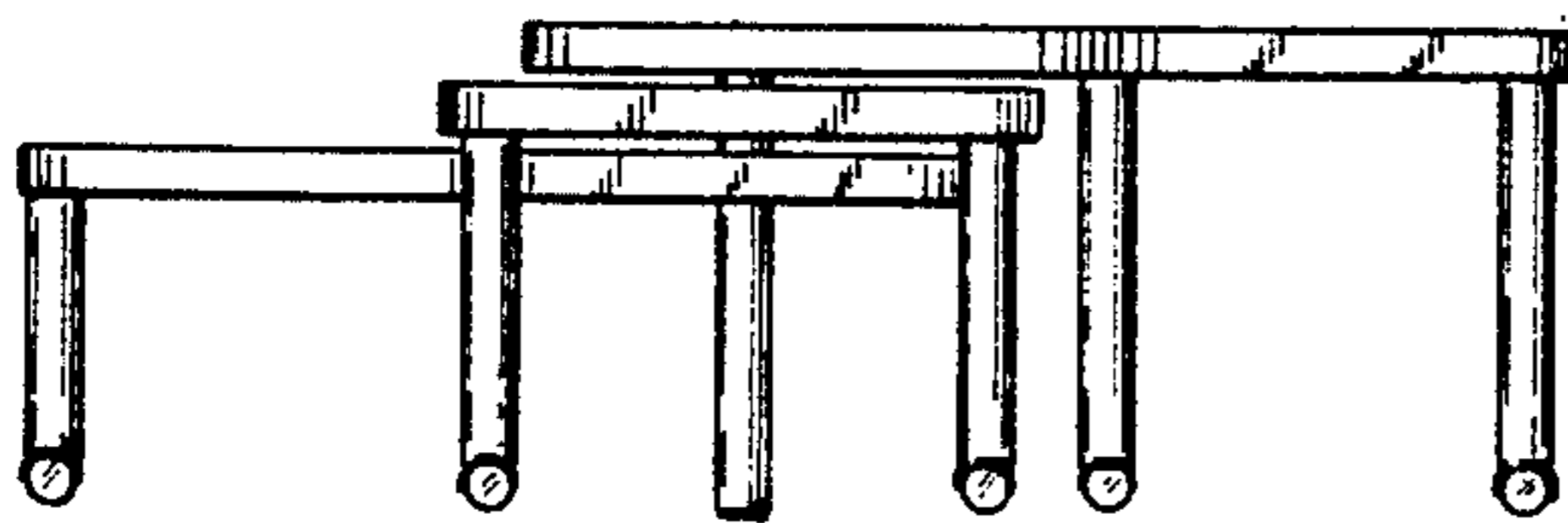


FIG. 3

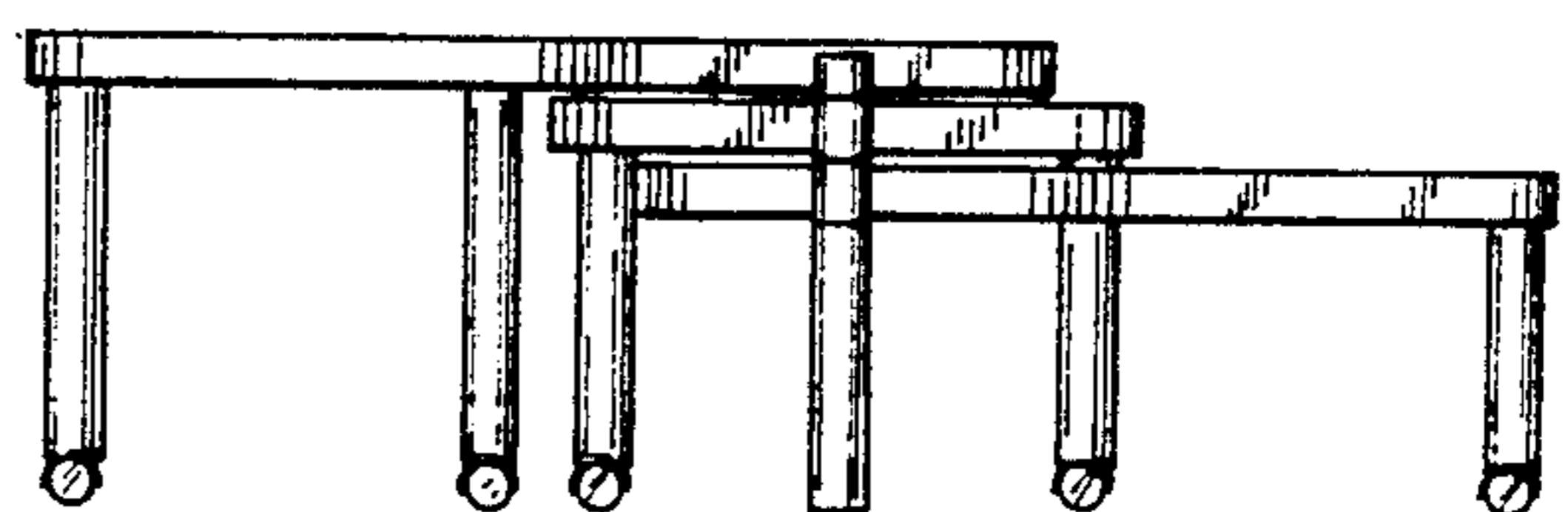


FIG. 6