

[54] CAMERA CASE

[76] Inventor: Larry Huston, 40 E. 21st St., New York, N.Y. 10010

[\*\*] Term: 14 Years

[21] Appl. No.: 444,797

[22] Filed: Nov. 26, 1982

[52] U.S. Cl. .... D3/33; D3/48; D3/77

[58] Field of Search ..... D3/30.1, 33, 35, 48, D3/71, 74, 76, 77; 150/52R, 52 J

[56] References Cited

U.S. PATENT DOCUMENTS

- D. 234,410 2/1975 Rosenblum ..... D3/48
- D. 269,227 6/1983 Stark ..... D3/48

- D. 270,306 8/1983 Stark ..... D3/48
- 2,858,751 11/1958 Lopez ..... 150/52 J
- 2,988,125 6/1961 Reynolds ..... D3/33
- 4,403,638 9/1983 Baum ..... 150/52 J

Primary Examiner—George P. Word  
Attorney, Agent, or Firm—Philip Furgang

[57] CLAIM

The ornamental design for a camera case, as shown and described.

DESCRIPTION

FIG. 1 is a perspective view of a camera case showing my new design;  
FIG. 2 is a right side elevational view thereof;  
FIG. 3 is a top plan view thereof;  
FIG. 4 is a rear perspective view thereof; and  
FIG. 5 is a bottom plan view thereof.

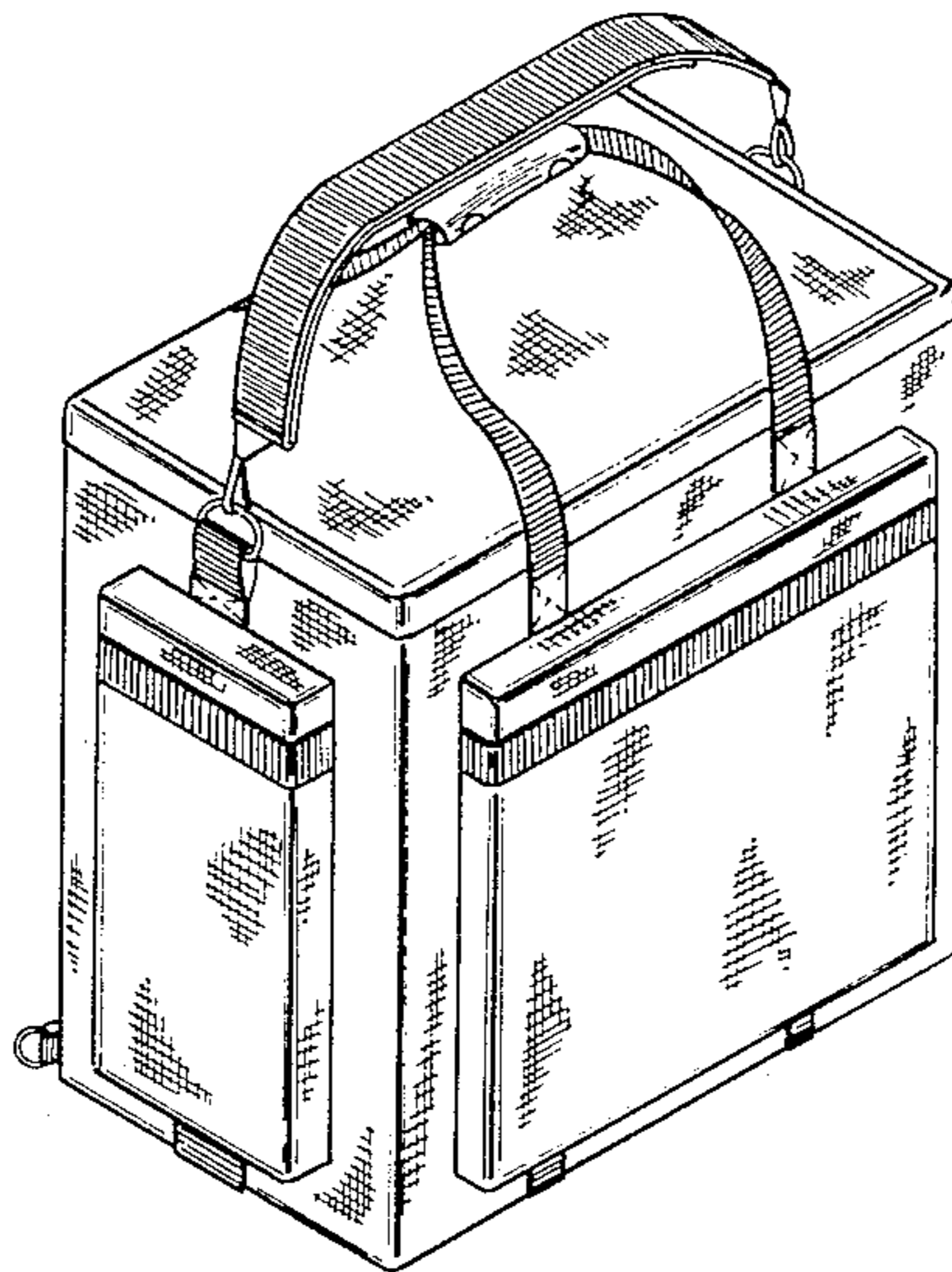


FIG. 1

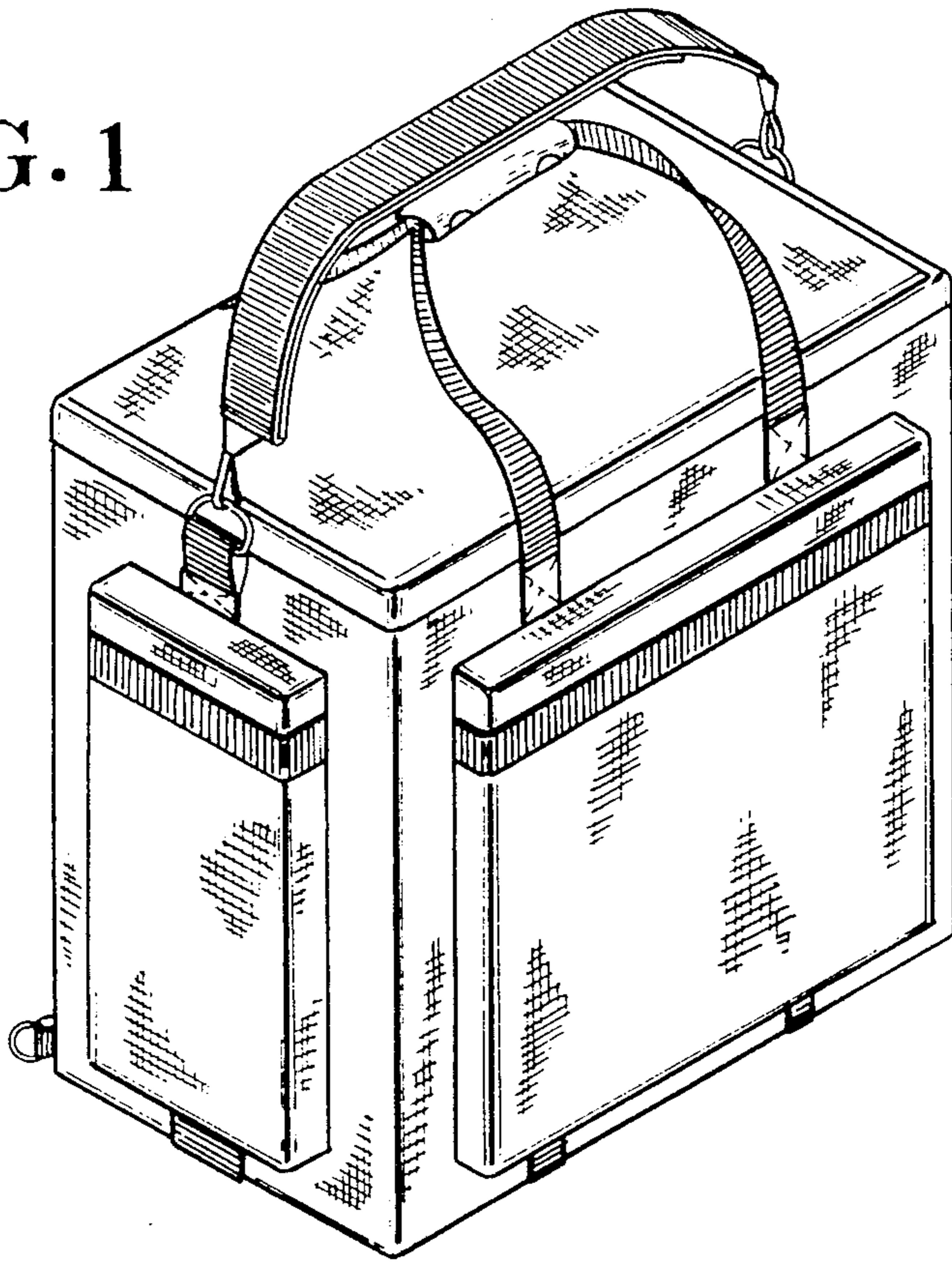


FIG. 2

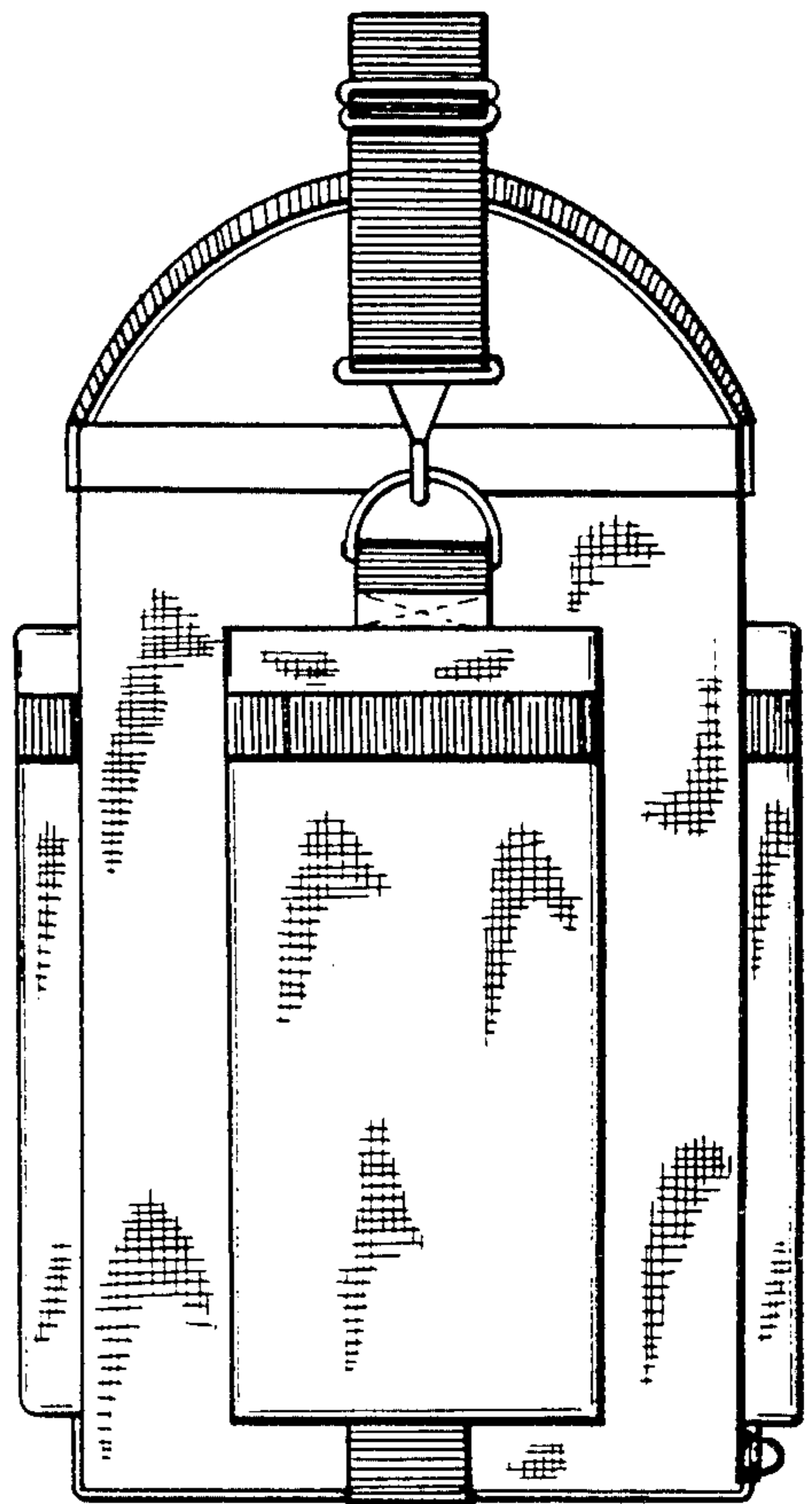


FIG. 3

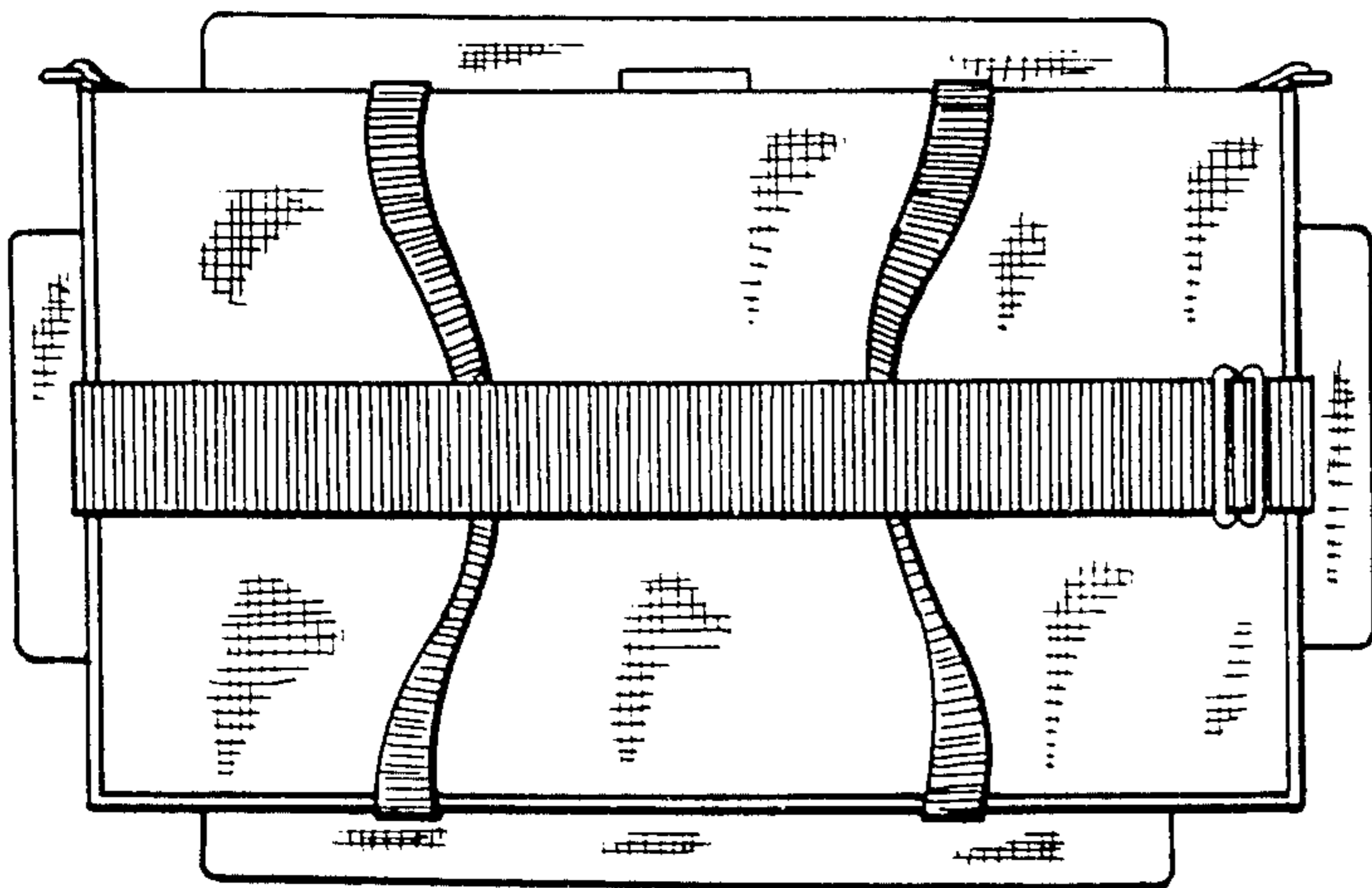


FIG. 4

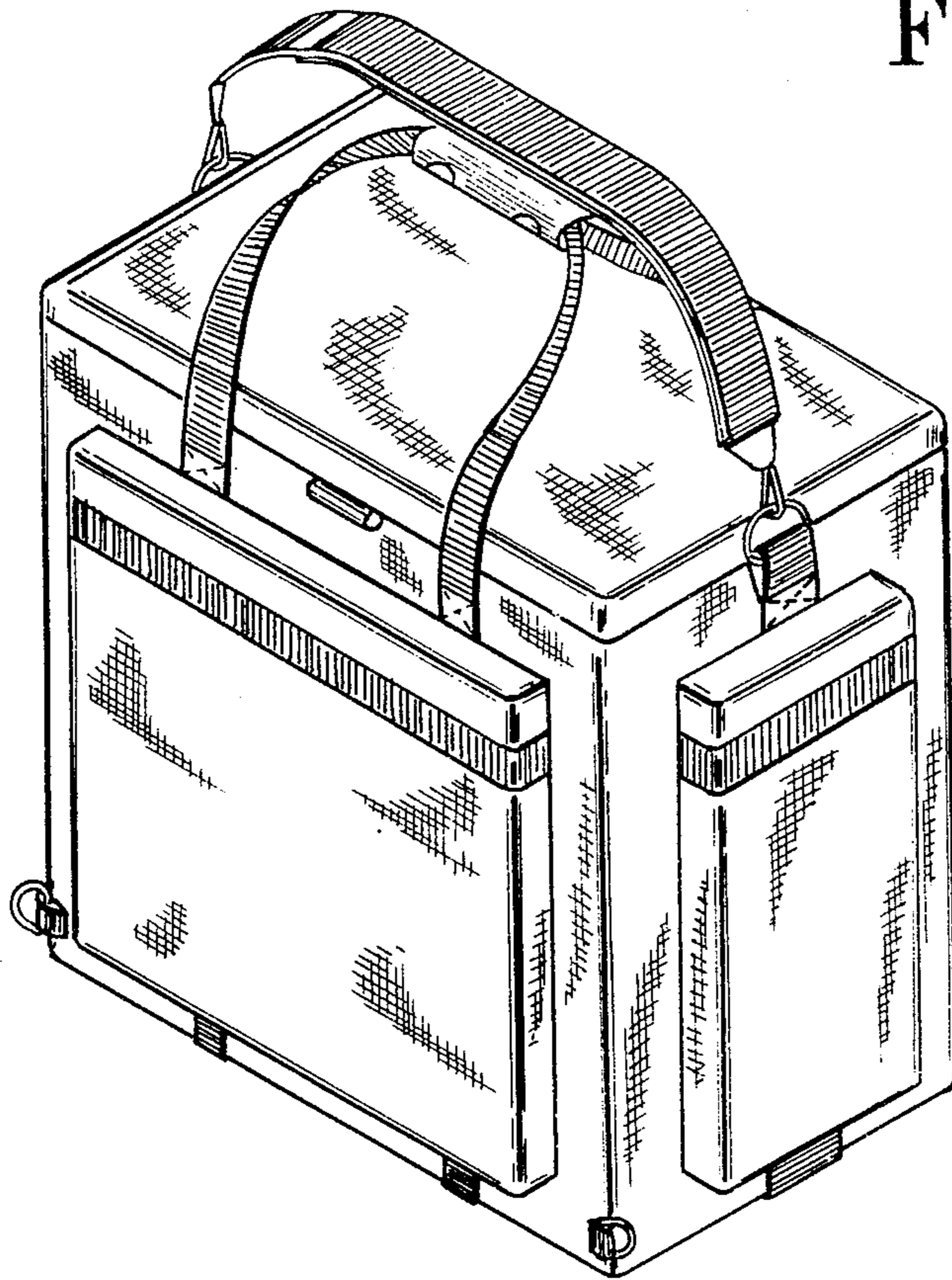


FIG. 5

